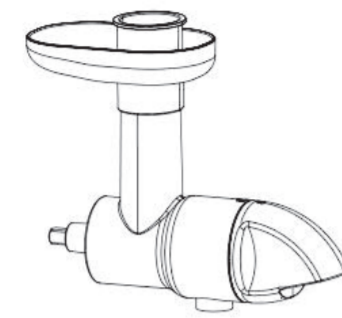




INSTRUCTION MANUAL



Juicing Attachment Model No.:P-003A

PLEASE READ INSTRUCTIONS CAREFULLY BEFORE ASSEMBLY
RETAIN THIS MANUAL FOR FUTURE REFERENCE

CONTENTS

IMPORTANT SAFEGUARDS.....02
 COMPONENTS.....03
 TO ASSEMBLE.....03
 TO ATTACH.....04
 MAINTENANCE.....06
 WARRANTY.....07


IMPORTANT SAFEGUARDS

When using electrical appliances, basic safety precautions should always be followed, including the following:

1. Read all instructions.
2. To protect against risk of electrical shock, do not put mixer in water or other liquid.
3. This appliance is not intended for use by persons (including children) with reduced physical, sensory, or mental capabilities, or lack of experience or knowledge, unless they are closely supervised and instructed concerning use of the appliance by a person responsible for their safety. Close supervision is necessary when any appliance is used by or near children. Children should be supervised to ensure that they do not play with the appliance.
4. Avoid contacting moving parts. Keep fingers out of discharge opening.
5. Do not operate the mixer with a damaged cord or plug or after the mixer malfunctions, or is dropped or damaged in any manner.
6. The use of attachments not recommended or sold by us may cause fire, electric shock, or injury.
7. Do not use the mixer outdoors.
8. Do not let the cord hang over the edge of table or counter.
9. Never feed food by hand. Always use food pusher.
10. Blades are sharp. Handle carefully.

Your safety and the safety of others are very important.

We have provided many important safety messages in this manual and on your appliance. Always read and obey all safety messages.

 This is the safety alert symbol. This symbol alerts you to potential hazards that can kill or hurt you and others.

All safety messages will follow the safety alert symbol and either the word "DANGER" or "WARNING." These words mean:

DANGER You can be killed or seriously injured if you don't immediately follow instructions.

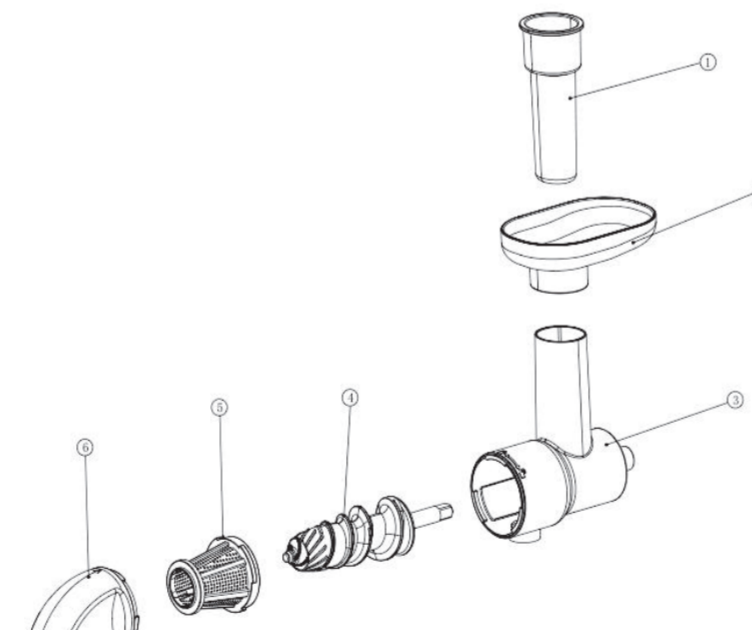
WARNING You can be killed or seriously injured if you don't follow instructions.

All safety messages will tell you what the potential hazard is, tell you how to reduce the chance of injury, and tell you what can happen if the instructions are not followed.

SAVE THESE INSTRUCTIONS

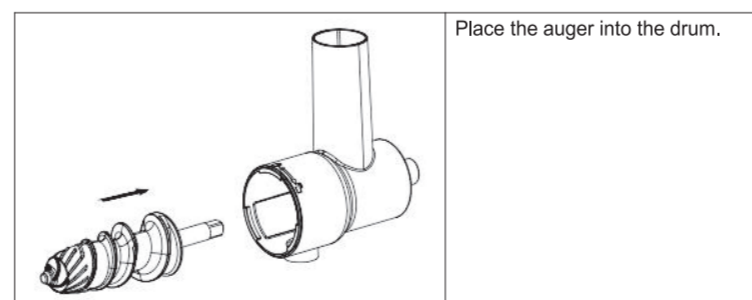
This product is designed for household use only.

COMPONENTS



- ① Plunger
- ② Tray
- ③ Feed chute and Drum
- ④ Auger
- ⑤ Juicing screen
- ⑥ End cap

TO ASSEMBLE



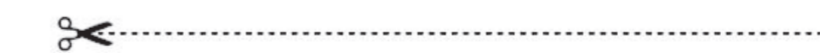
WARRANTY

Thank you for choosing AMZCHEF product. We sincerely hope that you are satisfied with it.

The manufacturer's warranty covers the product for a period of 12 months from the date of purchase against manufacturing faults. All warranties are automatically kept track of in our system, so there is no need to register your product.

Agent/Distributor is welcome to contact us. Email: info@iamzchef.com.

Any help or questions during use, please contact us via website www.iamzchef.com, send email to info@iamzchef.com, or scan our related QR Codes herein for quick service, we will service you within 24 hours. We suggest to provide a warranty card, a photo or a video if there's broken spare part or not working machine so that we can be much more clear about your problems and offer you the best solution.



amzchef Warranty Card

Email: _____

Buyer's name: _____

Address: _____

Tel.: _____

Order Number: _____

Purchase date: _____

Item name: _____

Model: _____

Serial No.: _____

Please fill in the table and email it within 10 days from the date of purchase.

| | |
|--|---|
| | First remove the plunger and tray. |
| | Loosen attachment knob by turning it counterclockwise. |
| | Remove the attachment. |
| | After removing the attachment, detach the end cap, juicing screen and auger in turn, all removable components can be washed with water. |

Manufacturer:
Zhongshan Jimi Electrical Appliance Co., Ltd.
No. 2, Yucheng 2nd Road, Xiaolan Town, Zhongshan City, Guan Gdong China.

| | |
|--|--|
| | Insert the juicing screen into the drum. |
| | Place the end cap onto the drum end and rotate the cap counterclockwise. |
| | The attachment is assembled. |

TO ATTACH

Before attaching accessory, turn off and unplug the mixer.

- MAINTENANCE**
- 1) Before cleaning the juicing attachment, be sure to shut down the switch to disconnect the power supply.
 - 2) Clean the attachment after every use.
 - 3) Do not try to wash the attachment by dishwasher.
 - 4) Before storing it, make sure the attachment is clean and dry.
 - 5) Some foods such as carrots may stain the housing. These stains may be removed by the following methods: rub a small amount of oil or shortening over the stains, wash in warm sudsy water and rinse.
 - 6) Disassemble the attachment for cleaning by the following steps:

| | |
|--|---|
| | Loosen attachment knob by turning it counterclockwise and remove the hub cover. |
| | Insert auger shaft into attachment hub socket on the mixer. |
| | Tighten attachment knob by turning clockwise until attachment is completely secured to Stand Mixer. |
| | Mount tray onto the upper end of Feed chute. |

Place the few pieces of cut fruit or vegetables into the Feed chute, push them down the drum gently with plunger.

(Do not put your finger or any other object into the Feed chute if the Juice Cup is full, disconnect the power supply and clear it up before restart.)

Place the juice cup under the drum set.

| | |
|--|---|
| | Loosen attachment knob by turning it counterclockwise and remove the hub cover. |
| | Insert auger shaft into attachment hub socket on the mixer. |
| | Tighten attachment knob by turning clockwise until attachment is completely secured to Stand Mixer. |
| | Mount tray onto the upper end of Feed chute. |

Electrical Shock Hazard

Plug into a grounded 3 prong outlet.

Do not remove ground prong.

Do not use an adapter.

Do not use an extension cord.

Failure to follow these instructions can result in death, fire, or electrical shock.



WARNING