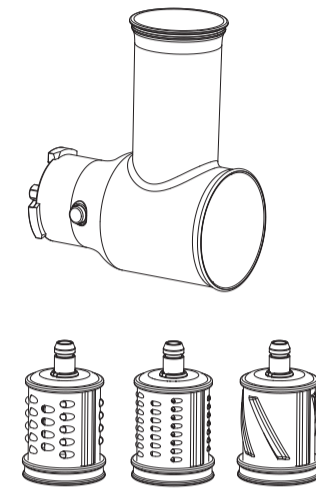




INSTRUCTION MANUAL

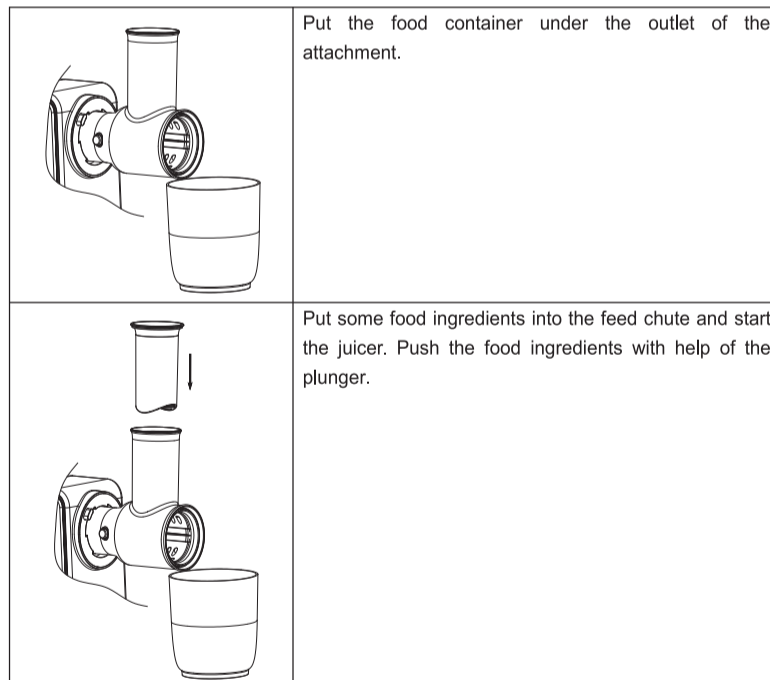


Slicer/Shredder Attachment

Model No.:P-001

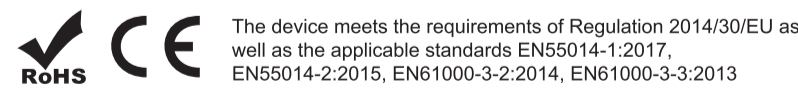
**PLEASE READ INSTRUCTIONS CAREFULLY BEFORE ASSEMBLY
RETAIN THIS MANUAL FOR FUTURE REFERENCE**

Slicer — Thinly slices vegetables for cole slaw, potato chips, sauerkraut, bread and butter pickles, sliced cucumbers, radishes, celery and nuts.



CLEANING

The complete attachments are dishwasher safe. Some foods such as carrots may stain the housing. These stains may be removed by using one of the following methods: (1) place in dishwasher and use cycle for normally soiled dishes, or (2) rub a small amount of oil or shortening over the stains, wash in warm sudsy water and rinse.



The device meets the requirements of Regulation 2014/30/EU as well as the applicable standards EN55014-1:2017, EN55014-2:2015, EN61000-3-2:2014, EN61000-3-3:2013

IMPORTANT SAFEGUARDS

When using electrical appliances, basic safety precautions should always be followed, including the following:

1. Read all instructions.
2. To protect against risk of electrical shock, do not put juicer in water or other liquid.
3. This appliance is not intended for use by persons (including children) with reduced physical, sensory, or mental capabilities, or lack of experience or knowledge, unless they are closely supervised and instructed concerning use of the appliance by a person responsible for their safety. Close supervision is necessary when any appliance is used by or near children. Children should be supervised to ensure that they do not play with the appliance.
4. Avoid contacting moving parts. Keep fingers out of discharge opening.
5. Do not operate the juicer with a damaged cord or plug or after the juicer malfunctions, or is dropped or damaged in any manner.
6. The use of attachments not recommended or sold by us may cause fire, electric shock, or injury.
7. Do not use the juicer outdoors.
8. Do not let the cord hang over the edge of table or counter.
9. Never feed food by hand. Always use food pusher.
10. Blades are sharp. Handle carefully.

Your safety and the safety of others are very important.

We have provided many important safety messages in this manual and on your appliance. Always read and obey all safety messages.

This symbol alerts you to potential hazards that can kill or hurt you and others.

All safety messages will follow the safety alert symbol and either the word "DANGER" or "WARNING." These words mean:

DANGER You can be killed or seriously injured if you don't immediately follow instructions.

WARNING You can be killed or seriously injured if you don't follow instructions.

All safety messages will tell you what the potential hazard is, tell you how to reduce the chance of injury, and tell you what can happen if the instructions are not followed.

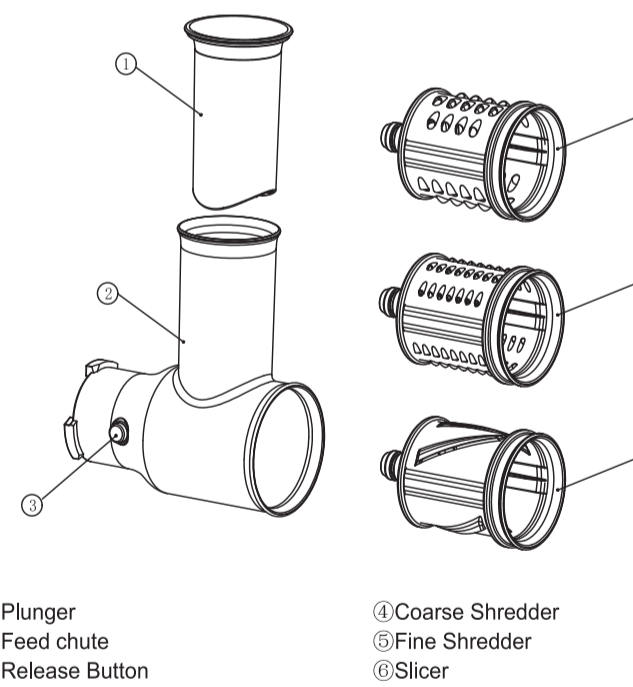
SAVE THESE INSTRUCTIONS

This product is designed for household use only.

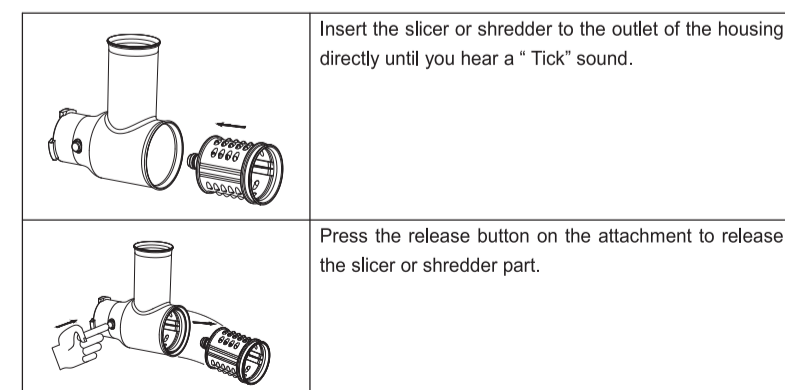
CONTENTS

IMPORTANT SAFEGUARDS.....01
 COMPONENTS.....02
 ASSEMBLE AND DISASSEMBLE THE ATTACHMENT.....02
 ATTACH AND DISASSEMBLE FROM THE SLOW JUICER.....03
 USE THE ATTACHMENT.....03
 CLEANING.....04
 WARRANTY.....05

COMPONENTS



ASSEMBLE AND DISASSEMBLE THE ATTACHMENT



WARRANTY

Dear Customer,
 Thank you for choosing AMZCHEF product. We sincerely hope that you are satisfied with it.

The manufacturer's warranty covers the product for a period of 12 months from the date of purchase against manufacturing faults. All warranties are automatically kept track of in our system, so there is no need to register your product.

For an extra 1 year's free warranty, please register at our official website www.iamzchef.com or fill in following Warranty Card, take picture and send to info@iamzchef.com.

Agent/Distributor is welcomed to contact us. Email: info@iamzchef.com.

Any help or questions during use, Quick Contact: info@iamzchef.com, we will service you within 24 hours. We suggest to provide a warranty card, a photo or a video if there's broken spare part or not working machine so that we can be much more clear about your problems and offer you the best solution.

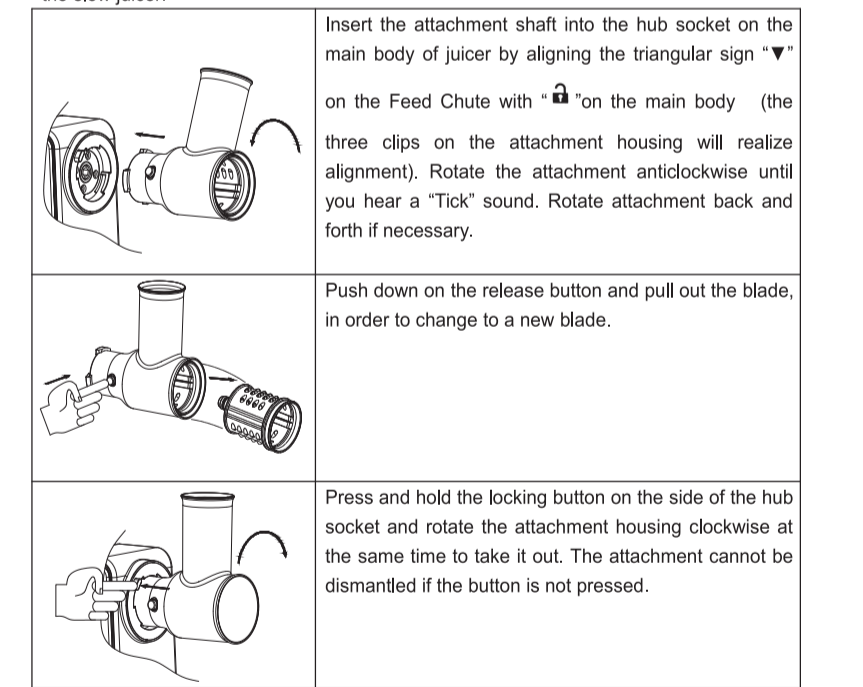
amzchef Warranty Card

Email: _____
 Buyer's name: _____
 Address: _____
 Tel.: _____
 Order Number: _____
 Purchase date: _____
 Item name: _____
 Model: _____
 Serial No. : _____

Kindly send back the warranty card to us after filling in the information. Thanks for your effort!

ATTACH AND DISASSEMBLE FROM THE SLOW JUICER

Before attaching accessory, turn off and unplug the juicer ,then remove the Drum unit from the slow juicer.



USE THE ATTACHMENT

WARNING!
Rotating Blade Hazard
 Always use food pusher.
 Keep fingers out of openings.
 Keep away from children.
 Failure to do so can result in amputation or cuts.

Before use, choose the suitable part according to your need.

Fine Shredder — Finely shreds hard and crisp vegetables, such as carrots, beets, turnips, potatoes, celery, nuts, firm cold cheese, coconut and dry bread.
 Coarse Shredder— Coarsely shreds carrots, celery, onions, fruits, nuts or chocolate. Potatoes can be shredded for shoestrings or hash browns.