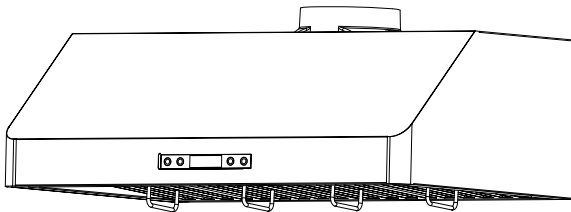
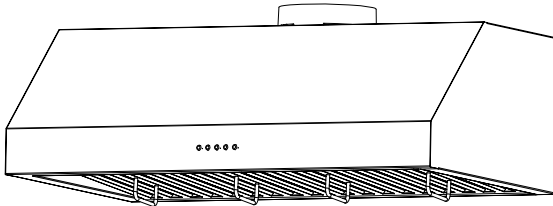




# INSTRUCTION MANUAL

## RANGE HOOD



BX2-H-J1EAM01

BX2-H-J1EAM02

AC 120V 60Hz 233W

PLEASE READ INSTRUCTIONS CAREFULLY BEFORE ASSEMBLY  
RETAIN THIS MANUAL FOR FUTURE REFERENCE

**READ AND SAVE THESE INSTRUCTIONS**

# TABLE OF CONTENTS

Important safety instructions.....	2-3
Stainless steel baffle filters.....	4
Parts diagram(BX2-H-J1EAM01) .....	5-6
Parts diagram(BX2-H-J1EAM02).....	7-8
Parts Included.....	9
Pre-installation requirements.....	10
Installation instructions.....	11-13
Operating Instructions: Push Button Controls .....	14
Operating Instructions: Soft Touch Controls .....	15-16
Maintenance .....	17
Troubleshooting .....	18
Technical Information .....	19-20
Warranty .....	21

## IMPORTANT SAFETY INSTRUCTIONS

Read all instructions before using this appliance.

Save these instructions for future references

Approved for residential appliances

For residential use only

### IMPORTANT SAFETY INSTRUCTIONS

#### WARNING

1. Before servicing or cleaning unit, unplug or disconnect the rangehood from the power supply.
2. TO REDUCE THE RISK OF A RANGE TOP GREASE FIRE:
  - A. Never leave surface units unattended at high settings. Boilovers cause smoking and greasy spillovers that may ignite. Heat oils slowly on low or medium settings.
  - B. Always turn hood ON when cooking at high heat or when flambeing food (i.e. Crepes Suzette, Cherries Jubilee, Peppercorn Beef Flambe').
  - C. Clean ventilating fans frequently. Grease should not be allowed to accumulate on fan or filter.
  - D. Use proper pan size. Always use cookware appropriate for the size of the surface element.
3. TO REDUCE THE RISK OF INJURY TO PERSONS IN THE EVENT OF A RANGE TOP GREASE FIRE, OBSERVE THE FOLLOWING:
  - A. SMOTHER FLAMES with a close-fitting lid, cookie sheet, or metal tray, then turn off the burner. BE CAREFUL TO PREVENT BURNS. If the flames do not go out immediately, EVACUATE AND CALL THE FIRE DEPARTMENT.
  - B. NEVER PICK UP A FLAMING PAN – You may be burned.
  - C. DO NOT USE WATER, including wet dishcloths or towels – a violent steam explosion will result.
  - D. Use an extinguisher ONLY if:
    - 1) You know you have a Class ABC extinguisher, and you already know how to operate it.
    - 2) The fire is small and contained in the area where it started.
    - 3) The fire department is being called.
    - 4) You can fight the fire with your back to an exit.

<sup>a</sup> Based on "Kitchen Firesafety Tips" published by NFPA.
4. To Reduce The Risk Of Fire Or Electric Shock, Do Not Use This Fan With Any Solid-State Speed Control Device.
5. To provide protection against electric shock, connect to properly grounded outlets only.

**CAUTION:** For General Ventilating Use Only. Do Not Use To Exhaust Hazardous Or Explosive Materials And Vapors.

## IMPORTANT SAFETY INSTRUCTIONS

- Check to ensure your electricity supply matches that shown on the rating plate. The appliance must only be used as rated.
- Please always supervise children and any other individuals that should be monitored while using this appliance.
- Do not connect the air outlet to chimney fuels or combustion gas ducts.
- Do not leave unattended open flames under this hood.
- In case of any damage to power cable, replace the broken cable with a new one by a qualified professional.
- Clean the hood as instructed in this manual. If the hood is not cleaned or cleaned improperly, it may cause fire, or the range hood may function incorrectly.
- The LED lamp should be replaced by a qualified professional. Always use a 1,5W LED light or less.
- Do not wash the control switch with water, as it will cause electrical issues for the range hood.
- Do not pull the plug from the power supply with wet hands to avoid electrical shock.
- Disconnect the hood from the power supply if the appliance will not be used for an extended period of time.

## STAINLESS STEEL BAFFLE FILTERS



### **About Your New Filters**

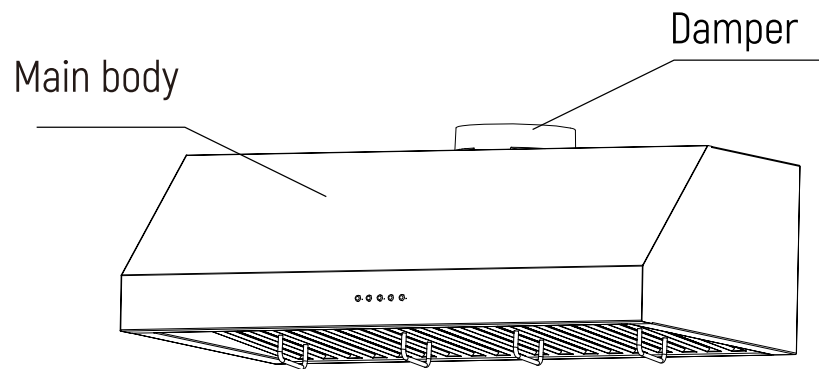
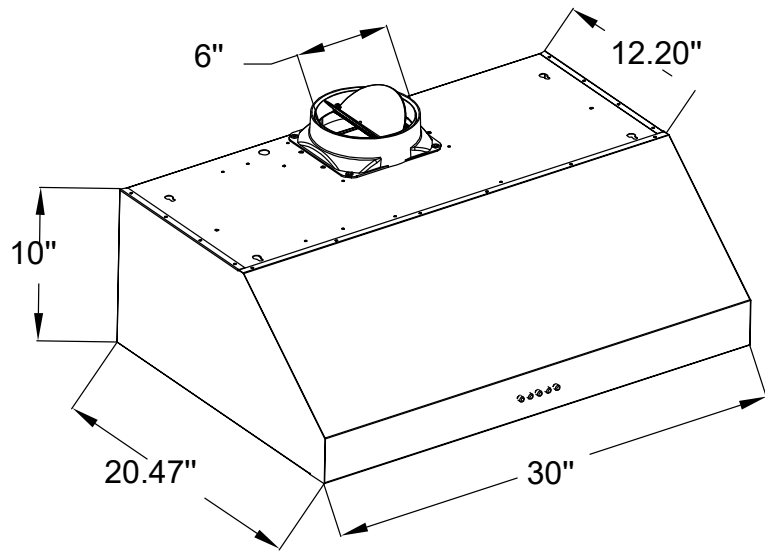
Stainless Steel Baffle Filters do not need linings or mesh inside of the filters and are completely constructed out of stainless steel. The stainless steel construction allows them to be used again after being cleaned or going through the dishwasher.

### **How do Baffle Filters Work?**

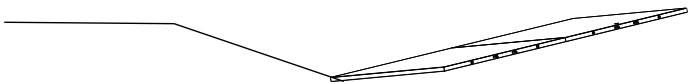
They function by forcing the grease filled air to quickly and continuously change direction as it passes through the filter. The grease is unable to change direction as fast as the air carrying them, they end up getting caught on the metal blades and then trapped into the filter tray. These filters are both efficient and require less maintenance.

# PARTS DIAGRAM

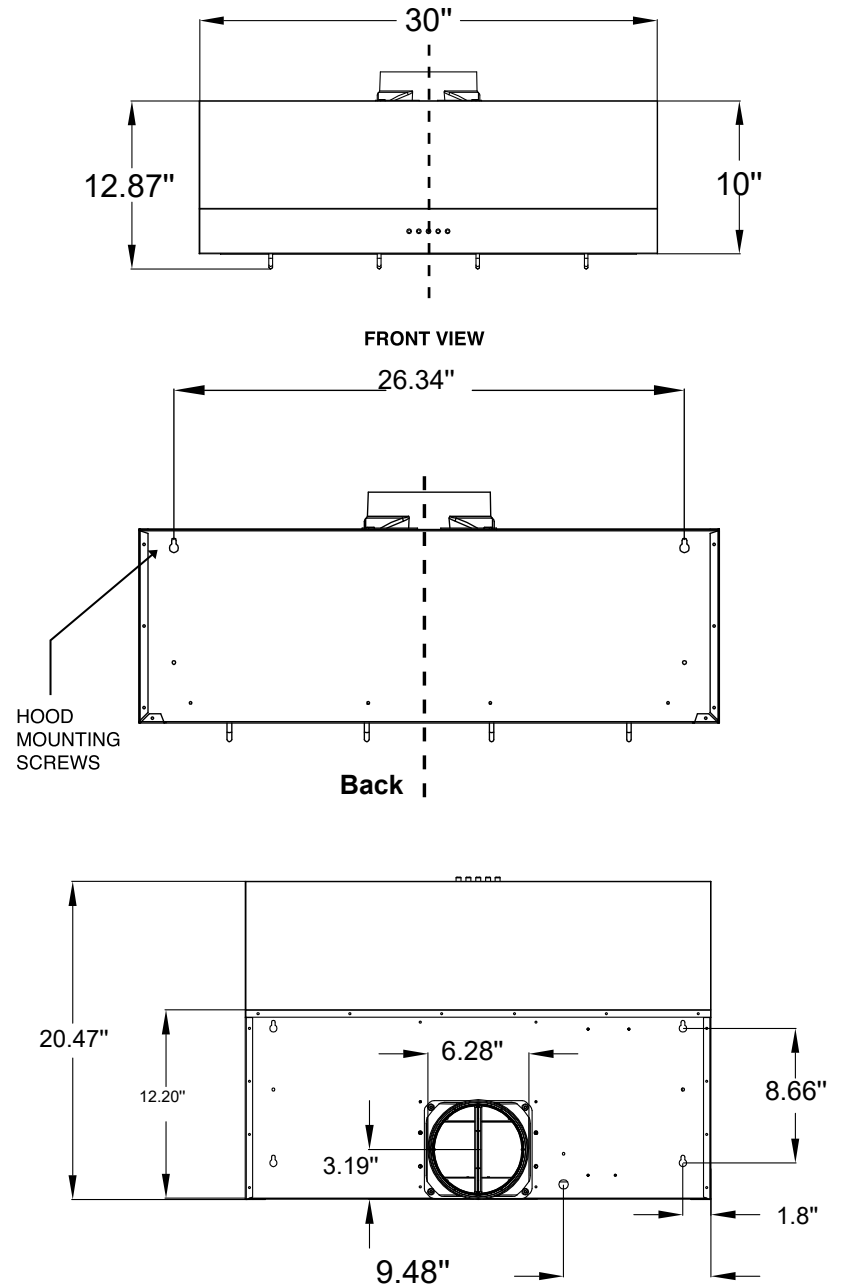
BX2-H-J1EAM01



Grease Filters

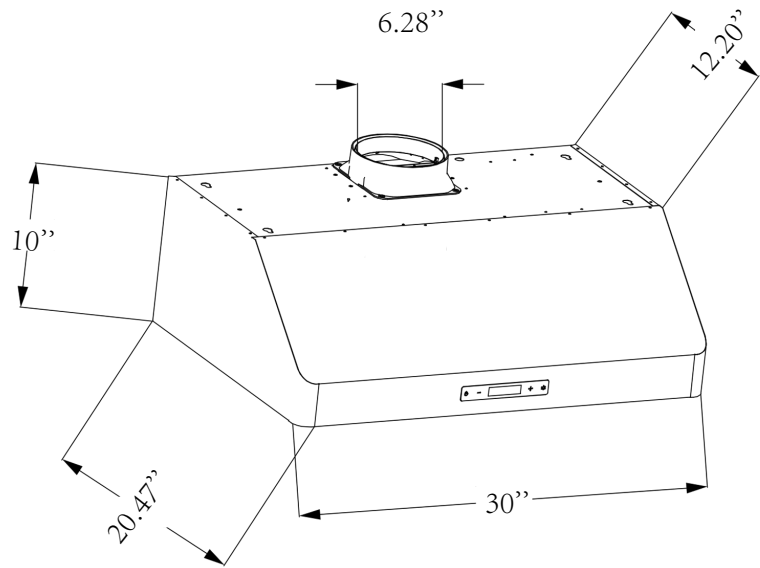


# PARTS DIAGRAM



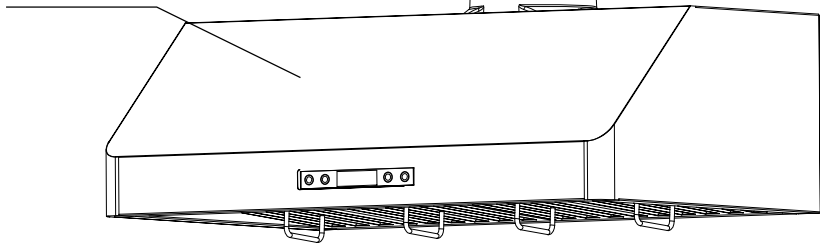
# PARTS DIAGRAM

BX2-H-J1EAM02



Damper

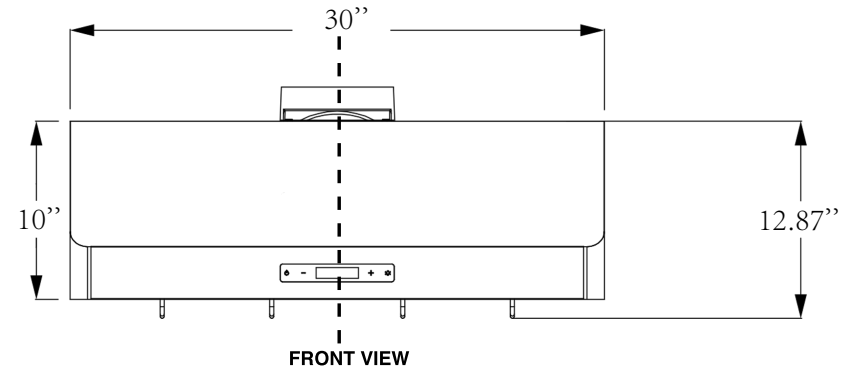
Main body



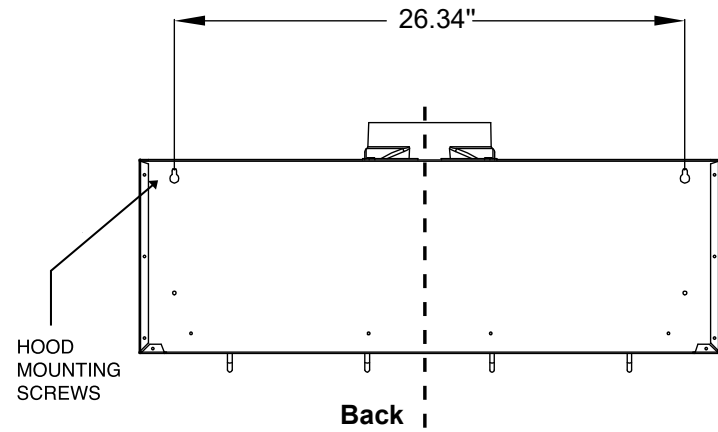
Grease Filters



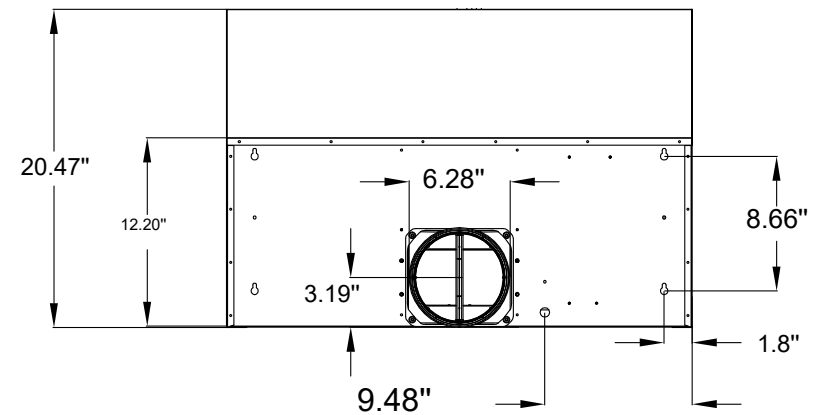
# PARTS DIAGRAM



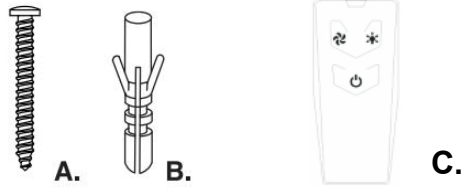
FRONT VIEW



Back



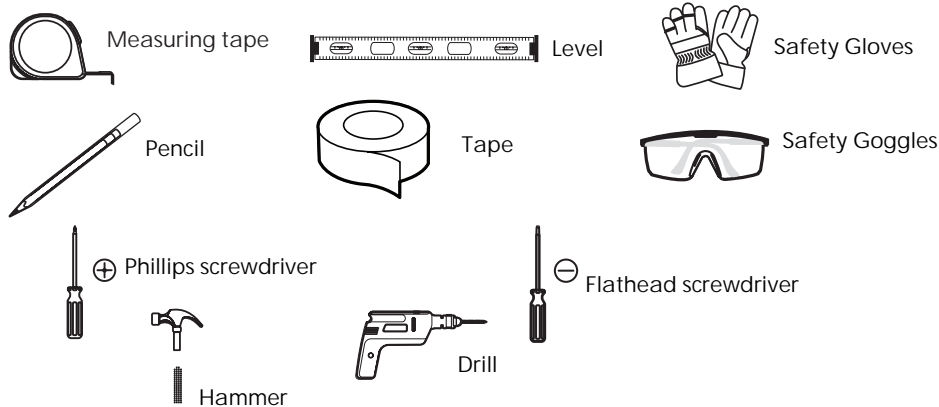
## PARTS INCLUDED



### PARTS LIST

- A. 12pcs-St6.0 screws
- B. 12pcs-Wall Anchors
- C. 1pcs-Remote Control

### PARTS NEEDED



## PRE-INSTALLATION REQUIREMENTS

1. Do not install the Range Hood where there are many doors or windows in order to avoid affecting the exhaust efficiency caused by air convection.
2. Install the Range hood directly above the cooking surface. The recommended distance between the cooking surface and the bottom of the range is minimum 24" and Maximum 30".
3. In order to get the optimum performance, do not extend the vent pipe too far, adjust the vent pipe, and make sure the hood is level and vertical.
4. The air outlet must not be connected to chimney flues or combustion gas ducts. The air outlet must not be connected to ventilation ducts for rooms in which fuel-burning appliances are installed.

### SAFETY WARNING

***HOOD MAY HAVE SHARP EDGES; PLEASE WEAR PROTECTIVE GLOVES IF ITS NECESSARY TO REMOVE ANY PARTS FOR INSTALLING, CLEANING, OR SERVICING.***

# INSTALLATION INSTRUCTIONS

## WARNING

1. TO REDUCE THE RISK OF FIRE, USE ONLY METAL DUCTWORK.

## 2. GROUNDING INSTRUCTIONS

This appliance must be grounded. In the event of an electrical short circuit, grounding reduces the risk of electric shock by providing an escape wire for the electric current. This appliance is equipped with a cord having a grounding wire with a grounding plug. The plug must be plugged into an outlet that is properly installed and grounded.

**WARNING** – Improper grounding can result in a risk of electric shock.

Consult a qualified electrician if the grounding instructions are not completely understood, or if doubt exists as to whether the appliance is properly grounded.

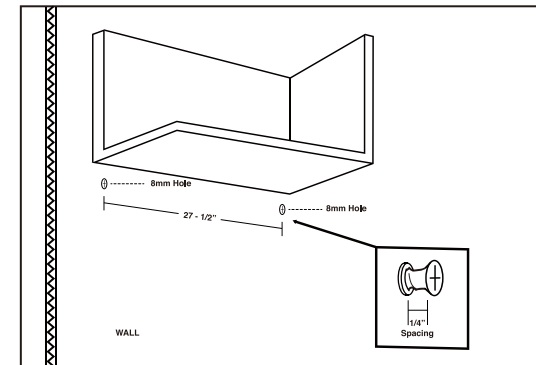
Do not use an extension cord. If the power supply cord is too short, have a qualified electrician install an outlet near the appliance.

**CAUTION:** To reduce risk of fire and to properly exhaust air, be sure to duct air outside - Do not vent exhaust air into spaces within walls or ceilings or into attics, crawl spaces, or garages.

Use only with rangehood cord-connection kits that have been investigated and found acceptable for use with this model rangehood.

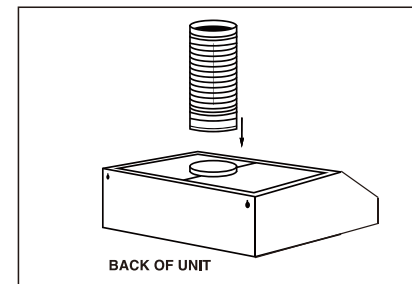
# INSTALLATION INSTRUCTIONS

## Step 1-3

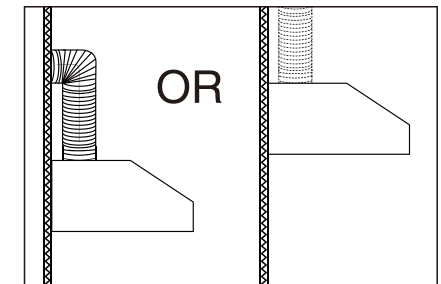


1. Drill two 8mm holes in position for Wall Anchor (Part B) placement. **(See Page 5 for placement location).**
2. Tap Wall anchors securely into each of the drilled holes.
3. After Wall anchors have been tapped in place, Insert st 6.0 screws, but leave 1/4 of the screw sticking out of the wall. **(This will give your Range Hood something to hang onto).**

## Step 4



## Step 5



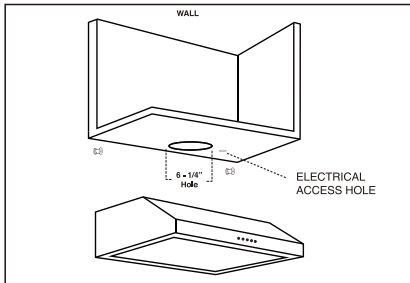
4. Take the hood unit along with the 6 Round Aluminum duct (Part D). Secure the round aluminum duct to the vent hole at the top of the hood unit using HVAC Aluminum foil tape.

**If mounting to a cabinet, skip step 5 and proceed with steps 6-11.**

5. If mounting to the wall only, drill a 6-1/4 round hole on the back wall above the hood, OR into the ceiling directly above the hood.
  - 5a. Remove baffle filters from underneath the hood and set them aside.
  - 5b. Lift the hood and hang the hood unit on the back wall using the screws drilled in Step 3. Once the hood is securely hung on the wall, tighten the screws from the interior of the hood.
  - 5c. Pull round aluminum duct through the newly drilled hole in the wall. Plug unit into power outlet. Reinstall baffle filters.

# INSTALLATION INSTRUCTIONS

## Step 6

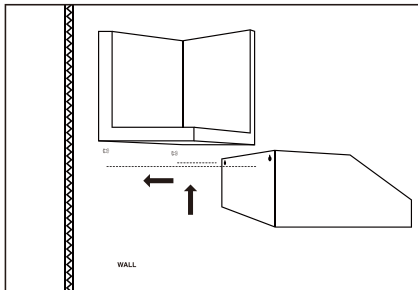


6. Drill a 6 - 1/4 Round Hole into the bottom of the cabinet. Drill a 1 - 1/2 hole into the bottom of the cabinet for the Electrical Access hole.

See Page 5 for hole location according to the diagram (Top View).

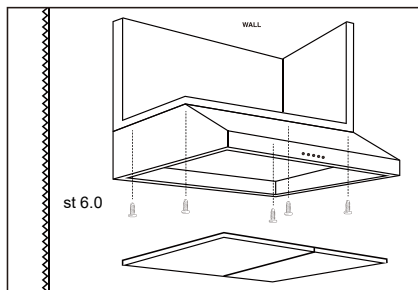
- 6a. Pull the round duct & power cord through the bottom of the new cabinet holes.

## Step 7



7. Lift the hood and hang the hood unit on the back wall using the screws drilled in Step 3.

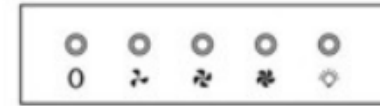
## Step 8-9



8. Once the Hood is hung to the back wall, Remove the baffle filters from underneath the hood.
9. Drill each of the five pieces of st 6.0 screws (**Part C**) into the bottom of the cabinet using the five screw holes at the top of the hood.
10. Once the hood is secured into the cabinet, tighten the wood screws located in the back of the hood. Install Baffle filters back into place. Make sure hood is secure by pressing on it. Plug unit into power outlet.

# OPERATING INSTRUCTIONS

COMPATIBLE WITH MODELS: BX2-H-J1EAM01



## Push Button Controls

### How to use the Push Button:

#### 0 Off button

It's used for turning off the fan.

#### Low Speed button

It's used for Ventilation on the kitchen. It is suitable for simmering and cooking which do not make much steam.

#### Medium Speed button

Airflow speed is ideally for ventilation in standard cooking operation.

#### High Speed button

When high density of smoke or steam produced, press high-speed button for highest effective ventilation.

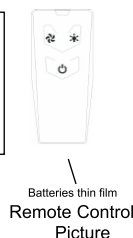
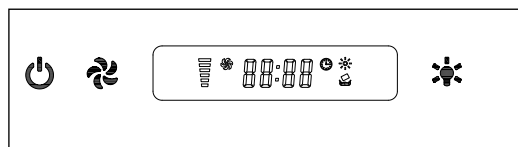
#### Light button



# OPERATING INSTRUCTIONS

## Soft Touch Controls

COMPATIBLE WITH MODELS: BX2-H-J1EAM02



Before using the remote control please Remove the battery film!

### STANDBY MODE.

After plug in, just is flashing slowly, the system is in **STANDBY MODE**.

### "ON/OFF" key:

In **STANDBY MODE** press to enter to **WORKING MODE**, display & all buttons light on. If it's the first time to start up, the motor will work in LOW speed, the lights will be off automatically; or the hood will recover from the same setting of last working operation. **(Same for in Remote control)**

In **WORKING MODE**, press , motor stops working, but light will keep the status.

In **WORKING MODE**, press & hold for 3 seconds, Motor & light stop working, the unit will be back to **STANDBY MODE**. **( Same for in Remote control with short press)**

All other buttons just could work in **WORKING MODE**

### "FAN SPEED" key:

Button for changing the speed of motor following cycle "Low-Middle-High". (This key could not stop motor working.) **(Same for in Remote control)**

### "Light" button

short press for lamp on/off.

### CLOCK SETTING

In **STANDBY MODE**, press + & hold for 1 second, the "88:88" flashing & enter the **CLOCK SETTING MODE**.

In this state: pressing for changing selecting hour or minute

pressing key for decrease.

pressing key for increase

If press + key or without any operation in **CLOCK SETTING MODE** for 5 seconds, it will save the setting automatically and exit **CLOCK SETTING MODE**.

# OPERATING INSTRUCTIONS

## TIMER SETTING

In **WORKING MODE**, press + & hold for 1 second, display flashing shows "00:00", enter the

### TIMER SETTING MODE.

In this state: pressing for increase 15 minutes

pressing for decrease 1 minute.

pressing for increase 1minute.

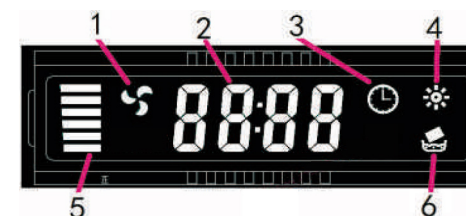
If press + key or without any operation in **TIME SETTING MODE** for 5 seconds, it will save the setting automatically and start to count down showing in display.

When time elapses, both motor & light will turn off automatically & come back to **STANDBY MODE**.

### Cleaning Symbol:

When the power is turned on for the first time or the motor has been working for 14 hours, the cleaning symbol will be lit as a reminder for cleaning the filter. Long press the "" button to clear the cleaning symbol, the buzzer will beep twice, and the timing will restart.

### LCD display:



1. Fan symbol, will be displayed when the fan is working
2. Time display
3. Timer
4. Light
5. Fan speed
6. Cleannging symbol. appear when total working time up to 14 hours

# MAINTENANCE

**CAUTION:** Never put your hand inside the unit while it is operating. For the best performance clean your unit frequently.

## CLEANING:

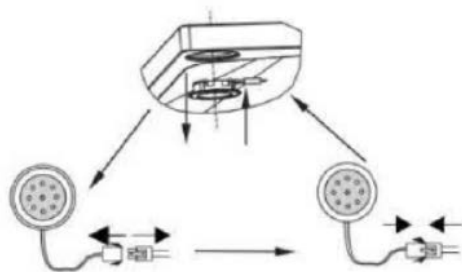
1. Use only mild soap or cleaning solutions to clean the range hoods outer surface. Dry surfaces using a soft cloth.
2. Stainless Steel cleaner may be used on the external surface.
3. Cleaning the Baffle Filters: For daily cleaning, use hot, soapy water and a soft cloth. Wipe dry and finish with a damp micro-fiber cloth. Baffle filters can also be cleaned in the dishwasher.
4. Clean the Range Hood assembly once every 6 months.
5. **DO NOT** clean motor or electrical components with water or any other liquid.

## REPLACING LIGHT BULBS

**CAUTION:** LED LAMP UNIT IS HOT! WAIT BEFORE ATTEMPTING TO REPLACE LED LAMPS.  
PLEASE BE SURE THE UNIT IS POWERED OFF AND UNPLUGGED.

**NOTE:** INDIVIDUAL LED BULBS CANNOT BE REPLACED. ONLY LED LAMPS.

1. Remove the baffle filters
2. Find the wire connection of the lamp and unplug.
3. Remove old LED lamp.
4. Plug in new LED lamp.
5. Reinstall the baffle filters.

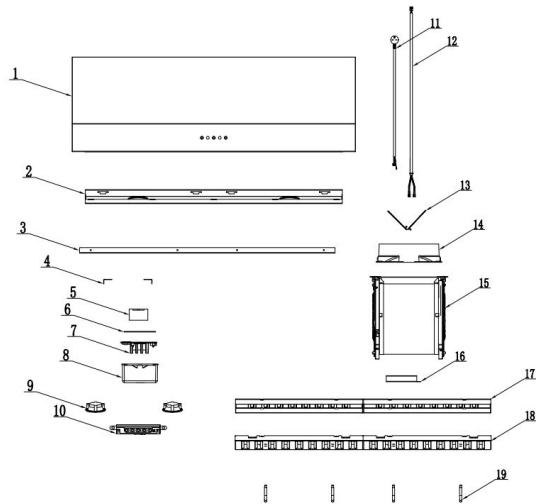


# TROUBLESHOOTING

**CAUTION:** ALWAYS TURN OFF POWER AND UNPLUG THE APPLIANCE BEFORE TROUBLESHOOTING.

PROBLEM	POSSIBLE CAUSE & SOLUTION
My range hood is noisy.	Check inside the range hood if there is any loose debris and remove it
My range hood has poor performance.	A. The range hood and cooktop are too far away from each other. Optimal distance is 24" to 36" B. There are too many open windows or doors in the area. Close some doors or windows. C. The motor performance has decrease. Replace motor. D. Check and make sure the tape holding down the damper flaps at the vent hole are removed before use.
My range hood shakes.	A. The installation is not secure. Check again and make sure the installation hardware is securely mounted. B. The fan is broken or not balanced. Realign or replace fan. C. The motor is loose. Check and make sure the motor is solidly mounted to the unit.
The motor no longer runs.	Replace with new motor assembly.
Light bulb went out.	Replace with a new 1.5W LED lamp.

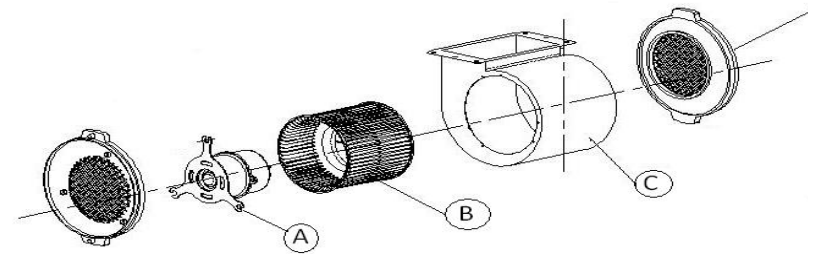
## TECHNICAL INFORMATION



**BX2-H-J1EAM01**  
**BX2-H-J1EAM02**

NO.	Parts name	Qty/hood
1	Main Body	1
2	Light SS panel	1
3	Filter fixing plate	1
4	Bellows reinforcement plate	2
5	12 $\mu$ F capacitance	1
6	Wiring board	1
7	Electric control box base	1
8	Electric control box upper cover	1
9	1.5W LED light	2
10	Mechanical push button	1
11	American 3pins cable	1
12	High voltage light wire	1
13	Non-Return Valve	2
14	Air outlet	1
15	Iron volute components	1
16	PCB board bracket	1
17	Steel filter base	2
18	Steel filter panel	2
19	Round handle	4

## TECHNICAL INFORMATION



For motor accessory		
A	Motor	1
B	Fan blower	1
C	Iron volute components	1
D	Iron volute air inlet net cover	2

# WARRANTY

Thank you for choosing AMZCHEF product. We sincerely hope that you are satisfied with it.

The manufacturer's warranty covers the product for a period of 12 months from the date of purchase against manufacturing faults. All warranties are automatically kept track of in our system, so there is no need to register your product.

Agent/Distributor is welcome to contact us. Email: [info@iamzchef.com](mailto:info@iamzchef.com).

Any help or questions during use, please contact us via website [www.iamzchef.com](http://www.iamzchef.com), send email to [info@iamzchef.com](mailto:info@iamzchef.com), or scan our related QR Codes herein for quick service, we will service you within 24 hours. We suggest to provide a warranty card, a photo or a video if there's broken spare part or not working machine so that we can be much more clear about your problems and offer you the best solution.



**amzchef Warranty Card**

Email: \_\_\_\_\_

Buyer's name: \_\_\_\_\_

Address: \_\_\_\_\_

Tel.: \_\_\_\_\_

Order Number: \_\_\_\_\_

Purchase date: \_\_\_\_\_

Item name: \_\_\_\_\_

Model: \_\_\_\_\_

Serial No .: \_\_\_\_\_

Please fill in the table and email it within 10 days from the date of purchase.