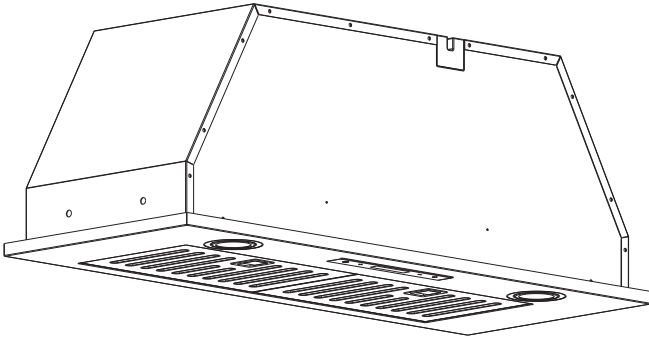




INSTRUCTION MANUAL

RANGE HOOD



MODEL:3005D

Available size:30"

AC 120V 60Hz

**PLEASE READ INSTRUCTIONS CAREFULLY BEFORE ASSEMBLY
RETAIN THIS MANUAL FOR FUTURE REFERENCE**

CONTENTS

SAFETY WARNING	01
NOTICE OF INSTALLATION	03
INSTALLATION.....	03
TOUCH CONTROL PANEL INSTRUCTION	06
REMOTE CONTROL FUNCTION	07
MAINTENANCE.....	08
TROUBLESHOOTING	10
WARRANTY	11

SAFETY WARNING

Thank you for choosing our cooker hood. Please read the instruction manual carefully before use.

The cooker hood is used on 120V,60Hz.

Never let the children operate the machine.

The cooker hood is for home use only, not suitable for barbecue, roast shop and other commercial purpose.

The cooker hood and its filter should be clean regularly in order to keep in good working condition.

Clean the cooker hood according to the instruction manual and keep the unit from danger of burning.

Forbid the direct baking from the gas cooker.

Please keep the kitchen from a good air flow.

Before connecting this appliance,check if the power supply cord is not damaged. If the supply cord is damaged,it must be replaced by the manufacturer,it's service agent or similarly qualified persons in order to avoid a hazard .

There is fire risk if cleaning is not carried out in accordance with the instructions.

There shall be adequate ventilation of the room when the range hood is used at the same time as appliances burning gas or other fuels.

The air must not be discharged into a flue that is used for exhausting fumes from appliances burning gas or other fuels.

Regulations concerning the discharge of air have to be fulfilled.

Do not flame under the range hood.

The range hood is not intended to be installed over a hob having more than four hob elements.

This appliance is not intended for use by persons(including children)with reduced physical,sensory or mental capabilities,or lack of experience and knowledge,

unless they have been given supervision or instruction concerning use of

the appliance by a person responsible for their safety.

Children should be supervised to ensure that they do not play with the appliance.

When the range hood and appliances supplied with energy other than electricity are simultaneously in operation, the negative pressure in the room must not exceed 4 Pa (4×10^{-5} bar)

CAUTION: Accessible parts may become hot when used with cooking appliance.

The light source contained in this luminaire shall only be replaced by the manufacturer or his service agent or a similar qualified person.

If the external flexible cable or cord of this luminaire is damaged, it shall be exclusively replaced by the manufacturer or his service agent or a similar qualified person in order to avoid a hazard.

Electrical Shock Hazard

Only plug this unit into a properly earthed outlet. If in doubt seek advice from a suitably qualified engineer.

Failure to follow these instructions can result in death, fire, or electrical shock.

The instructions shall state the substance of the following:

-there shall be adequate ventilation of the room when the range hood is used at the same time as appliances burning gas or other fuels (not applicable to appliances that only discharge the air back into the room);

-the details concerning the method and frequency of cleaning;

-there is fire risk if cleaning is not carried out in accordance with the instruction;

-CAUTION: Accessible parts may become hot when used with cooking appliances;

-The air must not be discharged into a flue that is used for exhausting fumes from appliances burning gas or other fuels (not applicable to appliances that only discharge the air back into the room);

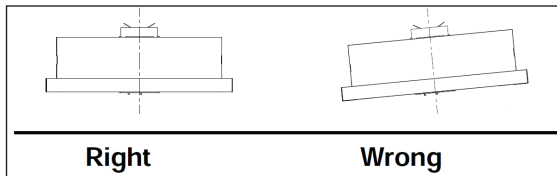
-In order to optimally capture the contamination during cooking, your

extractor hood should be installed at least 65cm above the cooking surface.

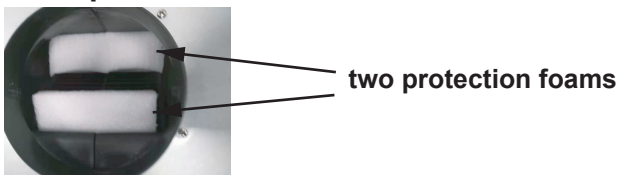
-Regulations concerning the discharge of air have to be fulfilled.

NOTICE OF INSTALLATION

- 1.Before installation, please ensure the area is clean to avoid suction of the remaining bits of broken wood and dust.
- 2.It cannot share the same air ventilation tube with other appliance such as gas tube, warmer tube,and hot wind tube.
- 3.The bending of ventilation tube should be $\geq 120^\circ$, parallel or above the start point and should be connected to the external wall.
- 4.After installation,make sure that the extractor is level to avoid grease collection at one end.



5.Warning: To prevent air block after power connected,please remove two protection foams from air outlet before installation.



INSTALLATION CAUTION

For general ventilating use only. Do not use to exhaust hazardous or explosive materials and vapors.

Mount your range hood so that the bottom of the hood is 26" to 30" above the cooking surface. The minimum hood distance above cooktop must not be less than 26"; any installation less than 26" may cause overheating and cause damage to the range hood.

Two to three installers are recommended because of the larger size and weight of this hood.

To reduce the risk of fire and to properly exhaust air, be sure to duct air outside. Do not exhaust air into spaces within walls and ceiling or into attics, crawl space or garages.

Because of the high exhausting capacity of this hood, you should make sure enough air is entering the house to replace exhausted air by opening a window close to or in the kitchen.

Use with approved cord-connection kit only.

Please read product specification label on range hood for further information and requirements.

Wear protective gloves if it is necessary to remove any parts for installing, cleaning or servicing.

Check all joints on duct work to insure proper connection and all joints should be properly taped.

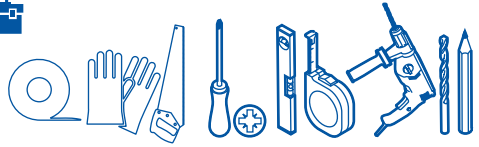
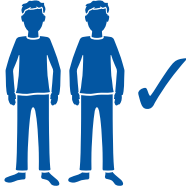
All electrical wiring must be properly installed, insulated and grounded.

When cutting or drilling into wall or ceiling, be careful not to damage electrical wiring or other hidden utilities.

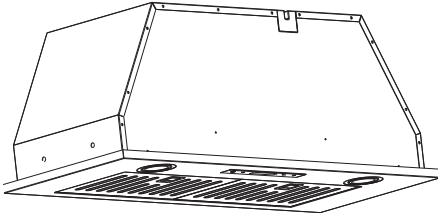


INSTALLATION

Tools needed for the installation



Parts included



[01] x 1



[02] x 8



[03] x 1

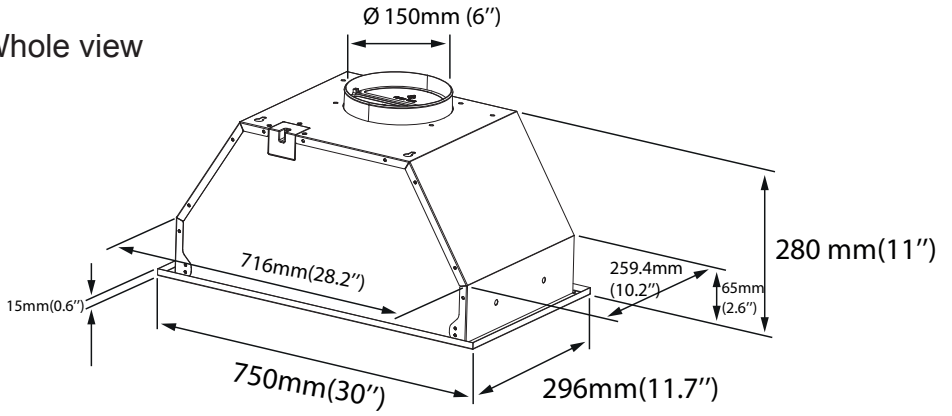


[04] x 8
(4x40 mm)

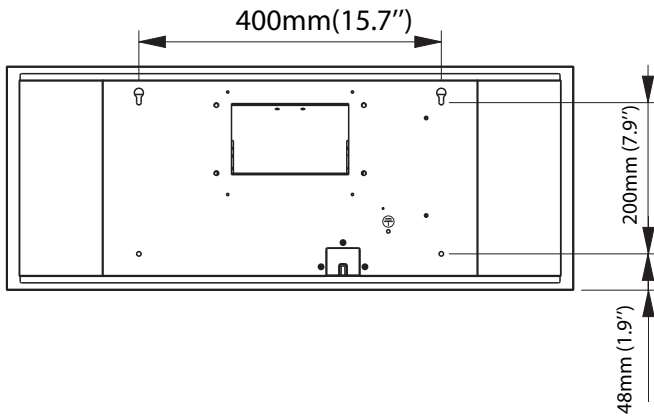


[05] x 8
(Φ12*0.8)

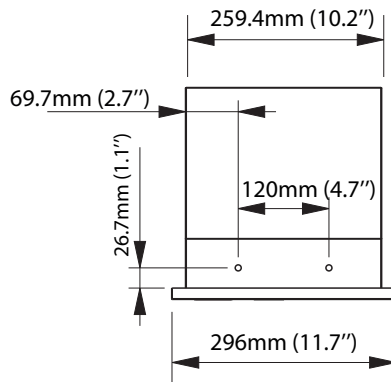
Whole view



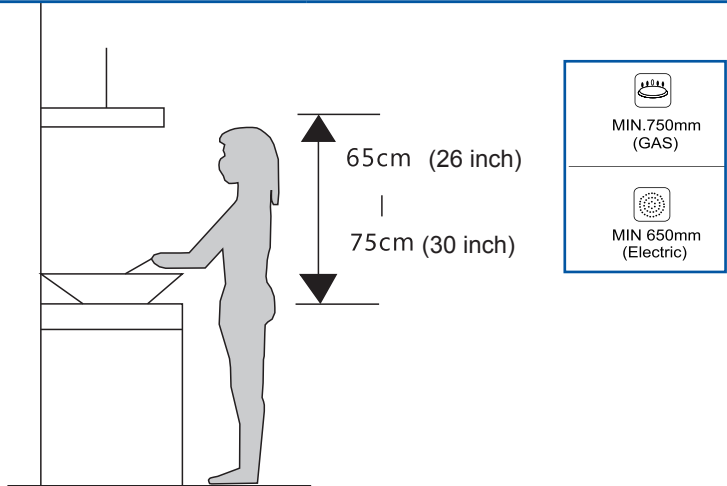
Back view



Side view

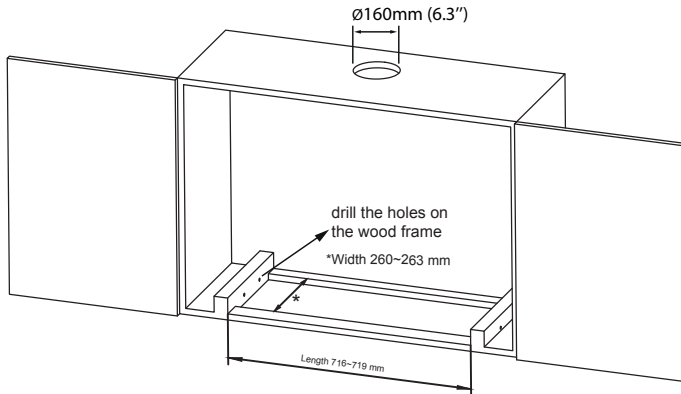


01



The cooker hood should be placed at a distance of 65-75cm(26-30inch) from the cooking surface for the best effect.

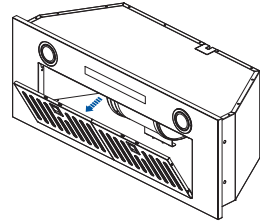
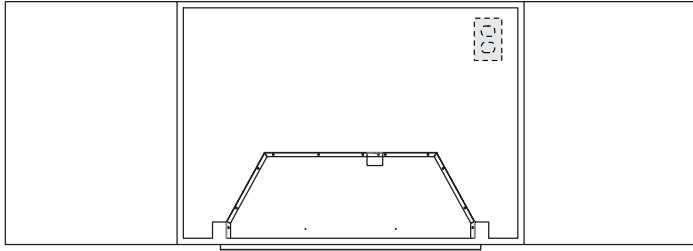
02



Cut-out dimension: Length 716~719mm(28.2"~28.3") X Width 260~263 mm (10.2"~10.4")

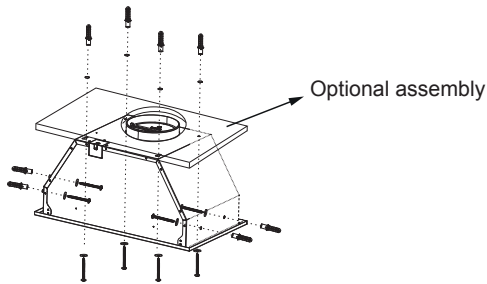
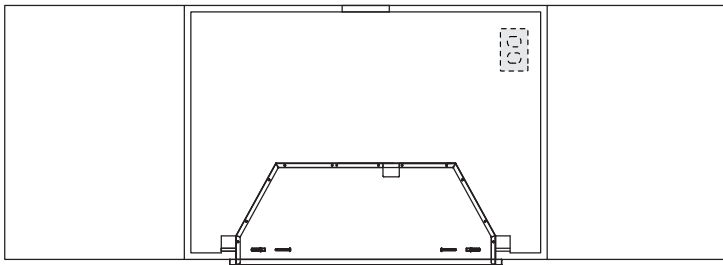
- 1) Measure and cut an opening at the bottom of the cabinet to fit the range hood housing.
- 2) Measure and cut a hole (Ø160mm (6.3")) at the top of cabinet to fit the duct tube.
- 3) Note that the hole at the top of the cabinet may not be necessary depending on venting methods chosen(see step 6 instruction). If the air is vented through the wall, cut a hole at the wall.
- 4) According to the sizes shown in whole view and side view, drill the holes on two wood frames on both sides.

03



Remove two stainless steel filters, then lift the range hood into the cabinet.

04



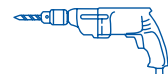
[02] × 8



[04] × 8

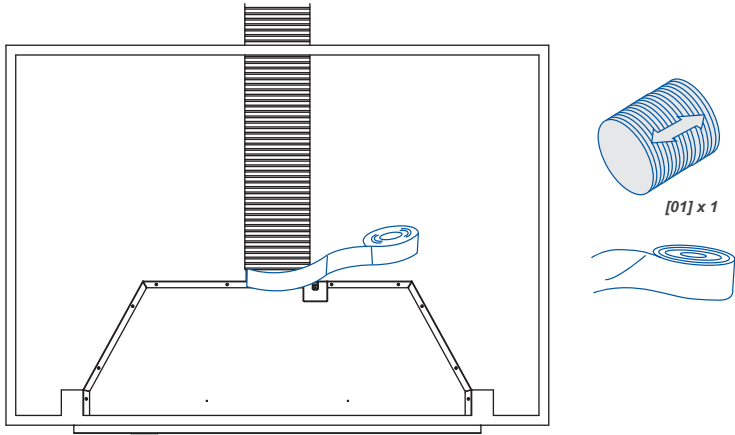


[05] × 8



- 1) Align range hood to the pre-drilled holes on both sides and screw in using the screws provided.
- 2) User could also drill screws on the top wood plate, it's optional assembly.

05

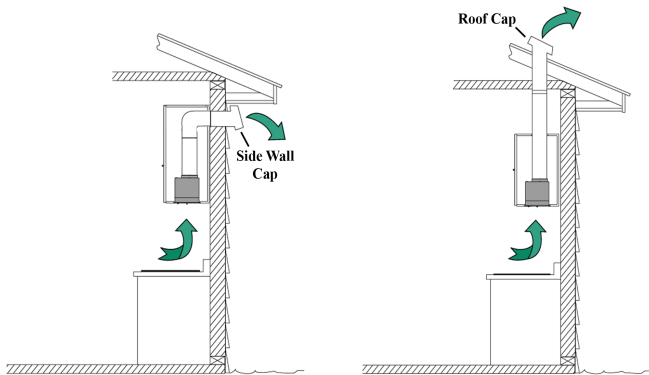


Connect the duct tube to air outlet connector on the top of range hood and seal with aluminum foil tape to make all joints secure and air tight.

06

Horizontal Wall Venting

Vertical Roof Venting



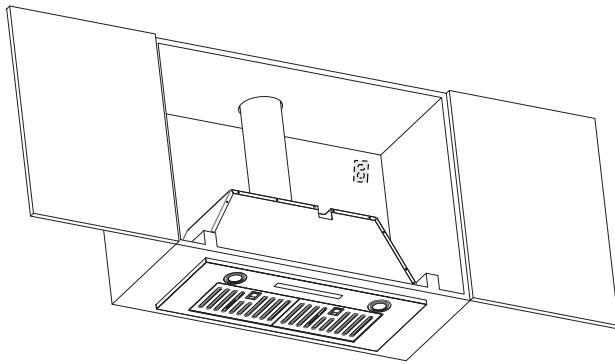
VENTING METHODS:

- This range hood is factory set for venting through the roof or wall.
- Vent work can terminate either through the roof or wall. To vent through a wall, a 90° elbow is needed.

IMPORTANT:

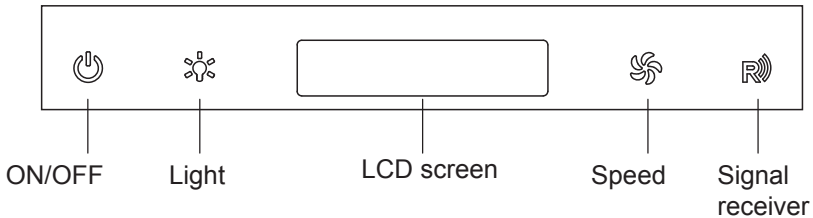
- NEVER exhaust air or terminate duct work into spaces between walls, crawl spaces, ceiling, attics or garages. All exhaust must be ducted to the outside.
- Use metal/aluminum duct work only.
- Use caulking to seal exterior wall or roof opening around the cap.

07



Put the stainless steel filters back to the range hood.

TOUCH CONTROL PANEL INSTRUCTION



When the range hood is plugged in, it's in stand-by mode.

ON/OFF button

1) Time setting function

In stand-by mode, press ON/OFF button for 3 seconds, the buzzer sounds, and the LCD screen flashes for 3 seconds, indicating that it enters into the time setting function.

Within these 3 seconds, press speed button and the time will increase by 1 hour, press light button, the time is reduced by 1 hour, and the adjusted time is 0~24 hours. Press ON/OFF button again, the time setting function jumps to minutes, the procedure for setting function in minutes is the same as in hours, and the adjusted time is 0-60 minutes.

2) Time delay function

When the range hood is working at any speed of low/medium/high speed, touch ON/OFF button, and the fan enters into the time delay function. The default time is 3 minute countdown, the fan will automatically turn off after 3 minutes. Touch ON/OFF button again to skip the time delay function and directly turn off the fan.

Light button

In stand-by mode,touch light button,the light is on. Touch again,the light is off.

Speed button

In stand-by mode,touch speed button,the range hood runs at low speed . LCD screen displays the low speed icon.Press speed button again, the range hood runs at medium speed, LCD screen displays the medium speed icon,and so on. Every time you press speed button, the LCD screen displays "low, medium, high, low, medium, high speed cycle in sequence.

Signal receiver

The signal receiver is received by remote control.


REMOTE CONTROL FUNCTION

ON/OFF key

When the range hood is working at any speed of low/medium/high speed, touch ON/OFF key, and the fan enters into the time delay function.

The default time is 3 minute countdown, the fan will automatically turn off after 3 minutes. Touch ON/OFF key again to skip the time delay function and directly turn off the fan.

Clock key

In stand-by mode,press clock key, the buzzer sounds, and the LCD screen flashes for 3 seconds, indicating that it enters into the time setting function. Within these 3 seconds,press high speed key  and the time will increase by 1 hour,press light key ,the time is reduced by 1 hour, and the adjusted time is 0~24 hours.

Press clock key again,the time setting function jumps to minutes, the procedure for setting function in minutes is the same as in hours., and the adjusted time is 0-60 minutes.

Light key

In stand-by mode,touch light key,the light is on. Touch again,the light is off.



Low speed key



Medium speed key



High speed key



MAINTENANCE

Disconnect the power cord from the wall outlet before cleaning and maintenance.

To clean the appliance outside, use a damp cloth, a soft brush or a fine sponge, and then wipe it dry.Do not use coarse abrasive cleaning agents or sharp metal scrapers for cleaning of the appliance as this could result in surface scoring.

Never leave aggressive or acidic substances (lemon juice, vinegar) on enamelled or stainless parts of the appliance.

Cleaning and replacement of filters

Metal grease filters

When the appliance is in common use, the metal grease filters should be checked or cleaned every month. In case of more frequent frying or deep frying, shorten this interval.

Do not use the appliance without the metal grease filters properly installed!

- 1.Remove the metal filters as shown in Fig. 1.
- 2.Let the metal filters soak in warm water with addition of a detergent or put them into a washer with a cleaning agent and set temperature below 60 °C. In case of soaking in warm water, clean the metal filters with a fine brush, rinse them with clean water and let them dry.
- 3.Attach the dried filters back.

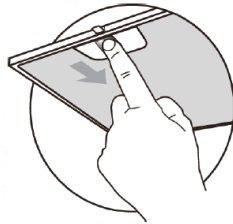


Fig.1

Charcoal filter (to be purchased)

This filter is only used for the recirculation mode.

The filter contains an active carbon absorbing the smell being discharged. The active carbon will be saturated after some time, hence the absorption capacity will be shortened. This filter cannot be washed or cleaned in any other way.

When the appliance is in common use, the charcoal filter should be replaced every 2-3 months. In case of more frequent frying or deep frying, shorten this interval.

- 1.Remove the metal filters as shown in Fig. 1.
- 2.The charcoal filters are situated on both sides of the motor. Turn the filters, until they are secured (see Fig. 2).
- 3.To replace the charcoal filter, proceed in reverse order.

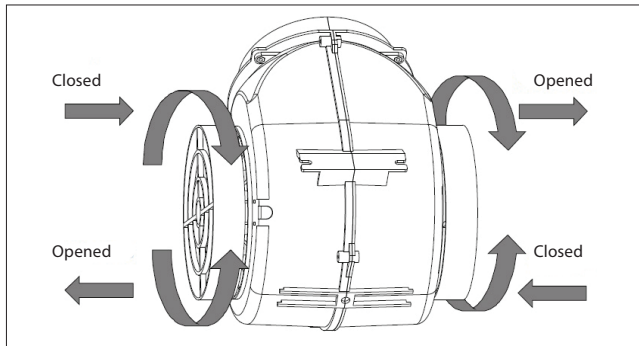


Fig. 2

TROUBLE SHOOTING

Problem	Possible Reasons	Suggested Solution
Light on, but motor does not work	<ul style="list-style-type: none"> -The leaf blocked -The capacitor damaged -The motor jammed bearing damaged -The internal with of motor off or a bad smell from the motor 	<ul style="list-style-type: none"> - Get rid of the blocking - Replace capacitor - Replace motor - Replace motor
Light does not work, motor does not work	<ul style="list-style-type: none"> - Light damaged - Power cord looses 	<ul style="list-style-type: none"> -Replace lights -Connect the wires as per the electric diagram.

Oil drops from the metal grease filer	Heavily fouled filer.	Immediately clean or replace the metal grease filer
Shake of the body	-The leaf damaged and causes Shaking -The motor is not tightly hanged -The body is not tightly hanged	-Replace the leaf -Lock the motor tightly -Fixed the body tightly
Insufficient suction	-The body is not tightly hanged -Too much ventilation from open doors or windows	-Readjust the distance -Choose a new place and resemble the machine
The machine inclines	-The fixing screw not tight enough -The hanging screw not tight enough	-Tighten the hanging screw and make it horizontal -Tighten the hanging screw and make it horizontal

WARRANTY

Thank you for choosing AMZCHEF product. We sincerely hope that you are satisfied with it. The manufacturer's warranty covers the product for a period of 12 months from the date of purchase against manufacturing faults. All warranties are automatically kept track of in our system, so there is no need to register your product.

Agent/Distributor is welcome to contact us. Email: info@iamzchef.com.

Any help or questions during use, please contact us via website www.iamzchef.com, send email to info@iamzchef.com, or scan our related QR Codes herein for quick service, we will service you within 24 hours. We suggest to provide a warranty card, a photo or a video if there's broken spare part or not working machine so that we can be much more clear about your problems and offer you the best solution.



WeChat



Facebook



VK



Line



WhatsApp



amzchef Warranty Card

Email: _____

Buyer's name: _____

Address: _____

Tel.: _____

Order Number: _____

Purchase date: _____

Item name: _____

Model: _____

Serial No .: _____

Please fill in the table and email it within 10 days from the date of purchase.