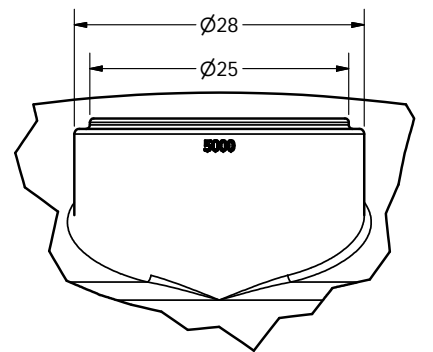
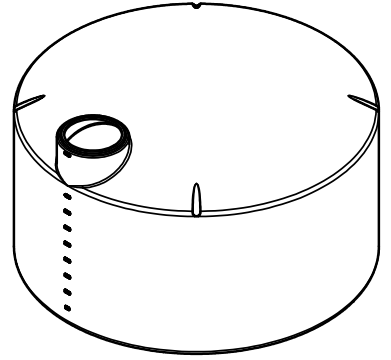



REVISION HISTORY			
REV	DESCRIPTION	DATE	AUTHOR
A	REVISED MANWAY FOR 22 LID	8/10/2009	Jerry Paulson



DETAIL A  
SCALE 1/12

DRAWN Jerry Paulson	8/10/2009	 NORWESCO, INC., ST. BONIFACIUS, MN TITLE 5000 GALLON X 141 DIAMETER VERTICAL WATER TANK, 22 INCH LID (TUNA CAN)	REV A
CHECKED			SIZE B
QA			DWG NO
MFG			
APPROVED		SCALE: 1/16	SHEET 1 OF 1