

# CHICAGO

**mc**  
*Sectionals*

marie's corner



THE BEAUTY WITHIN Goodman Book Works

# CHICAGO

Experience the utmost versatility and arrangement options with our “Chicago” sectional sofa, comprising of 20 modules. Ideal for any size of space, it seamlessly complements your living room and TV area.

Choose it for its exceptional comfort and excellent back support, ensuring a superior selection.

Beyond the traditional modules, discover an integrated table lounger, a diagonal module, and a rounded square corner for an indulgent seating experience.













Chicago pouf + 1 (no arm) + corner round + 2 (no arm) - River/01



Chicago corner diagonal LF + 1 (no arm) + 2 (no arm) - River/01





Alvin pouf - Orlan/90 | Luna table

Chicago long LF + pouf + 2 (no arm) + corner round + 1 (no arm) + Chicago long table LF - River/01









Chicago 1 LF + corner long LF + 2 (no arm) + 1 (no arm) + long RF



Chicago long LF + table + 2 (no arm) + corner long RF + 1 RF



Chicago long table LF



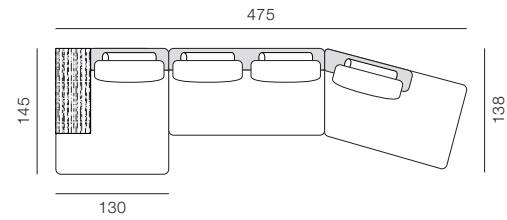


Chicago SET CH2 : long table LF + pouf + 2 (no arm) + corner long RF + 1 RF



# SUGGESTED LAYOUTS

DIMENSIONS in cm

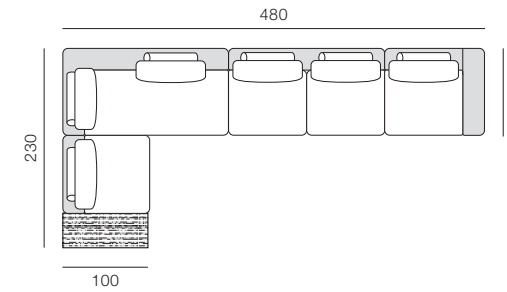


## SET CH1

- 1 x Chicago Long Table LF (left side table) | 130 x 145 cm
- 1 x Chicago 2 (no arm) | 180 x 100 cm
- 1 x Chicago Corner Diagonal LF (left facing) | 170 x 100 cm\*

\*165 x 138 cm placed in diagonal

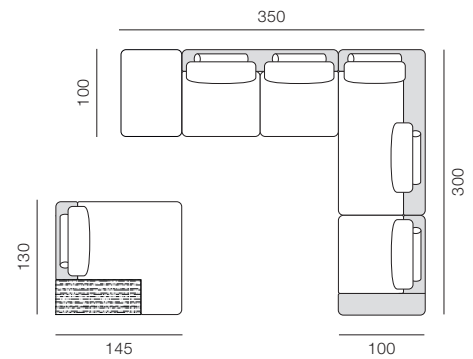
**Total size: 475 x 145 cm**



## SET CH4

- 1 x Chicago Table | 40 x 98 cm
- 1 x Chicago 1 (no arm) | 90 x 100 cm
- 1 x Chicago Corner Long RF (right facing) | 100 x 190 cm
- 1 x Chicago 2 (no arm) | 180 x 100 cm
- 1 x Chicago 1 RF (right facing) | 110 x 100 cm

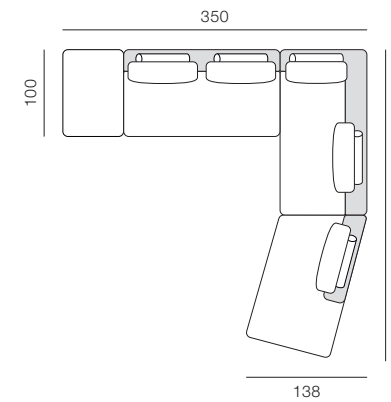
**Total size: 480 x 230 cm**



## SET CH2

- 1 x Chicago Long Table LF (left side table) | 130 x 145 cm
- 1 x Chicago Pouf | 70 x 100 cm
- 1 x Chicago 2 (no arm) | 180 x 100 cm
- 1 x Chicago Corner Long RF (right facing) | 100 x 190 cm
- 1 x Chicago 1 RF (right facing) | 110 x 100 cm

**Total size: 350 x 300 cm**

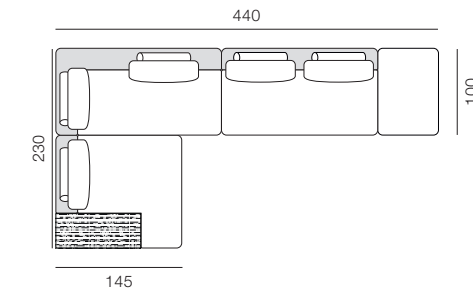


## SET CH5

- 1 x Chicago Pouf | 70 x 100 cm
- 1 x Chicago 2 (no arm) | 180 x 100 cm
- 1 x Chicago Corner Long RF (right facing) | 100 x 190 cm
- 1 x Chicago Corner Diagonal LF (left facing) | 170 x 100 cm\*

\*165 x 138 cm placed in diagonal

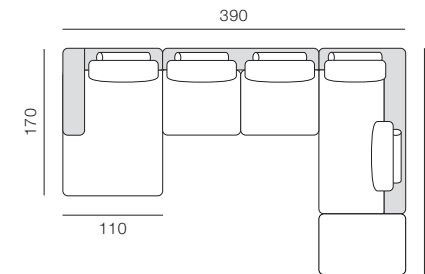
**Total size: 350 x 355 cm**



## SET CH3

- 1 x Chicago Long Table LF (left side table) | 130 x 145 cm
- 1 x Chicago Corner Long RF (right facing) | 100 x 190 cm
- 1 x Chicago 2 (no arm) | 180 x 100 cm
- 1 x Chicago Pouf | 70 x 100 cm

**Total size: 440 x 230 cm**



## SET CH6

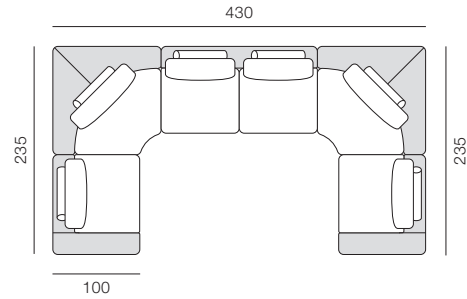
- 1 x Chicago Long LF (left facing) | 110 x 170 cm
- 1 x Chicago 2 (no arm) | 180 x 100 cm
- 1 x Chicago Corner Long RF (right facing) | 100 x 190 cm
- 1 x Chicago Pouf | 70 x 100 cm

**Total size: 390 x 260 cm**



## SUGGESTED LAYOUTS

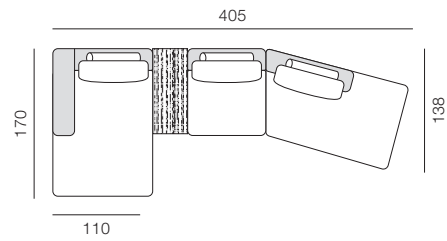
DIMENSIONS in cm



### SET CH7

- 1 x Chicago 1 LF (left facing) | 110 x 100 cm
- 1 x Chicago Corner round | 125 x 125 cm
- 1 x Chicago 2 (no arm) | 180 x 100 cm
- 1 x Chicago Corner round | 125 x 125 cm
- 1 x Chicago 1 RF (right facing) | 110 x 100 cm

Total size: 430 x 235 cm

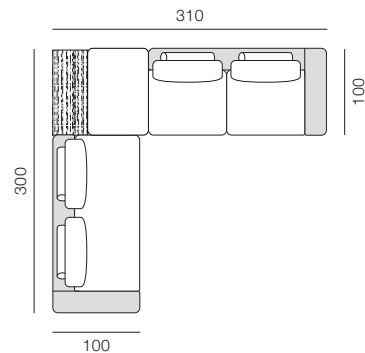


### SET CH8

- 1 x Chicago Long LF (left facing) | 110 x 170 cm
- 1 x Chicago Table | 40 x 98 cm
- 1 x Chicago 1 (no arm) | 90 x 100 cm
- 1 x Chicago Corner Diagonal LF (left facing) | 170 x 100 cm\*

\*165 x 138 cm placed in diagonal

Total size: 405 x 170 cm



### SET CH9

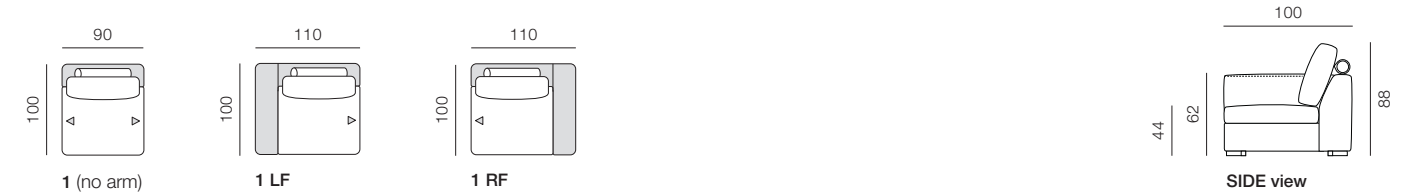
- 1 x Chicago 2 LF (left facing) | 200 x 100 cm
- 1 x Chicago Table | 40 x 98 cm
- 1 x Chicago Pouf | 70 x 100 cm
- 1 x Chicago 2 RF (right facing) | 200 x 100 cm

Total size: 310 x 300 cm

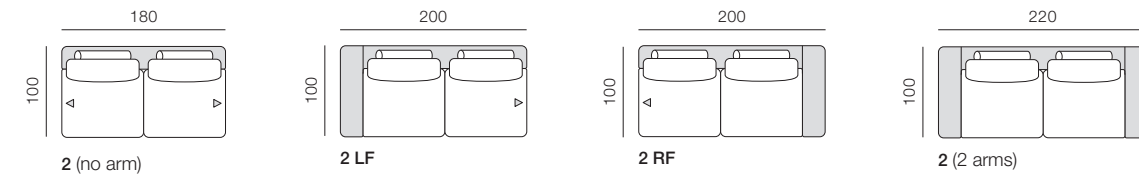
## MODULES OVERVIEW

DIMENSIONS in cm | LF (left facing) | RF (right facing)

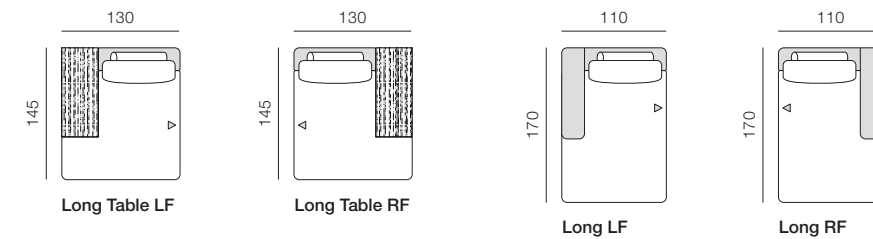
### CHICAGO 1



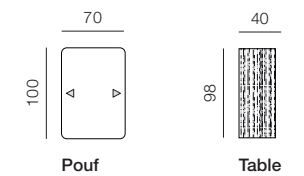
### CHICAGO 2



### CHICAGO LONG

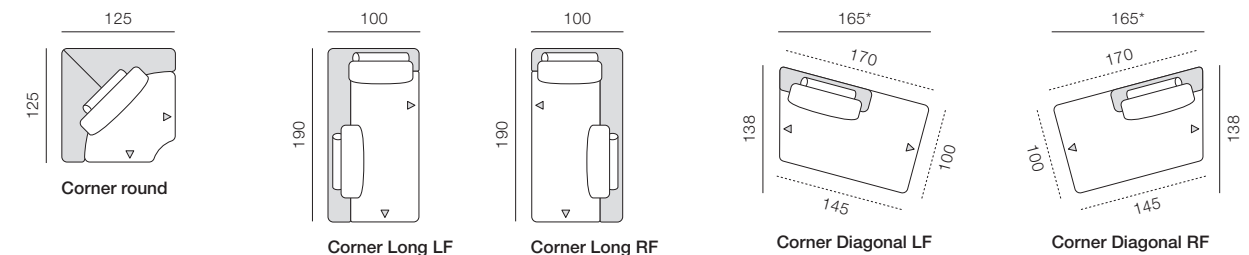


### CHICAGO POUF & TABLE



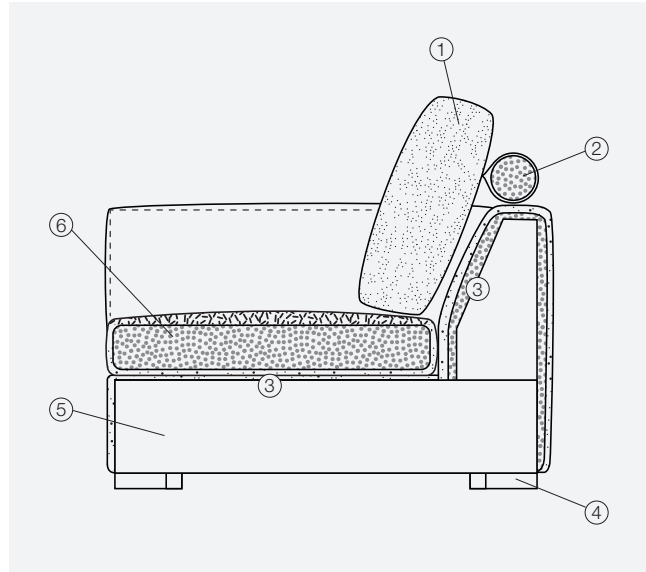
### CHICAGO CORNER

\*Corner Diagonal = 165 x 138 cm placed in diagonal





# TECHNICAL SPECIFICATIONS



## CONSTRUCTION & COMFORT

- ① Back cushions with polyester fibre and microfibre.
  - ② Bolster backrest support in foam 25 kg/m<sup>3</sup>, fixed to the back cushion.
  - ③ Stretch belts seat & back.
  - ④ Solid beechwood legs.
  - ⑤ Beech wood and Scandinavian hardpine frame (mortise & tenon construction) covered with foam & fibre.
  - ⑥ Seat cushion (non-reversible) with polyurethane foam 35 kg/m<sup>3</sup> with a layer made of viscoelastic flakes and fibre.
- + All cushions covers (included bolster) are removable.



## FINISHING

### Fabrics

Choose from over 700 fabrics from the Marie's Corner collection or with your own brand of fabric.

See on our website or in showroom.

### Beech wood



### Oak wood

for tables only



SEE MORE ABOUT CHICAGO







[www.mariescorner.com](http://www.mariescorner.com)