

# DM02

250w,350w & 500w



# DESCRIPTION

## DM02 MID DRIVE MOTOR

DM02 is one of the ultimate e-bike mid-drive motor , it is used by electric bicycle manufacturers to produce a good durable electric #bicycle .

It is made of #Aluminum alloys so it has a high resistance to rust , corrosion , dust , humidity and other environment materials .

It has a high durability and low maintenance

Integrated high-speed motor core (motor core speed > 6000rpm), achieve good mute effect, with high gear ratio (40.27) , high motor output, make the motor start fast and with strong climbing ability  
Easy to install,

Bilateral pure torque sensor , achieved perfect human – machine coordination.

Fits 95% of standard bike frames.

68mm ~ 73mm & 100mm ~ 110mm two types of bottom bracket width, wide range of applications.

The clutch is integrated on the big gear.

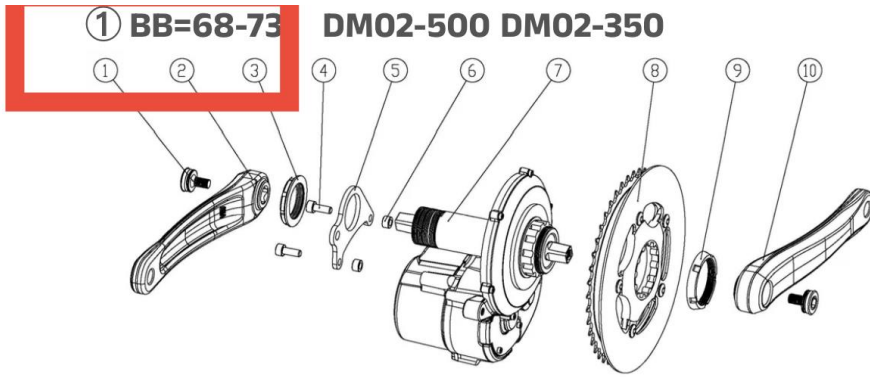
The bottom bracket is completely disengaged from the gear when cycling, even when there is no electric power.

The #motor #gear and the center axle will not cause heavy riding due to the extra gear structure, just as easy as riding a normal bicycle.

FOC vector controller , high efficiency , low noise fast – response.

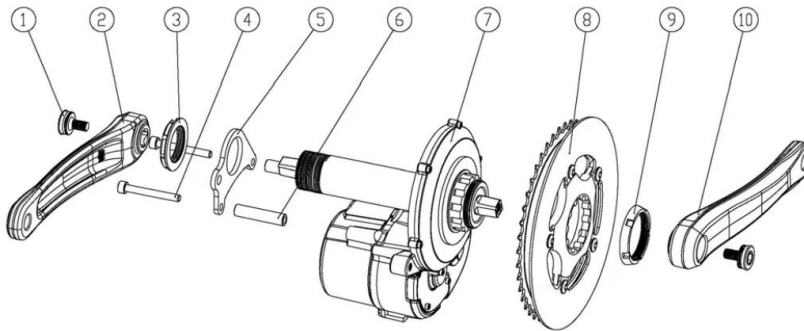
## ADDITIONAL INFORMATIONS

<b>Mounting Position</b>	<i>Central</i>
<b>Shell Color</b>	<i>Black / Silver</i>
<b>Rated Power</b>	<i>250W - 350W - 500w</i>
<b>Rated Voltage</b>	<i>36V/48V</i>
<b>Wheel Size</b>	<i>20'~29'</i>
<b>Max. Speed</b>	<i>100rpm</i>
<b>Max. Output Torque</b>	<i>90N.m</i>
<b>Speed Ratio</b>	<i>53</i>
<b>Assist Ratio</b>	<i>2.5-3</i>
<b>Efficiency</b>	<i>&gt; 80%</i>
<b>Sensor Style</b>	<i>Cadense/Torque</i>
<b>Teeth Species</b>	<i>42T 46T</i>
<b>Noise Level</b>	<i>&lt; 50dB</i>
<b>Work Temperature</b>	<i>-20°C-50°C</i>
<b>Motor Weight</b>	<i>3.6-3.9Kg</i>
<b>Waterproof Level</b>	<i>IP65</i>



Component Part	Specification	Qty	BB=68	BB=73
Axle Screw	M8X1X15	2	✓	✓
Left Crank	170mm	1	✓	✓
Non-standard Nut	M33.5X1.5	1	✓	✓
Screw	See Column 4 or 5	2	M6 X14	M6 X20
Reinforced Plates		1	✓	✓
Lock washer	See Column 5	2	×	Φ6 X5
Drive Unit	DM02-500 or DM02-350	1	✓	✓
Crankset	42T or 46T	1	✓	✓
Locknut	M42X1.5	1	✓	✓
Right Crank	170mm	1	✓	✓

② BB=100-110 DM02L-500 DM02L-350

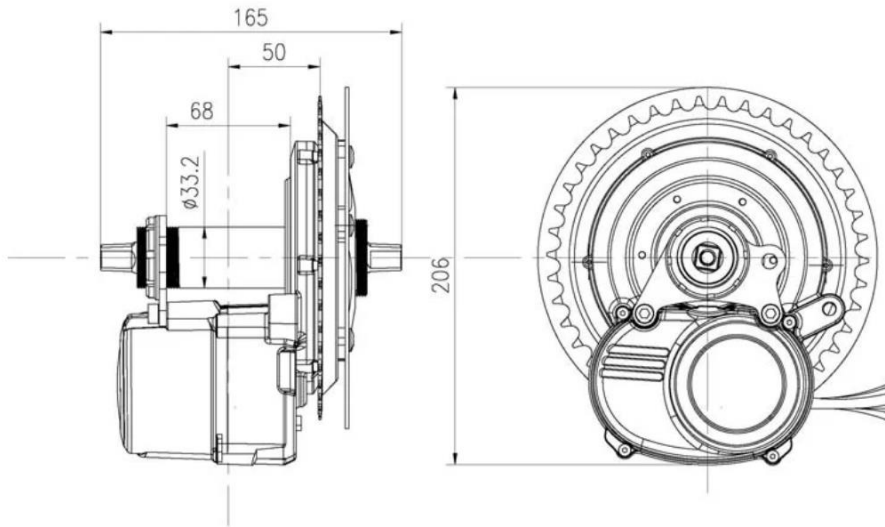


Component Part	Specification	Qty	BB =68	BB =73
Axle Screw	M8X1X15	2	√	√
Left Crank	170mm	1	√	√
Non-standard Nut	M33.5X1.5	1	√	√
Screw	See Column 4 or 5	2	M6 X45	M6 X55
Reinforced Plates		1	√	√
Bushing	See Column 5	2	Φ6 X32	Φ6 X42
Drive Unit	DM02L-500 or DM02L-350	1	√	√
Crankset	46T	1	√	√



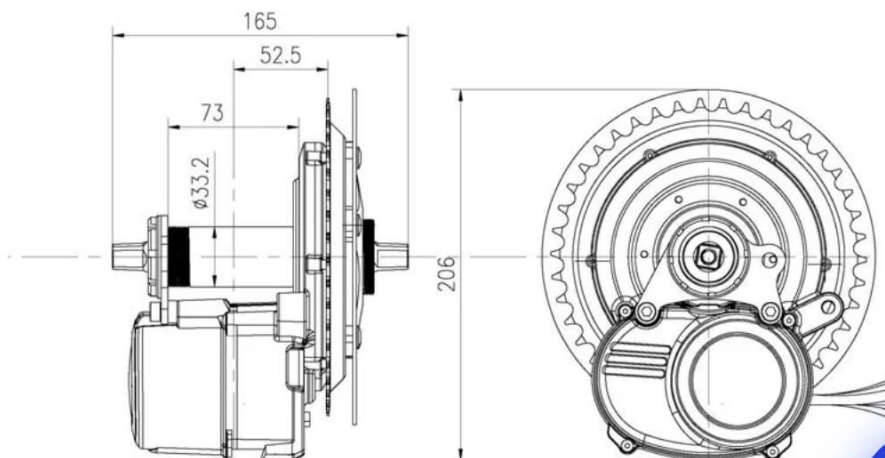
① **BB=68 CL=50(or 59)**

**Model: DM02-500 DM02-350**



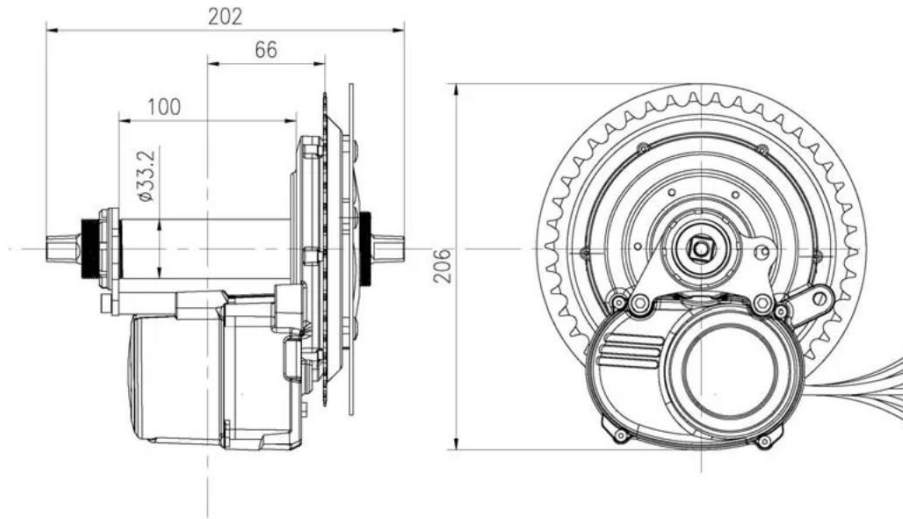
② **BB=73 CL=52.5(or 61.5)**

**Model: DM02-500 DM02-350**



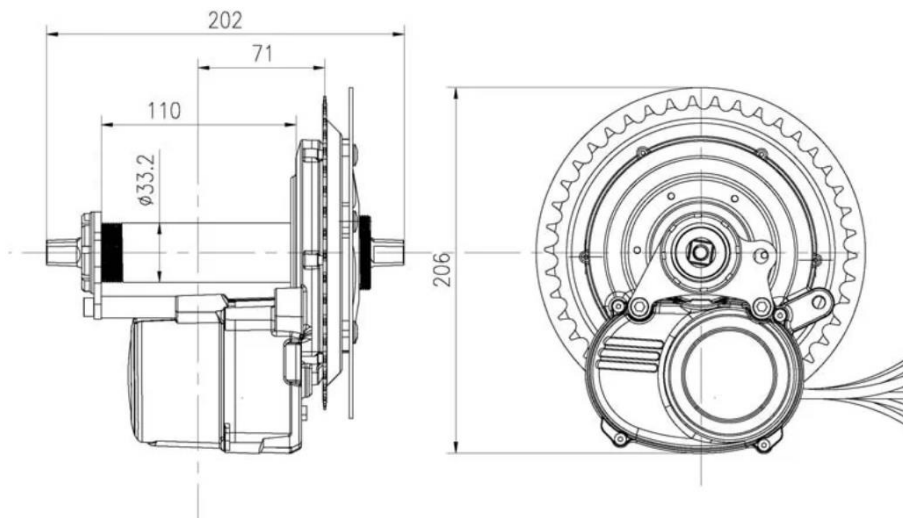
③ **BB=100 CL=66(or 75)**

**Model: DM02L-500 DM02L-350**



④ **BB=110 CL=71(or 80)**

**Model: DM02L-500 DM02L-350**







DM-02