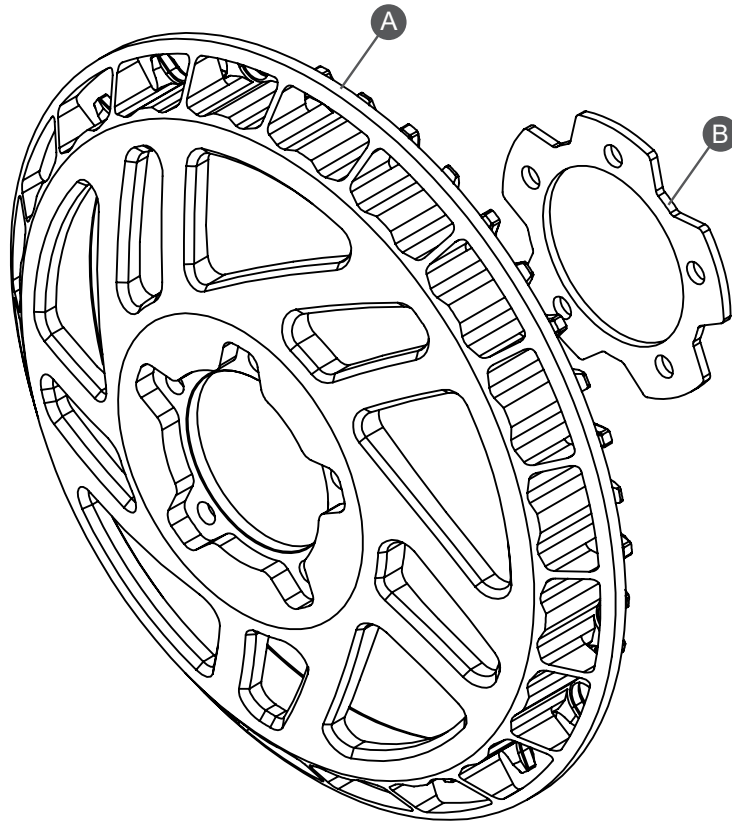


TIPS AND TRICKS

FOR BLING RING PRO 42T HD
COMPATABLE WITH **BAFANG BBS01/BBS02/BBSHD**

INCLUDES

- A** 1X LEKKIE BLING RING PRO 42T HD
- B** 1X 2MM BLING RING HD SPACER



TOOLS REQUIRED

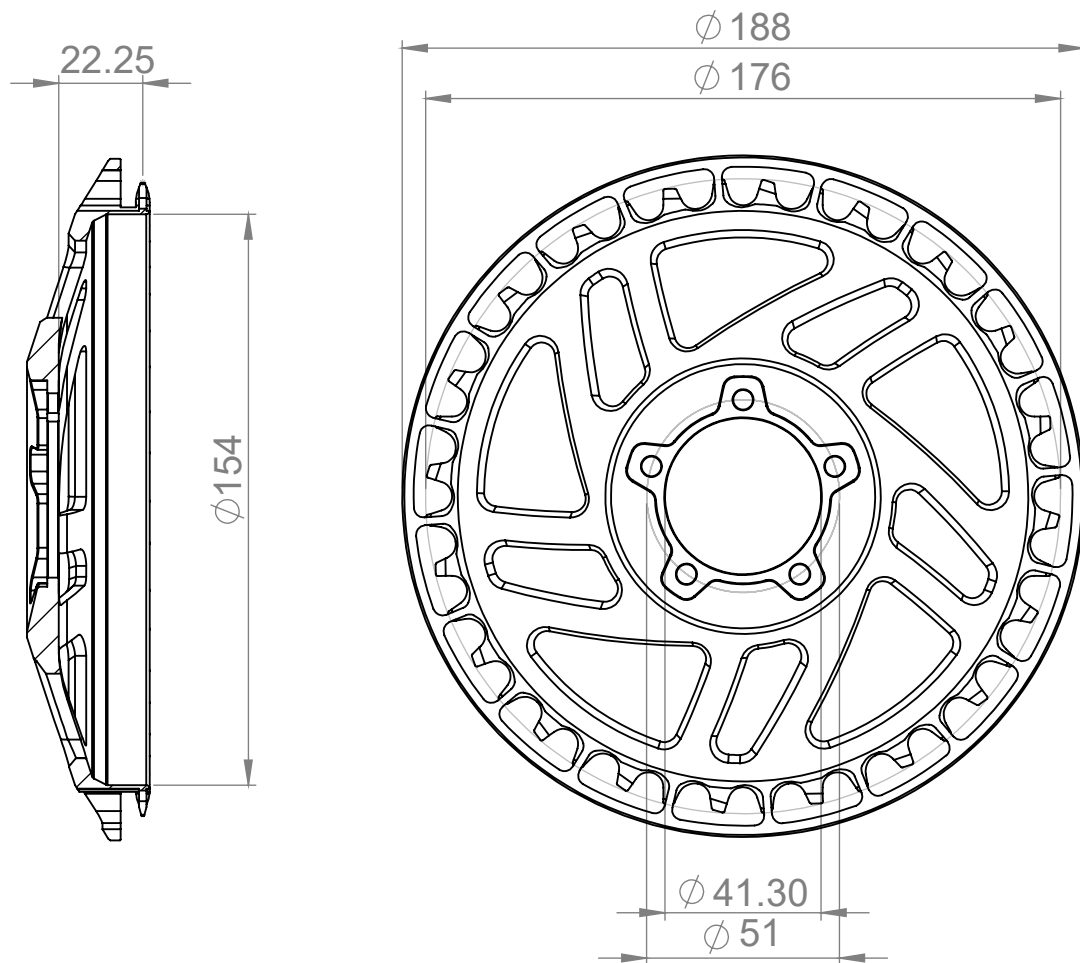
- 4mm hex/Allen key

INSTALL TIPS

- Clean and lubricate axle with a multi-purpose grease before install.
- Apply Loctite 243 to bolt thread.
- Always install a new chain when installing a Bling Ring
- If you are offsetting by more than 2mm use longer bolts.
- Make sure when you install your Bling Ring you have at least 1.5mm gap between wide tooth and chainstay to allow flex.
- Tighten to 6Nm
- Try to get the chainline to the centre of your cassette - see below for details.
- Clean and lubricate chain regularly.
- DO NOT use half links in the chain.
- Always grease axle before re-installing cranks.

DIMENISONS

Here are the basic dimensions of the Bling Ring. Note the image is just an illustration to explain the drawing.



Note the package includes a 2mm Spacer so that you can space the Bling Ring out to clear chain-stays but you may require more spacers. Just remember to install longer bolts if you are spacing the Bling Ring out. We decided to offset the Bling Ring an extra 2mm so that users could try get that perfect chainline for the 73mm BB frames. If you are building a 73mm BB frame try installing without the spacer. You should have at least 1.5mm gap between the ring and chain-stay.

Measurements in mm, illustration not to scale.

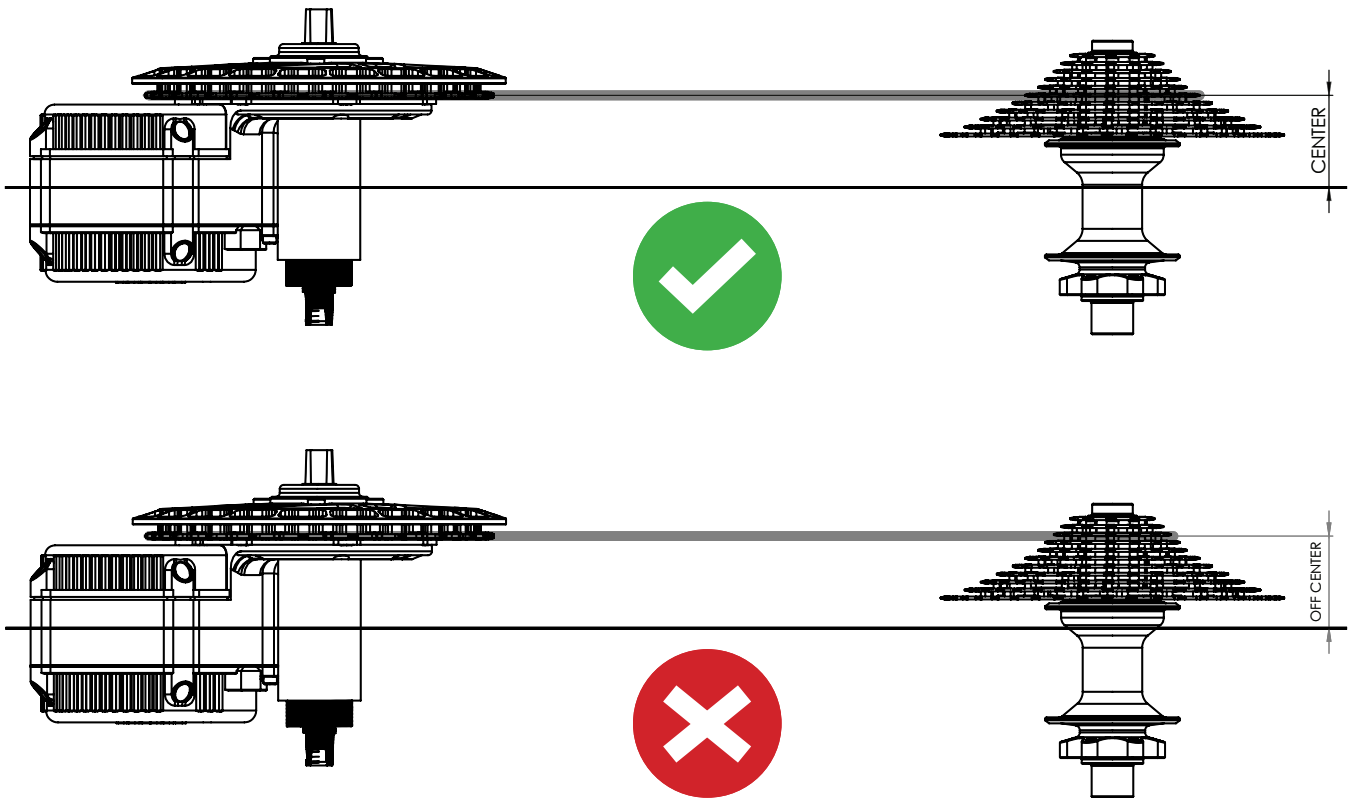
V1 42T PRO Doc-V1.0

CHAINLINE

When building your machine, you want to replicate the chainline that was on the bike before you converted it. The ideal the chainline aligns the chainring teeth with the centre of your cassette as shown below. A non-optimal chainline will increase wear on components.

The BLINGRING is designed for optimal chainline, however you may need to adjust chainring offset using spacers to get that chainline perfectly suited to the unique geometry of your build.

A central chainline may not be possible on all frames. In this case do the best you can to get the chain central.



CHAIN COMPATIBILITY

The Lekkie BLINGRING PRO is compatible with most chains up to 12-speed but suits 10-12-speed best. Some chains do not fit so if you are unsure please get in touch with us.

GEOMETRY

The 40T, 42T and 46T offset gives you the best possible chainline without interfering with the motor. However chainstay interference can be a big issue in building your bike - the larger the sprocket the closer the chainstay gets, so you may need to use a spacer to clear the chainstay.

WARRANTY

At Lekkie we don't accept anything but the best workmanship and quality. If a part has slipped through our QC system and made it to your hands let us know and we will put it right.

If one of our products fails we want to know so we can make our products better. If you destroy a lekkie product in extreme use tell us. We can learn from this and sell you something to suit your needs.

If you are in any way unhappy with your Lekkie product get in touch so we can put it right.