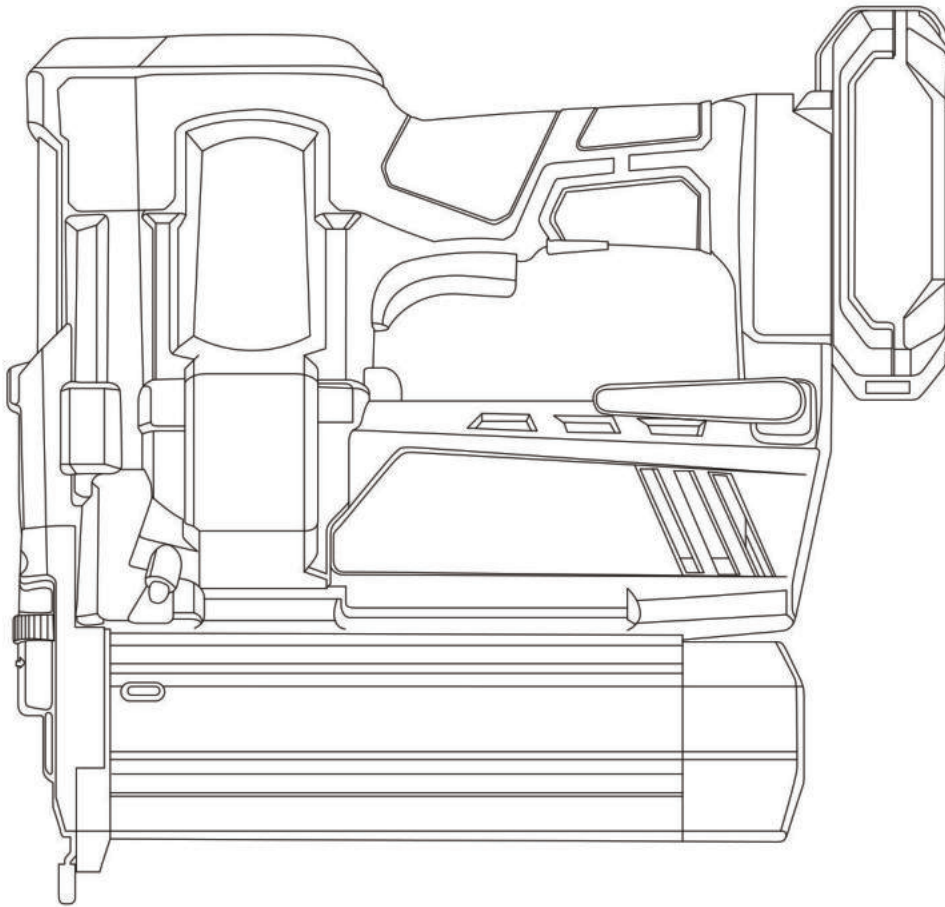


KIMO

INSTRUCTION MANUAL



MODEL 9418A

2-IN-1 18 GAGUE CORDLESS BRAD
NAILER/STAPLER

www.kimotool.com

If you have questions or comments, contact us at

service@kimotools.com

GENERAL SAFETY RULES 1

ADDITIONAL SAFETY RULES FOR OPERATION 7

IMPORTANT SAFETY FOR ALL BATTERY PACKS 8

SPECIFIC SAFETY FOR LITHIUM-ION 9

IMPORTANT SAFETY FOR ALL BATTERY CHARGERS 10

COMPONENTS AND SPECIFICATIONS 12

SPECIFIC INSTRUCTIONS 14

- Installing and Removing the Battery Pack from the Tool
- Loading Fasteners
- Depth Adjustment
- Firing Modes Selection and Operation
- Jams Clearing

CHARGING PROCEDURE 23

TROUBLESHOOTING 26

MAINTENANCE 28

WARRANTY 29

SAVE THIS INSTRUCTIONAL MANNUAL FOR FUTURE REFERENCE.

Definitions: Safety Guidelines

The definitions below describe the level of severity for each signal word. Please read the manual and pay attention to these symbols.

WARNING: Indicates a potentially hazardous situation which, if not avoided, **could** result in **death or serious injury**.

CAUTION: Indicates a potentially hazardous situation which, if not avoided, **may** result in **minor or moderate injury**.

NOTE: Indicates a practice not related to personal injury which, if not avoided, **may** result in **property damage**.



WARNING! Read and understand all instructions. Failure to follow all instructions listed below may result in electric shock, fire and/or serious personal injury.

GENERAL SAFETY RULES

WORK AREA SAFETY

- **Keep your work area clean and well lit.** Cluttered benches and dark areas invite accidents.
- **Do not operate power tools in explosive atmospheres, such as in the presence of flammable liquids, gases, or dust.** Power tools create sparks which may ignite the dust or fumes.

- **Keep bystanders, children, and visitors away while operating a power tool.** Distractions can cause you to lose control.
- **Keep proper footing and balance at all times.** Proper footing and balance enable better control of the tool in unexpected situation.

ELECTRICAL SAFETY

- **Don't expose power tools to rain or wet conditions.** Water entering a power tool will increase the risk of electric shock.
- **The chargers power plug must match the outlet.** Never modify the plug or plug the tool into outlets that do not match the plug.
- **Avoid to contact with grounded elements such as metal tables, pipes, ranges or refrigerators.** Contact with these elements can put you at a risk of electrical shock.
- **Always inspect electrical cord for damage before and after use.** A damaged cord can cause electrical shock.
- **If the user must use the tool in damp conditions, use a ground fault circuit interrupter (GFCI).**

PERSONAL SAFETY

- **Stay alert, watch what you are doing and use common sense when operating a power tool.** Do not use tool while tired or under the influence of drugs, alcohol, or medication. A moment of inattention while operating power tools may result in serious personal injury.
- **Dress properly. Do not wear loose clothing or jewelry. Contain long hair. Keep your hair, clothing, and gloves away from moving parts.** Loose clothing, jewelry, or long hair can be caught in moving parts. Air vents often cover moving parts and should also be avoided.

- **Use personal protective equipment. Always wear eye protection.** Protective equipment such as dust mask, non-skid safety shoes, hard hat, or hearing protection used for appropriate conditions will reduce personal injuries.
- **Avoid accidental starting. Be sure switch is off before plugging in.** Carrying tools with your finger on the switch or plugging in tools that have the switch on invites accidents.
- **Do not overreach. Keep proper footing and balance at all times.** Proper footing and balance enable better control of the tool in unexpected situations.
- **If devices are provided for the connection of dust extraction and collection facilities, ensure these are connected and properly used.** Use of dust collection can reduce dust-related hazards.
- **Avoid prolonged use.** The tool's repetitive motion and vibration can cause harm to your hands or arms. The user can use gloves for extra cushion, take frequent breaks and limits daily use to prevent this issue.
- **Never place hands or any other body parts close to the shoe of the tool.** The tool could result in death or serious personal injury.
- **For overhead work, wear safety helmet.**

POWER TOOL USE AND CARE

- **Know this tool.** Read this manual carefully, learn its applications and limitations, as well as the specific potential hazards related to this tool.
- **Use only accessories that are recommended by the manufacturer for your model.** Accessories that may be suitable for one tool, may become hazardous when used on another tool.

- **Use clamps or other practical way to secure and support the work piece to a stable platform.** Holding the work by hand or against your body is unstable and may lead to loss of control.
- **Always have a firm footing and grip on the tool to counteract any force that may be enacted during the operation of the tool.**
- **Practice safe working practices and ensure all relevant legal requirements are being followed when using this tool.**
- **Never point the tool at the user or others in the work area.** This could cause serious injury.
- **Never use this tool in a manner that could cause a saw blade to be directed toward anything other than the workpiece**
- **Do not force tool. Use the correct tool for your application.** The correct tool will do the job better and safer at the rate for which it is designed.
- **Do not use tool if switch does not turn it on or off.** Any tool that cannot be controlled with the switch is dangerous and must be repaired.
- **Store idle tools out of reach of children and other untrained persons.** Tools are dangerous in the hands of untrained users.
- **Maintain tools with care.** Keep cutting tools sharp and clean. Properly maintained tools, with sharp cutting edges are less likely to bind and are easier to control.
- **Check for misalignment or binding of moving parts, break-age of parts, and any other condition that may affect the tool's operation.** If damaged, have the tool serviced before using. Many accidents are caused by poorly maintained tools.

- **Before making adjustments, changing accessories, or storing the tool, please disconnect the tool from the battery.** This will reduce the risk of injury from the power tool.
- **Maintain the tool with care.** A properly maintained tool will function more smoothly and prevent binding, making it easier to use.
- **Check operation of the tool before use.** Do not use the tool if the workpiece contact mechanism is not working correctly as accidental driving of a fastener may occur.
- **Do not use the tool if the trigger does not actuate properly.** Any tool that cannot be controlled with the trigger is dangerous and must be repaired.
- **Do not use this tool as a hammer.**
- **Do not drop or throw this tool. Dropping or throwing the tool can result in damage that will make the tool unusable or unsafe.** If the tool has been dripped or thrown, examine the tool closely for bent, cracked or broken parts. STOP and repair before using or serious injury could occur.

BATTERY USE AND CARE

- **Only use batteries that are recommended for this tool by the manufacturer.** Use any other battery may cause risk of injury or fire.
- **Recharge only with the charger specified by the manufacturer.** A charger that is suitable for one type of battery pack may create a risk of fire when used with another battery pack.
- **Use power tools only with specifically designated battery packs.** Use of any other battery packs may create a risk of injury and fire.

- **When battery pack is not in use, keep it away from other metal objects like paper clips, coins, keys, nails, screws, or other small metal objects that can make a connection from one terminal to another.** Shorting the battery terminals together may cause burns or a fire.
- **Under abusive conditions, liquid may be ejected from the battery; avoid contact. If contact accidentally occurs, flush with water. If liquid contacts eyes, additionally seek medical help.** Liquid ejected from the battery may cause irritation or burns.
- **Do not use a battery pack or tool that is damaged or modified.** Damaged or modified batteries may exhibit unpredictable behavior resulting in fire, explosion or risk of injury.
- **Do not expose a battery pack or tool to fire or excessive temperature.** Exposure to fire or temperature above 265°F (130°C) may cause explosion.
- **Follow all charging instructions and do not charge the battery pack or tool outside the temperature range specified in the instructions.** Charging improperly or at temperatures outside the specified range may damage the battery and increase the risk of fire.
- **Before cleaning the charger, make sure to unplug it from any power source.** This will reduce the risk of an electrical shock.

TOOL SERVICE

- **Recharge only with the charger specified by the manufacturer.** A charger that is suitable for one type of battery pack may create a risk of fire when used with another battery pack.

- **Never service damaged battery packs.** Service of battery packs should only be performed by the manufacturer or authorized service providers.
- **Tool service must only be performed by a qualified repair personnel.**

ADDITIONAL SAFETY RULES FOR OPERATION

- **Do not drive fasteners near the edge of the material.** The workpiece may split causing the fastener to ricochet injuring you or people in the work area.
- **Do not operate this tool for long periods of time.** Vibration caused by hammer action may be harmful to your hands and arms. Use gloves to provide extra cushion and limit exposure by taking frequent rest periods.
- **Do not carry the tool for place to place while holding the trigger.** Accidental discharge could result.
- **Do not drive fasteners on top of other fasteners or with the tool at an overly steep angle as this may cause deflection of fasteners which could cause injury.**
- **Do not actuate the tool unless you intend to drive a fastener into the workpiece.**
- **Always handle the tool with care:**
 - Respect the tool as a working implement;
 - Never engage in horseplay;
 - Never pull the trigger unless nose is directed toward the workpiece;
 - Keep others at a safe distance from the tool while tool is in operation as accidental actuation may occur, possibly causing injury.



WARNING! If any parts are missing, do not operate this tool until the missing parts are replaced. Failure to do so may result in serious personal injury. Please contact us for the missing parts.

IMPORTANT SAFETY FOR ALL BATTERY PACKS

The battery pack is not fully charged out of the carton. Before using the battery pack and charger, read the safety instructions below and then follow charging procedures outlined.

- **Do not charge or use the battery pack in explosive atmospheres, such as in the presence of flammable liquids, gases or dust.** Inserting or removing the battery pack from the charger may ignite the dust or fumes.
- **NEVER force the battery pack into the charger. Do not modify the battery pack in any way to fit into a non-compatible charger as battery pack may rupture causing serious personal injury.**
- Charge the battery packs only in designated **KIMO** chargers.
- **DO NOT** splash or immerse in water or other liquids.
- **Do not store or use the tool and battery pack in locations where the temperature may reach or exceed 104 °F (40 °C) (such as outside sheds or metal buildings in summer).** For best life store battery packs in a cool, dry location.

NOTE: Do not store the battery packs in a tool with the trigger switch locked on. Never tape the trigger switch in the ON position.



WARNING! Fire hazard. Never attempt to open the battery pack for any reason. If the battery pack case is cracked or damaged, do not insert into the charger. Do not crush, drop or damage the battery pack. Do not use a battery pack or charger that has received a sharp blow, been dropped, run over or damaged in any way (e.g., pierced with a nail, hit with a hammer, stepped on). Damaged battery packs should be returned to the service center for recycling.



WARNING! Fire hazard. Do not store or carry the battery pack so that metal objects can contact exposed battery terminals. For example, do not place battery pack in aprons, pockets, tool boxes, product kit boxes, drawers, etc., with loose nails, screws, keys, etc. **Transporting batteries can possibly cause fires if the battery terminals inadvertently come in contact with conductive materials such as keys, coins, hand tools and the like.** The US Department of Transportation Hazardous Material Regulations (HMR) actually prohibit transporting batteries in commerce or on airplanes (e.g., packed in suitcases and carry-on luggage) UNLESS they are properly protected from short circuits. So when transporting individual battery packs, make sure that the battery terminals are protected and well insulated from materials that could contact them and cause a short circuit.

SPECIFIC SAFETY FOR LITHIUM-ION

- **Do not incinerate the battery pack even if it is severely damaged or is completely worn out.** The battery pack can explode in a fire. Toxic fumes and materials are created when lithium ion battery packs are burned.
- **If battery contents come into contact with the skin, immediately wash area with mild soap and water.** If battery liquid gets into the eye, rinse water over the open eye for 15 minutes or until irritation ceases. If medical attention is needed, the battery electrolyte is composed of a mixture of liquid organic carbonates and lithium salts.

- **Contents of opened battery cells may cause respiratory irritation.** Provide fresh air. If symptoms persist, seek medical attention.



WARNING! Burn hazard. Battery liquid may be flammable if exposed to spark or flame.

IMPORTANT SAFETY FOR ALL BATTERY CHARGERS

- **DO NOT attempt to charge the battery pack with any chargers other than the ones in this manual.** The charger and battery pack are specifically designed to work together.
- **These chargers are not intended for any uses other than charging KIMO rechargeable batteries.** Any other uses may result in risk of fire, electric shock or electrocution.
- **Do not expose the charger to rain or snow.**
- **Pull by the plug rather than the cord when disconnecting the charger.** This will reduce the risk of damage to the electric plug and cord.
- **Make sure that the cord is located so that it will not be stepped on, tripped over or otherwise subjected to damage or stress.**
- **Do not use an extension cord unless it is absolutely necessary.** Use of improper extension cord could result in risk of fire, electric shock or electrocution.
- **When operating a charger outdoors, always provide a dry location and use an extension cord suitable for outdoor use.** Use of a cord suitable for outdoor use reduces the risk of electric shock.

- **Do not place any object on top of the charger or place the charger on a soft surface that might block the ventilation slots and result in excessive internal heat.** Place the charger in a position away from any heat source. The charger is ventilated through slots in the top and the bottom of the housing.
- **Do not operate the charger with a damaged cord or plug.**
- **Do not operate the charger if it has received a sharp blow, been dropped or otherwise damaged in any way. Contact us immediately.**
- **Do not disassemble the charger; take it to an authorized service center when service or repair is required.** Incorrect reassembly may result in a risk of electric shock, electrocution or fire.
- **Disconnect the charger from the outlet before attempting any cleaning.** This will reduce the risk of electric shock. Removing the battery pack will not reduce this risk.
- **NEVER** attempt to connect 2 chargers together.
- **The charger is designed to operate on standard 120V household electrical power. Do not attempt to use it on any other voltage.** This does not apply to the vehicular charger.



WARNING! Shock hazard. Do not allow any liquid to get inside the charger. Electric shock may result.



CAUTION! Burn hazard. To reduce the risk of injury, charge only KIMO rechargeable battery packs. Other types of batteries may overheat and burst resulting in personal injury and property damage.

NOTICE: Under certain conditions, with the charger plugged into the power supply, the charger can be shorted by foreign material. Foreign materials of a conductive nature, such as, but not limited to, grinding dust, metal chips, steel wool, aluminum foil or any buildup of metallic particles should be kept away from the charger cavities. Always unplug the charger from the power supply when there is no battery pack in the cavity. Unplug the charger before attempting to clean.



WARNING! Never modify the power tool or any part of it. Damage or personal injury could result.

COMPONENTS AND SPECIFICATIONS



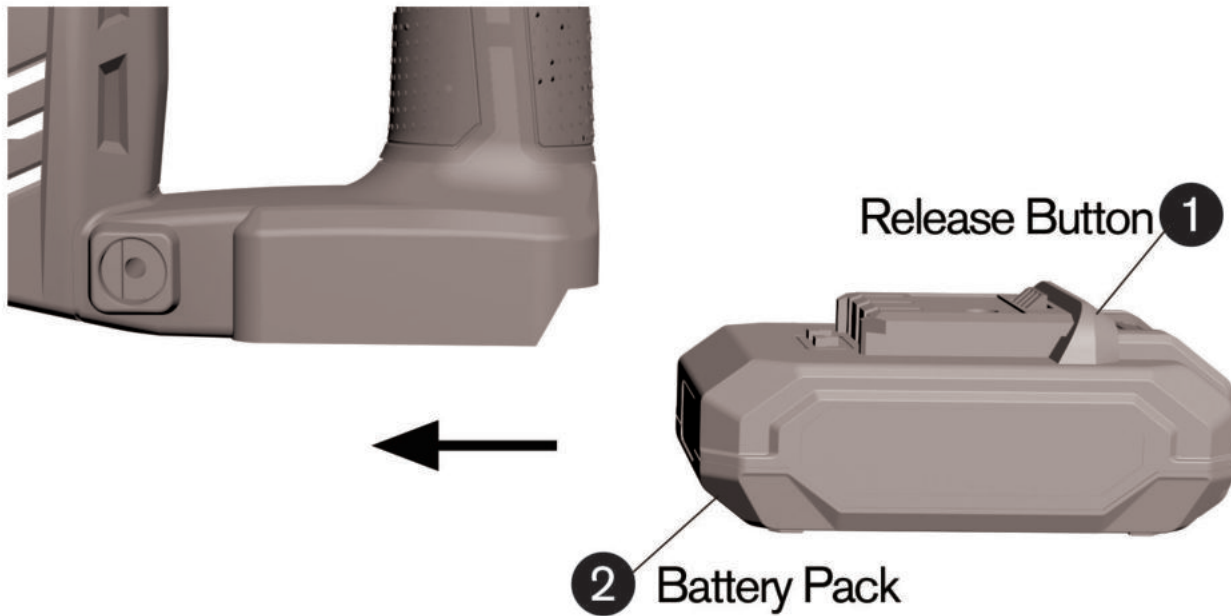
- | | |
|-------------------------------|----------------------------|
| 1. Trigger | 7. Safety Contact Pin |
| 2. LED Lighting Switch | 8. Magazine |
| 3. Depth Adjustment Wheel | 9. Belt Hook |
| 4. Single/Contact Firing Knob | 10. Battery Pack |
| 5. LED Indicator | 11. Battery Release Button |
| 6. LED Lighting (two sides) | 12. Cylinder |

Model	9418A
Voltage	20V
Battery Specification	Li-ion, 2.0 Ah, 2000mAh
Battery Charger	120V, 60Hz
Charging Time	1 Hour
Firing Speed	MAX 80 Nails/Minute
Max Magazine Capacity	100 Nails
Max Length of Nails	2"(50mm), 18 Gauge
Max Length of Staples	1-5/8"(40mm), 18 Gauge
Weight	6.2lbs

Fastener Length		Fastener Gauge
MIN.	MAX.	GAUGE
3/4"	2"	18 GA Brad Nail
3/4"	1-5/8"	18 GA 1/4" Staples

SPECIFIC INSTRUCTIONS

Installing and Removing the Battery Pack from the Tool



NOTE: For best results, make sure your battery pack is fully charged.

NOTE: Operating temperature of this tool is 19 ° to 104 °F (-7 ° to +40 °C). Using the tool outside of this temperature range will decrease the life of the tool.

To install the battery pack (①) into the tool handle, align the battery pack with the rails inside the tool handle and slide it into the handle until the battery pack is firmly seated in the tool and ensure that it does not disengage.

To remove the battery pack from the tool, press the release button (②) and firmly pull the battery pack out of the tool handle. Insert it into the charger as described in the charger section of this manual.

Loading Fasteners



WARNING! The tool may fire when it is first connected to the power source. Always disconnect the tool to the power source before loading fasteners to prevent injury from unintended cycling. Always make sure the tool's magazine is empty at the beginning of each work session, before connecting to the power source.



WARNING! Only use fasteners that are recommended for use with this tool by the manufacturer. Fasteners not identified for use with this tool by the tool's manufacturer could result in a risk to persons or tool damage when used in this tool.

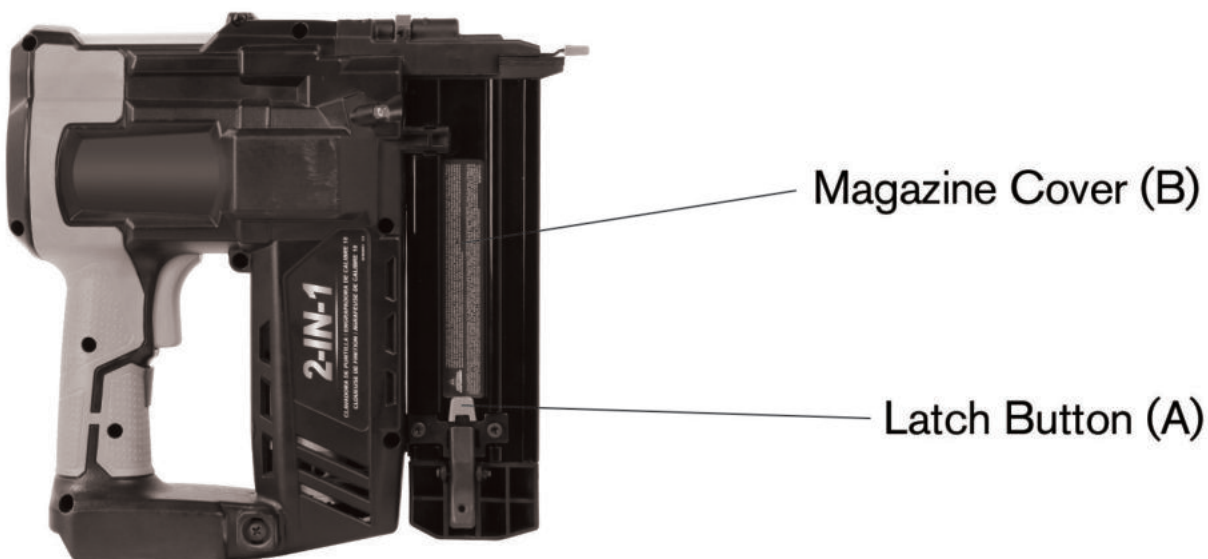


WARNING! Keep the tool pointed away from yourself and others when loading fasteners. Failure to do so could result in serious personal injury.



WARNING! Never load fasteners with the workpiece contact or trigger activated. Doing so may result in possible serious personal injury.

1. Push down on the latch button (A) – on the back side; pull back on the magazine cover (B).



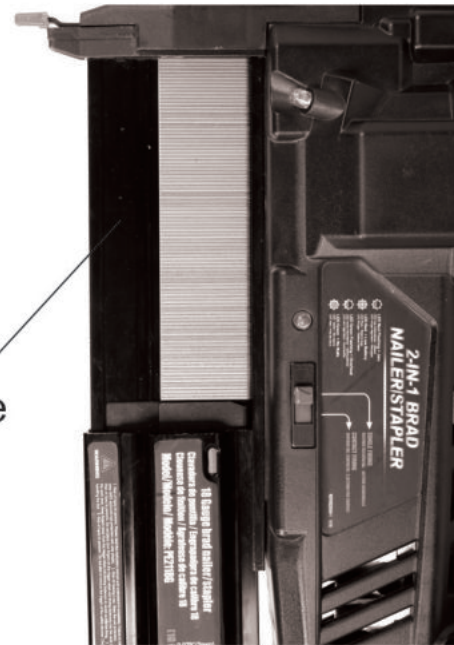
2. Insert a stick of fasteners into the magazine rail (C).

To insert brad nails, the pointed ends of the fasteners are resting on the bottom edge of the magazine when loading.

To insert staples, the head of the staples are resting on the top of the magazine.



Brad Nails



Magazine Rail (C)

Narrow Crown Staples



3. Push the magazine cover (B) forward until the latch button pops up.

NOTE: Do not place fasteners of different length. Do not place staples and nails mixed together.

Unloading Fasteners

1. Remove battery;
2. **Push down** on the latch button (A). **Pull back** on the magazine cover (B);
3. **Remove** all fasteners from the magazine rail (C);
4. **Push** the magazine cover (B) forward until the latch button pops up.



WARNING! Always unload all fasteners before removing the tool from service.



WARNING! Always discount the power source before unloading.

Depth Adjustment

The driving depth of the fasteners is adjustable. To adjust the depth, use the drive depth adjustment wheel (D) on the top of the tool's nose.

Adjustment
Wheel (D)



To increase the fastener depth of drive, rotate the wheel in a **clockwise** direction when the nose of the tool is pointed away from you.

NOTE: It is advisable to test the depth of drive on a scrap workpiece to determine the required depth of the application.

Firing Modes Selection and Operation

Intended Use: The machine is intended for tacking of cardboard, insulating material, fabric, foils, leather and similar materials on surfaces of wood or materials similar to wood. The machine is not suitable for the attachment of wall.

Modes of Firing: Single Firing & Contact Firing

1. Single Firing
2. Contact Firing



A. Single Firing Mode:

Push the Fire Selection Switch (E) to left side, indicating “Single Firing”. Single Firing is designed for precision placement.



Step 1: Depress the safety contact pin against the work piece.

Step 2: Squeeze the trigger to fire the nails; Released the trigger and safety contact pin after firing.

Step 3: Firing next staple or nail, repeat step 1 and step 2.

Note: The safety contact pin must be depressed before the trigger is squeezed.

B. Contact Firing Mode:

Push the Fire Selection Switch to right side, indicating “ Contact Firing Mode”. Contact Firing is good for conveniently and quickly firing.



Step 1: Squeeze the trigger, keep squeezing and don't release.

Step 2: Depress the safety contact pin against the work piece to fire the nail or staple; Keep squeezing the trigger all the time but released safety contact pin after firing.

Step 3: Firing next staple or nail, repeat step 2.

Note: The trigger must be keep squeezing all the time during the safety contact pin is being depressed time by time.



WARNING! Always know the operational mode of the tool before use. Failure to check the mode may result in serious personal injury.



WARNING! An improperly functioning tool must not be used. Do not actuate the tool unless the tool is placed firmly against the work place.



Caution! Always check the operation of the **safety contact** pin before each use. The contact pin must move freely without binding through its entire travel distance.

The spring of contact pin must return the pin to its fully extended position after being depressed. Do not operate the tool if the safety contact pin is not operating properly.



← Safety Contact Pin

Jams Clearing

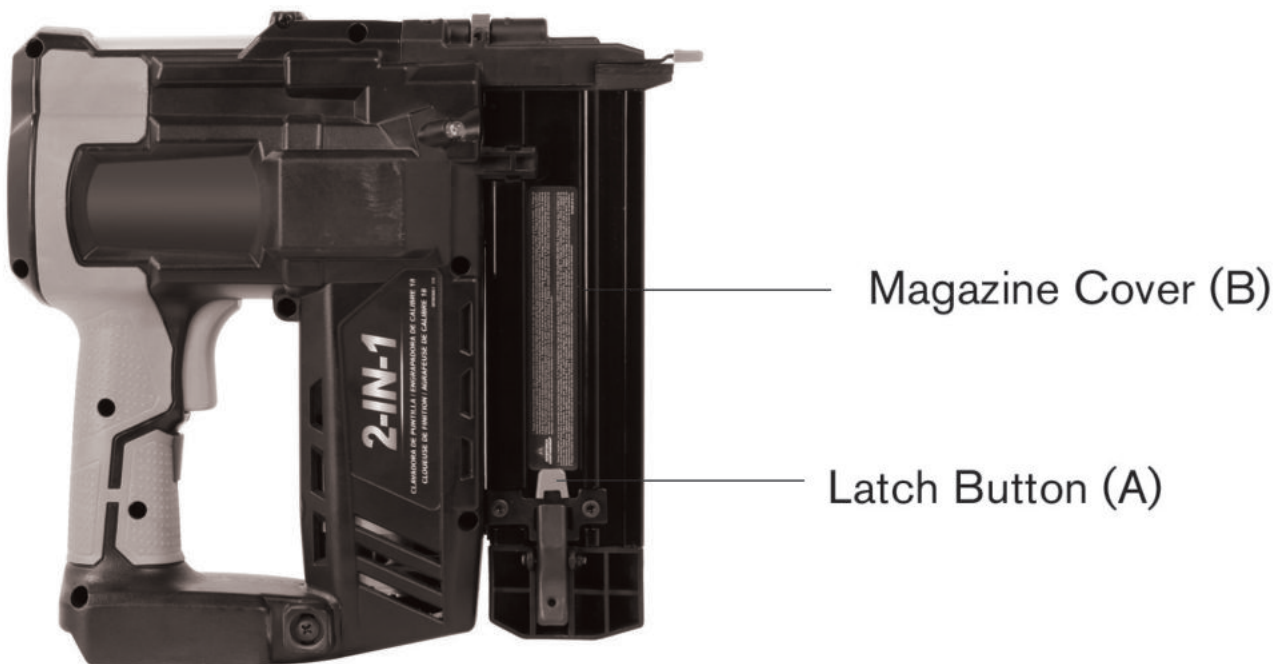
NOTE: You must remove any jammed nail/staple before using the tool any further. Otherwise, it could cause damage to the mechanism.

Occasionally, a fastener may become jammed in the firing mechanism of the tool, making the tool inoperable. To remove a jammed fastener, please follow the steps below:

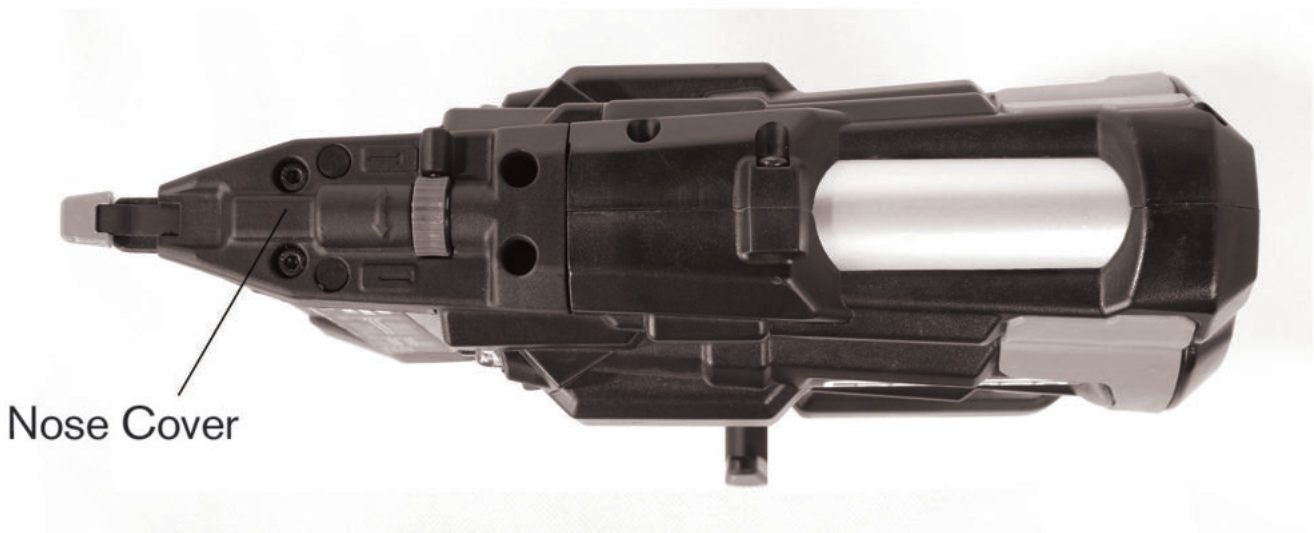
Step 1: Disconnect the battery from the tool;

Step 2: Push down the latch button (A), pull back on the magazine cover (B);

Step 3: Remove fasteners from the magazine rail.



Step 4: Use the Allen Wrench to loose four bolts and remove the nose cover;



Step 5: Use a flat screw driver to remove the jammed fastener and push the drive blade back into place.

CHARGING PROCEDURE

KIMO chargers are designed to charge KIMO battery packs in 40 to 60 minutes depending on the pack being charged.

To charge the battery:

1. Insert/Slide the battery pack into the charger as shown as below.



2. Plug the charger into an appropriate outlet after inserting the battery pack.

Recharge discharged batteries as soon as possible after use or battery life may be greatly diminished. for longest battery life, do not discharge batteries fully. It is recommended that the batteries be recharged after each use.




NOTE: Battery packs for this tool are shipped in a low charge condition to prevent possible problems.

NOTE: A battery that is new or has not been used for a longer period does not develop its full capacity until after approx. 5 charge/discharge cycles.

LED Light Indicator

LED Functions of power tool and charger, LED will be on to indicate status of power tool and charger:

Power Tool:

-  **LED Red Flashing=Jam**
-  **LED Red =Low Battery**
-  **LED Green Flashing=Overheat**
-  **LED Green =No Nails**

Charger:

Red Indicator	Green Indicator	Battery Pack	Status
ON	OFF	Charging	Charging
OFF	ON	Charged	Charged
OFF	OFF	Short Circuited	Short Circuited



IMPORTANT SAFETY INSTRUCTIONS FOR BATTERY CARTRIDGE

1. If operating time has become excessively shorter, stop operating immediately. It may result in a risk of overheating, possible burns and even an explosion.

2. Do not short the battery cartridge:

(1) Do not touch the terminals with any conductive material.

(2) Avoid storing battery cartridge in a container with other metal objects such as nails, coins, etc.

(3) Do not expose battery cartridge to water or rain.

A battery short can cause a large current flow, overheating, possible burns and even a breakdown.

3. Do not incinerate the battery cartridge even if it is severely damaged or is completely worn out. The battery cartridge can explode in a fire.

4. Be careful not to drop or strike battery.

5. Follow your local regulations relating to disposal of battery.

TROUBLESHOOTING

Problems	Probable Causes	Solutions
Tool does not turn on (LED lights do not turn on).	<ul style="list-style-type: none"> ● The internal electronics of the tool have not reset ● The batter is low or not charged. ● The battery is damaged. ● The safety contact pin is locked into position. ● The battery terminals are dirty. ● Damaged internal electronics. 	<ul style="list-style-type: none"> ● Remove the battery from the tool, wait 3 seconds and reinsert. ● Charge the battery. ● Replace the battery. ● Unlock the safety contact pin. ● Clean the battery terminals ● Contact us directly for replacement or refund.
Tool does not actuate (LED lights do turn on).	<ul style="list-style-type: none"> ● The safety contact pin is not depressed. ● The safety contact pin is jammed. ● Damaged internal electronics. 	<ul style="list-style-type: none"> ● If the tool is set in the single fire setting, release the trigger or safety contact pin, then try refiring the tool. ● Unlock the safety contact pin. ● Contact us directly for replacement of refund.
Tool does not actuate (LED lights is red)	<ul style="list-style-type: none"> ● The battery is low. 	<ul style="list-style-type: none"> ● Charge of replace the battery.

<p>Tool operates, but no fastener is driven.</p>	<ul style="list-style-type: none"> ● A fastener is jammed in the tool. ● No nails in the magazine rail. ● Incorrect fastener has been loaded. ● Debris in nose piece. ● Debris in magazine. ● Worn magazine or drive blade. 	<ul style="list-style-type: none"> ● Remove the battery from the tool and clear the jam from the gun. Then push the drive blade back and reinsert the battery. ● Load more fasteners in the magazine. ● Insert the fasteners recommended by the manufacturer. ● Clean the nose piece with pneumatic air tool oil and a cleaning cloth. ● Clean the magazine with pneumatic air tool oil and a cleaning cloth. ● Contact us directly for replacement.
<p>Tool does not actuate (LED lights do turn on).</p>	<ul style="list-style-type: none"> ● The battery is low or damaged. ● The depth adjust is set too shallow. ● Tool is not press firmly against the workpiece. ● Magazine and fastener length is too rigorous on the tool. 	<ul style="list-style-type: none"> ● Charge or replace the battery. ● Rotate the depth adjustment wheel towards the deeper setting. ● Press down more firmly on the workpiece. ● Choose a more appropriate material and fasteners for your application.

MAINTENANCE



WARNING! Any time inspection, maintenance, and cleaning are done be sure to remove battery from the tool and empty all fasteners from the magazine.

Cleaning

- Keep all safety devices, air vents and the motor housing free of dirt and dust as far as possible. Wipe the equipment with a clean cloth or blow it with compressed air at low pressure.
- We recommend that you clean the device immediately each time you have finished using it.
- Clean the equipment regularly with a moist cloth and some soft soap. Do not use cleaning agents or solvents; these could attack the plastic parts of the equipment. Ensure that no water can seep into the device.
- To assure product SAFETY and RELIABILITY, repairs, maintenance and adjustment (including brush inspection and replacement) should be performed by a KIMO factory service center.



WARNING! Never use solvents or other harsh chemicals for cleaning the non-metallic parts of the tool. These chemicals may weaken the plastic materials used in these parts. Use a cloth dampened only with water and mild soap. Never let any liquid get inside the tool; never immerse any part of the tool into a liquid.



WARNING! Shock hazard. Disconnect the charger from the AC outlet before cleaning. Dirt and grease may be removed from the exterior of the charger using a cloth or soft non-metallic brush. Do not use water or any cleaning solutions.

WARRANTY

Every KIMO power tool is warranted to the original purchaser only to be free from defects in material and workmanship. Subject to certain exceptions, KIMO will replace any part on an electric power tool that is defective in material or workmanship for a period of 2 years after the date of purchase unless otherwise noted. This warranty does not apply to damage from repairs made or attempted by anyone other than KIMO, misuse, alterations, abuse, normal wear and tear, lack of maintenance, or accidents.

Normal Wear: Many power tools need periodic parts replacement and service to achieve best performance. This warranty does not cover repair when normal use has exhausted the life of a part including, but not limited to, chucks, brushes, cords, saw shoes, blade clamps, o-rings, seals and driver blades.

Warranty Registration is not necessary to obtain the applicable warranty on a KIMO power tool product.

This warranty applies to product sold in the U.S.A. only.

EXTENDED WARRANTY REGISTRATION

Dear Customer,

Thank you very much for choosing **KIMO**. At **KIMO**, customer satisfaction is our highest priority. In order to provide the best services, we would like to offer you an extra 6-month limited warranty. Below is the free registration process.

To register our extended warranty for your KIMO product, please send your name, your email AND your Amazon order number to **Service@kimotools.com**. Our customer services representative will help you register within 24 hours.

Disclaimer: This policy is at the manufacturer's discretion.

Best Regards,
KIMO Customer Support