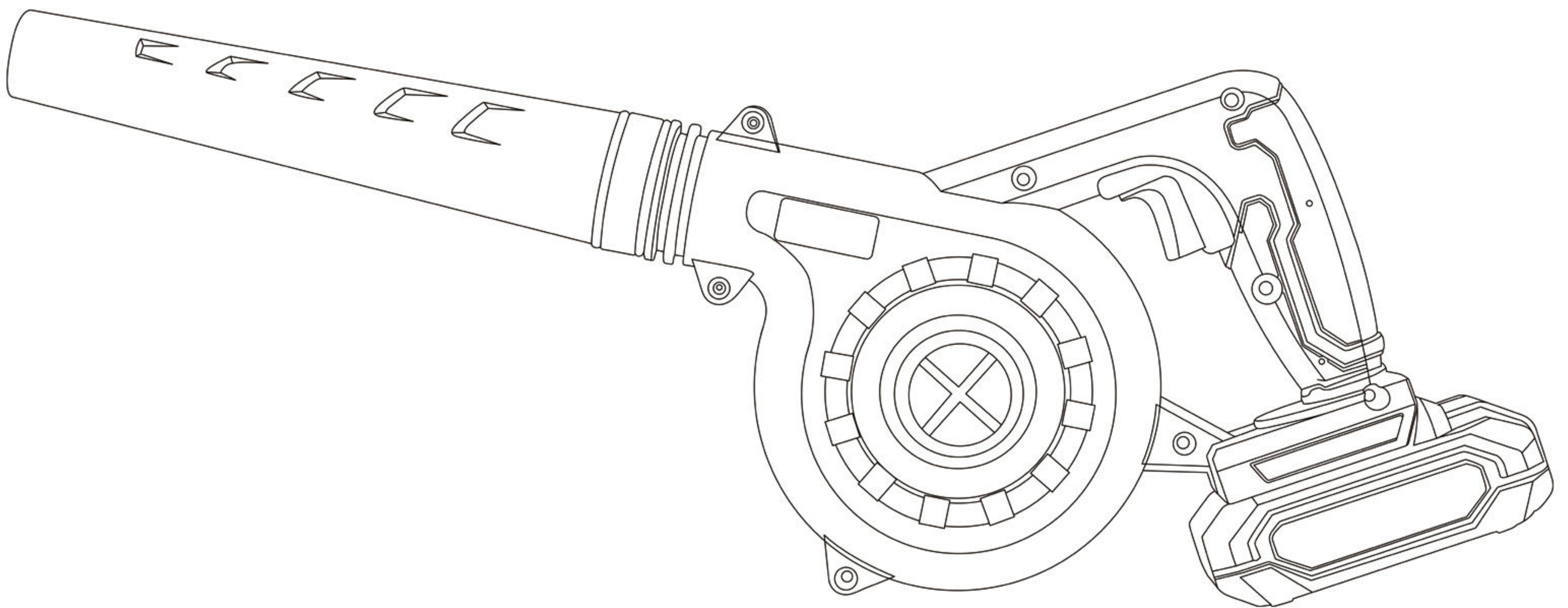


KIMO

INSTRUCTION MANUAL



MODEL 6002

20V 2.0AH LITHIUM-ION
CORDLESS LEAF BLOWER
2-IN-1 SWEEPER & VACUUM

www.kimotool.com

If you have questions or comments, contact us at
service@kimotools.com

GENERAL SAFETY RULES	1
IMPORTANT SAFETY FOR ALL BATTERY PACKS	7
SPECIFIC SAFETY FOR LITHIUM-ION	9
IMPORTANT SAFETY FOR ALL BATTERY CHARGERS	10
COMPONENTS AND SPECIFICATIONS	12
SPECIFIC INSTRUCTIONS	13
• Installing and Removing the Battery Pack from the Tool	13
• Tool Assembly	14
• Installing and Operation for Blower Function	14
• Installing Dust Collection Bag	15
• Charging Procedure	16
TROUBLE SHOOTING	19
WARRANTY	21

SAVE THIS INSTRUCTIONAL MANNUAL FOR FUTURE REFERENCE.

Definitions: Safety Guidelines

The definitions below describe the level of severity for each signal word. Please read the manual and pay attention to these symbols.



WARNING: Indicates a potentially hazardous situation which, if not avoided, **could** result in **death or serious injury**.



CAUTION: Indicates a potentially hazardous situation which, if not avoided, **may** result in **minor or moderate injury**.



NOTE: Indicates a practice not related to personal injury which, if not avoided, **may** result in **property damage**.



WARNING! Read and understand all instructions. Failure to follow all instructions listed below may result in electric shock, fire and/or serious personal injury.

GENERAL SAFETY RULES

WORK AREA SAFETY

- **Keep your work area clean and well lit.** Cluttered benches and dark areas invite accidents.

- **Do not operate power tools in explosive atmospheres, such as in the presence of flammable liquids, gases, or dust.** Power tools create sparks which may ignite the dust or fumes.
- **Keep bystanders, children, and visitors away while operating a power tool.** Distractions can cause you to lose control.
- **Do not allow to be used as a toy.** Close attention is necessary when used by or near a child. Not recommended for use by children.
- **Keep long hair and loosen clothing away from openings and moving parts.**

ELECTRICAL SAFETY

- **Do not expose power tools to rain or wet conditions.** Water entering a power tool will increase the risk of electric shock.
- **Do not immerse any part of the unit in liquid.**
- **Do not handle charger, including charger plug, and charger terminals with wet hands.**
- **The chargers power plug must match the outlet.** Never modify the plug or plug the tool into outlets that do not match the plug.
- **Avoid contacting with grounded elements such as metal tables, pipes, ranges or refrigerators.** Contact with these elements can put you at a risk of electrical shock.
- **Always inspect electrical cord for damage before and after use.** A damaged cord can cause electrical shock.
- **If the user must use the tool in damp conditions, use a ground fault circuit interrupter (GFCI).**

PERSONAL SAFETY

- **Stay alert, watch what you are doing and use common sense when operating a power tool.** Do not use tool while tired or under the influence of drugs, alcohol, or medication. A moment of inattention while operating power tools may result in serious personal injury.
- **Dress properly. Do not wear loose clothing or jewelry. Contain long hair. Keep your hair, clothing, and gloves away from moving parts.** Loose clothing, jewelry, or long hair can be caught in moving parts. Air vents often cover moving parts and should also be avoided.
- **Use personal protective equipment. Always wear eye protection.** Protective equipment such as dust mask, non-skid safety shoes, hard hat, or hearing protection used for appropriate conditions will reduce personal injuries.
- **Avoid accidental starting. Be sure switch is off before plugging in.** Carrying tools with your finger on the switch or plugging in tools that have the switch on invites accidents.
- **Do not place outlet of blower near eyes or ears when operating.**
- **Do not overreach.** Keep proper footing and balance at all times.
- **If devices are provided for the connection of dust extraction and collection facilities, ensure these are connected and properly used.** Use of dust collection can reduce dust-related hazards.
- **Avoid prolonged use.** The tool's repetitive motion and vibration can cause harm to your hands or arms. The user can use gloves for extra cushion; take frequent breaks and limits daily use to prevent this issue.
- **Do not operate blower in a gaseous or explosive atmosphere.** Motor in these units normally spark and the spark might ignite fumes.

POWER TOOL USE AND CARE

- **Know this tool.** Read this manual carefully, learn its applications and limitations, as well as the specific potential hazards related to this tool.
- **Use the right unit.** Do not use this unit for any job except that for which it is intended.
- **Use only as described in this manual.** Use only manufacturer's recommended attachments.
- **Use only accessories that are recommended by the manufacturer for your model.** Accessories that may be suitable for one tool, may become hazardous when used on another tool.
- **Always have a firm footing and grip on the tool to counteract any force that may be enacted during the operation of the tool.**
- **Never point the tool at the user or others in the work area.** This could cause serious injury.
- **Never attempt to clear clogs from unit without first removing battery.**
- **Do not force tool. Use the correct tool for your application.** The correct tool will do the job better and safer at the rate for which it is designed.
- **Do not use tool if switch does not turn it on or off.** Any tool that cannot be controlled with the switch is dangerous and must be repaired.
- **Store idle tools out of reach of children and other untrained persons.** Tools are dangerous in the hands of untrained users.
- **Check for misalignment or binding of moving parts, break- age of parts, and any other condition that may affect the tool's operation.** If damaged, have the tool serviced before using. Many accidents are caused by poorly maintained tools.

- **Before making adjustments, changing accessories, or storing the tool, please disconnect the tool from the battery.** This will reduce the risk of injury from the power tool.
- **Maintain the tool with care.** A properly maintained tool will function more smoothly and prevent binding, making it easier to use.
- **Check operation of the tool before use.** Do not use the tool if the workpiece contact mechanism is not working correctly as accidental blowing may occur.
- **Do not use the tool if the trigger does not actuate properly.** Any tool that cannot be controlled with the trigger is dangerous and must be repaired.
- **Do not use this tool as a dryer.**
- **Do not drop or throw this tool. Dropping or throwing the tool can result in damage that will make the tool unusable or unsafe.** If the tool has been dripped or thrown, examine the tool closely for bent, cracked or broken parts. STOP and repair before using or serious injury could occur.

BATTERY USE AND CARE

- **Only use batteries that are recommended for this tool by the manufacturer.** Use any other battery may cause risk of injury or fire.
- **Recharge only with the charger specified by the manufacturer.** A charger that is suitable for one type of battery pack may create a risk of fire when used with another battery pack.

- **When battery pack is not in use, keep it away from other metal objects like paper clips, coins, keys, nails, screws, or other small metal objects that can make a connection from one terminal to another.** Shorting the battery terminals together may cause burns or a fire.
- **Under abusive conditions, liquid may be ejected from the battery; avoid contact. If contact accidentally occurs, flush with water. If liquid contacts eyes, additionally seek medical help.** Liquid ejected from the battery may cause irritation or burns.
- **Under abusive conditions, liquid may be ejected from the battery; avoid contact. If contact accidentally occurs, flush with water. If liquid contacts eyes, additionally seek medical help.** Liquid ejected from the battery may cause irritation or burns.
- **Do not use a battery pack or tool that is damaged or modified.** Damaged or modified batteries may exhibit unpredictable behavior resulting in fire, explosion or risk of injury.
- **Do not expose a battery pack or tool to fire or excessive temperature.** Exposure to fire or temperature above 265°F (130°C) may cause explosion.
- **Follow all charging instructions and do not charge the battery pack or tool outside the temperature range specified in the instructions.** Charging improperly or at temperatures outside the specified range may damage the battery and increase the risk of fire.
- **Before cleaning the charger, make sure to unplug it from any power source.** This will reduce the risk of an electrical shock.

- **Never attempt to open the batter pack for any reason.** If the battery pack case is damaged or cracked, do not insert it in to the charger.
- When ordering replacement battery packs, be sure to include the catalog number and voltage.
Consult us at service@kimotools.com.

TOOL SERVICE

- **Recharge only with the charger specified by the manufacturer.** A charger that is suitable for one type of battery pack may create a risk of fire when used with another battery pack.
- **Never service damaged battery packs.** Service of battery packs should only be performed by the manufacturer or authorized service providers.
- **Tool service must only be performed by qualified repair personnel.**



WARNING! If any parts are missing, do not operate this tool until the missing parts are replaced. Failure to do so may result in serious personal injury. Please contact us for the missing parts.

IMPORTANT SAFETY FOR ALL BATTERY PACKS

The battery pack is not fully charged out of the carton. Before using the battery pack and charger, read the safety instructions below and then follow charging procedures outlined.

- **Do not charge or use the battery pack in explosive atmospheres, such as in the presence of flammable liquids, gases or dust.** Inserting or removing the battery pack from the charger may ignite the dust or fumes.
- **NEVER force the battery pack into the charger. Do not modify the battery pack in any way to fit into a non-compatible charger as battery pack may rupture causing serious personal injury.**
- Charge the battery packs only in designated KIMO chargers.
- **DO NOT** splash or immerse in water or other liquids.
- **Do not store or use the tool and battery pack in locations where the temperature may reach or exceed 104 °F (40 °C) (such as outside sheds or metal buildings in summer).** For best life store battery packs in a cool, dry location.

NOTE: Do not store the battery packs in a tool with the trigger switch locked on. Never tape the trigger switch in the ON position.



WARNING! Fire hazard. Never attempt to open the battery pack for any reason. If the battery pack case is cracked or damaged, do not insert into the charger. Do not crush, drop or damage the battery pack. Do not use a battery pack or charger that has received a sharp blow, been dropped, run over or damaged in any way (e.g., pierced with a nail, hit with a hammer, stepped on). Damaged battery packs should be returned to the service center for recycling.



WARNING! Fire hazard. Do not store or carry the battery pack so that metal objects can contact exposed battery terminals. For example, do not place the battery pack in aprons, pockets, tool boxes, product kit boxes, drawers, etc, with loose nails, screws, keys, etc. **Transporting batteries can possibly cause fires if the battery terminals inadvertently come in contact with conductive materials such as keys, coins, hand tools and the like.** The US Department of Transportation Hazardous Material Regulations (HMR) actually prohibits transporting batteries in commerce or on airplanes (e.g., packed in suitcases and carry-on luggage) UNLESS they are properly protected from short circuits. So when transporting individual battery packs, make sure that the battery terminals are protected and well insulated from materials that could contact them and cause a short circuit.

SPECIFIC SAFETY FOR LITHIUM-ION

- **Do not incinerate the battery pack even if it is severely damaged or is completely worn out.** The battery pack can explode in a fire. Toxic fumes and materials are created when lithium ion battery packs are burned.
- **If battery contents come into contact with the skin, immediately wash area with mild soap and water.** If battery liquid gets into the eye, rinse water over the open eye for 15 minutes or until irritation ceases. If medical attention is needed, the battery electrolyte is composed of a mixture of liquid organic carbonates and lithium salts.
- **Contents of opened battery cells may cause respiratory irritation.** Provide fresh air. If symptoms persist, seek medical attention.



WARNING! Burn hazard. Battery liquid may be flammable if exposed to spark or flame.

IMPORTANT SAFETY FOR ALL BATTERY CHARGERS

- **DO NOT attempt to charge the battery pack with any chargers other than the ones in this manual.** The charger and battery pack are specifically designed to work together.
- **These chargers are not intended for any uses other than charging KIMO rechargeable batteries.** Any other uses may result in risk of fire, electric shock or electrocution.
- **Do not expose the charger to rain or snow.**
- **Pull by the plug rather than the cord when disconnecting the charger.** This will reduce the risk of damage to the electric plug and cord.
- **Make sure that the cord is located so that it will not be stepped on, tripped over or otherwise subjected to damage or stress.**
- **Do not use an extension cord unless it is absolutely necessary.** Use of improper extension cord could result in risk of fire, electric shock or electrocution.
- **When operating a charger outdoors, always provide a dry location and use an extension cord suitable for outdoor use.** Use of a cord suitable for outdoor use reduces the risk of electric shock.
- **Do not place any object on top of the charger or place the charger on a soft surface that might block the ventilation slots and result in excessive internal heat.** Place the charger in a position away from any heat source. The charger is ventilated through slots in the top and the bottom of the housing.

- **Do not operate the charger with a damaged cord or plug.**
- **Do not operate the charger if it has received a sharp blow, been dropped or otherwise damaged in any way.** Contact us immediately.
- **Do not disassemble the charger; take it to an authorized service center when service or repair is required.** Incorrect reassembly may result in a risk of electric shock, electrocution or fire.
- **Disconnect the charger from the outlet before attempting any cleaning.** This will reduce the risk of electric shock. Removing the battery pack will not reduce this risk.
- **NEVER** attempt to connect 2 chargers together.
- **The charger is designed to operate on standard 120V household electrical power. Do not attempt to use it on any other voltage.** This does not apply to the vehicular charger.



WARNING! Shock hazard. Do not allow any liquid to get inside the charger. Electric shock may result.



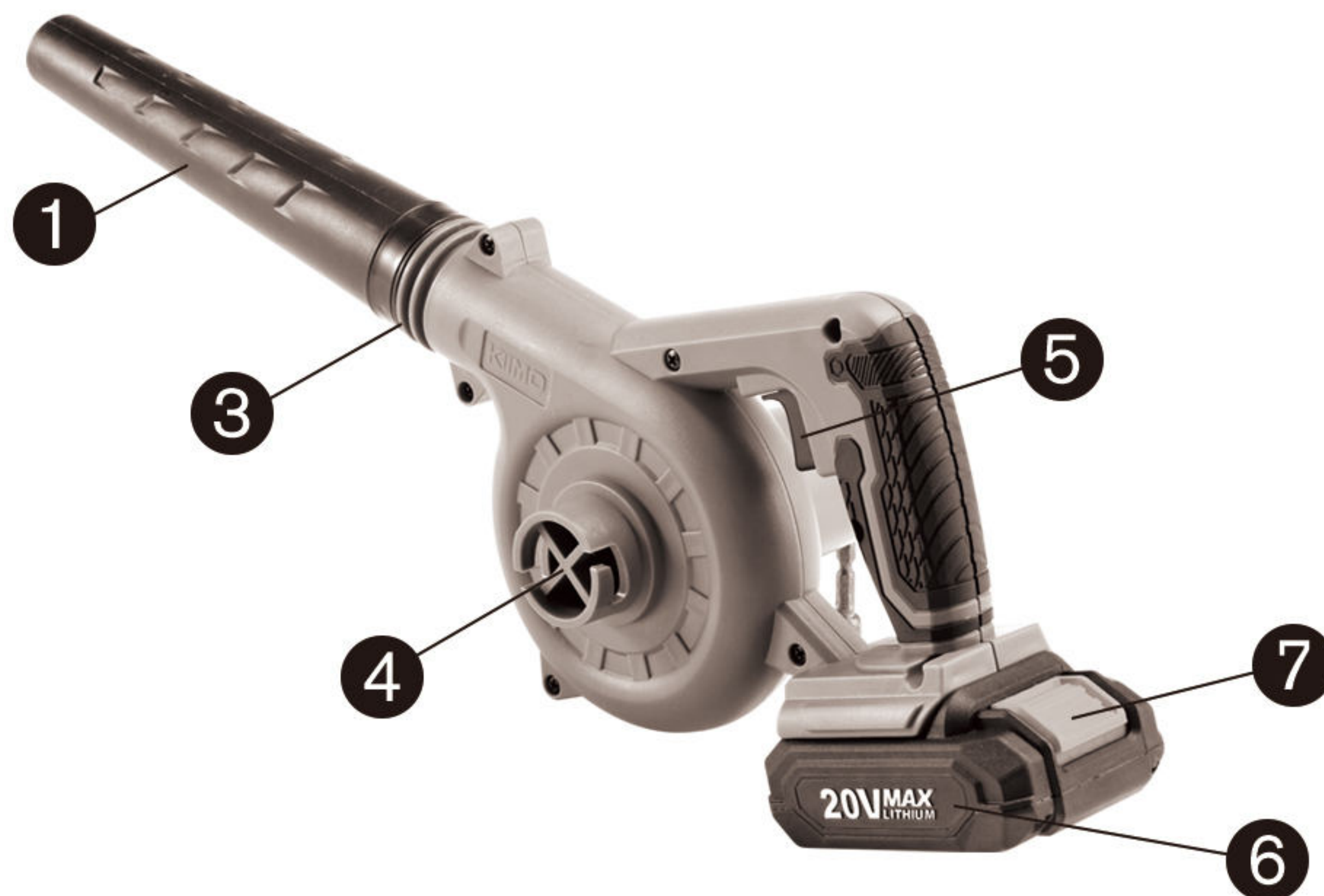
CAUTION! Burn hazard. To reduce the risk of injury, charge only KIMO rechargeable battery packs. Other types of batteries may overheat and burst resulting in personal injury and property damage.

NOTE: Under certain conditions, with the charger plugged into the power supply, the charger can be shorted by foreign material. Foreign materials of a conductive nature, such as, but not limited to, grinding dust, metal chips, steel wool, aluminum foil or any buildup of metallic particles should be kept away from the charger cavities. Always unplug the charger from the power supply when there is no battery pack in the cavity. Unplug the charger before attempting to clean.

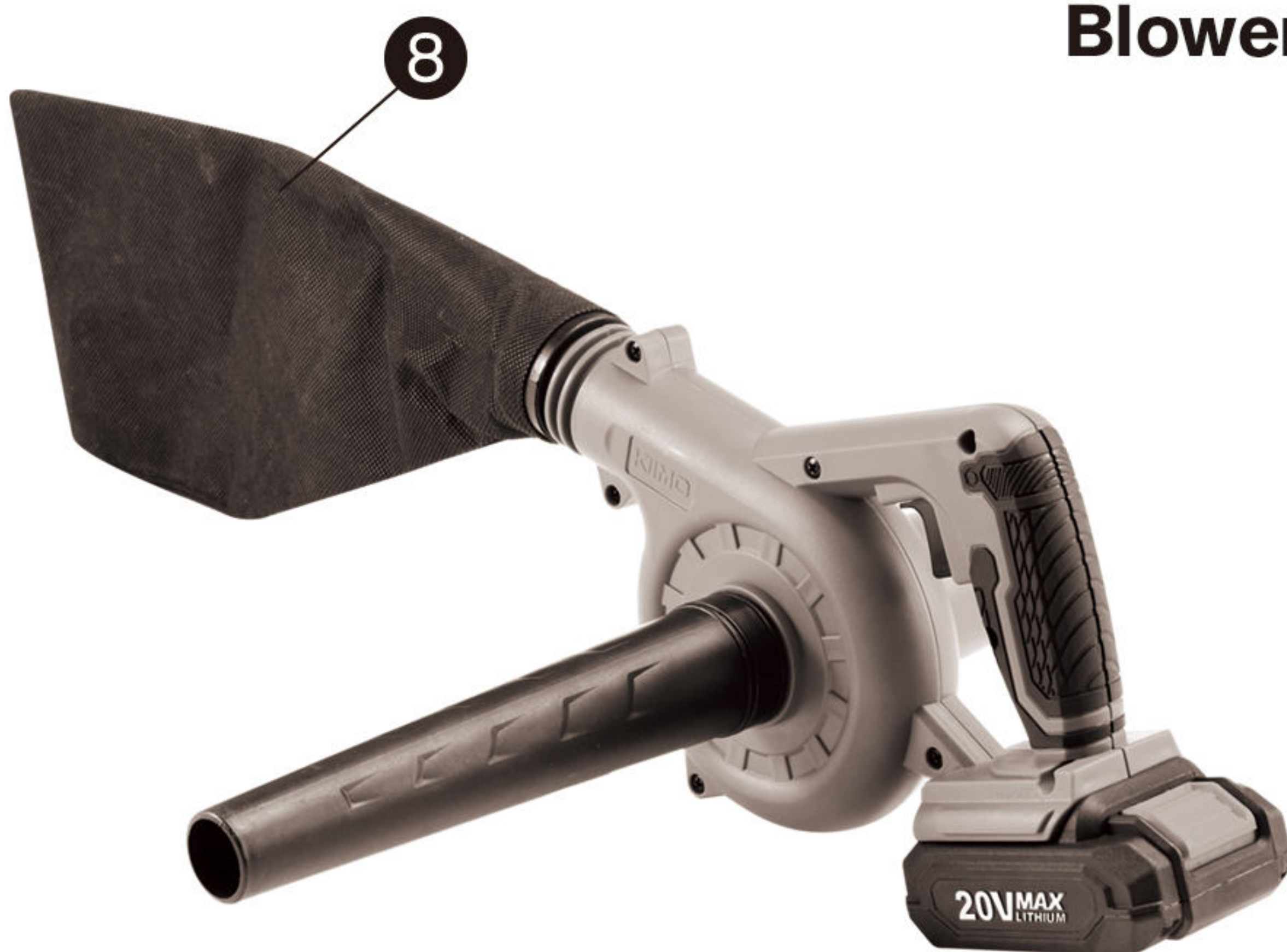


WARNING! Never modify the power tool or any part of it. Damage or personal injury could result.

COMPONENTS AND SPECIFICATIONS



Blower Function



Vacuum Function

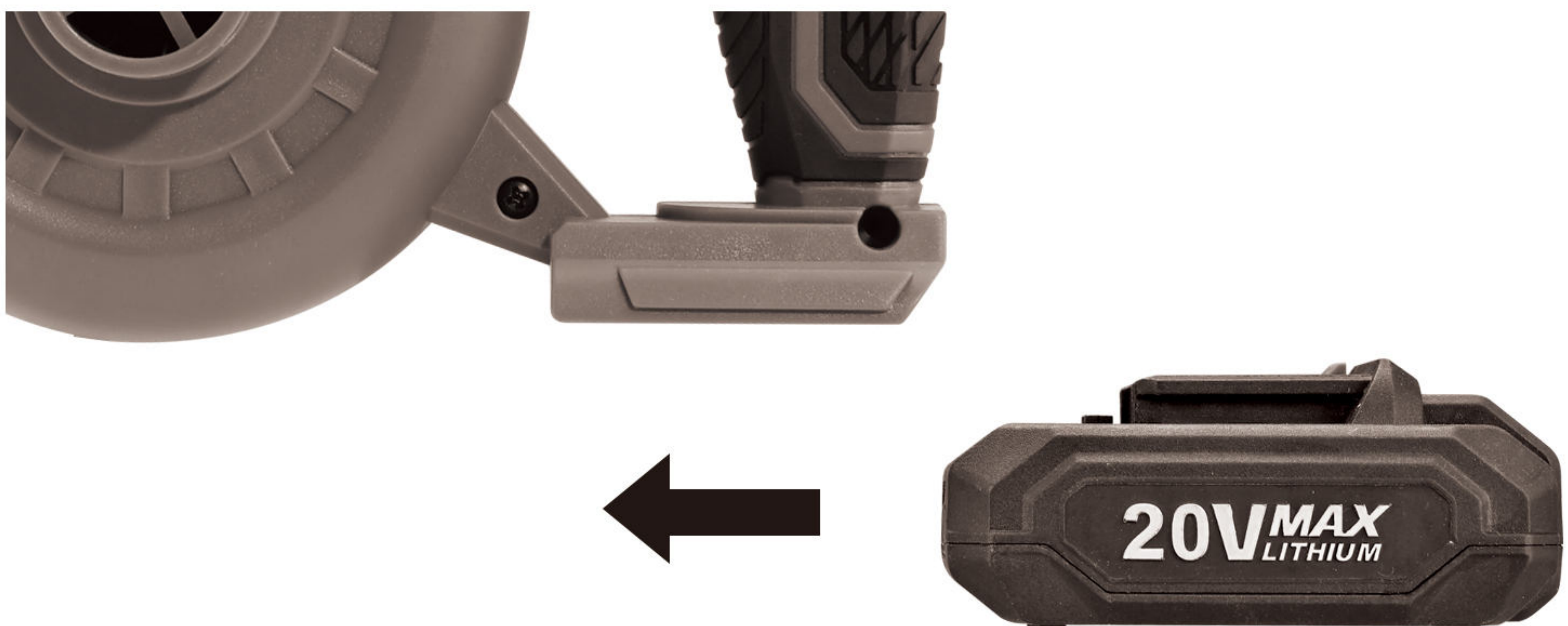
1. General Use Tube
2. Upper Blower Tube
3. Ring
4. Air Inlet

5. Variable Speed Trigger (On/Off)
6. Battery Pack
7. Battery Release Button
8. Dust Collection Bag

Model	6002
Voltage	20V
Battery Specification	Li-ion, 2.0 Ah, 2000mAh
Battery Charge	120V, 60Hz
Charging Time	1.5 Hours
Motor Speed	0~20,000 RPM
Motor	Brushless
Max Speed	150 MPH
Length of General Use Tube	8.67"
Length of Upper Tube	10.43"
Weight	1.76lb

SPECIFIC INSTRUCTIONS

Installing and Removing the Battery Pack from the Tool



NOTE: For best results, make sure your battery pack is fully charged.

NOTE: Operating temperature of this tool is 19 ° to 104 °F (-7 ° to +40 °C). Using the tool outside of this temperature range will decrease the life of the tool.

To install the battery pack (①) into the tool handle, align the battery pack with the rails inside the tool's handle and slide it into the handle until the battery pack is firmly seated in the tool and ensure that it does not disengage.

To remove the battery pack from the tool, press the release button (②) and firmly pull the battery pack out of the tool handle. Insert it into the charger as described in the charger section of this manual.

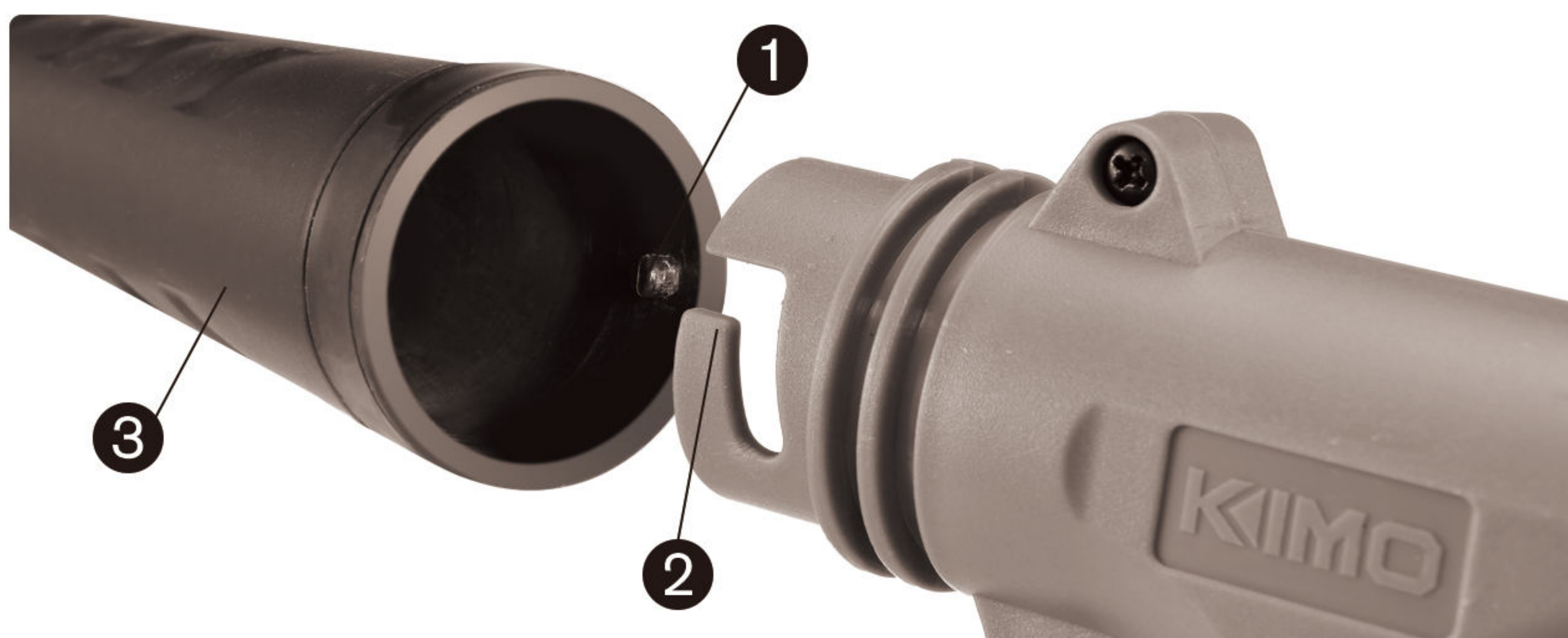
Tool Assembly



CAUTION! Ensure the battery is removed before attaching or removing the tube. The tube must be attached to the housing before use.

Installing and Operation for Blower Function

1. Line up the pegs (1) on the inside of the blow tube (3) with the notches (2) of the housing opening as shown in below picture. Turn the tube clockwise to fasten the tube firmly.



(1) Pegs of Ring (2) Notch of Air Outlet (3) General Use Tube

2. Pull on the tube to make sure it is securely in place.
3. To remove the tube, turn tube counter clockwise and pull tube out.
4. Press the trigger switch to start blowing and control the blowing speed.



WARNING! Do not operate blower without tube securely in place. Never reach down into housing through tube hole.



WARNING! Always remove the battery when:
1. You leave blower unattended and when storing.
2. Checking, adjusting, cleaning, or working on blower.

Installing Dust Collection Bag



(1) Dust Collection Bag

(2) Pegs

(3) Notch of Air Outlet

Line up the pegs (2) inside of the collection bag (1) with the notches (3) of the housing opening as show in above picture. Turn bag clockwise to fully latch.

Charging Procedure

KIMO chargers are designed to charge KIMO battery packs in 60~90 minutes depending on the pack being charged.

To charge the battery:

1. Insert/Slide the battery pack into the charger as shown as below.



2. Plug the charger into an appropriate outlet after inserting the battery pack.

Recharge discharged batteries as soon as possible after use or battery life may be greatly diminished. for longest battery life, do not discharge batteries fully. It is recommended that the batteries be recharged after each use.

NOTE: Battery packs for this tool are shipped in a low charge condition to prevent possible problems.






NOTE: A battery that is new or has not been used for a longer period does not develop its full capacity until after approx. 5 charge/discharge cycles.

Charger:

Red Indicator	Green Indicator	Battery Pack	Status
ON	OFF	Charging	Charging
OFF	ON	Charged	Charged
OFF	OFF	Short Circuited	Short Circuited

Fuel Gauge Battery Packs:

KIMO 20V 2.0 battery pack includes a fuel gauge which consists of four LED lights that indicate the level of charge remaining in the battery pack. The fuel gauge is an indication of approximate levels of charge remaining in the battery pack according to the following indicators:

Remaining Capacity	Indicator Lights
≤ 20%	 Red Flashing
20% — 40%	 Red On
40% — 60%	 Red & Yellow On
60% — 80%	 Red, Yellow & Green On
80% — 100%	 All Lights On



IMPORTANT SAFETY INSTRUCTIONS FOR BATTERY CARTRIDGE

1. If operating time has become excessively shorter, stop operating immediately. It may result in a risk of overheating, possible burns and even an explosion.

2. Do not short the battery cartridge:

(1) Do not touch the terminals with any conductive material.

(2) Avoid storing battery cartridge in a container with other metal objects such as nails, coins, etc.

(3) Do not expose battery cartridge to water or rain.

A battery short can cause a large current flow, overheating, possible burns and even a breakdown.

3. Do not incinerate the battery cartridge even if it is severely damaged or is completely worn out. The battery cartridge can explode in a fire.

4. Be careful not to drop or strike battery.

5. Follow your local regulations relating to disposal of battery.

TROUBLE SHOOTING

Problems	Probable Causes	Solutions
<p>Tool does not turn on (LED lights do not turn on).</p>	<ul style="list-style-type: none"> ● The battery is low or not charged. ● The battery is damaged. ● The safety contact pin is locked into position. ● The battery terminals are dirty. ● Damaged internal electronics. 	<ul style="list-style-type: none"> ● Charge the battery. ● Replace the battery. ● Clean the battery terminals. ● Contact us directly for replacement or refund.
<p>Battery pack will not charge.</p>	<ul style="list-style-type: none"> ● The battery is not firmly latched to the charger. ● The outlet is not working. ● The surrounding temperature is not suitable 	<ul style="list-style-type: none"> ● Fully insert battery into charger until red charging light illuminates. Charge up to 8 hours if battery is totally drained. ● Plug charger into a working outlet. ● Move charger and tool to a surrounding air temperature of above 40 °F (4.5 °C) or below 105 °F (40.5 °C).



WARNING! Any time inspection, maintenance, and cleaning are done be sure to remove battery from the tool and empty all fasteners from the magazine.

Below you will find some general maintenance instructions. For further information please contact us at **service@kimtools.com**.

General Maintenance

- Wipe the exterior of the unit.
- Check the dust collection bag for cracks or damage.
- Check nuts and screws are sufficiently tightened.
- Check the battery pack and charger for cracks or damage.

Cleaning

- Keep all safety devices, air vents and the motor housing free of dirt and dust as far as possible. Wipe the equipment with a clean cloth or blow it with compressed air at low pressure.
- We recommend that you clean the device immediately each time you have finished using it.
- Clean the equipment regularly with a moist cloth and some soft soap. Do not use cleaning agents or solvents; these could attack the plastic parts of the equipment. Ensure that no water can seep into the device.
- To assure product SAFETY and RELIABILITY, repairs, maintenance and adjustment (including brush inspection and replacement) should be performed by a KIMO factory service center.



WARNING! Never use solvents or other harsh chemicals for cleaning the non-metallic parts of the tool. These chemicals may weaken the plastic materials used in these parts. Use a cloth dampened only with water and mild soap. Never let any liquid get inside the tool; never immerse any part of the tool into a liquid.



WARNING! Shock hazard. Disconnect the charger from the AC outlet before cleaning. Dirt and grease may be removed from the exterior of the charger using a cloth or soft non-metallic brush. Do not use water or any cleaning solutions.

WARRANTY

Every KIMO power tool is warranted to the original purchaser only to be free from defects in material and workmanship. Subject to certain exceptions, KIMO will replace any part on an electric power tool that is defective in material or workmanship for a period of 2 years after the date of purchase unless otherwise noted. This warranty does not apply to damage from repairs made or attempted by anyone other than KIMO, misuse, alterations, abuse, normal wear and tear, lack of maintenance, or accidents.

Normal Wear: Many power tools need periodic parts replacement and service to achieve best performance. This warranty does not cover repair when normal use has exhausted the life of a part including, but not limited to, chucks, brushes, cords, saw shoes, blade clamps, o-rings, seals and driver blades.

Warranty Registration is not necessary to obtain the applicable warranty on a KIMO power tool product.

This warranty applies to product sold in the U.S.A. only.

EXTENDED WARRANTY REGISTRATION

Dear Customer,

Thank you very much for choosing KIMO. At KIMO, customer satisfaction is our highest priority. In order to provide the best services, we would like to offer you an extra 6-month limited warranty. Below is the free registration process.

To register our extended warranty for your KIMO product, please send your name, your email AND your Amazon order number to **Service@kimotools.com**. Our customer services representative will help you register within 24 hours.

Disclaimer: This policy is at the manufacturer's discretion.

Best Regards,
KIMO Customer Support