

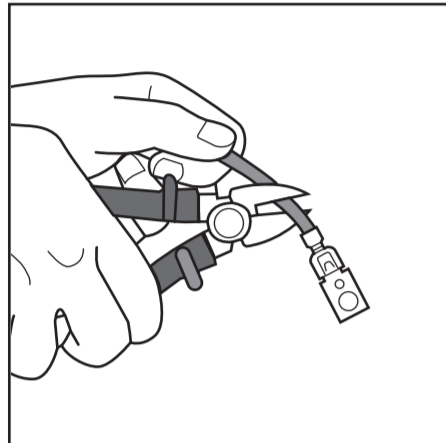
## INSTRUCTIONS TO REPLACE CABLE LUGS



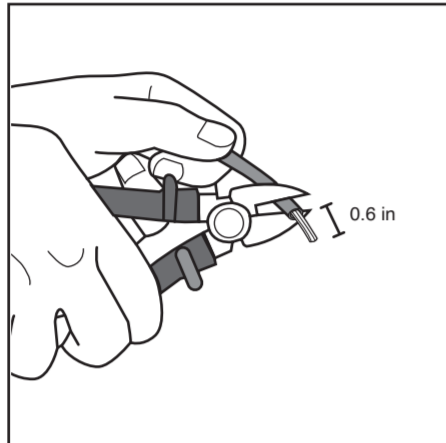
### PRECAUTIONARY MEASURE

Before replacing the lugs, turn off the circuit breaker and leave the power OFF until you have finished the replacement.

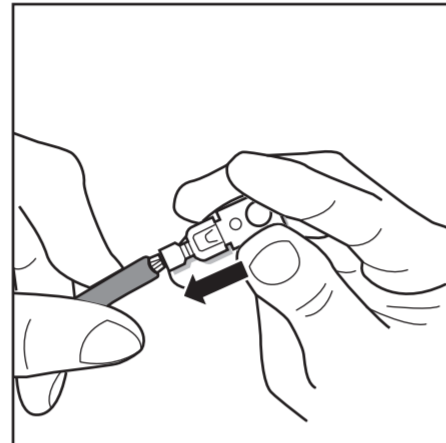
If the lugs on your Dryer Cable cannot fit into the DryerSaver Controller's terminal, follow the instructions below:



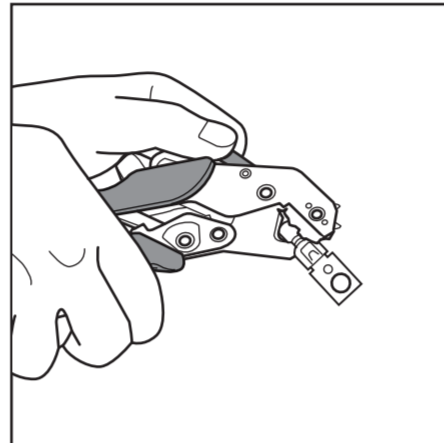
1) Use a wire cutter to cut the lug from the dryer's power cable.



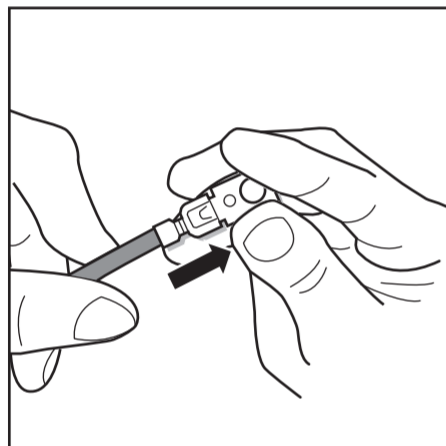
2) Use a wire cutter to strip the wire insulation, exposing about 0.6 in. (1.5 cm) copper wires.



3) Twist the copper wires and insert the copper wires into the supplied lug.



4) Use a crimper to crimp the supplied lug around the copper wires.



5) Pull the lug to make sure that the lug is connected securely.

6) Repeat steps 1 through 5 to change the lugs for the other cables.

### TWO-YEAR LIMITED PRODUCT WARRANTY

TrickleStar Inc. ("TrickleStar"), of 251 Little Falls Drive, Wilmington, DE 19808 warrants to the purchaser this TrickleStar TS2201 TrickleStar DryerSaver ("Product") will be free from defects in materials and workmanship for a period of two (2) years ("Warranty Period") from the date of purchase, under normal use and service, and provided the Product is installed and used according to manufacturer's instructions. If the Product fails to conform to this Limited Warranty during the Warranty Period, TrickleStar at its sole discretion, will either:

- repair or replace any defective Product or component. The repair or replacement may be made with a new or refurbished Product or components; or
- accept the return of the Product and refund the money paid by the original purchaser for the Product.

If the Product or a component incorporated within is no longer available, TrickleStar at its sole discretion, may replace the Product with a similar product of similar function. This is your sole and exclusive remedy for breach of this Limited Warranty. Any Product that has either been repaired or replaced under this Limited Warranty will be covered by the terms of this Limited Warranty for the longer of:

- ninety (90) days from the date of delivery of the repaired Product or replacement Product; or
- the remaining Warranty Period. This Limited Warranty is transferable from the original purchaser to subsequent owners, but the Warranty Period will not be extended in duration or expanded in coverage for any such transfer. A proof-of-purchase is required from the owner for TrickleStar to provide a replacement and/or repaired Product.

### HOW TO CLAIM UNDER THIS LIMITED WARRANTY

Before making a claim under this Limited Warranty, the owner of the Product must

- notify TrickleStar of the intention to claim by visiting [TrickleStar.com](http://TrickleStar.com) support during the Warranty Period and providing a description of the alleged failure; and
- comply with TrickleStar's return shipping instructions. TrickleStar will have no warranty obligations to a returned Product if it determines, in its reasonable discretion after examining of the returned Product, that the Product is an Ineligible Product (defined below). TrickleStar will bear all costs of return shipping to owner and will reimburse any shipping costs incurred by the owner, except to any Ineligible Product, for which the owner will bear all shipping costs.

### WHAT THIS LIMITED WARRANTY DOES NOT COVER

This Limited Warranty does not cover the following (collectively "Ineligible Products"):

- Products that have been subject to:
  - modifications, alterations, tampering, or improper maintenance or repairs;
  - handling, storage, installation, testing, or use, not in accordance with the Installation Manual or other instructions provided by TrickleStar;
  - abuse or misuse of the Product;
  - breakdowns, fluctuations, or interruptions in electric power or telecommunications network; or
  - Acts of God, including but not limited to lightning, flood, tornado, earthquake, or hurricane;
- Any non-TrickleStar branded products, even if packaged or sold with TrickleStar Product.
- This Limited Warranty does not cover consumable parts, including batteries, unless damage is due to defects in materials or workmanship of the Product, or software (even if packaged or sold with the Product).
- Installation or dismantling costs.

### DISCLAIMER OF WARRANTIES

EXCEPT AS STATED ABOVE IN THIS LIMITED WARRANTY, AND TO THE MAXIMUM EXTENT PERMITTED BY APPLICABLE LAW, TRICKLESTAR DISCLAIMS ALL EXPRESS, IMPLIED, AND STATUTORY WARRANTIES AND CONDITIONS WITH RESPECT TO THE PRODUCT, INCLUDING THE IMPLIED WARRANTIES OF

MERCHANTABILITY AND FITNESS FOR A PARTICULAR PURPOSE, TO THE MAXIMUM EXTENT PERMITTED BY APPLICABLE LAW. TRICKLESTAR ALSO LIMITS THE DURATION OF ANY APPLICABLE IMPLIED WARRANTIES OR CONDITIONS TO THE DURATION OF THIS LIMITED WARRANTY. LIMITATION OF DAMAGES

In addition to the above warranty disclaimers, in no event will TrickleStar be liable for any consequential, incidental, exemplary, or special damages, including any damages for lost data or lost profits, arising from or relating to this limited warranty or the Product. TrickleStar's total cumulative liability arising from or related to this limited warranty or the Product will not exceed the amount paid for the Product by the original purchaser.

### LIMITATION OF LIABILITY

The TrickleStar website, TrickleStar Portal, and/or TrickleStar App (iOS and Android) online services ("Services") provide information ("Product Information") on TrickleStar Products or other peripherals connected to your products ("Product Peripherals"). The type of Product Peripherals that may be connected to your product may change from time to time. Without limiting the generality of the disclaimers above, all Product Information is provided for your convenience, "as is", and "as available". TrickleStar does not represent, warrant, or guarantee that Product Information will be available, accurate, or reliable; or that Product Information or use of the Services or Product will provide safety in your premises. You will use all Product Information, Services, and the Product at your own discretion and risk. You will be solely responsible for (and TrickleStar disclaims) any and all losses, liabilities, or damages, including those to your wiring, fixtures, electricity, home, office, product, product peripherals, computer, mobile device, and all other items and pets in your home, resulting from your use of TrickleStar Product Information, Services, or Product. Product Information provided by the Services is not intended to be a substitute for direct means of obtaining the information. For example, a notification provided through the Services is not intended to substitute the audible and visible indicators in the premises and on the Product.

### JURISDICTION

This Limited Warranty shall be governed by the laws of the state of Delaware.

### YOUR RIGHTS AND THIS LIMITED WARRANTY

This Limited Warranty gives you specific legal rights. You may also have other legal rights that vary by state or jurisdiction. Likewise, some of the limitations in this Limited Warranty may not apply in certain states or jurisdictions. The terms of this Limited Warranty will apply to the extent permitted by applicable law.

### CHANGES TO THIS POLICY

TrickleStar may revise this Policy from time to time. The latest version of the policy will govern our use of your information and will always be published on the TrickleStar website ([www.tricklestar.com](http://www.tricklestar.com)). By continuing to access or by using the TrickleStar website, TrickleStar Portal and/or TrickleStar App (iOS or Android) after those changes become effective, you agree to be bound by the revised Policy.

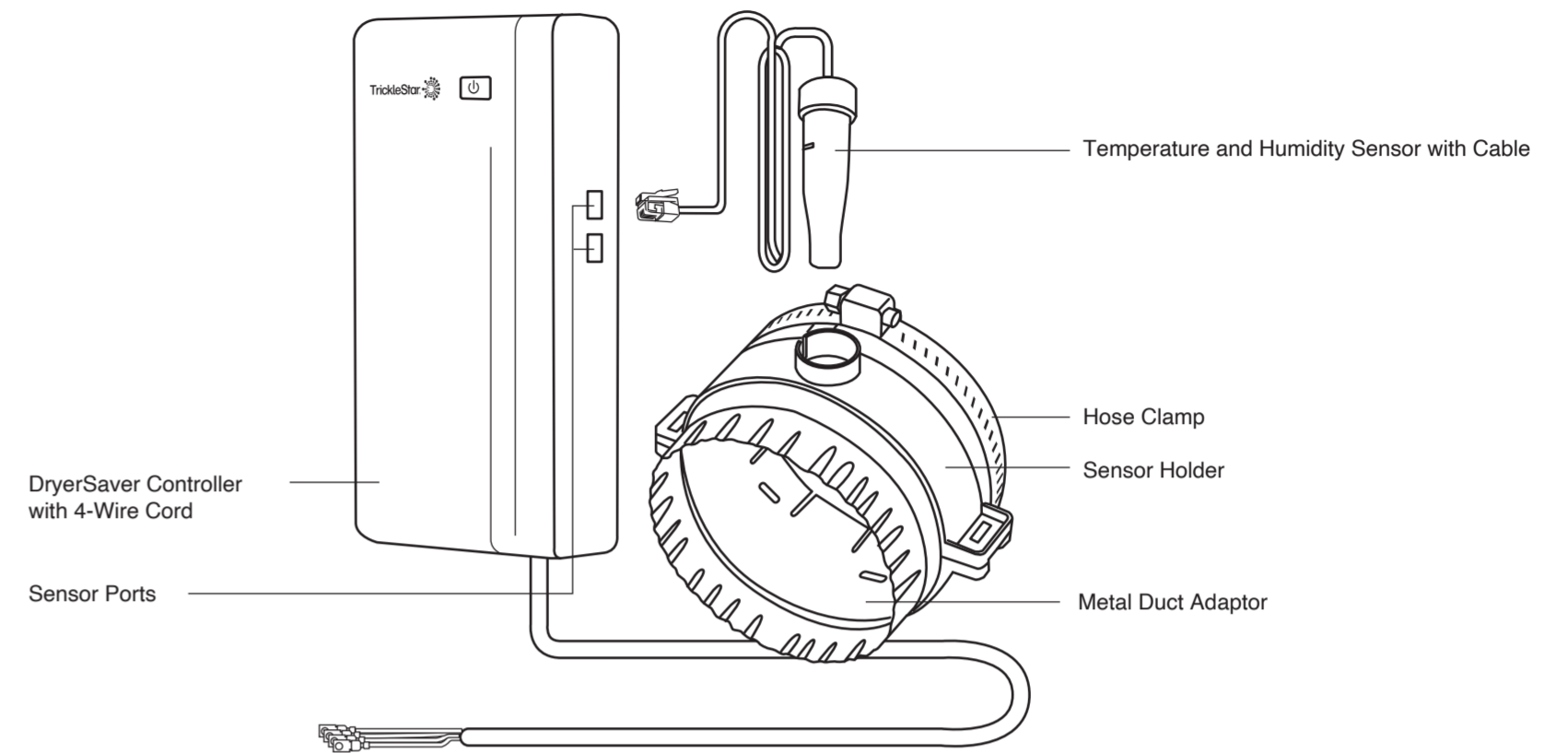
### HOW TO CONTACT US IF YOU WISH TO DISCUSS THIS POLICY

If you wish to discuss any aspect of this policy, contact us by email at: [customer.service@tricklestar.com](mailto:customer.service@tricklestar.com).



### COPYRIGHT & DISCLAIMER

© 2024 TrickleStar Inc. All rights reserved. TrickleStar® is a registered trademark of TrickleStar Ltd. All other trademarks are the property of their respective owners. The information in this document is subject to change without notice. TrickleStar assumes no responsibility for any errors that may appear in this document.



### HOW IT WORKS

The TrickleStar® DryerSaver® features a sophisticated sensor that measures the humidity and temperature in the dryer exhaust air stream and switches off power to the electric dryer when the exhaust air reaches a specified level of dryness.

The TrickleStar DryerSaver consists of:

- DryerSaver Controller with 4-Wire Cord
- Temperature and Humidity Sensor with Cable
- Metal Duct Adaptor
- Sensor Holder
- Hose Clamp
- Mounting Bracket with 4 Self Tapping Screws
- Double Sided Mounting Foam
- Allen Key
- IPA Wipes (1 pc)
- Lugs (4 pcs)
- Strain Relief (1 pc)
- Strain Relief Screws (2 pcs)
- Strain Relief Insulator

Tools needed for installation

- Wrench
- Screwdriver
- Side Cutter
- Crimper

### FOR TECHNICAL SUPPORT

Toll free : 1-888-700-1098  
[www.tricklestar.com](http://www.tricklestar.com)



### PRECAUTIONARY MEASURE

Before starting the installation, turn off the circuit breaker and leave the power OFF until you have finished the installation.

### INSTALLATION REQUIREMENT

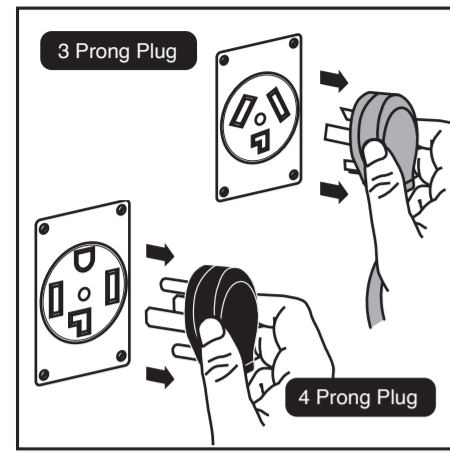
The DryerSaver must be plugged into 3 prong or 4 prong grounded wall outlet.

### PRODUCT OVERVIEW

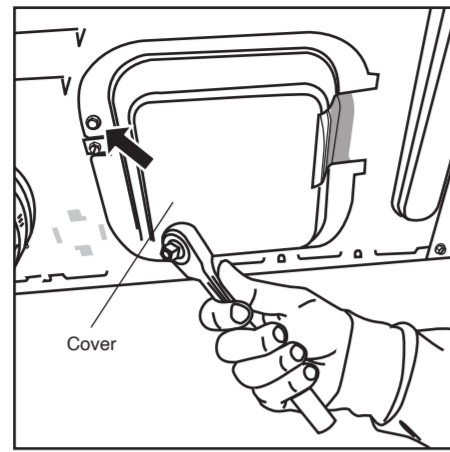
	<p>Press  to turn the power on or off. The LED lights up when the power is turned on.</p>		<p>The DryerSaver is monitoring the dryer from the temperature and humidity sensor.</p>
	<p>The DryerSaver is On, but the dryer is Off.</p>		<p>The temperature and humidity sensor detected that the clothing load is dry. The DryerSaver has turned off the dryer.</p>



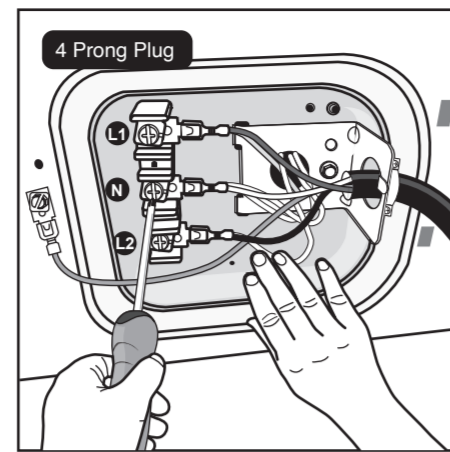
INSTALLATION GUIDE FOR 4 PRONG PLUG AND 3 PRONG PLUG



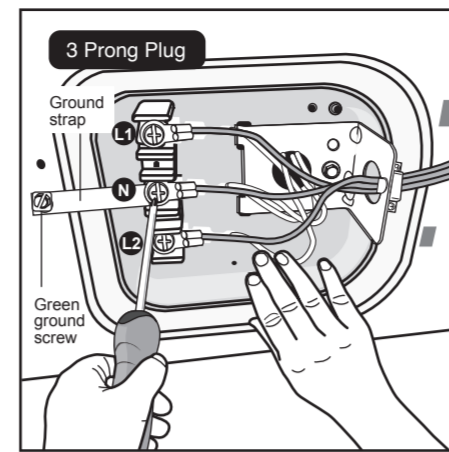
1) Disconnect the power plug from the power outlet. Pull the dryer away from the wall so that you can work with the dryer.



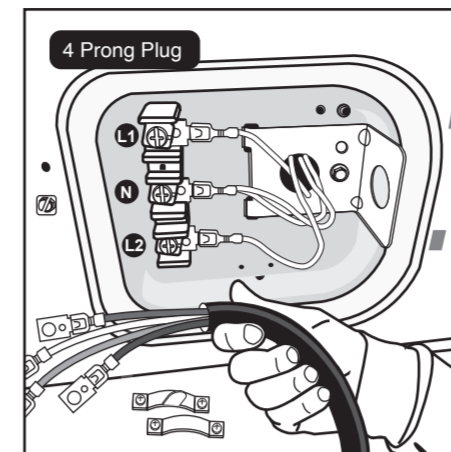
2) Use a wrench to remove the dryer's cover at the back of the dryer.



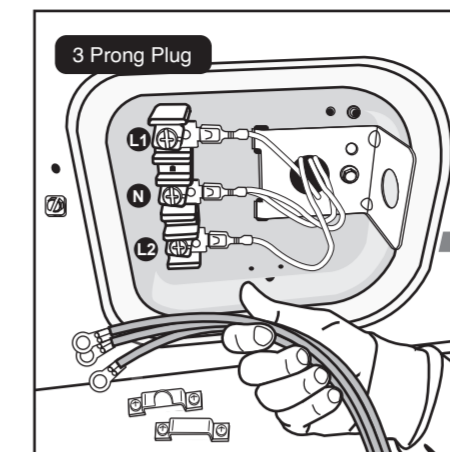
3) Before you unscrew the dryer terminal, we recommend that you take a photo of the wires for later use. Unscrew the power cables from the dryer terminals and ground wire with a screwdriver.



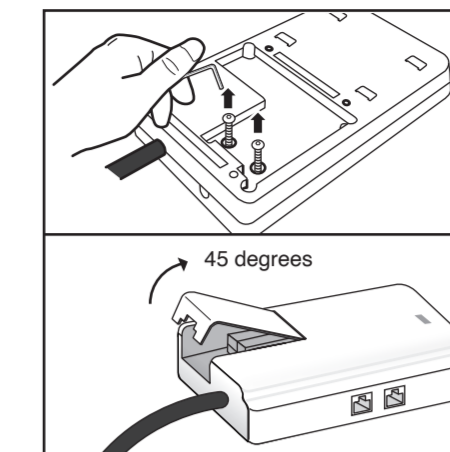
3) Before you unscrew the dryer terminal, we recommend that you take a photo of the wires for later use. Unscrew the power cables from the dryer terminals with a screwdriver.



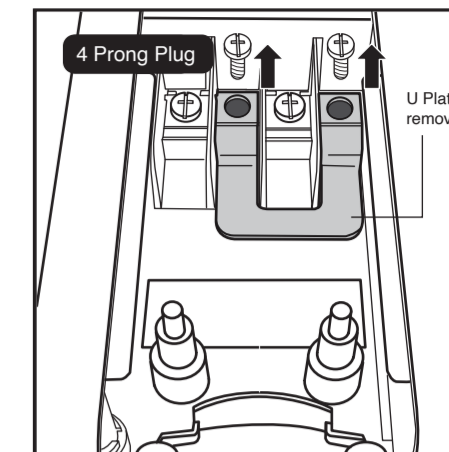
4) Unscrew the strain relief at the power cable and keep it aside for later use. Remove the power cable from the dryer.



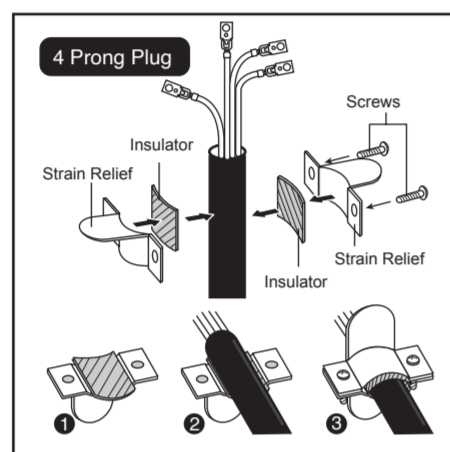
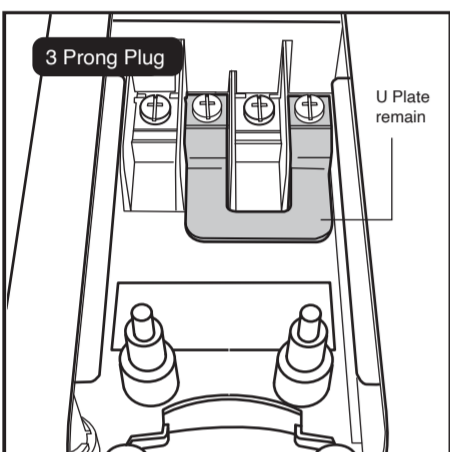
4) Unscrew the strain relief at the power cable and keep it aside for later use. Remove the power cable and ground strap from the dryer.



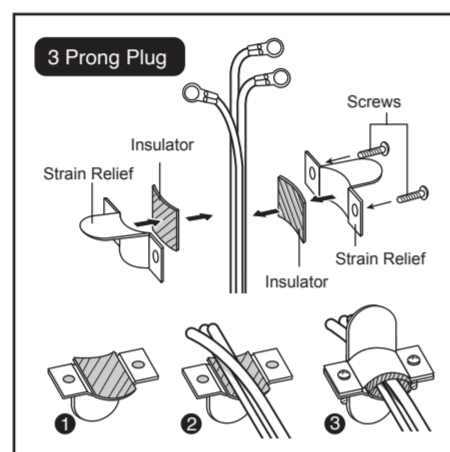
5) Unscrew the hex head screws at the bottom of the Housing Base with an Allen Key. Lift the DryerSaver Controller's terminal cover to remove the cover. If required, use side cutters to enlarge the hole. This should only be needed for some flat cables from a 3 prong plug. Refer illustration at Step 9.



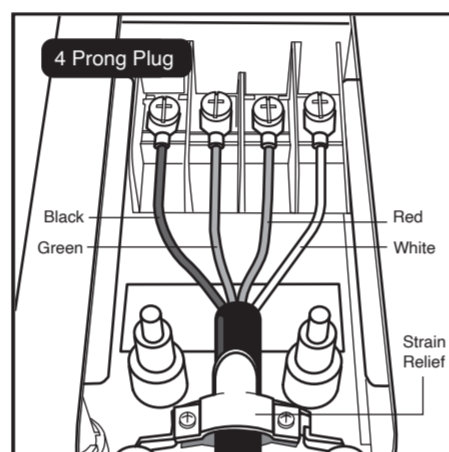
6) Completely unscrew the screws at terminals G and N. Remove and discard the "U Plate".



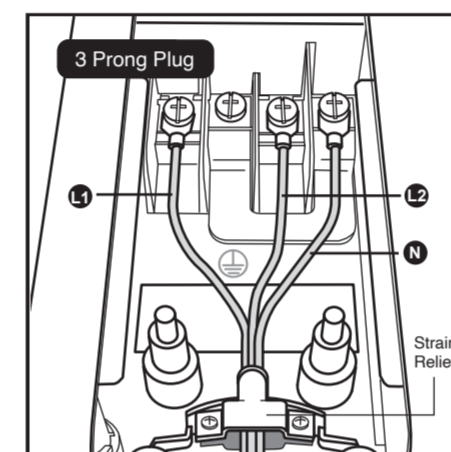
7) Follow the illustration in the diagram to assemble the strain relief and insulator (supplied with the DryerSaver) onto the cable.  
1. Place a piece of insulator on top of a strain relief.  
2. Place the cable on top of the insulator.  
3. Place the other insulator and strain relief on top of the cable so that the cable is sandwiched in between. Insert and tighten the screws on the strain relief.



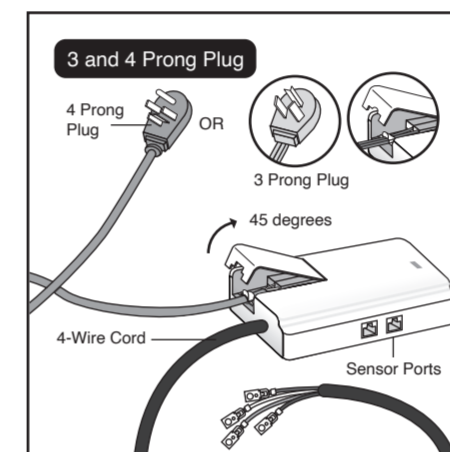
7) Follow the illustration in the diagram to assemble the strain relief and insulator (supplied with the DryerSaver) onto the cable. Before you start, separate the cable into 3 individual strips so that they fit into the strain relief.  
1. Place a piece of insulator on top of a strain relief.  
2. Place the cables on top of the insulator.  
3. Place the other insulator and strain relief on top of the cables so that the cables are sandwiched in between. Insert and tighten the screws on the strain relief.



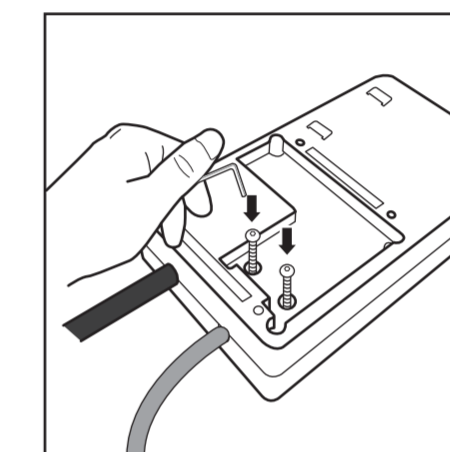
8) If your lugs cannot fit into the terminal, refer to the section on Instructions to Replace Cable Lugs for more details.  
Connect the Black wire to the L1 terminal, Green to Ground symbol, Red to L2 and the White wire to the N terminal.  
Place the strain relief into its cavity.



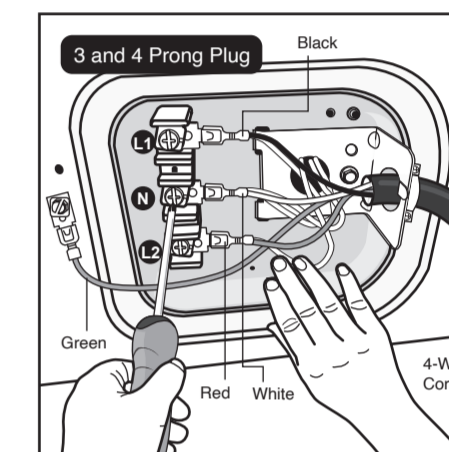
8) If your lugs cannot fit into the terminal, refer to the section on Instructions to Replace Cable Lugs for more details.  
Refer to the photo in Step 3 and connect the power cables to the terminal.  
Place the strain relief into its cavity.



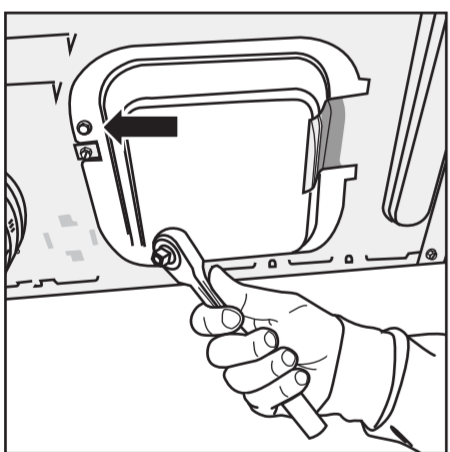
9) Tilt the Terminal Cover about 45 degrees and slide it in until the cover hooks are inserted into their slots. Close the cover. Be sure to check that the power cable fits through the hole at the bottom of the terminal cover.



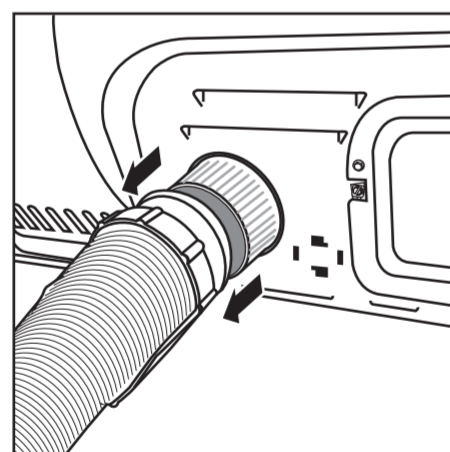
10) Tighten the hex head screws with the Allen Key at the bottom of the Housing Base.



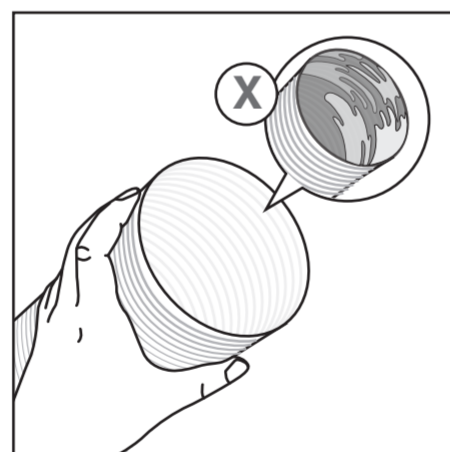
11) Screw the 4 wires from the 4-Wire Cord to the dryer's terminal as shown in the illustration above. Re-assemble the strain relief from the dryer on the 4-Wire Cord to its original position.  
Note: Your position of the L1, L2, N and Ground connections may be different to what is shown here.



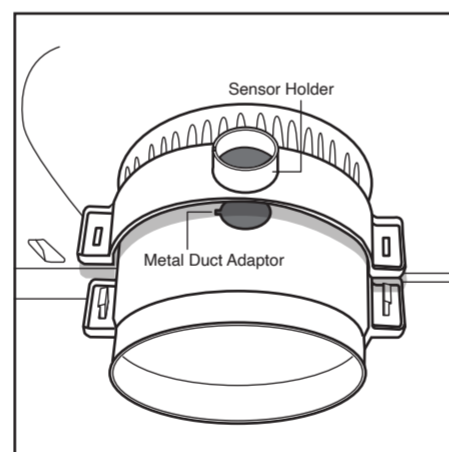
12) Use a wrench to close the dryer's cover.



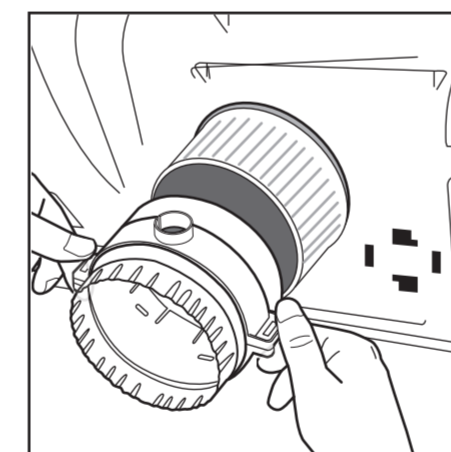
13) Remove the dryer duct from the dryer.



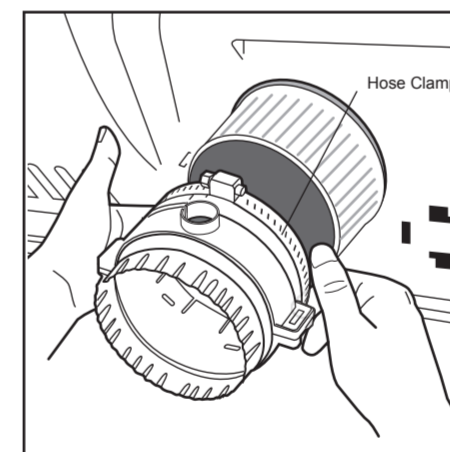
14) Inspect the duct to ensure that it is not blocked with lint. If it is blocked with lint, clean the duct.



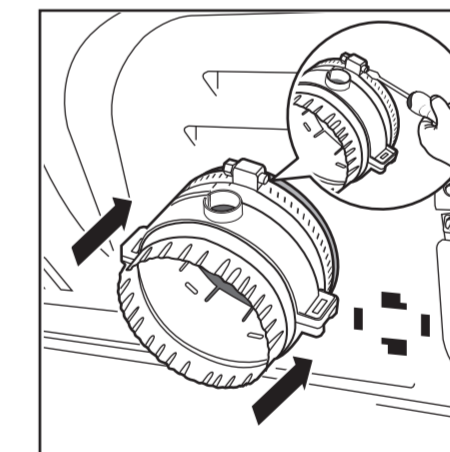
15) The plastic sensor holder has a hole which must align with the hole in the metal duct adaptor.



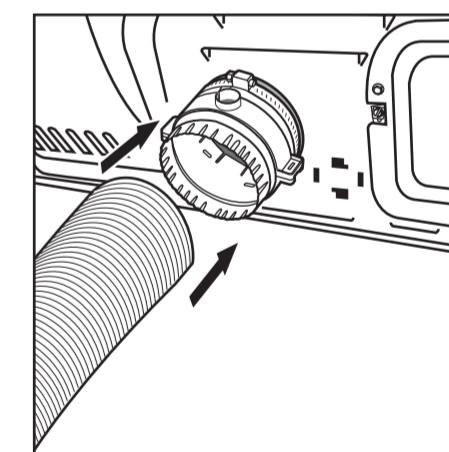
16) Press the clip until it clicks into place to fasten the sensor holder to the metal duct adaptor.



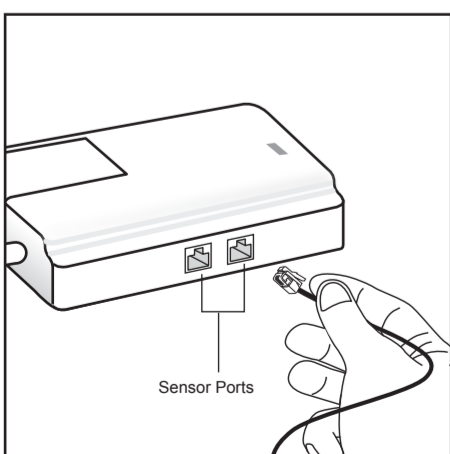
17) Place the hose clamp on the duct adaptor.



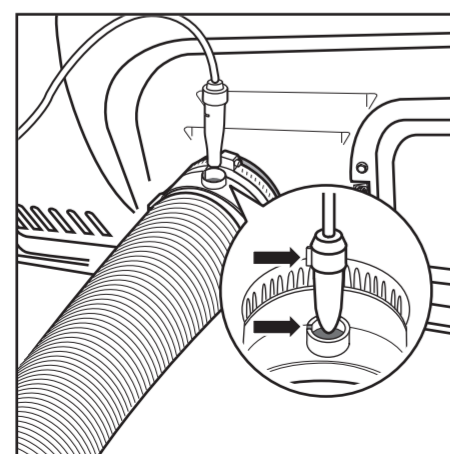
18) Mount the duct adaptor to the dryer and tighten the hose clamp.



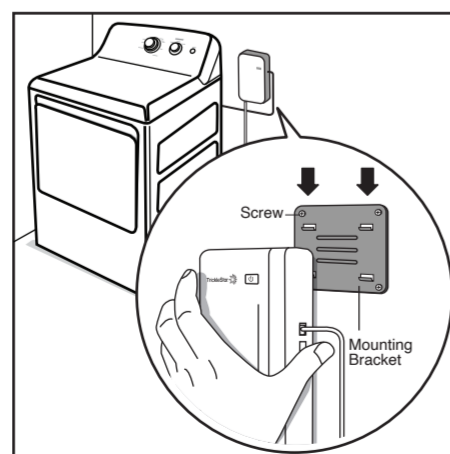
19) Couple the dryer duct to the duct adaptor. You may need to use the original coupling clamps or other retaining hardware.



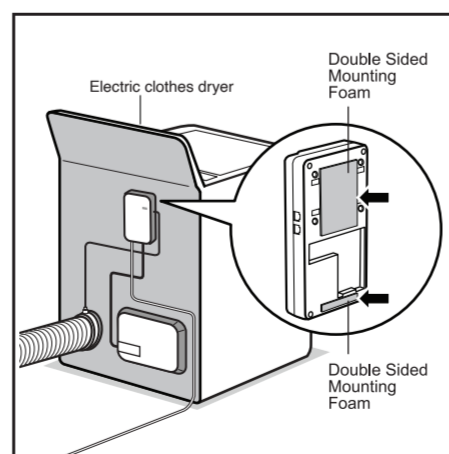
20) Connect the temperature and humidity sensor to either one of the sensor ports at the DryerSaver Controller.



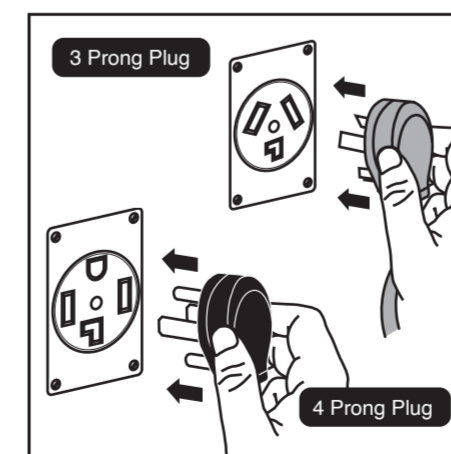
21) Check the guide on the temperature and humidity sensor, then insert it into the sensor holder accordingly. Note that you can only insert it in one orientation.



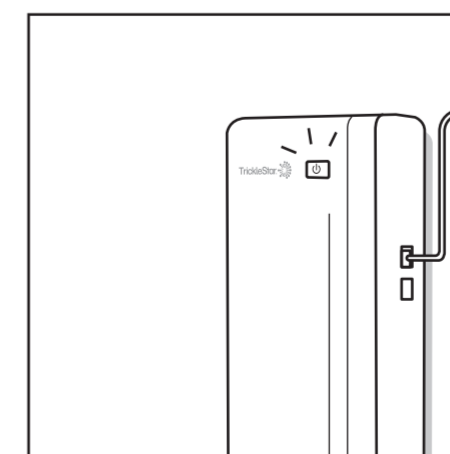
22) You can mount the DryerSaver Controller in two ways.  
i) Screw the Mounting Bracket to the wall with the 4 screws provided. Mount the DryerSaver Controller on the Mounting Bracket.



22) ii) Clean the back of the DryerSaver with the supplied IPA wipes. Peel off the paper from the Double Sided Mounting Foam and attach them at the back of the DryerSaver Controller as shown above. Then, mount the DryerSaver Controller to the back or side of the dryer.



23) Connect the power plug to the power outlet. Push the dryer back to its original position.



24) The DryerSaver Controller is ready to use when the LED lights up.