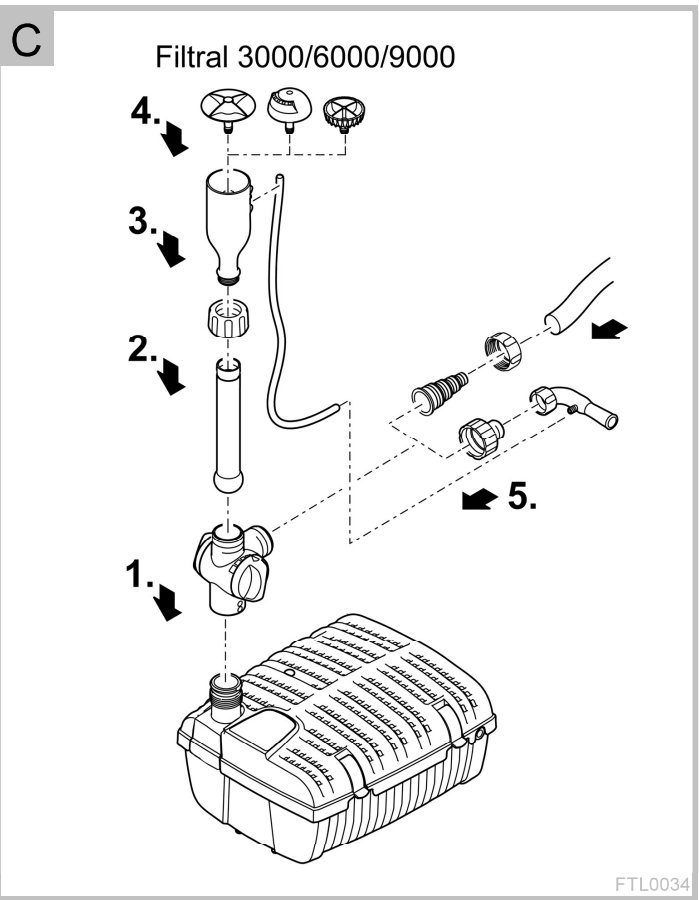
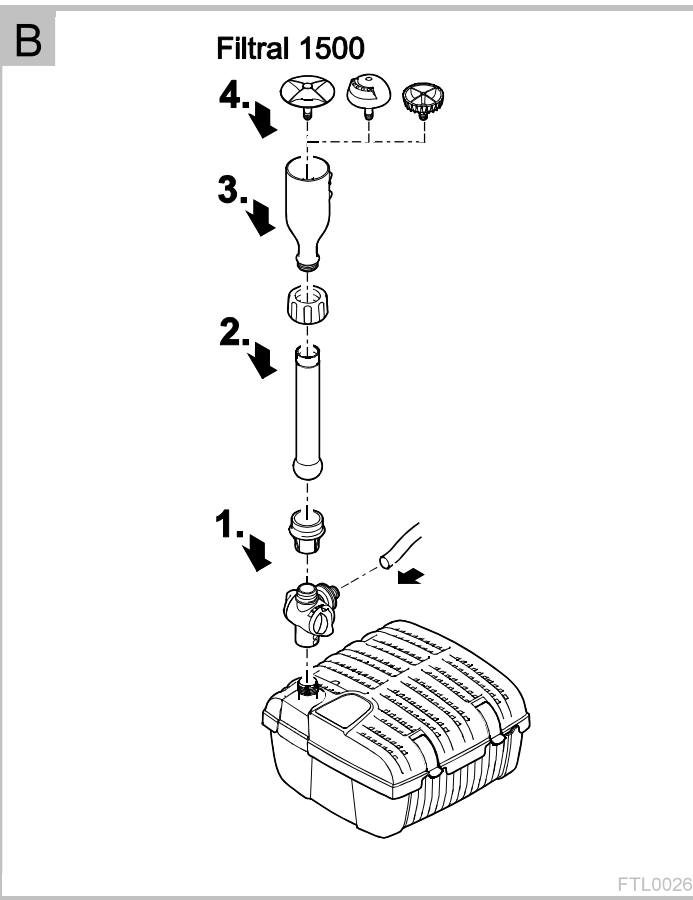
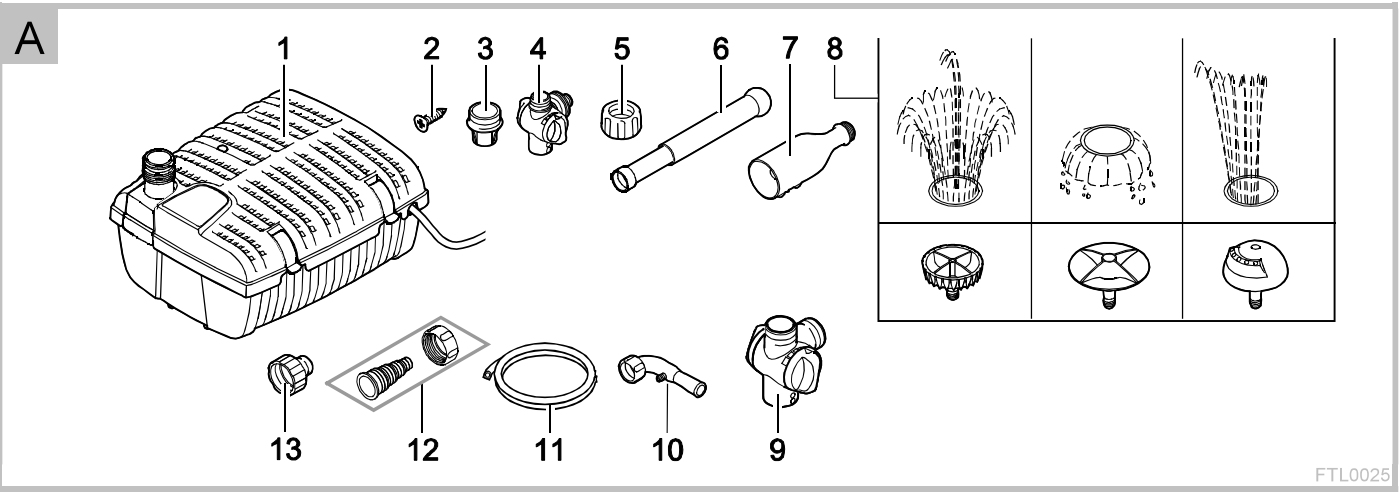
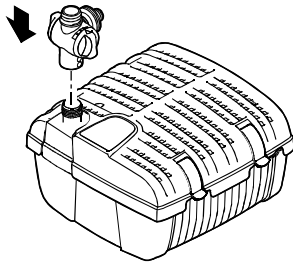


Filtral *UVC 1500/3000/6000/9000*

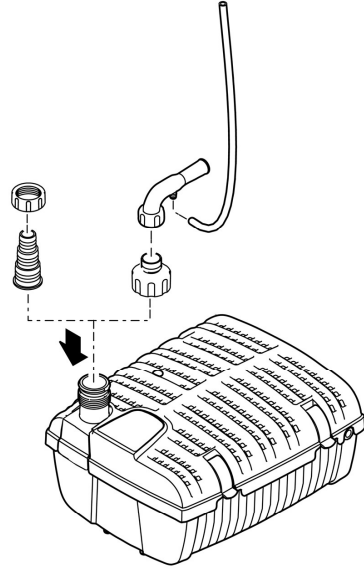
DE	Gebrauchsanleitung
EN	Operating instructions
FR	Notice d'emploi
NL	Gebruiksaanwijzing
ES	Instrucciones de uso
PT	Instruções de uso
IT	Istruzioni d'uso
DA	Brugsanvisning
NO	Bruksanvisning
SV	Bruksanvisning
FI	Käyttöohje
HU	Használati útmutató
PL	Instrukcja użytkowania
CS	Návod k použití
SK	Návod na použitie
SL	Navodila za uporabo
HR	Uputa o upotrebi
RO	Instrucțiuni de folosință
BG	Упътване за употреба
UK	Посібник з експлуатації
RU	Руководство по эксплуатации
CN	使用说明书



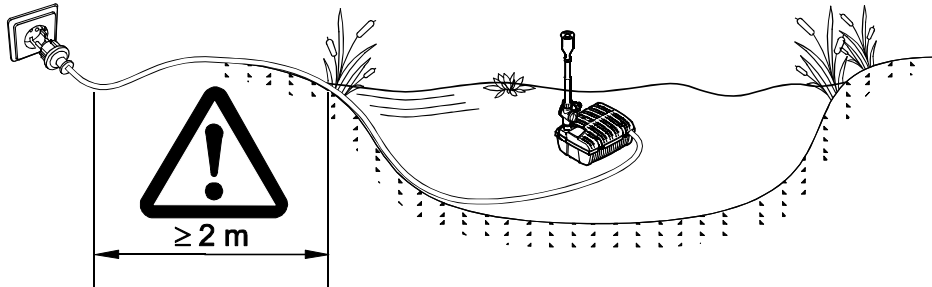


D**Filtral 1500**

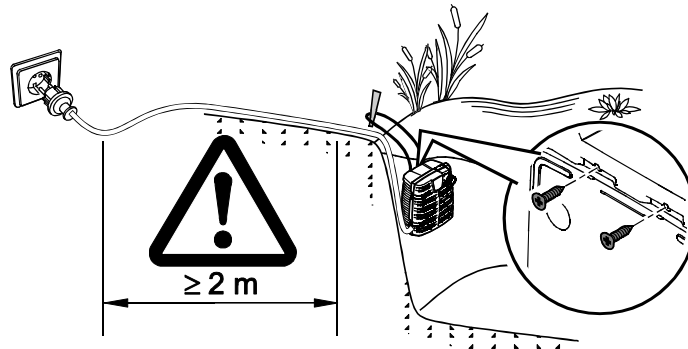
FTL0038

E**Filtral 3000/6000/9000**

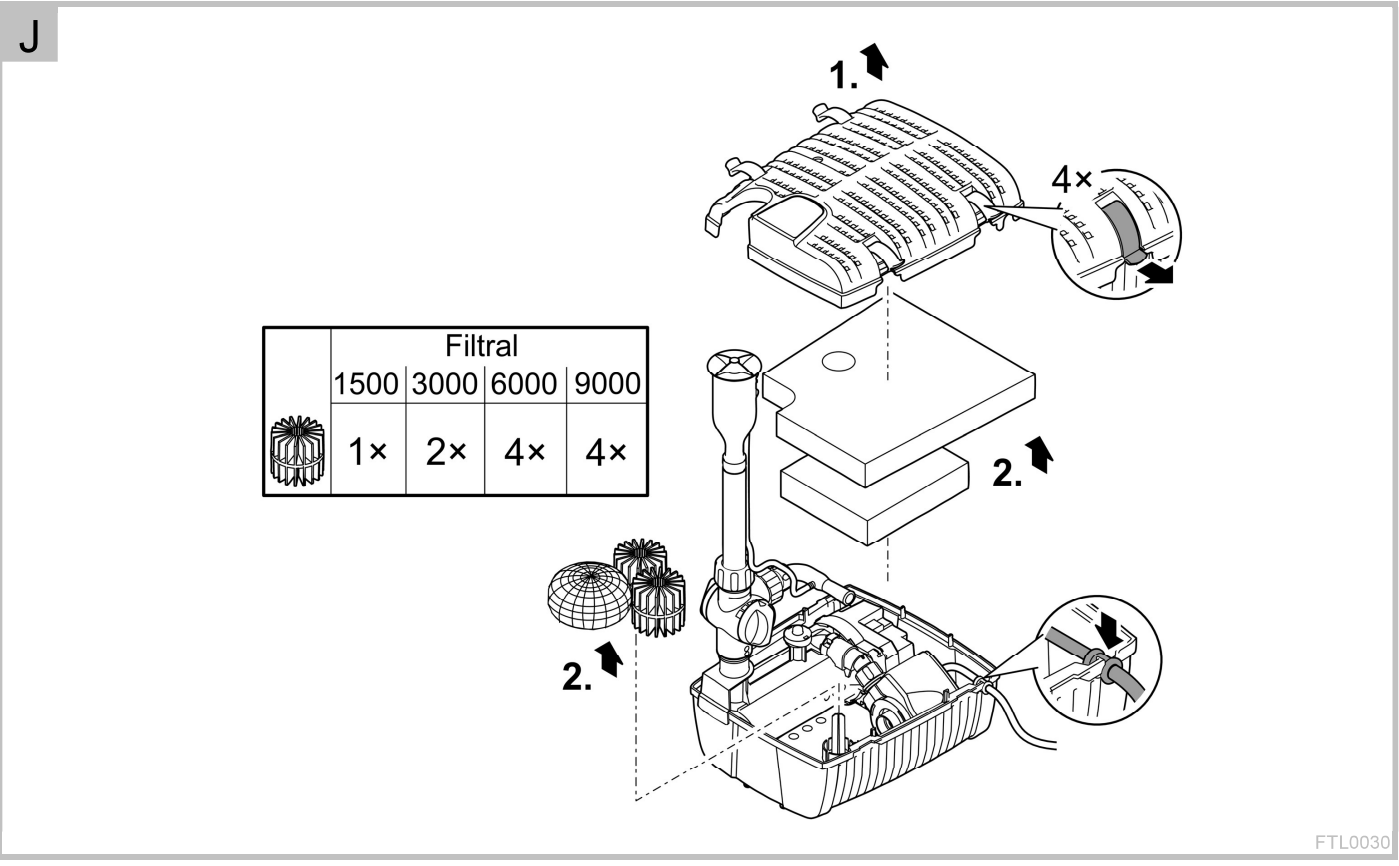
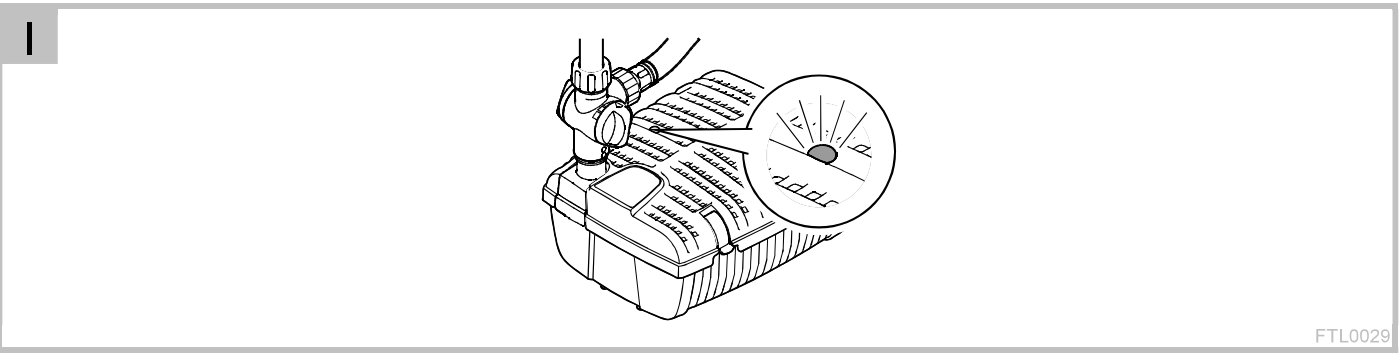
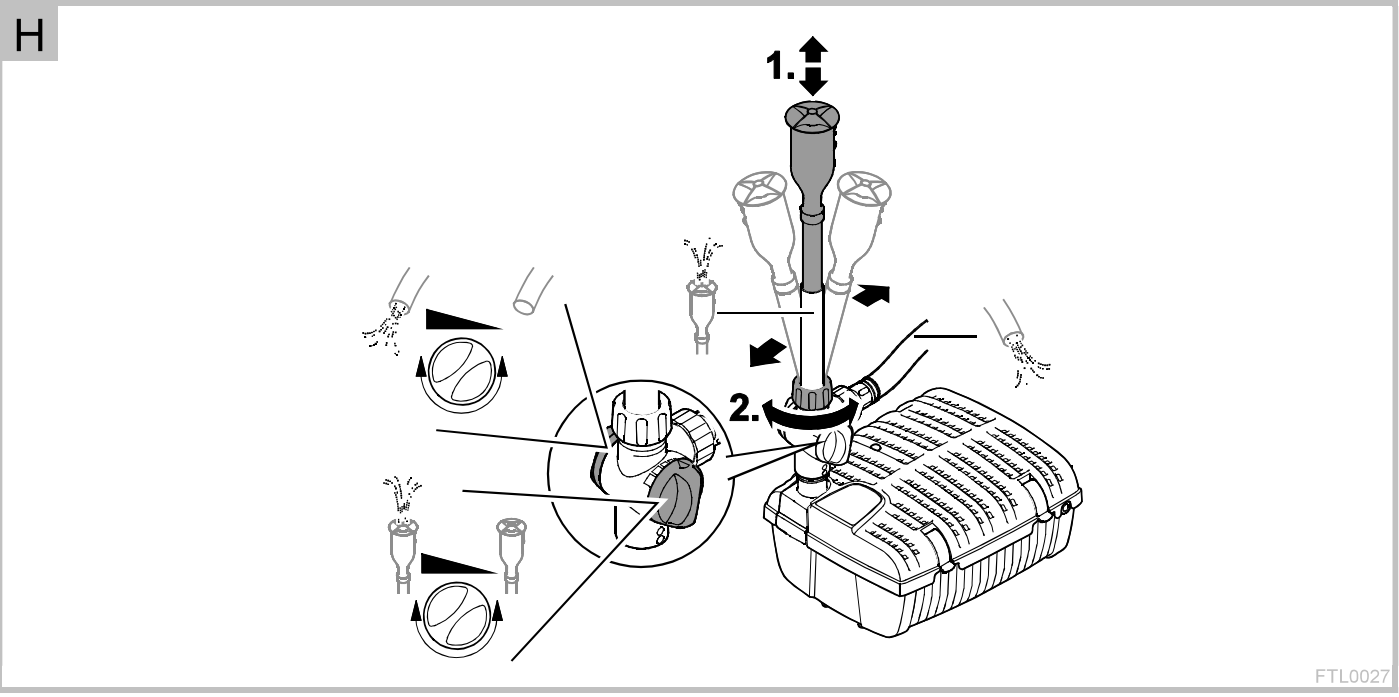
FTL0035

F

FTL0036

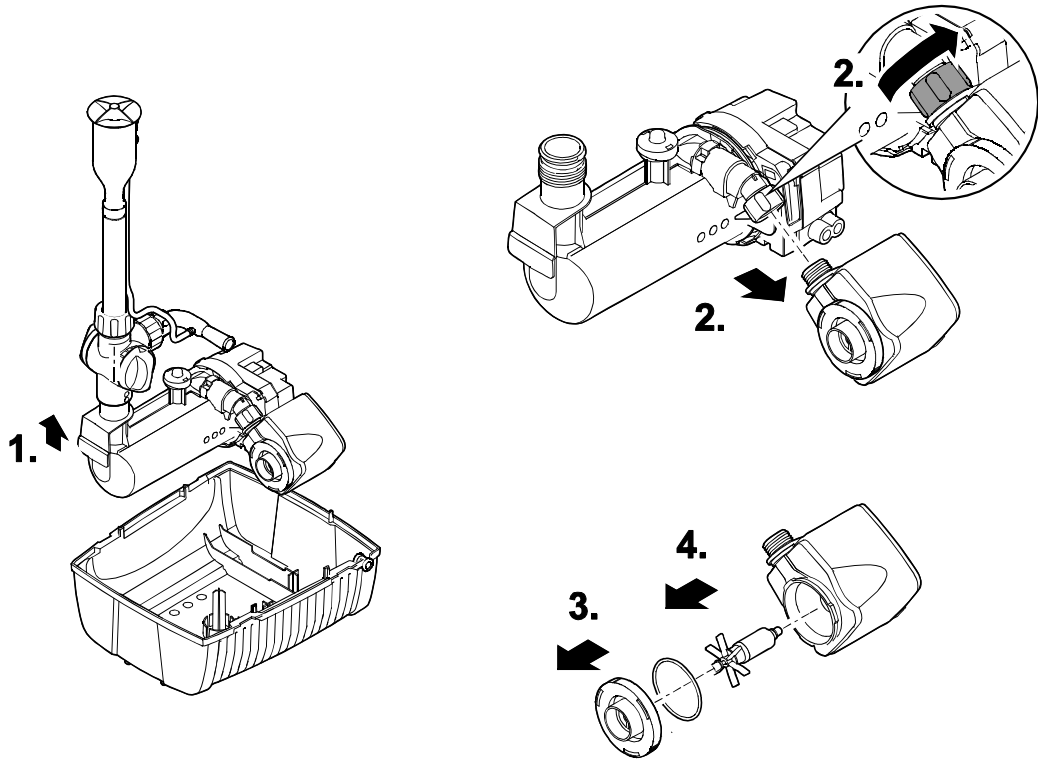
G

FTL0039





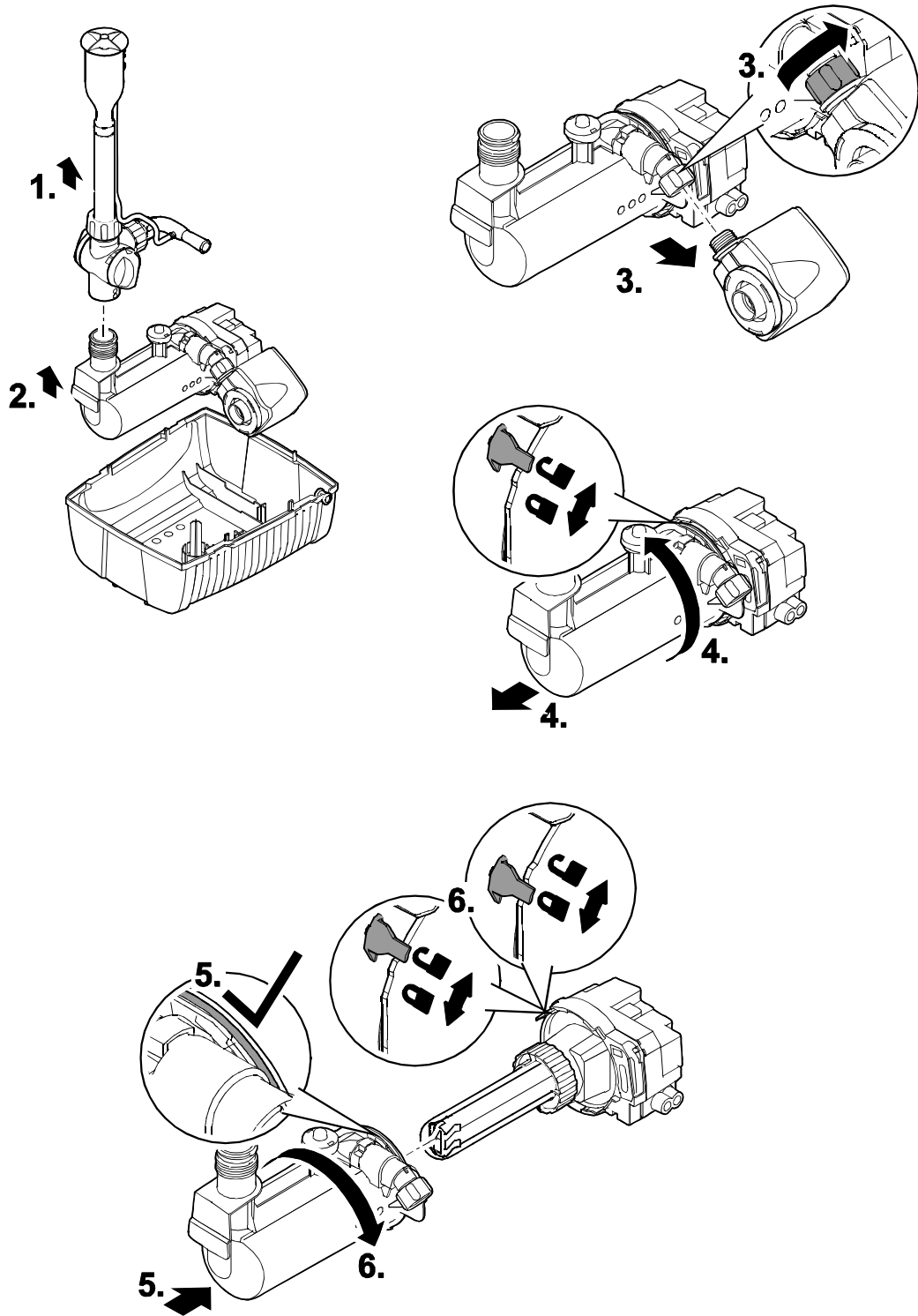
K



FTL0031

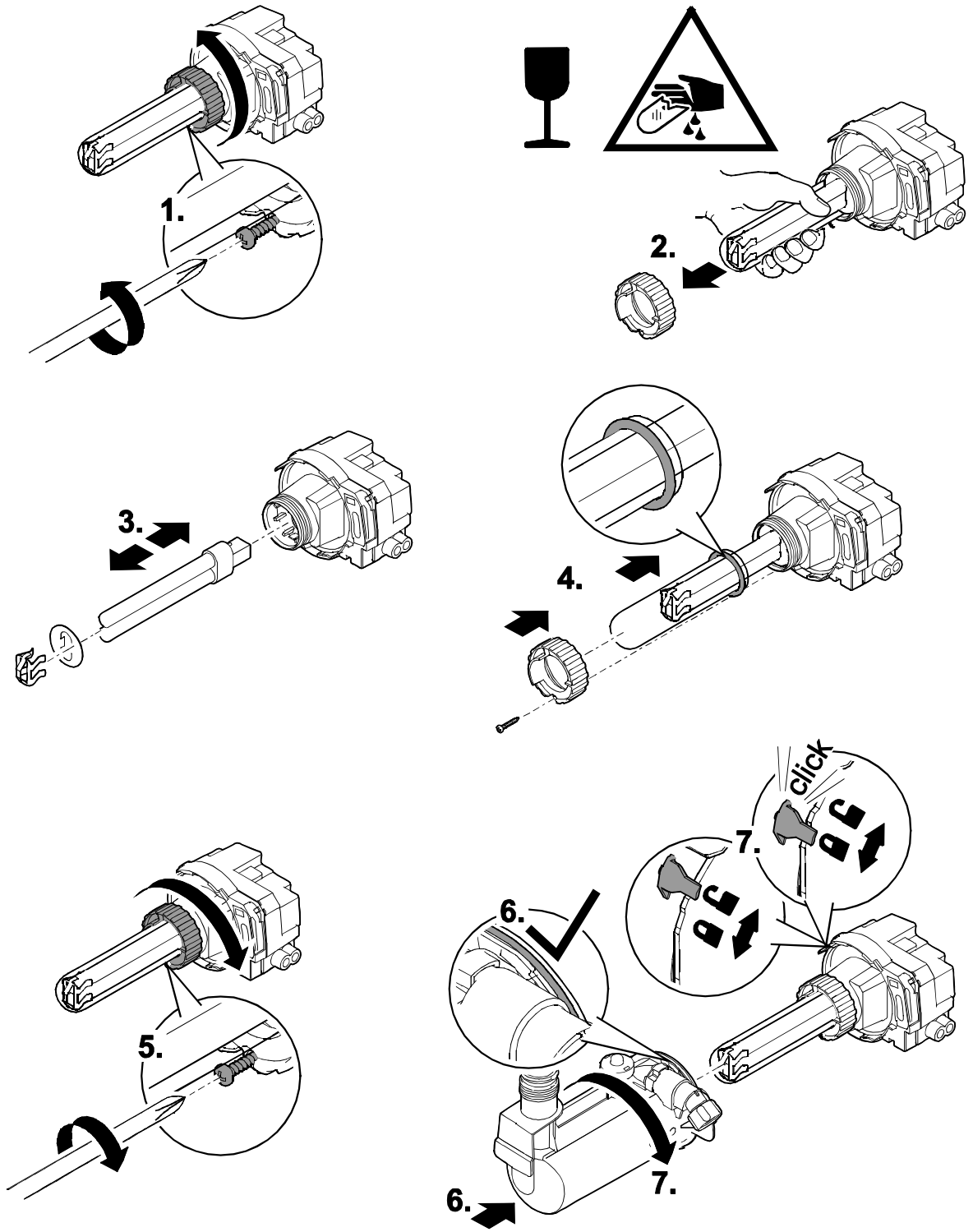


L



FTL0032

M



FTL0037

WARNING

- This unit can be used by children aged 8 and above and by persons with reduced physical, sensory or mental capabilities or lack of experience and knowledge if they are supervised or have been instructed on how to use the unit in a safe way and they understand the hazards involved.
- Do not allow children to play with the unit.
- Only allow children to carry out cleaning and user maintenance under supervision.
- Ensure that the unit is fused for a rated fault current of max. 30 mA by means of a fault current protection device.
- Only connect the unit if the electrical data of the unit and the power supply correspond. The unit data is to be found on the unit type plate, on the packaging or in this manual.
- Possible death or severe injury from electrocution! Before reaching into the water, disconnect all electrical units in the water from the mains.
- Do not use the unit if electrical cables or housings are damaged.
- Only operate the unit if no persons are in the water.
- Disconnect the power plug before carrying out any work on the unit.

Safety information

Electrical connection

- Electrical installations must meet the national regulations and may only be carried out by a qualified electrician.
- A person is regarded as a qualified electrician if, due to his/her vocational education, knowledge and experience, he or she is capable of and authorised to judge and carry out the work commissioned to him/her. This also includes the recognition of possible hazards and the adherence to the pertinent regional and national standards, rules and regulations.
- For your own safety, please consult a qualified electrician.
- Extension cables and power distributors (e.g. outlet strips) must be suitable for outdoor use (splash-proof).
- Protect the plug connection from moisture.
- Only connect the unit to a correctly fitted socket.

Safe operation

- The UVC lamp installed in the device should never be used outside of its housing or in a damaged housing. The ultraviolet radiation can burn the skin and eyes.
- Never carry or pull the unit by the electrical cable.
- Route cables such that they are protected from damage and do not present a tripping hazard.
- Only open the unit housing or its attendant components if this is explicitly specified in the operating instructions.
- Only carry out work on the unit that is described in this manual. If problems cannot be overcome, please contact an authorised customer service point or, if in doubt, the manufacturer.
- Only use original spare parts and accessories for the unit.
- Never carry out technical changes to the unit.

Information about this operating manual

You made a good choice with the purchase of this product **Filtral UVC 1500/3000/6000/9000**.

Prior to commissioning the unit, please read the instructions of use carefully and fully familiarise yourself with the unit.

Ensure that all work on and with this unit is only carried out in accordance with these instructions.

Adhere to the safety information for the correct and safe use of the unit.

Keep these instructions in a safe place! Please also hand over the instructions when passing the unit on to a new owner.

Warnings used in these instructions

The warning information is categorised by signal words, which indicate the extent of the hazard.



CAUTION

Indicates a possibly dangerous situation, which could lead to medium or minor injuries, if not avoided.



NOTE

Indicates a possibly dangerous situation, which could lead to damage to property or the environment, if not avoided.

Cross-references used in these instructions

□ A reference to a figure, e.g. figure A.

→ Reference to another section.

Product Description

Filtral UVC 1500/3000/6000/9000 is an underwater filter with integrated pump and UVC clarifier. The filter media and the UVC clarifier integrated in the device remove dirt, algae and bacteria.

Scope of delivery

☐ A	Filtral		Description
	1500	3000/6000/9000	
1	●	●	Underwater filter
2	●	●	2 × screws – For hanging the underwater filter to a side of the pond.
3	●	–	Connection fitting for ball joint
4	●	–	Branch valve with flow-rate regulators – Possible connection for water courses/water features, ½".
5	●	●	Union nut – For securing the upright position of the nozzle pipe.
6	●	●	Nozzle pipe
7	●	●	Nozzle connection with hose bracket
8	●	●	Nozzle inserts (Vulkan, Lava, Magma) – Creates different water features.
9	–	●	Branch valve with flow-rate regulators – Possible connection for Venturi nozzle or watercourse/water feature, 1".
10	–	●	Venturi nozzle – for pond aeration.
11	–	●	Hose – sucks air into the Venturi nozzle.
12	–	●	Stepped hose adapter with union nut
13	–	●	Reduction element – Spacer ring for use with the Venturi nozzle or the second output on the branch valve.

Intended use

Only use the product described in this manual as follows:

- For cleaning garden ponds.
- For operation with clean water.
- Operate in accordance with instructions. (→ Technical data)

The following restrictions apply to the unit:

- Do not use in swimming ponds.
- The UVC clarifier installed in the device kills algae and bacteria in the pond water. The UVC lamp may never be used for any other purpose or outside of the housing.
- Never use the unit with fluids other than water.
- Never run the unit without water.
- Do not use for commercial or industrial purposes.
- Do not use in conjunction with chemicals, foodstuff, easily flammable or explosive substances.

Assembly

Operation with water feature

When operating together with a water feature, the device should be set up horizontally.

(→ Set up the device horizontally)

☐ B, C

The branch valve is mounted together with the nozzle pipe and nozzle insert at the device's output.

- Depending on the nozzle insert used, a specific water feature is created.

Connection to the second output of the branch valve:

- Hose connection for a watercourse/water feature.
- Filtral 1500: Operation is possible either with the fountain or with the optionally available Venturi nozzle.
- Filtral 3000/6000/9000: When using the Venturi nozzle, run the air hose along the nozzle pipe and secure in the holder on the nozzle connection. The air hose must be able to suck in air, no water may be allowed to enter the air hose.

Hand-tighten the bolt connections.

Operation without water feature

When operating without a water feature, the device can be set up either horizontally or hung up.

(→ Set up the device horizontally)

(→ Hang up the device)

D, E

Connection to the output of Filtral 1500:

- Use a branch valve in order to connect up the hose for a watercourse/water feature.
- Connection for a Venturi nozzle (optionally available, 70364).
- Do not connect anything to the output.

Connection to the output of Filtral 3000/6000/9000:

- Connecting up the Venturi nozzle provided with scope of delivery (possible with and without a branch valve).
- Hose connection for a watercourse/water feature (possible with and without a branch valve).
- Do not connect anything to the output.

Hand-tighten the bolt connections.

Installation

Set up the device horizontally

Adhere to the following conditions for dry installation:

F

- Ensure that the connection to the power supply is at least 2 m from the pond.
- Only install the unit below water level.
- Position the device in such a way that the nozzle insert is located above the water level.
- Set up the device horizontally on a firm, mud-free surface.

Hang up the device

Adhere to the following conditions for dry installation:

G

- Ensure that the connection to the power supply is at least 2 m from the pond.
- Only install the unit below water level.
- Only operate the device without a nozzle pipe and nozzle insert.
- Hang up on the bolts using a cord. Secure the cord on the side of the pond.

Set-up fountain/feature

In order to adapt the water feature, the length and the vertical position of the nozzle pipe need to be altered. The water flow rate can be regulated using the two flow-rate regulators on the branch valve.

How to proceed:

H

1. Set the nozzle pipe to the length required.
2. Loosen the union nut, align the nozzle pipe vertically and hand-tighten the union nut once again.

Commissioning/start-up



NOTE

The unit will be destroyed if it is operated with a dimmer. It contains sensitive electrical components.

- Do not connect the unit to a dimmable power supply.

Switching on: Connect the unit to the mains. The unit switches on immediately.

Switching off: Disconnect the unit from the mains.

I

The viewing window shows that the UVC lamp in the device is working.

Remedy of faults

Malfunction	Cause	Remedy
Unit is not operating	No mains voltage	Check the mains voltage.
	Water housing is open (safety switch in water housing automatically switches off the pump)	Turn the head of the unit clockwise until the mark points toward the locked lock
Delivery or fountain height insufficient or not consistent, Cloudy water	Nozzle blocked	Unscrew and clean the nozzle insert
	The loss of pressure on the pipe to the water-course/water feature is too high	Reduce hose length and connecting parts to a minimum, route hoses as straight as possible
	Intake openings blocked	Clean housing
	Filter media clogged	Clean filter media
	Impeller unit blocked	Clean the running unit
	Pond extremely dirty	Remove algae and leaves from the pond, change the water
	Quartz glass tube soiled	Clean the quartz glass tube
	Flow regulator excessively throttled	Set flow regulator
The UVC lamp is not lit	The UVC lamp overheats. The temperature monitor turned off the UVC lamp	After cooling down, the UVC lamp switches on again automatically
	The UVC lamp is defective	Replace the UVC lamp.
	The UVC lamp is not inserted into the socket properly	Insert the UVC lamp correctly into the socket
Unit switches off after a short running period	Water temperature too high	Observe the maximum water temperature of +35 C

Maintenance and cleaning

Recommendation regarding cleaning:

- Clean the unit as required but at least twice a year.
- When cleaning the pump, pay particular attention to the cleaning of the impeller unit and pump housing.
- Clean the inspection window with cotton swabs.

Do not use chemical cleaning agents. Chemical cleaning agents kill the dirt-consuming microorganisms in the filter media and so reduce the filter performance.

Keep the unit straight when removing it from the pond, as the bottom section of the filter may contain dirt.

Access to the device

The device must be opened to carry out cleaning and maintenance, opening allows access to the filter media, filter pump and UVC clarifier or UVC lamp.

How to proceed:

J

1. Release the clamps on the upper filter shell and remove the upper filter shell from the device.
2. Remove filter media.

Clean filter media

Prerequisite:

- Housing is opened. (→ Access to the device)

How to proceed:

1. Carefully clean the removed filter media using clean tap water.
2. Also clean the upper filter shell and the filter subshell carefully with clean tap water.
3. Reassemble the unit in the reverse order.

Clean filter pump

Prerequisite:

- Housing is opened. (→ Access to the device)

How to proceed:

K

1. Remove the filter pump and the UVC clarifier from the device.
 - When doing so, peel off the cable support sleeve on the connection cable from the groove in the filter subshell.
2. Remove the union nut and pull off the pump.
3. Rotate the pump cover counter-clockwise and remove.
 - Pay attention that the seal does not get lost.
4. Pull the running unit out of the pump.
5. Clean all components using clean tap water.
6. Reassemble the unit in the reverse order.

J

7. Pay attention to the cable support sleeve on the connection cable. This must be reapplied to the groove of the filter subshell.

Clean UVC clarifier



CAUTION

The quartz glass and UVC lamp could break and result in cuts.

- Be careful when carrying out all work on the UVC clarifier in order to avoid cuts.
- Shocks, impacts and hectic movements should be avoided to prevent the breaking of glass.

For safety reasons, the UVC lamp can only be turned on when the UVC clarifier is properly installed into the device.

Prerequisite:

- Housing is opened. (→ Access to the device)

How to proceed:

L

1. Unscrew the nozzle pipe for the purpose of easier handling of the device.
2. Remove the filter pump and the UVC clarifier from the device.
 - When doing so, peel off the cable support sleeve on the connection cable from the groove in the filter subshell.
3. Remove the union nut and pull off the pump.
4. Rotate the water housing counter-clockwise until the marking points to the opened lock. Subsequently, carefully remove the water housing from the device head and clean all parts.
 - Heavy impacts can damage the quartz glass or the UVC lamp underneath.
 - Check the quartz glass for visible damage.
 - Clean: Clean the quartz glass from the outside with a damp cloth, the water housing with clean water and a brush.
5. After cleaning, carefully slide the device head back onto the water housing.
 - Pay attention that the big O-ring has been inserted so as to ensure that the housing is watertight.
6. Rotate the device head clockwise until the marking points to the closed lock.
7. Put the device back together by completely executing the steps in the reverse order.

Exchange the UVC lamp



CAUTION

The quartz glass and UVC lamp could break and result in cuts.

- Be careful when carrying out all work on the UVC clarifier in order to avoid cuts.
- Shocks, impacts and hectic movements should be avoided to prevent the breaking of glass.

For safety reasons, the UVC lamp can only be turned on when the UVC clarifier is properly installed into the device.

Recommendation: To ensure optimum filter performance, the UVC lamp should be replaced after approx. 8000 operating hours.

Prerequisite:

- Housing is opened. (→ Access to the device)
- The water housing of the UVC clarifier is opened.(→ Clean UVC clarifier)

How to proceed:

- M
1. Using a screwdriver, loosen the safety screw securing the union nut on the quartz glass.
 2. Unscrew the union nut counter-clockwise, then carefully remove the quartz glass.
 - Heavy impacts can damage the quartz glass or the UVC lamp underneath.
 3. Carefully remove the lamp protection from the UVC lamp, then remove the shielding plate from the base and finally pull the UVC lamp out of the base. Replace with a new UVC lamp.
 - Only use UVC lamps that correspond with the device's technical data. (→ Technical data)
 - After replacing the lamp, reinstall the shielding plate and the lamp protection at their respective positions.
 4. Carefully slide the quartz glass with the union nut and the O-ring onto the UVC lamp.
 - Pay attention that the O-ring is located between the union nut and the thread on the UVC clarifier, in order that the quartz glass closes watertight.
 5. Tighten the union nut in the clockwise direction as tightly as possible. Then tighten the safety screw on the union nut.
 6. Carefully slide the device head back onto the water housing.
 - Pay attention that the big O-ring has been inserted so as to ensure that the housing is watertight.
 7. Rotate the device head clockwise until the marking points to the closed lock.
 8. Put the device back together by completely executing the steps in the reverse order.

Storage/overwintering

The unit is not frost-proof and has to be removed and put into storage if minus temperatures are expected.

How to correctly store the unit:

- Thoroughly clean the unit, check it for damage and replace any damaged parts.
- Drain the unit as far as possible, clean thoroughly and check for damage.
- Empty all hoses, pipes and connections as far as possible.
- Protect electrical connections from moisture and dirt.
- Store the pump submerged and in a frost-free environment.
- Protect open plug connections from moisture and dirt.

Wear parts

- Filter media
- Impeller unit
- UVC lamp, quartz glass and O ring for quartz glass

Spare parts

The use of original parts from OASE ensures continued safe and reliable operation of the unit.

Please visit our website for spare parts drawings and spare parts.



www.oase-livingwater.com/spareparts

Disposal



NOTE

Do not dispose of this unit with domestic waste.







- Render the unit unusable beforehand by cutting the cables and dispose of the unit via the return system provided for this purpose.
- Dispose of UVC lamps by availing of the take-back system in place for this purpose.

Technical data

Description		Filtral				
		1500	3000	6000	9000	
Rated voltage	V AC	230	230	230	230	
Rated frequency	Hz	50	50	50	50	
Power consumption	W	18	36	52	58	
Performance of UVC lamp TC-S	W	5	9	11	13	
Hose connection for branch valve		mm	13	–	–	–
	Stepped hose adapter	mm	–	13/19/25	13/19/25	13/19/25
Max. conveying performance	l/h	560	1200	1700	1700	
Max. water column	m	0.9	1.8	2.1	2.1	
Air conveying performance of the Venturi nozzle with a 1.5 m hose with a submerged depth of	0.1 m	l/h	35 ¹⁾	116	218	218
	0.2 m	l/h	28 ¹⁾	105	184	184
	0.3 m	l/h	21 ¹⁾	97	166	166
	0.4 m	l/h	–	89	147	147
	0.6 m	l/h	–	74	127	127
	0.8 m	l/h	–	33	122	122
	1.0 m	l/h	–	–	105	105
	1.2 m	l/h	–	–	76	76
Max. immersion depth for Venturi nozzle + nozzle clearance with 1.5 m air hose	m	–	0.3	0.4	0.4	
Filter surface	cm ²	301	440	697	697	
Filter foam (blue)	Quantity	1	1	1	1	
	Pore size	ppi	10	10	10	10
Filter foam (red)	Quantity	1	1	1	1	
	Pore size	ppi	30	30	30	30
Number of bio surface elements		1	2	4	4	
Number of bags of filter ceramic		1	1	1	1	
Pond size (with fish)	m ³	0.75	1.5	3	4.5	
Pond size (without fish)	m ³	1.5	3	6	9	
Dimensions	Length	mm	207	269	347	347
	Width	mm	228	245	276	276
	Height	mm	130	140	157	157
Weight	kg	2.7	3.4	4.9	4.9	
Length of the connection cable	m	10	10	10	10	

1) With optionally available Venturi nozzle

Symbols on the unit

	Dust-tight. Watertight to 2 m depth.
	Dangerous UVC radiation!
	Remove the unit at temperatures below zero (centigrade).
	Fragile, handle with care. Danger of cut injuries.
	Do not dispose of together with household waste!
	Read the operating instructions!