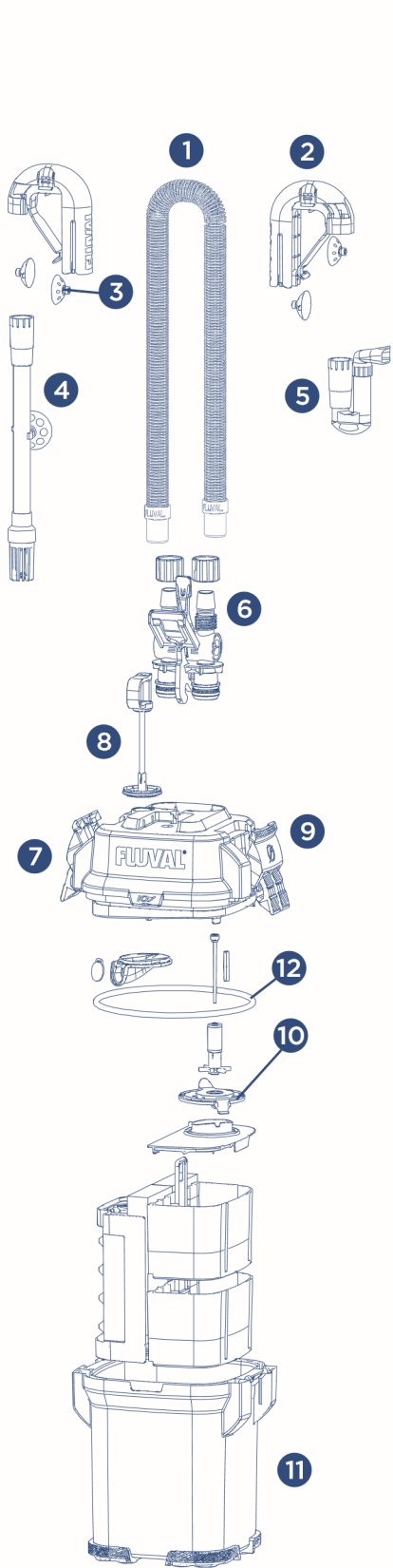


**07**  
**SERIES**

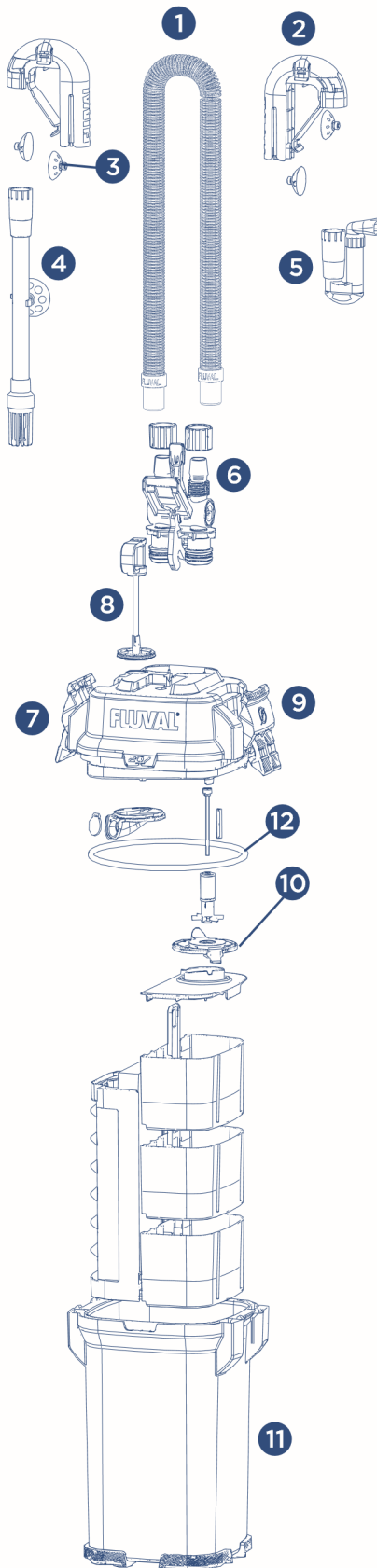
USER MANUAL  
MODE D'EMPLOI  
BENUTZERHANDBUCH  
MANUAL DEL USUARIO  
GEBRUIKERSHANDLEIDING  
MANUAL DO UTILIZADOR  
РУКОВОДСТВО ПОЛЬЗОВАТЕЛЯ  
PODRĘCZNIK UŻYTKOWNIKA  
UŽIVATELSKÁ PŘÍRUČKA

**FLUVAL®**



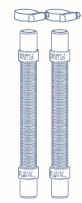


107



207

**HOSING SETUP FOR  
VICENZA, VENEZIA  
& ROMA AQUARIUMS**

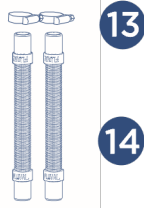
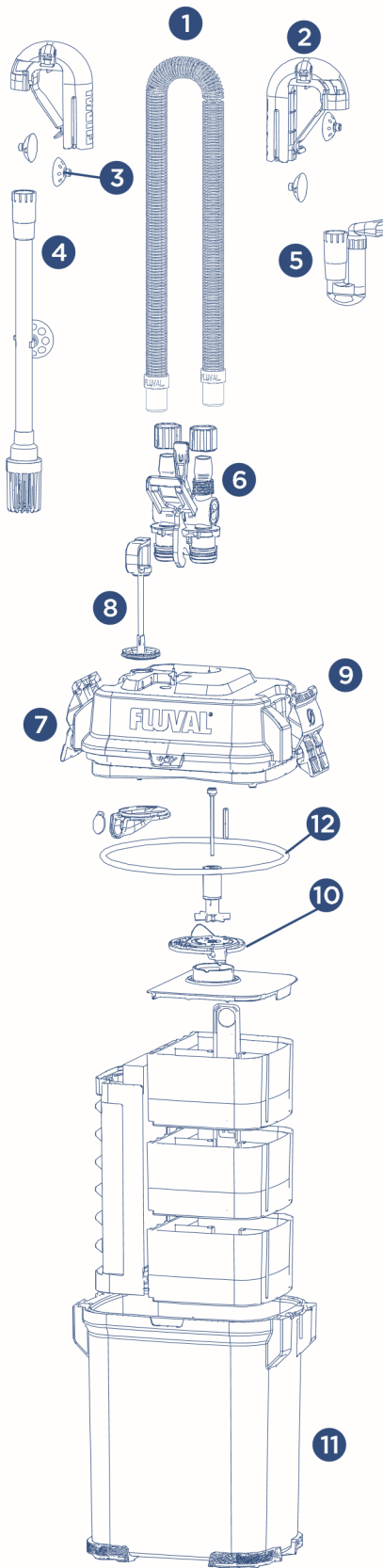


13

14

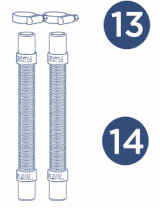
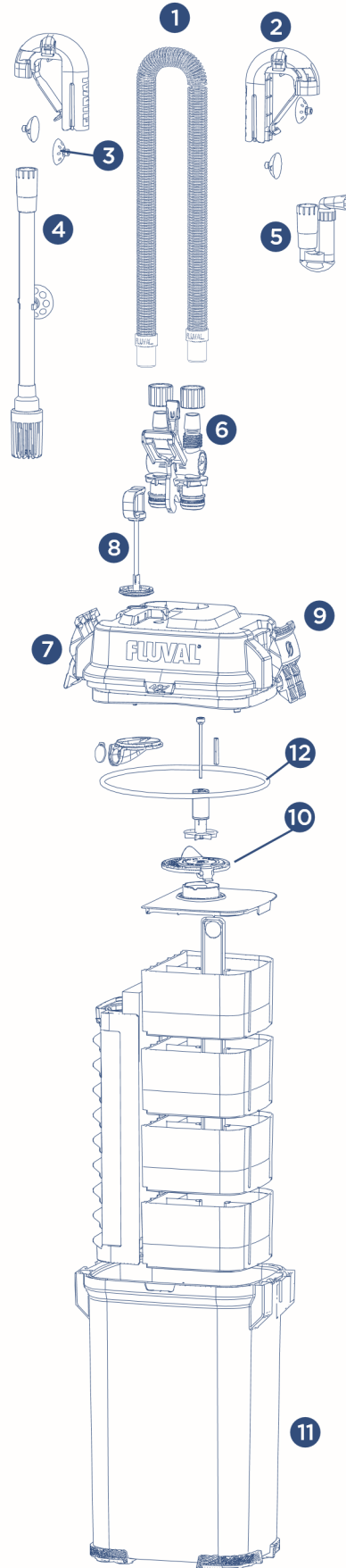
Please refer to  
Easy Connect System  
Installation in the  
Fluval Roma, Vicenza  
or Venezia Aquarium  
Instruction Manual

**HOSING SETUP FOR  
VICENZA, VENEZIA  
& ROMA AQUARIUMS**



Please refer to  
Easy Connect System  
Installation in the  
Fluval Roma, Vicenza  
or Venezia Aquarium  
Instruction Manual

**HOSING SETUP FOR  
VICENZA, VENEZIA  
& ROMA AQUARIUMS**



Please refer to  
Easy Connect System  
Installation in the  
Fluval Roma, Vicenza  
or Venezia Aquarium  
Instruction Manual

**307**

**407**

# PRODUCT PARTS

## FLUVAL CANISTER FILTER

Refer to diagram on inside front cover.

- |                                    |   |
|------------------------------------|---|
| 1 Hosing                           | 7 Canister cover (Motor Head)             |
| 2 Rim connector assemblies (2)     | 8 Instant-prime handle (attached)         |
| 3 Suction cups (4)                 | 9 Lift-lock clamps (attached)             |
| 4 Intake assembly with suction cup | 10 Impeller cover                         |
| 5 Output nozzle assembly           | 11 Filter canister (media baskets inside) |
| 6 AquaStop valve                   | 12 Motor head gasket                      |

VICENZA, VENEZIA & ROMA AQUARIUMS ONLY

- |                     |                      |
|---------------------|----------------------|
| 13 Metal Clamps (2) | 14 Ribbed Hosing (2) |
|---------------------|----------------------|



## MEDIA CONFIGURATION

Your Fluval 07 Series filter comes pre-loaded with media. When replacing the media, it is recommended to follow the same order to help ensure optimal efficiency and best results.





# IMPORTANT SAFETY INSTRUCTIONS

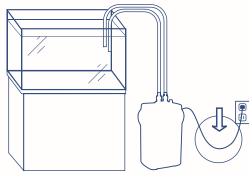
**WARNING - To guard against injury, basic safety precautions should be observed including the following:**

## 1. READ & FOLLOW ALL SAFETY INSTRUCTIONS

and all the important notices on the appliance before using. Failure to do so may result in the loss of fish life and/or damage to the appliance.

## 2. DANGER – To avoid possible electric shock, special care should be taken since water is employed in the use of aquarium equipment. For each of the following situations, do not attempt repairs yourself, return the appliance to an authorized service facility for service or discard the appliance.

- A. If the appliance falls into the water, **DON'T** reach for it! First unplug it and then retrieve it. If electrical components of the appliance get wet, unplug the appliance immediately.
- B. If the appliance shows any sign of abnormal water leakage or if RCD (or GFCI – Ground Fault Current Interrupter) switches off, disconnect the power supply cord from the mains.
- C. Carefully examine the appliance after installation. It should not be plugged in if there is water on parts not intended to be wet.
- D. Do not operate any appliance if it has a damaged cord or plug, or if it is malfunctioning or it is dropped or damaged in any manner. The power cord of this appliance cannot be replaced. If the cord is damaged, the appliance should be discarded. Never cut the cord.
- E. To avoid the possibility of the appliance plug or receptacle getting wet, position the appliance to one side of a wall mounted receptacle. To prevent water from dripping onto the receptacle or plug, a “drip loop” (see picture) should be arranged by the user in the cord connecting appliance to a receptacle. The “drip loop” is that part of the cord below the level of the receptacle or the connector, to prevent water travelling along the cord and coming in contact with the receptacle. If the plug or receptacle does get wet, **DON'T** unplug the cord. Disconnect the fuse or circuit breaker that supplies power to the appliance. Then unplug and examine for presence of water in receptacle.



3. **WARNING** – Close supervision is necessary when any appliance is used by or near children. This appliance can be used by children ages 8 years and above and persons with reduced physical, sensory or mental capabilities or lack of experience and knowledge if they have been given supervision or instruction concerning use of the appliance in a safe way and understand the hazards involved. Children shall not play with the appliance. Cleaning and user maintenance shall not be made by children without supervision.

## 4. To avoid injury, do not touch moving parts or hot parts.

5. **CAUTION** – Always unplug or disconnect all appliances in the aquarium from electricity supply before placing hands in water, before putting on or taking off parts and while the equipment is being installed, maintained or handled. Grasp the plug and pull to disconnect. Never yank cord to pull plug from outlet. Always unplug an appliance from an outlet when not in use.

6. This is an **AQUARIUM FILTER-PUMP INTENDED FOR DOMESTIC and INDOOR** use only. It is intended for use in ornamental household aquariums. It may be used with fresh or salt water. Maximum water temperature 35°C. Do not use this appliance for other than intended use (ie: DO NOT use in swimming pools, bathrooms etc.). The use of attachments not recommended or sold by the appliance manufacturer may cause an unsafe condition and will invalidate your warranty.

7. This appliance is not a submersible aquarium filter pump. Do not install or store this appliance where it will be exposed to the weather or temperatures below freezing.

8. Make sure that this appliance is securely installed before operating it and that the electrical connection is in accordance with the data on the rating label. Do not allow filter pump to run dry.

9. If an extension cord is necessary, a cord with proper rating should be used. A cord rated for less amperes or watts than the appliance rating may overheat. Care should be taken to arrange the cord so that it will not be tripped over or pulled. The connection should be carried out by a qualified electrical installer.

## 10. SAVE THESE INSTRUCTIONS

for future reference.



# IMPORTANT

To ensure optimal and proper functioning of your 07 Series Fluval External Filter, regular maintenance is required. Failure to do so may result in the failure of the filter and will invalidate your warranty. Additionally, regular cleaning and maintenance will greatly reduce or completely prevent faults and reduction in performance. Please refer to the maintenance schedule below.

## RECOMMENDED MAINTENANCE FREQUENCY

COMPONENTS	MONTHLY	EVERY 3 MONTHS	EVERY 6 MONTHS	YEARLY
Magnetic Impeller & Impeller Well <sup>1,4,6</sup>	Check & Clean			Replace (Impeller only)
Ceramic Shaft <sup>4</sup>	Check & Clean			Replace
Intake Stem/Strainer <sup>3</sup>		Check & Clean		
Ribbed Hosing				Check & Clean
Primer Assembly with Primer Cover			Clean & Lubricate	
Motor Head Gasket <sup>2,5</sup>	Clean & Lubricate			Replace
AquaStop O-ring Gaskets		Clean & Lubricate		
Quick Clear	Replace			
Bio-Foam	Check & Clean		Replace	
Bio-Foam+	Check & Clean		Replace	
Bio-Foam Max	Check & Clean		Replace	
BIOMAX	Rinse with aquarium water		Replace Half Quantity	
Pre-Filter			Replace Half Quantity	
BIOTERRA	Rinse with aquarium water		Replace Half Quantity	
Carbon	Replace			
Ammonia Remover	Replace			
Zeo-Carb	Replace			
Phosphate Remover (Pad)	Replace			
Nitrite Remover (Pad)	Replace			
Ammonia Remover (Pad)	Replace			

To ensure constant presence of beneficial bacteria, never replace all media at the same time.

1. Ensure Impeller Cover is fitted right way up when replacing.
2. Lubricate Motor Head (“O” Ring) gasket using an inert lubricant (i.e. Fluval Silicone Lubricant #A325 or vegetable oil). Do NOT use petroleum jelly based products.
3. Pipes will gradually block with protein slime and waste.
4. Yearly replacement ensures optimal performance.
5. The Motor Head Gasket (“O” Ring) will deteriorate over time and must be replaced yearly to avoid the potential for leaks.
6. Impeller will wear out over time. As a preventative step, replace yearly.

MODEL	107	207	307	407
AQUARIUM*	10-30 US Gal 40-130 L	20-45 US Gal 60-220 L	40-70 US Gal 90-330 L	50-100 US Gal 150-500 L
PUMP PERFORMANCE	145 US Gal/h 550 L/h	206 US Gal/h 780 L/h	303 US Gal/h 1150 L/h	383 US Gal/h 1450 L/h
VERTICAL PRE-FILTER	514 cm <sup>2</sup>	803 cm <sup>2</sup>	803 cm <sup>2</sup>	1074 cm <sup>2</sup>
BASKET VOLUME	1.2 L	1.8 L	3.1 L	4.2 L
TOTAL CHAMBER VOLUME	2.0 L	3.1 L	4.5 L	6.0 L
CANISTER VOLUME	3.9 L	5.3 L	7.3 L	9.2 L
FILTER DIMENSIONS	7.5" x 7" x 13.7" 19 x 18 x 35 cm	7.5" x 7" x 16.5" 19 x 18 x 42 cm	9.5" x 7" x 16.5" 24 x 18 x 42 cm	9.5" x 7" x 19.3" 24 x 18 x 49 cm
FILTER CIRCULATION**	95 US Gal/h 360 L/h	121 US Gal/h 460 L/h	206 US Gal/h 780 L/h	245 US Gal/h 930 L/h
MAX WATER COLUMN HEIGHT	1.45 m	1.45 m	1.75 m	2.25 m
WATTAGE – 120V/60Hz: WATTAGE – 230-240V/50Hz:	10 W	10 W	16 W 15 W	23 W 20 W

\*Aquarium recommendations are based on North American (US Gal) or European (L) standard aquarium usage

\*\*Flow rates were measured with intake and output hoses of the same length

# INSTALLATION AND USE

## IMPORTANT: Read all instructions before beginning.

- Ensure water level remains below output nozzle during setup.
- Allow 30-45 minutes for setup and installation.
- Tools required: Utility knife. (Note: For an unusually shallow aquarium, the intake tube may need to be cut; this requires a hacksaw.)

## DO NOT PLUG IN FILTER UNTIL SETUP IS COMPLETE AND UNIT IS FILLED WITH WATER.

### 1. Unpack and identify all parts

Use the diagram on the inside front cover as a guide. A parts guide can also be found at the end of this manual.

### 2. Prepare the aquarium

1. **Decide on filter placement.** Remember, this is a gravity-fed system. For it to work properly, all the Installation Requirements below must be adhered to.

#### Installation Requirements

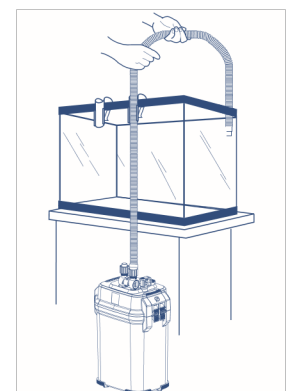
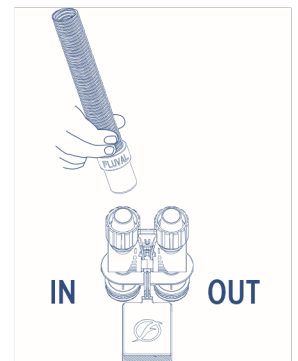
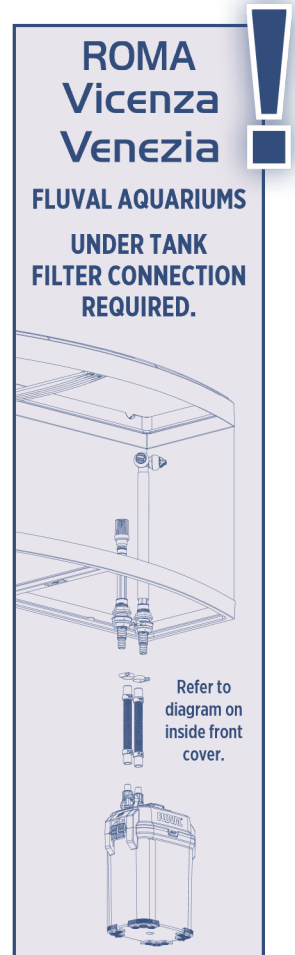
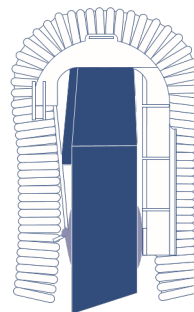
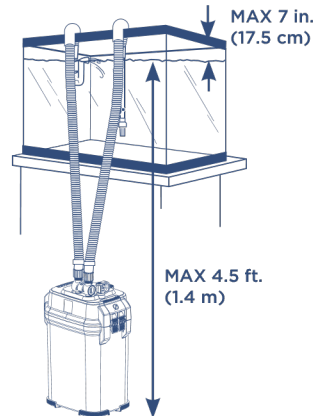
- The canister base must **never be more than 4.5 ft. (1.4 m)** below the water level.
  - Hosing must follow a **straight path** from the filter to the aquarium rim, with **no loops and very little slack**.
  - The water level should **never be more than 7 in. (17.5 cm)** below your aquarium rim.
  - **The filter must ALWAYS be positioned below the aquarium.**
  - Intake tube should not be positioned in close proximity to an air source.
2. **Place the two rim connector assemblies over the back top edge of the aquarium.**  
Place one just above the spot where you want to position the intake tube; place the other just above the spot where you want to position the output nozzle. Be sure the longer section of each connector is on the outside of the aquarium. Attach suction cups to the outside and inside section of each connector.

**IMPORTANT:** Be sure to position the intake tube away from any air source—an air stone, an aeration device, or the output valve. Air entering the intake strainer will diminish filter efficiency.

### 3. Prepare intake connections

1. **Insert the AquaStop valve into the intake and output connectors on the cover**, and push down on the locking lever to lock it in place.
  - a. Position the filter below the aquarium where it will sit while operating.
  - b. **Attach hosing to the intake connector (IN) on the AquaStop valve**; the input connector will be on your left.
  - c. Push one end of the hosing onto the valve; push it all the way, as far as it will go.
  - d. Turn the lock nut counter clockwise until it is as tight as you can make it without forcing.
2. **Measure and cut the hosing.** You will need a length of hosing that reaches comfortably from the filter canister to inside the aquarium.
  - a. Stretch out the hosing up to the top of the aquarium so it rests over the “intake” rim connector assembly.
  - b. At a spot about 4 in. (10 cm) beyond the aquarium rim, use a utility knife to cut the hosing. **Do not cut the hosing too short.**

**IMPORTANT:** You will want the hosing to be long enough so that its connection point with the intake assembly is always about 3 in. (7.5 cm) below the water line. Remember, you can always cut hosing shorter during final installation, if necessary.

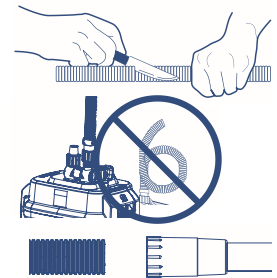


## INSTALLATION AND USE

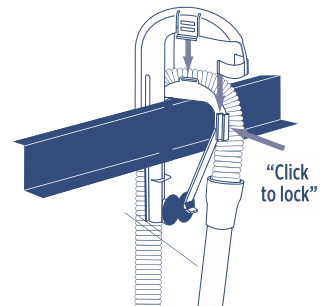
3. Push the cut end of this “intake” hosing into the rubber connector on the intake tube. Push the hosing in by at least 1 in. (2.5 cm) without twisting it.

### IMPORTANT:

- Hosing must follow a straight path with **no kinks or loops and very little slack**.
- If the hosing is too long, the filter will not work properly.
- The factory-finished end of the hosing must connect to the AquaStop valve.
- To ensure a watertight seal, the cut end of the hosing, which connects to the intake assembly, must be kept under water.

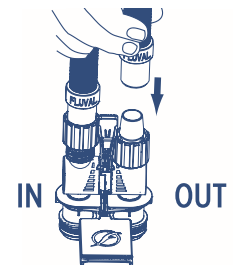


4. Clip the suction cup onto the intake assembly near the strainer and place the assembly in the tank, making sure the strainer is at least 3 in. (7.5 cm) from the bottom. (If the tube is too long for the height of your aquarium, remove the strainer from the intake assembly, cut the tube with a hacksaw, and then replace the strainer.) Once the intake assembly is properly positioned, lock it in place by pressing the suction cups against the glass.
5. Position the top half of the rim connector assembly over the hosing and push down until it “clicks” to lock the hosing in place.



## 4. Prepare output connections

- The remaining length of hosing will be used for output. Attach the hosing to the output connector (OUT) on the right side of the AquaStop valve.
  - Push the factory-finished end of the hosing onto the valve; push it all the way, as far as it will go.
  - Turn the lock nut counter clockwise until it is as tight as you can make it without forcing.

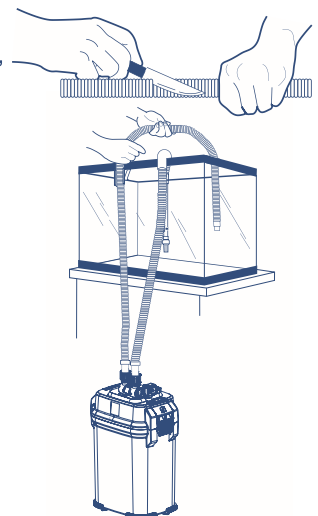
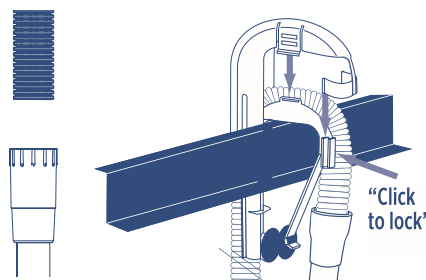


2. Measure and cut the hosing. Again, you will need a length of hosing that reaches comfortably from the filter canister to inside the aquarium.
  - Stretch out the hosing so it rests over the “output” rim connector assembly.
  - At a spot about 4 in. (10 cm) beyond the aquarium rim, use a utility knife to cut the hose **Do not cut the hose too short**. Remember, you can always cut it shorter during final installation, if necessary.

**IMPORTANT:** Remember, to maintain a watertight seal, the connection point between the hosing and the output nozzle should be kept below the water line.

3. Push the cut end of this “output” hosing into the rubber connector at the top of the output nozzle assembly. Push the hosing in by at least 1 in. (2.5 cm) without twisting it.

4. Place the output nozzle in the tank about 0.8 in. (2 cm) below the anticipated final water level; then push the top half of the rim connector assembly down until it “clicks” to lock the hosing in place.



# INSTALLATION AND USE

## 5. Prepare the Filter

First, disconnect the AquaStop valve from filter and bring the filter to a sink making sure there are no soaps or chemicals which could contaminate the filter.

**IMPORTANT:** The filter media supplied with your Fluval filter have been deliberately placed in Upper, Mid, and Lower level baskets to indicate their **recommended placement** for optimal basic filtration. Be sure to note this positioning and place media in baskets **at the same levels** as you prepare the filter for use.

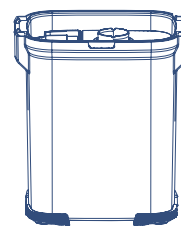
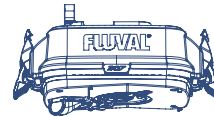
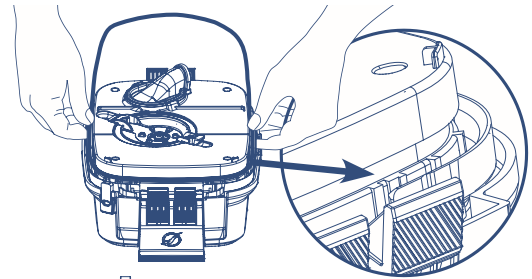
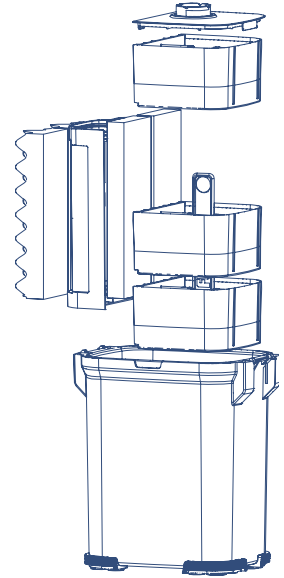
1. **Remove the pre-filter basket, media cover, and media baskets from the filter canister.**  
As you remove the media, note which levels they were packed in. Then **remove media from plastic packaging**; do not remove carbon from porous bag(s). Use the integrated center handle to lift media baskets out of the filter body.
2. **Rinse baskets and media materials under running tap water** to remove any dust, and place media in baskets. Or, if you prefer, select other media of your own choosing.
3. **Place rinsed and filled media baskets back in canister**, and put the media cover back on top basket.

**IMPORTANT:** Make certain that each kind of media is positioned at the same level it was packaged in, unless you are deliberately choosing a different filtration plan than the recommended basic setup. Never overfill baskets. If baskets or cover are out of position, cover may not close properly.

4. Rinse both sides of the foam screen frame under tap water before initial use to remove any possible contaminants, and slide it back into position in the canister, flat end down. **If the screen does not seem to fit properly, be sure it is not upside down.**
5. **Complete canister cover assembly:** Lay the canister cover on a flat surface with its topside down. Remove the lubricated rubber gasket from its plastic bag. To seal the cover opening properly, the gasket must be moist but it need not be wet. Carefully fit the gasket into the channel around the base of the motor head.
6. **Place the cover on the canister.** Be sure to position it properly. There is only one orientation possible.
7. **Lock the cover in place.** Push the double tabs of the lift-lock clamps under the rim; then press the upper tabs firmly against the cover. **DO NOT FILL CANISTER WITH WATER.**
8. **Place the unit in its final position.**

### IMPORTANT REMINDERS:

- This is a gravity-fed system. For it to work properly, the filter must be positioned vertically below the aquarium.
- The distance between the bottom of the canister and the maximum water level must not exceed 4.5 ft. (1.4 m).
- Hosing must follow a **straight path** from the filter to the aquarium rim, with **no loops and very little slack**.
- **If hosing is too long, filter will not work properly.**
- **The water level should never be more than 7 in. (17.5 cm) below your aquarium rim.**
- **NEVER install the filter above the water level.**

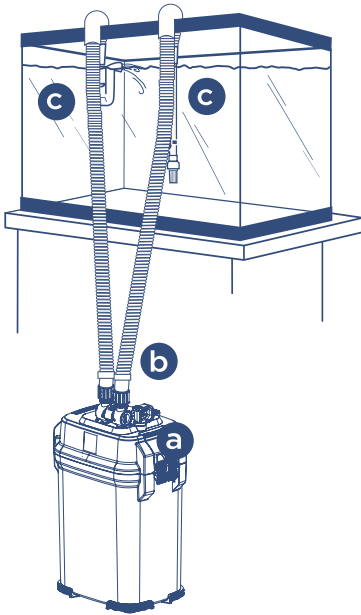




## INSTALLATION AND USE

9. Insert the AquaStop valve into the intake and output connectors on the cover, and push down on the locking lever to lock it in place.

10. Open the AquaStop valve by pushing the valve lever all the way down. (The valve must be fully open before the unit is turned on or primed.)



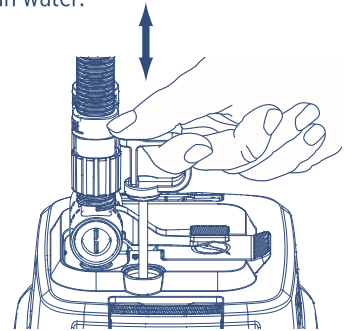
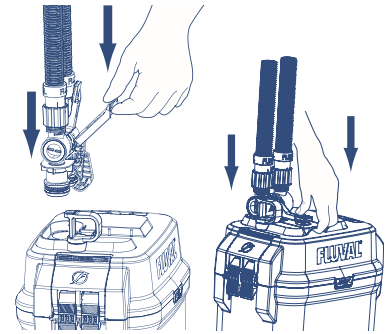
### 6. Start the filter

#### 1. Check your installation.

- Be sure lift-lock clamps are securely closed.
- Make certain that the AquaStop valve is fully open and pushed all the way down.
- Check that the intake assembly is fully submerged in water.

2. Pump the instant-prime handle by pulling it up and pushing it down 3 to 4 times until you hear water being drawn into the unit. Return the instant-prime handle to the down position. As water flows through the intake hosing, it will fill the canister, pushing air out of its way. Air will be expelled through the output nozzle, which should be located slightly above the water surface. To expel all the air in the system as quickly as possible, the AquaStop valve must be fully open. **Be sure the lever is all the way down.**

3. Once the bubbling in the tank stops, you'll know the air is out of the system, and the canister is full; plug the power cord into an electrical outlet.



**THE PUMP WILL START IMMEDIATELY.** Water should flow from the output nozzle continuously. If it does not, check your installation to be sure of the following:

- No kinks or loops in the hosing.
- The base of the canister is not more than 4.5 ft. (1.4 m) below the water level.
- The water is not more than 7 in. (17.5 cm) below the aquarium rim.
- The intake assembly is securely attached to the aquarium wall.
- No air is bubbling into the water at points where the intake assembly and the output nozzle connect to the hosing.
- No water is escaping from the hosing at the AquaStop valve connection points.
- The canister cover is securely closed.
- The AquaStop valve must be fully open before the unit is turned on or primed.

**IMPORTANT:** To prevent damage, never plug the filter in unless the canister is completely full of water.

### Adjusting Water Flow

Once the filter is operating continuously, you can use the top lever on the AquaStop to regulate the water flow. To reduce the water flow, lift the lever up to halfway, but no higher. This can be done once the unit is fully operational, and will not harm the motor. However, never run the filter with the lever up (closed) more than half way.

### Air in the Filter

Some air will become trapped in the canister as it fills; air may also be released by new media.

Eventually, the filter will expel all air pockets. If you notice excessive bursts of bubbling over an extended period of time, check all hosing and connections for air leaks. Also, make sure there is no air source (such as an airstone or aeration device) near the intake strainer.



# MAINTENANCE

**WARNING: ALWAYS DISCONNECT ALL APPLIANCES IN THE AQUARIUM FROM THE ELECTRICAL SUPPLY BEFORE PLACING HANDS IN THE WATER, BEFORE PUTTING ON OR TAKING OFF PARTS, AND WHENEVER THE FILTER EQUIPMENT IS BEING INSTALLED, MAINTAINED OR HANDLED.**

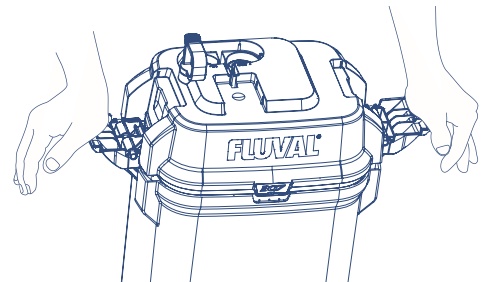
## Media Care

Filter Media must be periodically replaced or cleaned in accordance with instructions on individual packages. Actual life span of any type of media will vary based on usage and the specific characteristics of each aquarium. To remove and replace media, follow the instructions below.

**IMPORTANT:** Never replace all media at the same time. Stagger filter media changes so that some older media remains in use. This ensures re-seeding of beneficial bacteria, so that colonies discarded with old media will be replaced by vigorous new ones. To enhance bacterial action, use Fluval Cycle Biological Aquarium Supplement each time you change the media. All rubber parts, cover gasket, primer stem, AquaStop Valve and seal rings should be periodically lubricated using an inert lubricant such as Fluval Silicone lubricant (Item #A325) or vegetable oil.

### 1. Drain the filter

1. **Close the AquaStop valve** by lifting the lever all the way up. This seals off the input and output hosing connections to maintain the vacuum that is necessary in order to restart the filter without priming.
2. **Unplug the power cord.**
3. **Lift the locking lever** to release the AquaStop valve.  
**It is not necessary to remove the hosing from the AquaStop valve** unless the hosing, the AquaStop valve or both require cleaning. (Periodic cleaning is recommended to ensure optimal water flow. A good time to do this is during a major water change. To clean, rinse under running tap water; if necessary use an appropriate Fluval Cleaning brush).
4. **Hold the unit by the canister, not the cover, and move it to an appropriate flat surface** near a sink or other drain. (Be sure to keep it upright to avoid spills).
5. **Release the lift-lock clamps;** then push down on clamps to lift the cover/pump housing off the canister and set it aside.
6. Remove media cover, then using the center handle remove media baskets from canister. Next, lift and remove prefilter basket and place all media components in a sink or bucket.
7. Tilt the canister over a sink or drain and pour out all remaining water.
8. **Rinse the interior of the canister with clear water. NEVER use soap or detergents** when cleaning canister or rinsing prefilter or media baskets. Traces of cleaning products may remain on surfaces and damage sensitive fish tissues.
9. **Rinse the interior of the priming cylinder with clear water.** Be sure the cylinder has no debris trapped in the red flapper valve and it is sitting flush in a closed position.



### 2. Clean or replace media

1. **Replace chemical media (if included) as needed.** Chemical media cannot be cleaned.
2. **Rinse biological media with aquarium water, never tap water, or replace as required.**  
Never replace all biological media at one time, as valuable colonies of beneficial bacteria would be lost.
3. Rinse foams using aquarium or de-chlorinated tap water or replace foams as needed.  
For the most thorough cleaning possible, rinse each piece separately. Be sure that the bio-foam is protruding from the top of the pre-filter basket. Rinse any other mechanical media also.  
**NEVER use soap or detergents** as traces of cleaning products could harm fish.

# MAINTENANCE

## 3. Reassemble unit – DO NOT FILL CANISTER WITH WATER WHEN RE-ASSEMBLING UNIT

1. Place rinsed and filled media baskets back in canister and put cover back on top basket.
2. Replace pre-filter basket in canister. (Insert with flat end down.)
3. Always lubricate motor head gasket using an inert lubricant (i.e. Fluval Silicone Lubricant #A325 or vegetable oil).
4. Replace the cover. Be sure to position it properly. There is only one orientation possible.
5. Use the lock-lift clamps to close the cover securely.
6. Place the unit back in position; re-insert the AquaStop valve, and push down the locking lever to lock it in place.
7. Push down on the valve lever to open the AquaStop valve. Water should start flowing immediately.

**IMPORTANT:** If the hosing has been disconnected from the AquaStop valve, or if the system has lost its vacuum for some other reason, the canister will not fill automatically. Use the instant-prime handle to fill the canister.

8. Allow the canister to fill completely, then plug the power cord back into the electrical outlet.

**IMPORTANT:** If the canister is not full before the filter is plugged in, it may not work properly. The filter unit should never be allowed to run dry. Running the unit dry may result in damage to the motor.

## Impeller Care

The impeller well has an effective self-cleaning feature. However, it is recommended that you remove the impeller cover and inspect the impeller as part of your routine maintenance. Keeping the impeller clean lengthens its life and the life of the motor.

**IMPORTANT:** The impeller fan has a ceramic shaft, which is resistant to wear and tear in use, but is still fragile. Handle carefully during maintenance.

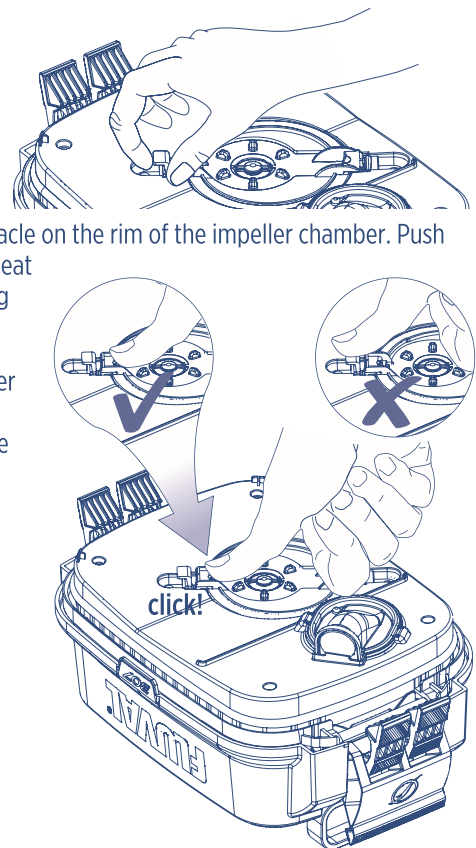
1. **Remove the impeller cover:** Pull the tab over and gently pry off.
2. **If the impeller needs cleaning,** grasp the fan and draw it gently from the well. Rinse it under clean water.
3. **If the well needs cleaning,** wipe gently with a Fluval Cleaning Brush.
4. **Replace the impeller in the well:** Slide the impeller cover tab into the tab receptacle on the rim of the impeller chamber. Push down the opposite side of the impeller cover making sure the impeller starts to seat itself in the center of the impeller cover. Continue to push down until the retaining tab “clicks” and locks into position.

**NOTE:** The ceramic impeller shaft is held on the bottom of the impeller well by a rubber support. The shaft can be easily extracted and reinserted by hand; however, pay close attention to be certain the rubber support does not become unseated. (Always replace the impeller cover to ensure proper alignment).

The impeller will wear out over time. A replacement may be ordered from your local Fluval dealer or by contacting Fluval/Rolf C Hagen Inc. customer service.

## Primer

Please note Primer handle can only be replaced in the event of breakage of the stem or handle.



## Recycling

This product bears the selective sorting symbol for waste electrical and electronic equipment (WEEE). This means that this product must be handled pursuant to European Directive 2012/19/EU in order to be recycled or dismantled to minimize its impact on the environment. Check with your local Environmental Agency for possible disposal instructions or take to an official council registered refuse collection point. **Electronic products not included in the selective sorting process are potentially dangerous for the environment and human health due to the presence of hazardous substances.**

## QUESTIONS?

**If you have product questions or require replacement parts, please first consult your local Fluval retailer.**

**Should you require technical support, please contact Fluval before returning the product under the warranty terms.**

**Most matters can be handled promptly with a phone call, or you can also contact us via [www.fluvalaquatics.com](http://www.fluvalaquatics.com).**

**Our website also features a detailed FAQ section, where you can find helpful answers and how-to videos on common queries.**

### CANADA

CALL US TOLL-FREE AT:

**1-800-554-2436**

between 9:00 a.m. and 4:00 p.m.

Eastern Standard Time.

Ask for Customer Service.

**FOR AUTHORISED  
GUARANTEE  
REPAIR SERVICE:**

Return with dated receipt to:

**Rolf C. Hagen Inc.**

Service and Repair

20500 Trans-Canada Hwy

Baie-D'Urfé, Québec H9X 0A2

### USA

CALL US TOLL-FREE AT:

**1-800-724-2436**

between 9:00 a.m. and 4:00 p.m.

Eastern Standard Time.

Ask for Customer Service.

**FOR AUTHORISED  
GUARANTEE  
REPAIR SERVICE:**

Return with dated receipt to:

**Rolf C. Hagen (USA) Corp**

Consumer Repairs

305 Forbes Blvd

Mansfield, MA 02048

### UK

CALL US AT:

**01977 521015**

between 9:00 AM and 5:00 PM,  
Monday to Thursday and 9:00 AM  
and 4:00 PM on Friday

(excluding Bank Holidays).

Ask for Customer Service.

**FOR AUTHORISED  
GUARANTEE  
REPAIR SERVICE:**

Return to your retailer with suitable proof of  
purchase and reason for return.

**Rolf C. Hagen (UK) Ltd**

California Drive, Whitwood Ind Est.,

Castleford, West Yorkshire WF10 5QH

For more information on our products, please visit [www.fluvalaquatics.com](http://www.fluvalaquatics.com)

### THREE (3) YEAR WARRANTY

Fluval 07 Series External Filters are warranted against defects in material and workmanship under normal aquarium usage and service for three (3) years from date of purchase. Non-replaceable and non-serviceable parts will be repaired or replaced at Hagen's discretion, free of charge, when the complete filter is returned with all components along with a valid proof of purchase and postage paid. The warranty does not cover wear and tear parts such as the impeller assembly or motor seal ring. The warranty does not cover wear and tear or parts which have not been adequately or correctly maintained. The warranty is limited to repair or replacement only and does not cover consequential loss, loss or damage to livestock, personal property or damage to animate or inanimate objects, irrespective of the cause thereof. This warranty is valid only under normal operating conditions for which the unit is intended. This excludes any damage caused by unreasonable use, negligence, improper installation, tampering, abuse or commercial use. Before returning the filter under warranty terms, please ensure that all setup and maintenance instructions have been followed. If you are in doubt, please contact your local aquatic specialist retailer for further advice before returning the product.

**WARRANTY IS ONLY VALID WITH PROOF OF PURCHASE FROM AN AUTHORIZED FLUVAL DEALER.**

**WARRANTY DOES NOT AFFECT YOUR STATUTORY RIGHTS.**

**FLUVAL**

## REPLACEMENT PARTS

**Order replacement parts from your Fluval dealer  
or by contacting Customer Service.**

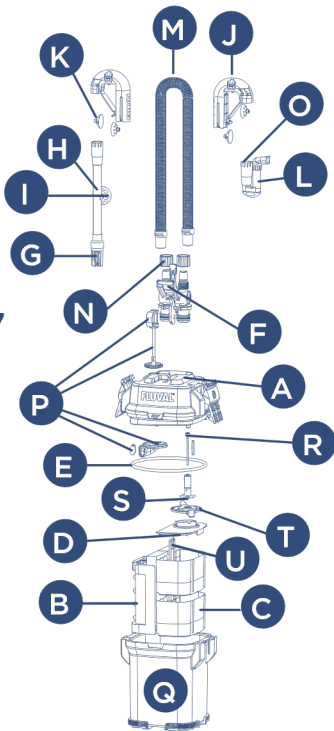
PARTS	FLUVAL 107	FLUVAL 207	FLUVAL 307	FLUVAL 407
A Motor Head	A20101	A20102	A20103	A20104
B Pre-Filter Basket	A20122	A20123	A20123	A20124
C Media Basket	A20046	A20046	A20043	A20043
D Media Basket Cover	A20042	A20042	A20067	A20067
E Motor Head Gasket	A20038	A20038	A20064	A20064
F AquaStop Valve	A20062	A20062	A20062	A20062
G Intake Strainer	A20007	A20007	A20008	A20008
H Intake Stem with Intake Strainer	A20010	A20010	A20011	A20011
I Suction Cup with clip (40 mm)	A15520	A15520	A15520	A15520
J Aquarium Rim Connector	A20026	A20026	A20026	A20026
K Suction Cup (30 mm)	A15041	A15041	A15041	A15041
L Output Nozzle	A20053	A20053	A20053	A20053
M Ribbed Hosing	A20014	A20014	A20015	A20015
N Hose-Lock Nuts	A20059	A20059	A20059	A20059
O Rubber Hose Connector	A20016	A20016	A20017	A20017
P Primer Assembly with Primer Cover	A20126	A20126	A20126	A20126
Q Filter Canister	A20183	A20188	A20193	A20198
R Ceramic Impeller Shaft & Rubber Bushing	A20039	A20039	A20039	A20039
S Magnetic Impeller with Ceramic Shaft & Rubber Bushing	A20109	A20109	A20149	A20169
T Impeller Cover	A20113	A20133	A20148	A20148
U Media Basket Handle	A20071	A20072	A20072	A20073
<b>07 Motor Head Maintenance Kit</b> Magnetic Impeller Ceramic Shaft & Rubber Support Impeller Cover Motor Head Gasket	A20094	A20095	A20096	A20097
<b>07 Series Intake / Output Kit</b> AquaStop Valve Intake Stem / Strainer / Hose Connector Output Nozzle Motor Head Gasket Aquarium Rim Connector x 2 Suction Cup 30 mm x 4 Suction Cup with Clip (40 mm)	A20051	A20051	A20052	A20052

### VICENZA, VENEZIA & ROMA AQUARIUMS ONLY

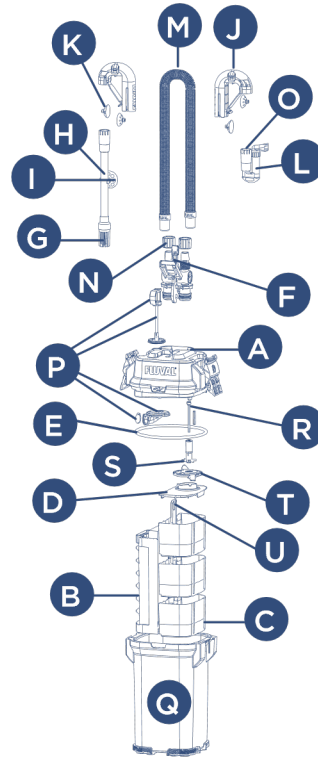
PARTS	FLUVAL 207	FLUVAL 307	FLUVAL 407
V Metal Clamp	A20013	A20013	A20013
Y Ribbed Hosing	A20012	A20012	A20012

See following page for diagrams.

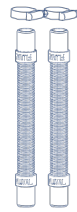
**Fluval 107**



**Fluval 207**



**HOSING SETUP FOR  
VICENZA, VENEZIA  
& ROMA AQUARIUMS**

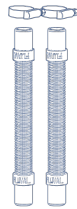


**V**

**Y**

Please refer to  
Easy Connect System  
Installation in the  
Fluval Roma, Vicenza  
or Venezia Aquarium  
Instruction Manual

**HOSING SETUP FOR  
VICENZA, VENEZIA  
& ROMA AQUARIUMS**

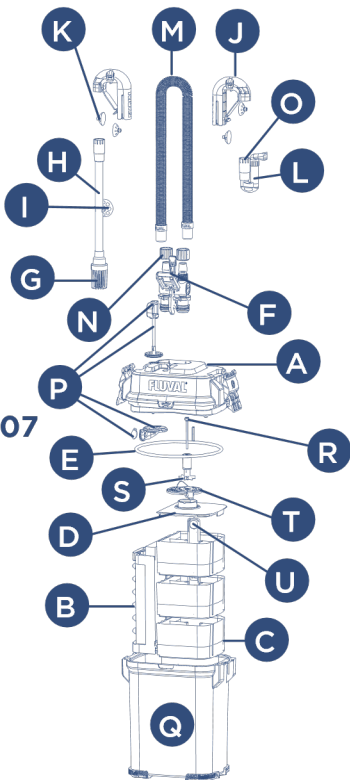


**V**

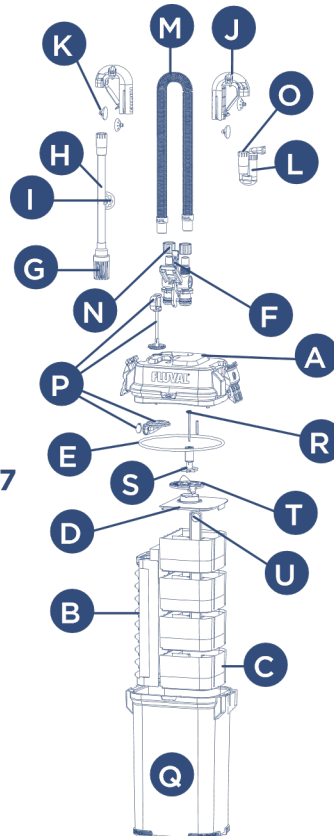
**Y**

Please refer to  
Easy Connect System  
Installation in the  
Fluval Roma, Vicenza  
or Venezia Aquarium  
Instruction Manual

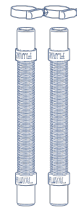
**Fluval 307**



**Fluval 407**



**HOSING SETUP FOR  
VICENZA, VENEZIA  
& ROMA AQUARIUMS**



**V**

**Y**

Please refer to  
Easy Connect System  
Installation in the  
Fluval Roma, Vicenza  
or Venezia Aquarium  
Instruction Manual

See previous page  
for descriptions.