



STANDARD FEATURES

- ◆ Available in a 33" model
- ◆ Compact 14" depth is perfect for small spaces
- ◆ Dedicated top or rear flue configuration
- ◆ Electronic ignition with seamless battery backup provides continued operation in the event of a power outage (IPI/CPI switch standard).
- ◆ Outstanding heating efficiency for increased comfort and lower operating costs
- ◆ Standard tempered glass and a protective screen*
- ◆ Detailed ceramic fiber log set with grate
- ◆ Clean faced heat-circulating design
- ◆ Black painted interior
- ◆ Optional blower and hand-held remote controls available
- ◆ Durable textured powder coat finish
- ◆ Limited lifetime warranty

*All applicable models comply with ANSI Z21.88 barrier requirements.

LINERS



Black Painted Interior (Standard)

CONTROL OPTIONS



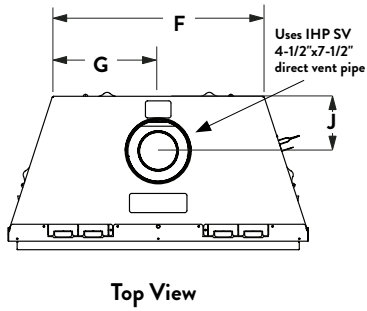
*Thermostatic
Remote
(Optional)*



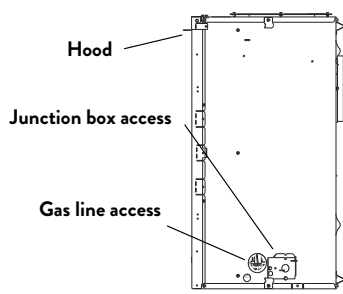
*Hand-Held
On/Off Remote
(Optional)*

APPLIANCE SPECIFICATIONS

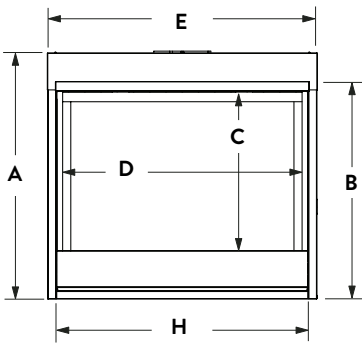
FLAT WALL FRAMING SPECIFICATIONS



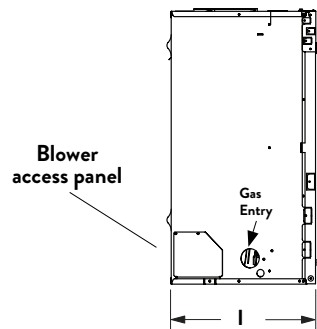
Top View



Right Side View



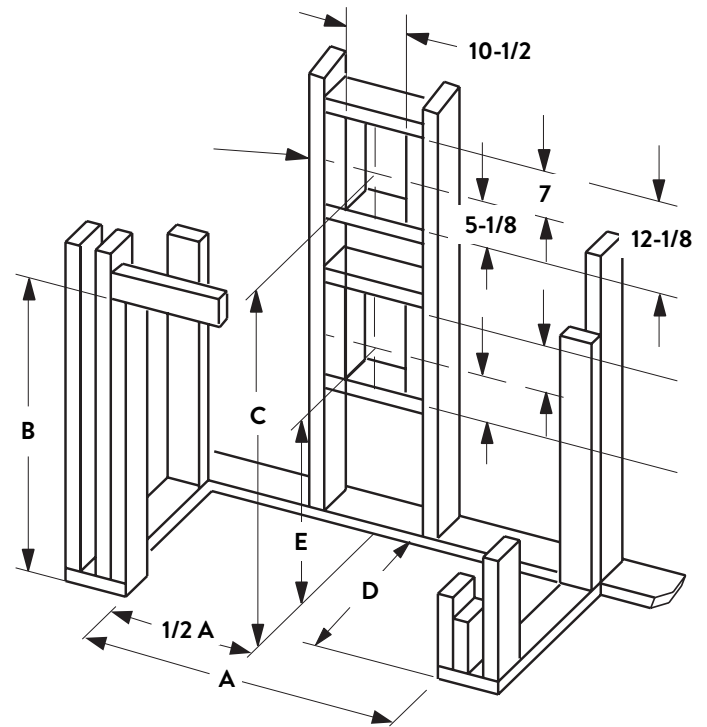
Front View



Left Side View

ARIES 33" MODEL

A	30-1/8"
B	26-1/4"
C	18-5/16"
D	30-1/2"
E	33-5/8"
F	21-7/8"
G	10-15/16"
H	31"
I	14"
J	5-3/4"



ARIES 33" MODEL

A	33-3/4"
B	34-1/4"*
C	36-7/8"
D	14-1/2"
E	19-5/8"

* Includes 4" for fold-up standoffs

FIREPLACE EFFICIENCIES – Listed to ANSI Z21.88 as a gas fireplace heater.

MODEL	FUEL	BTU/HR	AFUE**	P4 / ENERGIDE*
ARIES 33	NG	12,000	64.0%	64.8%
ARIES 33	LP	10,000	64.0%	64.8%

*Intermittent ignition systems.

**Annual Fuel Utilization Efficiency (AFUE) is the recognized U.S. rating system for the total efficiency of heating products.

FRONT COVER

ARIES 33 with Black Painted Interior

astria
FIREPLACES®

© 2020 Innovative Hearth Products

IMPORTANT NOTES:

As with any fireplace, this appliance is extremely hot during operation. Read and understand all operating instructions before using this appliance. For further information, consult your dealer.

Local conditions, such as elevation, wind, vent configuration and choice of fuel will affect overall appearance of the fire and heating performance. Performance can also vary with home design and insulation, climate, condition and type of fuel used, appliance location, burn rate, accessories chosen, chimney installation and how the appliance is operated.

Diagrams, illustrations and photographs are not to scale—consult installation instructions. Product designs, materials, dimensions, specifications, colors and prices are subject to change or discontinuance without notice.

Visit us online
Astria.us.com

PFS®
C US
Report #F13-094

