

Create the space you've dreamed about

with a Lightweight Masonry Fireplace



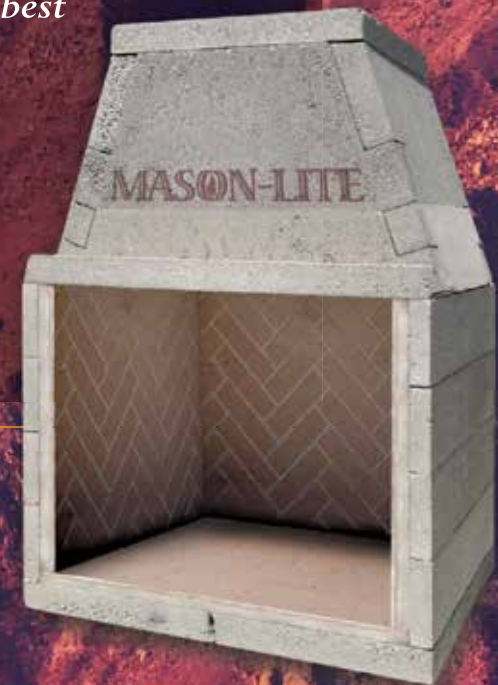
MASON-LITE

by MFI • Masonry Fireplace Industries, Inc

Modular Pre-Cast Fireplace Systems

At Mason-Lite, we use the finest aggregate materials available to build our lightweight modular concrete fireplaces. One of the main ingredients is pumice, a naturally fired volcanic rock with tremendous strength. Its lightweight attributes are second to none, and because of its pre-fired beginnings, pumice retains heat better than any natural aggregate available. The best sources for USA pumice are in the western states, convenient to Mason-Lite's California-based production facilities.

Pumice is formed when gas-rich, frothy magma rapidly cools, creating air pockets that contribute to its remarkable lightweight properties.



Recreating the tradition of the hearth and the elegance & romance of the flame, Mason-Lite captures the essence of the fireplaces masonry artists have been crafting for centuries. And, with a proven history of superior quality, lightweight fireplaces for indoor and outdoor projects, it's no wonder Mason-Lite is one of the industry leaders of modular concrete fireplaces.

Why Mason-Lite?

The benefits are indisputable

- Lightweight construction with multiple sizes available
- Best fit and finish in the industry
- Available for indoor, outdoor, wood burning, natural and propane gas systems
- Approved for multi-story and combustible wood floor installations
- Dynamic thermal efficiencies, with the highest resistance strength at 28 days
- Tested to UL127 safety standards using UL103 chimney components
- Optional herringbone or running bond firebrick panels for easy installation
- Limited lifetime warranty
- Made in USA of all USA sourced materials



With the help of ICC-ES, Mason-Lite developed the structural testing and performance criteria (AC375) that would comply with the International Building Code (IBC), the International Residential Code (IRC) and the International Fuel Gas Code (IFGC). This allows building officials throughout the US to confirm that Mason-Lite fireplaces meet these stringent codes.

26%

STRONGER

Greater strength-to-weight ratio
than the competition

50%

LIGHTER

Less cost for shipping and
installation and more flexibility

100%

USA MADE

Helping support the
U.S. economy

100+

YEARS

Fireplace experience
between three partners

Wood & Gas

Invite warmth into your home

Modular Pre-Cast Fireplace Systems

Since 2005, Mason-Lite has been a premier provider of traditional and contemporary lightweight masonry fireplaces costing up to 50% less than hand-built masonry fireplace alternatives. Architects, designers and homeowners have all experienced the benefits of our fireplaces and understand that Mason-Lite fireplaces can transform a house into a home.

- All fireplaces are for indoor and outdoor applications
 - Wood and gas burning
- Modular kits are available for standard and fully-custom units
- All standard kits include mortar, t-bar for lintel, and re-bar
- Quality fit and finish
- Lightweight design with the strength of 3500 PSI
 - Reduce labor costs
 - Reduce assembly time down to 2 to 3 hours
- Optional firebrick panels available
 - 20 to 30 minute installation
- ANSI Z21 compliant; UL & ULC tested and listed
- Glass door tested and listed
- EPA Phase II qualified-patented PureBurn™



Linear Systems

Modern artistry in fire



Linear Fireplaces

Looking for a contemporary style for your new fireplace? Look no further than Mason-Lite. Mason-Lite provides safe, yet esthetically beautiful, linear fireplaces for your indoor and outdoor living space.

- Choice of flush hearth or burner trough
- Standard sizes are designed to use single or dual 12" B-vent chimney
- BTUs starting at 85,000 to 200,000, depending on fireplace size
- Available with Golden Blount Alpine Burner & Warming Trends Crossfire Burner*
- RADCO compliant (Class A & B-Vent); ANSI Z21 compliant (B-Vent)
- Glass door tested & listed (optional)
- Custom widths, see-throughs and corner configurations available (meet NFPA211 requirements)

*Outdoor only



Golden Blount Alpine Burner

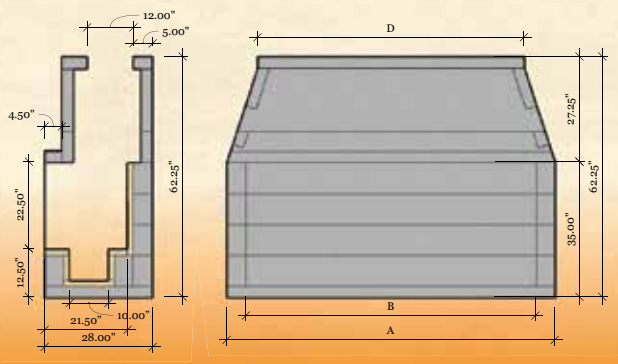


Warming Trends Crossfire Burner

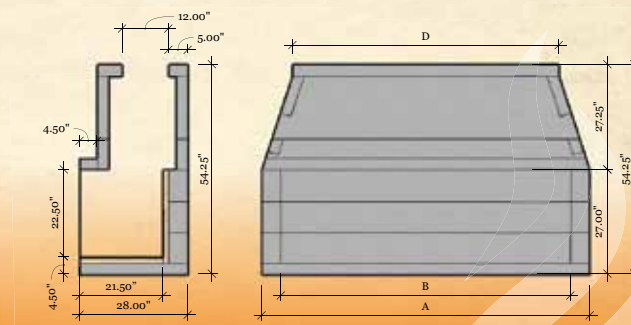


Dimension	A	B	C**	D	Flue
LMFP48	61"	51"	48"	45"	12" Ø
LMFP60	73"	63"	60"	57"	12" Ø
LMFP72	85"	75"	72"	69"	12" Ø
LMFP84	97"	87"	84"	81"	12" Ø
LMFP96	109"	99"	96"	93"	(2) 12" Ø
LMFP108	121"	111"	108"	105"	(2) 12" Ø
LMFP120	133"	123"	120"	117"	(2) 12" Ø

**Finished opening width



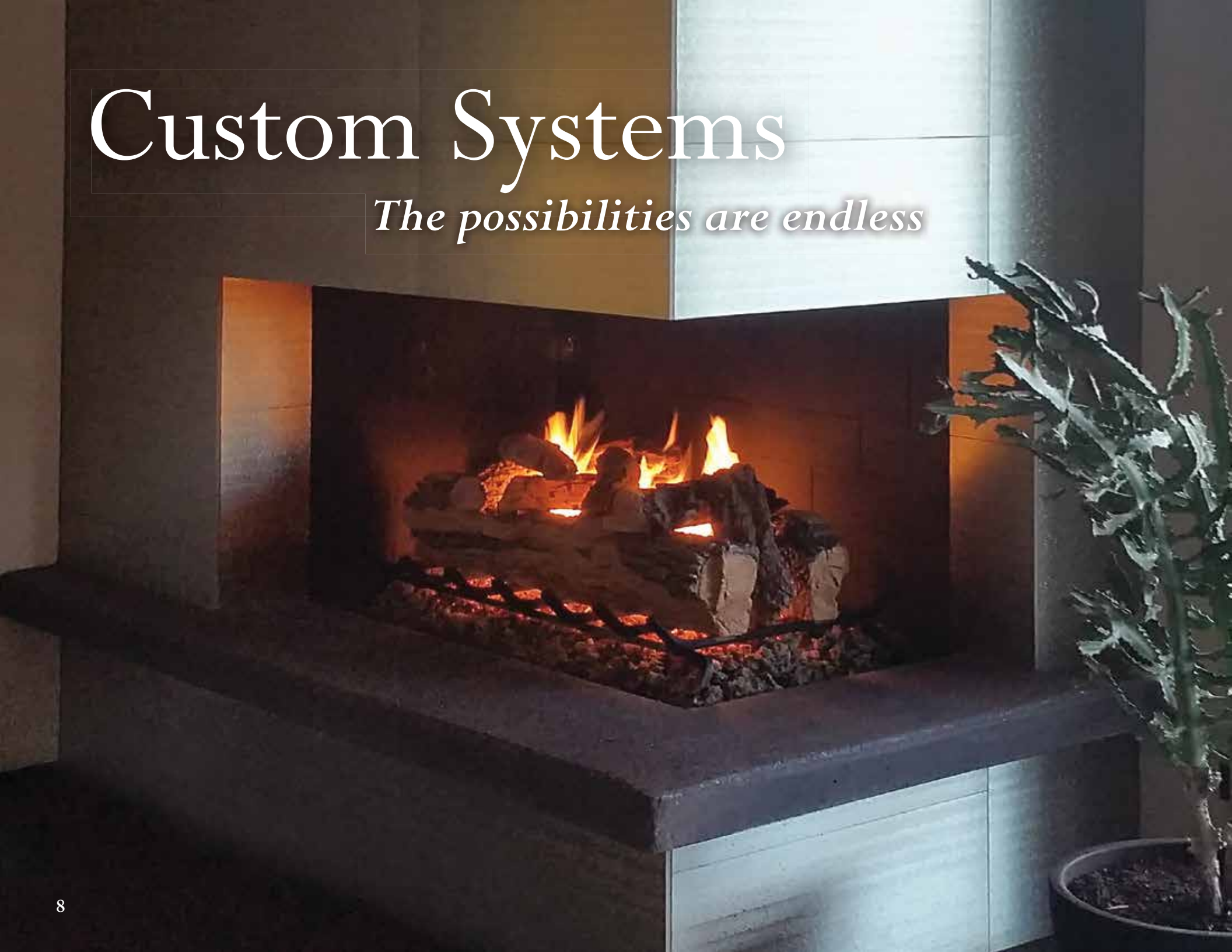
TROUGH LAYOUT



STANDARD LINEAR LAYOUT (NT)

Custom Systems

The possibilities are endless



Custom Fireplace Systems

Turn your fireplace dreams into reality! With Mason-Lite custom fireplaces, the possibilities are endless. We will help you design a safe, yet esthetically beautiful custom fireplace for your indoor or outdoor living space. You provide the opening size, style and application and we will handle the rest. Past projects include fireplaces up to 30 feet wide and some with 6 foot-plus opening heights.

- Fully customizable fireplaces meeting NFPA 211 requirements
- Wood burning, gas burning and vent free options available
- Single-sided, see-through, corner, 3-sided and 4-sided options
- Linear fireplaces available in standardized sizes
- Golden Blount Alpine and Warming Trends Crossfire burners for Linear fireplace line
- Chimney fans available for difficult venting configurations



Vent-Free Systems

Masonry fireplaces add value and elegance to your home. Using a Mason-Lite Vent-Free fireplace also provides warmth and beauty to any room in your home without taking up valuable real estate for a chase and chimney.

- Easy installation
- Convenient, no-mess operation
- Requires zero clearance to combustibles
- More radiant heat
- Clean and environmentally friendly
- Approved with any ANSI Z21.11.2 approved gas log set* and vent-free burners for contemporary media
- Maximum BTU's for indoor application - 40,000; outdoor - 50,000
- Standard sizes: 39", 44", 49"; see through and custom kits also available

Indoor Vent-Free fireplaces are approved across the USA in over 45 states.

** Please check your local jurisdiction restrictions.*

**Vent-Free log sets not included*

Unique Features

- Limited Lifetime Warranty
- Made in USA of all US sourced materials
- Lightweight construction with multiple sizes available
- Best fit and finish in the industry
- Dynamic thermal efficiencies, with the highest resistance strength at 28 days



B-Vent Systems

Light up your living space with a Mason-Lite B-Vent fireplace. Complete with realistic logs, a remote control and safety features, it's the perfect alternative to wood burning. Add our optional firebrick panels to complete your authentic masonry fireplace.

- Clean and environmentally friendly
- Smaller flue for reduced framing
- Requires zero clearance to combustibles
- Safety shutoff feature for fail-safe operation
- High/low flame remote included
- Standard sizes: 39", 44", 49", 43" see-through; custom kits available
- Includes premium quality realistic gas logs designed to replicate the natural beauty of wood



PureBurn™ Systems

With air quality regulations becoming more restrictive, we're pleased to introduce our PureBurn™ clean burning fireplace. The specially designed PureBurn™ burner system uses natural gas or propane to assist the wood-burning process. The result? Your masonry fireplace will burn cleaner than ever before. If your local building codes require an EPA Phase II qualified fireplace, we have the one for you - PureBurn™.

- EPA Phase II qualified
- Dual fuel fireplace system
- Patented design - Patent No.: US D725,258 S
- Electronic ignition offered for safety
- No catalytic converter necessary
- Available for use in MFP33, MFP39, MFP44, MFP49 and MFP63 models



Outdoor Living

A photograph of an outdoor living space. In the foreground, a large stone fireplace with a circular decorative element above the opening is the central focus. The fireplace is built with grey stone blocks and has a fire burning inside. To the left, a wooden pergola structure covers a portion of the deck. Under the pergola, there is a dining table with chairs and a lounge area with a sofa and coffee table. The deck is made of light-colored wood. In the background, there are trees and a brick house. The overall atmosphere is warm and inviting.

*Create the perfect space
with an outdoor fireplace*

Create the outdoor living space of your dreams with Mason-Lite hearth products. Whether it's a fireplace or a pizza oven, our mission is helping homeowners realize their dream of installing true masonry products without the cost and complexity of traditional masonry construction.

Outdoor Fireplace Kits

Mason-Lite lightweight outdoor fireplace kits help you realize your dream of having an outdoor fireplace without major building infrastructure reinforcement.

- Standard fireplace sizes from 33" to 63", 43" see-through
- Custom sizes and shapes available
- Complete patio kits available
- Superior fit and finish
- Easy installation

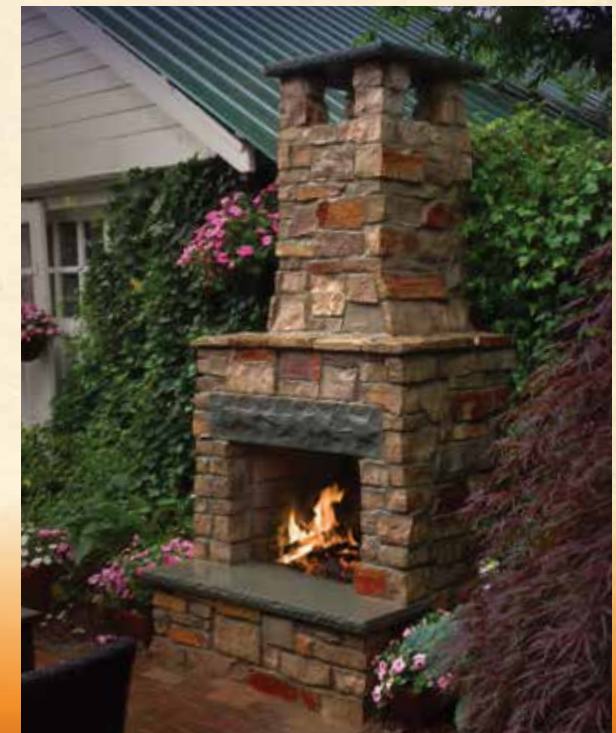


Wood Fired Pizza Oven

Wood Fired Pizza Oven

The perfect addition to your own outdoor kitchen, the Mason-Lite Pizza Oven is easy to install and use. You'll be cooking your own amazing pizzas from the privacy of your backyard in no time!

- Wood burning only
- Available in two easy to install sizes - 18" and 24" openings
- Firebrick base and panels included
- Optional wood storage and powder-coated steel door available



Mason-Lite FireBrick Panels

No skilled mason available? No need for labor intensive hand-laid inner firebrick. With Mason-Lite's optional true firebrick panels, make installation a breeze while still assuring an authentic looking masonry fireplace.

- 20 minute installation
- Available for MFP33 through MFP63
- Available in extended panels for added height kit in MFP33 through MFP63
- Three patterns- running bond, split running bond, split herringbone*
- Two color options- standard buff and red
- Custom panels available in limited sizes



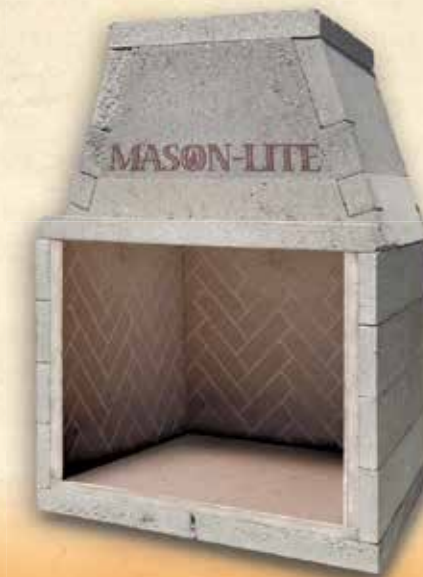
Running Bond



Split Running Bond



*Split Herringbone**



**Due to angled sides, herringbone brick panels do not line up perfectly at back corners (see photo above).*

Shrouds

Mason Lite's Decorative steel and copper chimney pots offer an alternative to unsightly factory flue caps and terminations, improving the aesthetics of chimney tops.

- Offers additional protection from the elements
- Designed to replace all-flue factory flue caps
- Works in conjunction with gas and direct-vent flue caps
- Made of Kynar steel or solid 16 oz. copper
- Available in Natural Copper, Matte Black, Dark Bronze and Storm Grey
- Available in 4 designs - Arlington, Sussex, Charleston and Dover



Sussex



Arlington



Charleston



Dover



Architectural Clay *by MFI*

Traditional hand-made Clay Chimney Pots dramatically complete Mason-Lite fireplace installations by creating a stunning architectural statement. Clay pots are manufactured from materials that will not fade or deteriorate and will remain for generations to come.

- Handmade using traditional methods
- Matching clay rainguards (round and octagonal) available
- Rainguard support bases available in copper or stainless steel
- 14 designs and sizes in 6 colors and finishes



Specifications



WOOD & GAS BURNING	MFP33	MFP39	MFP44	MFP49	MFP63	MFPST43
Finished Opening Width	30"	36"	41"	46"	60"	40"
Finished Opening Height	22.5"	30.5"	30.5"	30.5"	30.5"	30.5"
Finished Opening Depth	21.5"	21.5"	21.5"	21.5"	21.5"	28"
Total Unit Height	54.5"	62.25"	62.25"	62.25"	70.25"	62.25"
Footprint	37" X 28"	43" x 28"	48" X 28"	53" X 28"	67" X 28"	53" X 28"
Weight	1091 Lbs.	1371 Lbs.	1529 Lbs.	1635 Lbs.	2055 Lbs.	1423 Lbs.
Flue Diameter- Class A	12" ID	12" ID	12" ID	14" ID	16" ID	16" ID
Clearance to Combustibles* (<i>Sides and Back</i>)	2"	2"	2"	2"	2"	2"

*Check instruction manual for more clearance information

Easy Installation No mess installation means lower costs and faster completion time.

Note: MFP75 available



1. Installing base and first course



2. Starting the smoke chamber



3. Easy to build smoke dome



4. Finishing with the dome top



5. Finished Mason-Lite in under 2 hours



B VENT	MGFP39	MGFP44	MGFP49	MGFPST43
Finished Opening Width	36"	41"	46"	40"
Finished Opening Height	30.5"	30.5"	30.5"	30.5"
Finished Opening Depth	21.5"	21.5"	21.5"	28"
Total Unit Height	62.25"	62.25"	62.25"	62.25"
Footprint	43" x 28"	48" X 28"	53" X 28"	53" X 28"
Included Burner Width	24"	24"	30"	30"
Included Burner BTU's (Natural Gas)	65,000	65,000	75,000	80,000
Included Burner BTU's (Propane)	50,000	50,000	60,000	80,000
Weight with Burner	1668 Lbs.	1826 Lbs.	1987 Lbs.	1726 Lbs.
Flue Diameter- B-Vent	10" ID	10" ID	10" ID	12" ID
Clearance to Combustibles	0"	0"	0"	0"



VENT FREE	MFP39VF	MFP44VF	MFP49VF	MFPST43VF
Finished Opening Width	36"	41"	46"	40"
Finished Opening Height	30.5"	30.5"	30.5"	30.5"
Finished Opening Depth	21.5"	21.5"	21.5"	28"
Total Unit Height	46.75"	46.75"	46.75"	46.75"
Footprint	43" x 28"	48" X 28"	53" X 28"	53" X 28"
Weight	1268 Lbs.	1426 Lbs.	1537 Lbs.	1306 Lbs.
Clearance to Combustibles	0"	0"	0"	0"

Accessories

To complete your indoor or outdoor installation, Mason-Lite offers a comprehensive line of optional accessories. From masonry accessories to our metal chimney to brick panels, we've got you covered.

Masonry Chimney

The masonry chimney is comprised of two pieces, 8" in height: an inner and outer liner that must be used together. We offer individual sections as well as 4', 8' and 16' kits.



Masonry Chimney Offset

Four inches in height, offsets can be used in installations where the chimney is not completely vertical. Support is required for every 5th offset.



Masonry Brick Ledges, Crown & Cap

The brick ledges are designed to hold brick and stone facing for the chimney above the roof line. The cap & crown are used as a weather guard and finishing touch.



Mason-Lite Rumford Height Kit

A Rumford look is still a popular choice for those who prefer a taller opening than wide. Consisting of a rear wall and 2 side walls, the height kit increases the opening by 8". When using this option, appropriate chimney size must be evaluated by a professional.



Customizable Masonry Arch Kit

The masonry arch kit consists of 2 pieces that can easily be mortared in to give a custom look.



Dampers

Dampers are required for indoor applications. Mason-Lite offers several damper options: metal anchor plate/damper for masonry chimney; cast iron damper (damper blocks included); anchor plate/damper for metal chimney.



True Firebrick Panels

Mason-Lite offers true firebrick panels for quick and easy installation. Available in three patterns and two colors.



Metal Base

Our 6" and 8" bases are used for installations on combustible floors or second story applications.



Outside Air Kit

Because homes are being built so tight, many jurisdictions are requiring additional outside air to make up for negative air pressure. For convenience, the kit comes pre-drilled for this application.



Energex Exhausto Fan

Also designed to help with negative air pressure, exhaustos are used for the more challenging drafting issues such as see-throughs and short chimneys.



Air-Cooled and Packed Chimney

Mason-Lite is approved with any UL 103 listed metal chimney. For your convenience, we have partnered with DuraVent- available in DuraChimney II and DuraTech.



MFI Hi-Temp Mortar

Our exclusive high-temp mortar is included with every Mason-Lite fireplace kit and chimney kit. Also sold separately.



Gas Logs

All our fireplace kits are approved for gas logs. We have partnered with R.H. Peterson for our B-Vent fireplaces. All B-Vent fireplaces come complete with realistic logs, a remote control and safety features.



Crushed Glass and other Contemporary Media

Available in several colors and varieties, our beautiful glass and other media is a great alternative to gas logs.



Linear Burners

In the continued spirit of partnership, we offer the Golden Blount Alpine Burner and Warming Trends Crossfire for a contemporary alternative to gas logs or burning wood. Spark-to-Pilot Valve.



To complete your project, Mason-Lite can assist you with after-market products including glass doors, screens and other fireplace accessories.

Have questions? We've got answers!

Do these fireplaces meet current safety codes?

Yes, it has been tested to Underwriters Laboratories, UL 127 Standard for safety. The fireplace is listed by PFS testing agency, ICC, (International Code Council) and quality control standards are used in manufacturing.

Can I install the fireplace on a wood floor*?

Yes: please use the required metal base under unit sold by Mason-Lite or use structural concrete block.

*Consult a structural engineer for all wood floor installations.

Do I have to install the outside air kit on the fireplace?

Your local building code will determine if this is required in your area. The fireplace will work without the outside air kit, although it is more efficient to use outside air for combustion.

Do I need firebrick inside the firebox?

Yes: Mason-Lite can supply firebrick panels for easy installation or a mason can lay firebrick inside the firebox.

What type of chimney do I use on this fireplace?

The fireplace has been tested with both a masonry chimney, manufactured by Mason-Lite, or a UL 103-listed metal chimney. The different models can use different diameter metal chimney that will fit almost all installation needs. The minimum indoor installation height is 14 feet, given that the chimney is straight. If the chimney has an offset, the minimum installation height is 17 feet.

Please visit us online for more information -

- ***See more question & answers***
- ***Obtain our Installation & Warranty information***
- ***See more installation photos***
- ***Find a partner in your area***

MASON-LITE