

EMPIRE WOOD STOVES

Gateway Series



EMPIRE
STOVE

Effortless Heat

Empire Stove products are the simplest to use, thanks to the one-lever air control. This allows for effortless control of your fire from a roaring blaze to a slow burn. The no mess ash pan collects debris from the fire and allows you to easily remove it. Your glass window will stay clean with the integrated air wash system which uses hot air to clear debris from the glass.



KEY FEATURES



AIR WASH SYSTEM

Hot air circulates through the stove and keeps dirt and debris from building up on the glass, maintaining clear view of the fire.



DOOR LATCH

The heavy duty door latch ensures your door seals tight every time for an efficient burn



NO MESS ASH PAN

The easy to remove ash pan includes a cover to keep dirt and debris contained, allowing easy, mess-free disposal.



SIMPLE CONTROL

Easy to use one-lever control adjusts the burn rate to optimize burn times



Built to Last

Constructed with thick, 5/16-inch steel, Empire Stove products are built to last. Firebricks line the inside of the firebox for heat insulation and durability. The high heat ceramic baffle ensures optimal performance no matter how high the temperature rises. Our limited lifetime warranty provides protection, giving you peace of mind for years to come.

KEY FEATURES



DURABLE STEEL

5/16" thick steel top allows for extended heat radiation and adds lasting durability



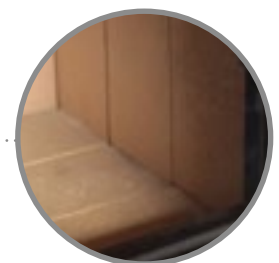
HIGH HEAT BAFFLE

The high heat ceramic baffle is made of high quality ceramic that won't deteriorate



CERAMIC GLASS

High temperature ceramic glass stands up to the changing temperatures inside the firebox



FIREBRICK LINED

High-density firebricks line the interior of the firebox, allowing for closer clearances and more heat distribution into the room



GATEWAY 1700

Meets EPA 2020 Standard.



Heating Area: 500 to 1,800 ft²



Fire Box: 1.9 ft³



Burn Time: 6 hours



Height: 29 1/2"



Max Heat Output: 65,000 BTU/h



Width: 24 1/8"



Max Log Length: 18"



Depth: 18 3/4"

The **Gateway 1700** is ideal for small to medium homes or rooms. The standard no mess ash pan, simple one-lever control, and air wash system allow for easy operation and maintenance. Several style options are available to ensure the Gateway 1700 complements any room.



GATEWAY 2300

Meets EPA 2020 Standard.

The beautifully crafted **Gateway 2300** wood stove complements larger homes or rooms. The standard no mess ash pan, simple one-lever control, and air wash system allow for easy operation and maintenance. Several style options are available to ensure the Gateway 2300 complements any room.



Heating Area: 500 to 2,100 ft²



Fire Box: 2.4 ft³



Burn Time: 8 hours



Height: 32 1/4"



Max Heat Output: 75,000 BTU/h



Width: 26 1/4"



Max Log Length: 20"



Depth: 20 7/8"



GATEWAY 3500

Meets EPA 2020 Standard.



Heating Area: 1,000 to 2,700 ft²



Fire Box: 3.5 ft³



Burn Time: 10 hours



Height: 34"



Max Heat Output: 110,000 BTU/h



Width: 28 1/8"



Max Log Length: 22"



Depth: 24 5/8"

The **Gateway 3500** is perfect for spacious homes or rooms. The standard no mess ash pan, simple one-lever control, and air wash system allow for easy operation and maintenance. Several style options are available to ensure the Gateway 3500 complements any room.

Options and Accessories

DOOR OPTIONS



BLACK TRIM



NICKEL TRIM

BASE OPTIONS



BLACK STRAIGHT



NICKEL STRAIGHT



BLACK QUEEN ANNE



NICKEL QUEEN ANNE



BLACK PEDESTAL

ACCESSORIES



STEP TOP



FIRE SCREEN



BLOWER



FRESH AIR KIT

Specifications and Dimensions

GATEWAY 1700

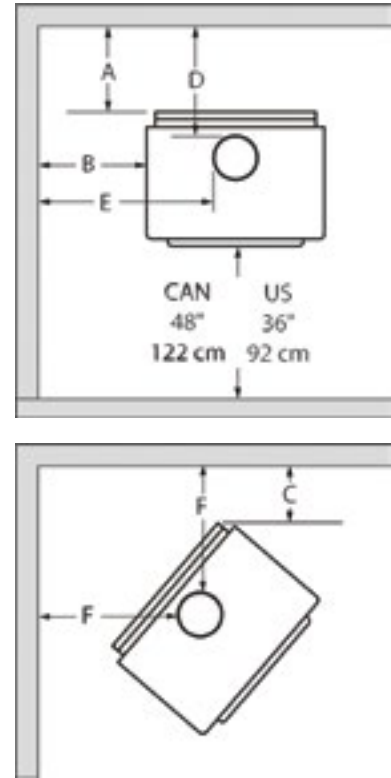
	A	B	C	D	E	F
US	9"	12"	12"	12 1/2"	21"	20 3/4"
Canada	9"	12"	12"	12 1/2"	21"	20 3/4"

GATEWAY 2300

	A	B	C	D	E	F
US	7"	16"	7"	10 1/4"	25 1/4"	16 1/2"
Canada	7"	17"	7"	10 1/4"	26 1/4"	16 1/2"

GATEWAY 3500

	A	B	C	D	E	F
US	7"	14"	7"	11 3/4"	24 7/8"	17 3/4"
Canada	7"	14"	7"	11 3/4"	24 7/8"	17 3/4"



WARRANTY

LIMITED LIFETIME: Combustion chamber (welds only) and cast iron door frame, Ceramic Glass, Plating (manufacture defect), step top. **LIMITED 7 YEAR:** Surrounds, heat shields, ash drawer, pedestal, C-Cast Baffle, secondary air tubes, deflectors and supports. **LIMITED 5 YEAR:** Handle assembly, glass retainers, air control mechanism, removable carbon steel combustion chamber components. **LIMITED 2 YEAR:** Standard and optional blower, heat sensors, switches, rheostat, wiring and electronics. **LIMITED 1 YEAR:** Paint peeling, gaskets, insulation, ceramic fiber blankets, firebricks and other options. **LIMITED 90 DAY:** All parts replaced under warranty.

Empire is committed to continuous product improvement; specifications are subject to change without notice. Dimensions in this brochure are approximate; read and follow the clearances listed in the owners manual supplied with your Empire product. Flame size, shape, and color will vary from photos.

