

BOTTOM SURROUND COVER KITS

INSTALLATION INSTRUCTIONS

MODELS: C2(03,06,63,66,86,83)(BL,BZ)-1 AND C20(3,6)DB(L,Z)-1

FOR USE WITH DVC(20,26,28)IN DIRECT VENT FIREPLACE INSERTS

INSTRUCTIONS MUST BE LEFT WITH THE OWNER FOR FUTURE REFERENCE AFTER INSTALLATION

Before You Begin

The optional Bottom Surround Cover is intended for use with a fireplace insert and Surround panel kit installed into an elevated fireplace opening above the hearth extension level.

Note: Prior to installation of the Bottom Surround Cover, measure the distance from the top of the hearth extension to the bottom of the fireplace insert. This distance must be at least 1-5/16" to allow enough space for the bottom cover installation.

Assembly of Bottom Surround Cover Panels

1. Unpack the Bottom Surround Cover and Hardware.
2. Locate the three 10-24 x 3/8 Hex Head Screws.
3. Remove the barrier screen assembly and set aside.
4. Align the Bottom Surround Cover to the bottom of the insert and install the three 10-24 x 3/8 Hex Head Screws through the insert bottom and into the bottom cover as shown in **Figure 1**.
5. The blower cord should be routed to the right side of the insert. A knockout is provided in the right side of the surround panel to allow the power cord to exit the insert. See **Figure 2**.

CAUTION: DO NOT ALLOW THE POWER CORD TO BE CUT OR PINCHED BETWEEN PARTS WHEN ASSEMBLING

6. Use a ratchet with 5/16 socket to tighten the three screws and secure the Bottom Surround Cover.
7. Check alignment of the Surround panels and adjust as necessary.
8. **Figure 2** shows the Bottom Surround Cover in the installed position.
9. Reinstall the logset, glass door and barrier screen.

WARNING: WHEN FINISHING THE FIREPLACE INSERT, NEVER OBSTRUCT OR MODIFY THE LOUVERS ON THE FIREPLACE INSERT IN ANY MANNER.

NOTE: Surround panel kits have been tested and approved to cover existing air circulation vents or grills.

WARNING: Only the surround as supplied may be used to cover integral grills on the solid fuel-burning fireplace. No other components such as shrouds, sheet metal plates, etc. may be used to seal off vents.

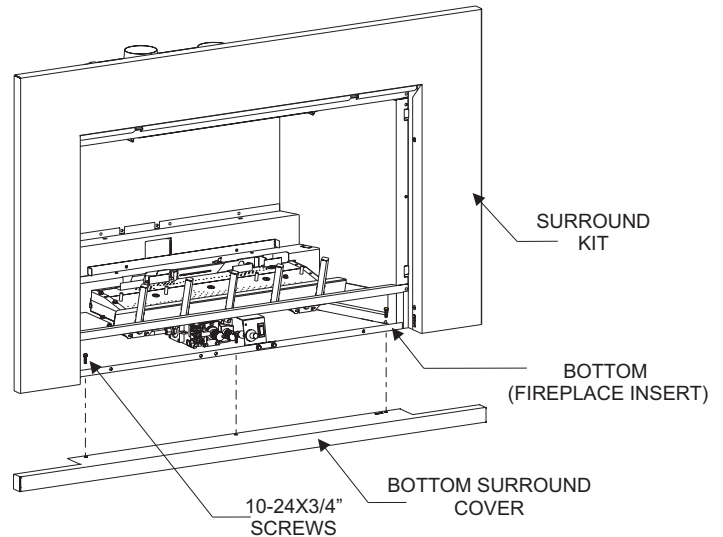


Figure 1

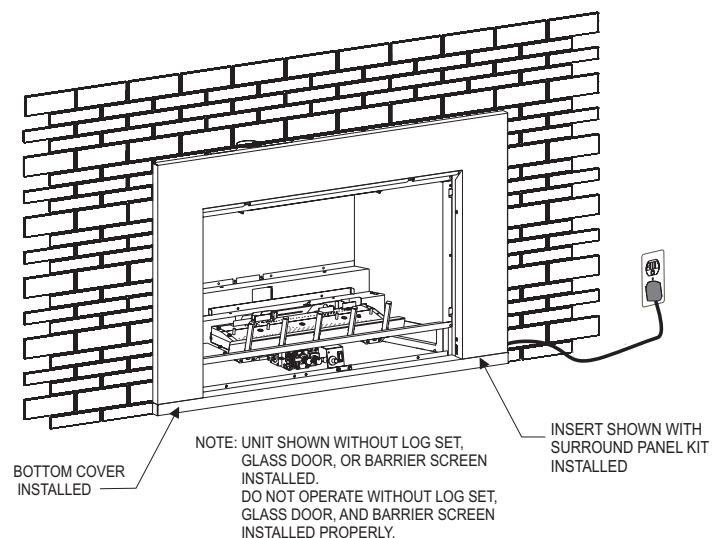


Figure 2