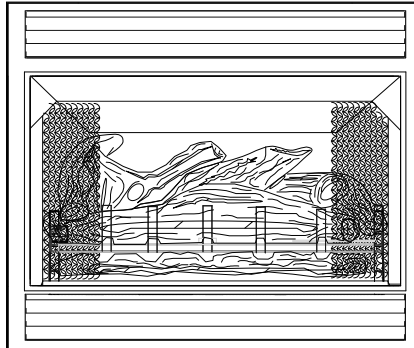


MODEL 42

MAY BE INSTALLED AS A ZERO CLEARANCE FIREPLACE OR WITH AN OPTIONAL WOODEN SURROUND



VENT-FREE



WARNING: If the information in this manual is not followed exactly, a fire or explosion may result causing property damage, personal injury or loss of life.

- Do not store or use gasoline or other flammable vapors and liquids in the vicinity of this or any other appliance.

WHAT TO DO IF YOU SMELL GAS

- Do not try to light any appliance.
- Do not touch any electrical switch; do not use any phone in your building.
- Immediately call your gas supplier from a neighbor's phone. Follow the gas supplier's instructions.
- If you cannot reach your gas supplier, call the fire department.
- Installation and service must be performed by a qualified installer, service agency or the gas supplier.

This is an unvented gas-fired heater. It uses air (oxygen) from the room in which it is installed. Provisions for adequate combustion and ventilation air must be provided. Refer to section "Producing Adequate Ventilation" page 13.

This appliance may be installed in an aftermarket, permanently located, manufactured (mobile) home, where not prohibited by local codes.

This appliance is only for use with the type of gas indicated on the rating plate. This appliance is not convertible for use with other gases.

INSTALLER: Leave this manual with the appliance.

CONSUMER: Retain this manual for future reference.

Manufacturer: NEW BUCK CORPORATION
P.O. Box 69
200 Ethan Allen Drive
Spruce Pine, NC 28777

This appliance is intended for supplemental heating.

Revised 05 / 2008

TABLE OF CONTENTS

Safety Information and Warnings	3
Installation (ZC) or (WS)	6
Fireplace and Framing Dimensions (ZC).....	7
Fireplace Clearances(ZC).....	8
Finishing Your Fireplace(ZC).....	9
Mantel Profiles For Zero Clearance(ZC)	10
Optional Wooden Surround (WS).....	11
Producing Adequate Ventilation	13
Ventilation Air Indoors	15
Ventilation Air Outdoors.....	16
Gas Connection	17
Gas Pressure Check.....	18
Placement of Logs DX 2733 Logs.....	18-19
Placement of Logs E.S.B. Logs.....	20
Placement of Logs CR3329 Logs.....	21
Lighting Instructions - Millivolt (ITT).....	22
Lighting Instructions - Modulating (SIT) or –Manual (SIT).....	26
Lighting Instructions - Millivolt (SIT).....	30
Flame Check.....	34
Wiring Diagram	35-36
Important Safeguards	37
Trouble Shooting.....	38-40
Service/Replacement Parts.....	42-50
Warranty/Owner Registration	51

SECTION I

SAFETY INFORMATION WARNINGS

IMPORTANT: READ THIS OWNER'S MANUAL CAREFULLY AND COMPLETELY BEFORE TRYING TO ASSEMBLE, OPERATE, OR SERVICE THE APPLIANCE. IMPROPER USE OF THESE LOGS CAN CAUSE SERIOUS INJURY OR DEATH FROM BURNS, FIRE, EXPLOSION, AND CARBON MONOXIDE POISONING.

Early signs of carbon monoxide poisoning resemble the flu, with headaches, dizziness, and/or nausea. If you have these signs, the heater may not be working properly. Get fresh air at once! Have heater serviced.

Some people-pregnant women, persons with heart or lung disease, anemia, those under the influence of alcohol, and those at high altitudes-are more affected by carbon monoxide than others.

CAUTION: Strong drafts, such as a ceiling fan placed directly in front of the heater (pulling from either direction) may create sooting. Sooting will discolor walls.

1. The installation must conform with local codes ,or in the absence of local codes, with the *National Fuel Gas Code, ANSI Z223.1/NFPA54.*
2. **This appliance may be installed in an After-Market* Manufactured (Mobile) Home, where not prohibited by state or local codes.**

* (After-Market: Completion of sale, not for purpose of resale from the manufacturer.)

This appliance is only for use with the type of gas indicated on the rating plate. This appliance is not convertible for use with other gases.

NOTE: See Section VII, "Producing Adequate Ventilation" page 13.

IMPORTANT: VENT-FREE HEATERS ADD MOISTURE TO THE AIR. ALTHOUGH THIS IS BENEFICIAL, INSTALLING HEATER IN ROOMS WITHOUT ADEQUATE VENTILATION MAY CAUSE MILDEW TO FORM FROM TOO MUCH MOISTURE.

3. Never install this heater:
 - ◆ in a recreational vehicle, bathroom, bedroom, or any other sleeping quarters
 - ◆ where curtains, furniture, clothing, or other flammable objects are less than 42" from the front of the heater
 - ◆ in high traffic areas or in windy areas
4. Two models are available. One specific model for propane (LP), and one for natural gas. Use the correct type gas for your home. Do not convert from one gas type to another.

"WARNING: ANY CHANGE TO THIS HEATER OR ITS CONTROLS CAN BE DANGEROUS."

5. If this heater is used with propane gas, do not place propane supply tank (s) inside any structure.
6. **What To Do IF You Smell Gas:**
Shut off gas supply.
 - Do not try to light any appliance.
 - Do not touch any electrical switch; do not use any phone in your building.
 - Immediately call your gas supplier from a neighbor's phone.
Follow the gas supplier's instructions.
 - If you cannot reach your gas supplier, call the fire department.
7. When operated for the first time, the logs may emit a "paper burning" smell. This smell will gradually diminish and will be totally eliminated after the first few hours of operation. Run the gas logs with the flue damper open during this time. Do not use blower at this time.
8. **"This heater shall not be installed in a confined space or unusually tight construction unless provisions are provided for adequate combustion and ventilation air."** See *"Producing Adequate Ventilation"*, page 11.
9. Surface of gas logs becomes very hot when operating. Keep children and adults away from hot surface. Gas logs will remain hot for sometime after shutdown. Allow surface to cool before touching.
10. **Do not place clothing or other flammable material on or near the appliance.**
11. If equipped, fresh air damper must be closed.
12. **Keep appliance area clean and free from combustible materials, gasoline, and other flammable flammable vapors and liquids.**
13. If burner shuts off, do not relight until you provide fresh outside air. If burner continues to shut off, have unit serviced.
14. **Do not use this heater if any part has been under water. Immediately call qualified service technician to inspect the room heater and to replace any part of the control system and any gas control which has been under water.**
15. Turn off the heater and let cool before servicing.
16. These logs are made of bonded fiber. When removing logs and base, do not damage the bonded material. If the material is damaged extensively, loose fiber dust could be emitted into the air.
17. **Any safety screen or guard removed for servicing an appliance must be replaced prior to operating the heater.**
18. **This appliance is intended for supplemental heating.**
19. **"WARNING: Any change to this heater or its controls can be dangerous."**
20. **Installation and repairs should be performed by a qualified service person. The appliance should be inspected before use and at least annually by a professional service person. More frequent cleaning may be required due to excessive lint from carpeting, bedding material, etc. It is imperative that control compartments, burners and circulating air passageways of the appliance be kept clean.**

21. All heater screens must be kept closed when operating the gas logs.
22. **"WARNING: Failure to keep the primary air opening(s) of the burner(s) clean may result in sooting and property damage."**
23. Do not use this heater for burning trash or cooking. Never place matches, paper, garbage, or any other material on top of logs or into the flames.
24. **Do not install or operate this heater in areas where impurities in the air exist (such as tobacco smoke or heavy cooking grease). Particles from impurities may discolor walls.**
25. **Due to high temperatures, the appliance should be located out of traffic and away from furniture and draperies.**
26. **Children and adults should be alerted to the hazards of high surface temperature and should stay away to avoid burns or clothing ignition.**
27. **Young children should be carefully supervised when they are in the same room with the appliance.**
28. **An unvented room heater having an input rating of more than 10,000 Btu per hour shall not be installed in a bedroom or bathroom.**
29. **The appliance and its appliance main gas valve must be disconnected from the gas supply piping system during any pressure testing of that system at test pressure in excess of 1/2 psi (3.5 kPa).**
30. **The appliance must be isolated from the gas supply piping system by closing its equipment shut-off valve during any pressure testing of the gas supply piping system at test pressures equal to or less than 1/2 psi (3.5 kPa).**
31. **"WARNING: Do not allow fans to blow directly into fireplace. Avoid any drafts that alter burner flame patterns."**
32. **"WARNING: Do not use a blower insert, heat exchanger insert or other accessory not approved for use with this heater."**
33. **Adequate clearances around air openings. Nothing may be placed over any of the air openings on this appliance, or can any of the air openings be modified in anyway.**

INSTALLATION FOR MODEL 42 (ZC or WS)

Your New Buck Vent-Free Gas Fireplace Heater may be installed in Residential or *After-Market Manufactured Mobile Homes. This appliance may be installed in an *After Market Manufactured Mobile Home, **where not prohibited by state or local codes.**

*(Exception: This appliance may **not** be installed in a bedroom or **bathroom.**)*

* (After Market: Completion of sale, not for the purpose of resale from the manufacturer).

This appliance is only for use with the type of gas indicated on the rating plate. This appliance is not convertible for use with other gases.

NOTE: See page 13 for “Producing Adequate Ventilation”.

CHOOSING THE LOCATION FOR YOUR FIREPLACE: (ZC or WS)

Figure 1 shows some of the many ways your fireplace may be installed. Consider the traffic pattern in your room and the location of doors and windows. Moving air from ceiling fans, open doors, and hot air grills may cause the flames to soot. If a disturbance is found that affects the flames, it must be eliminated by turning off the ceiling fan, closing the door, or closing the hot air register. A corner location may be best where space is limited.

Your fireplace weighs no more than some of your fine furniture. If the fireplace is located near a load bearing wall, additional supports to the foundation will not be necessary. **HEAVY FACINGS, SUCH AS BRICK, STONE, ETC., MAY REQUIRE ADDITIONAL FOUNDATION SUPPORT.**

NOTE: If this appliance is installed directly on carpeting, tile or other combustible material, other than wood flooring, the appliance shall be installed on a metal or wood panel extending the full width and depth of the appliance.

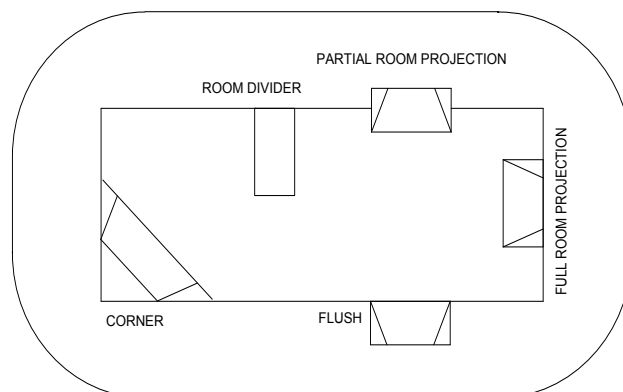
GAS LINES

The gas supply line and electrical supply must be installed before framing in the fireplace by a licensed installer.

DRAFTS

Do not locate the fireplace in high traffic areas or areas exposed to high drafts and winds. Locate the fireplace away from furniture and draperies.

Figure 1



Fireplace and Framing Dimensions For Model 42 (ZC) Zero Clearance Installation

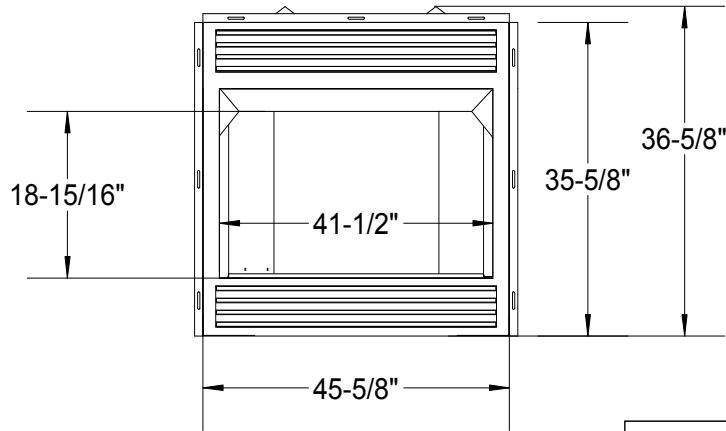
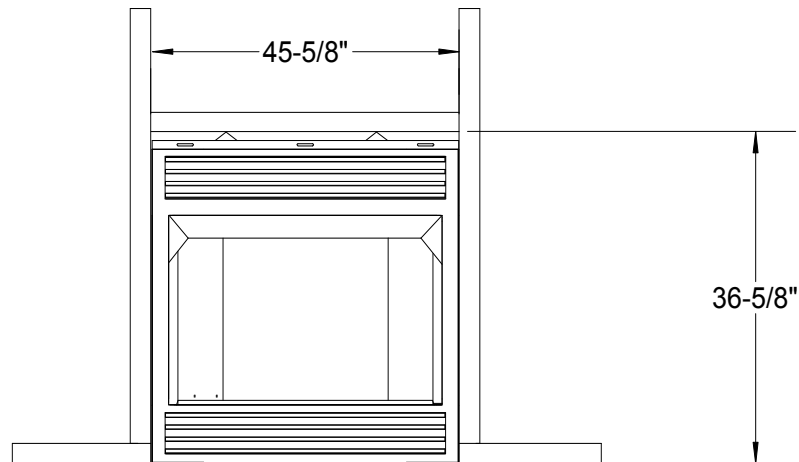
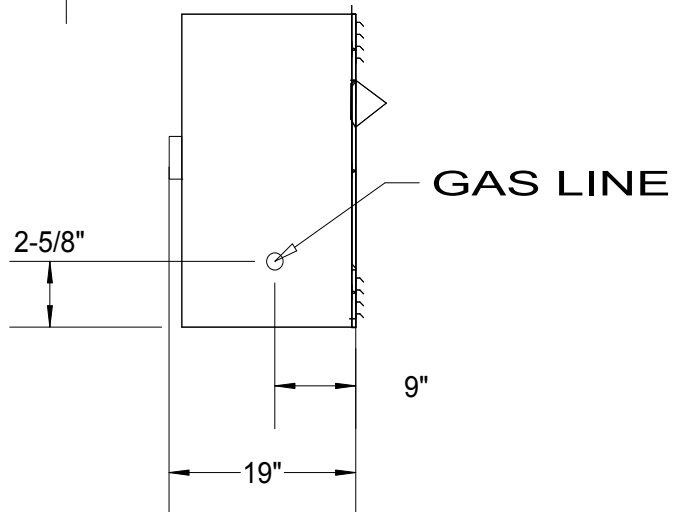


Figure 2



WARNING: Installation and repairs should be performed by a qualified service person. The appliance should be inspected before use and at least annually by a professional service person. More frequent cleaning may be required due to excessive lint from carpeting, bedding material, etc. It is imperative that control compartments, burners and circulating air passageways of the appliance be kept clean.

FIREPLACE CLEARANCES (ZC)

The fireplace may be placed directly on a combustible floor, against a combustible wall at marked clearances, or on a raised wooden platform.

If the fireplace is to be installed on a raised wooden platform, the platform must be a continuous level surface. The fireplace must be secured in place so it cannot shift positions. The nailing flanges on the sides of the firebox make securing it to the framing easy. They were designed to allow the installation of 1/2" wallboard or plywood flush with the face of the fireplace.

Only the header (see Figure 2) may rest on the standoffs on top of the firebox.

When the firebox is installed over carpeting, vinyl tile, or

any combustible material other than wood flooring, it must be installed on a metal or wood panel extending its full width and depth. Alternatively, the carpeting, vinyl tile, etc. may be removed beneath the fireplace before installing. COMBUSTIBLE MATERIALS MUST NOT BE INSTALLED OVER OR TOUCH ANY BLACK PAINTED SURFACE. DO NOT BLOCK HEAT CIRCULATING AIR OUTLETS. DOING SO MAY RESULT IN POTENTIAL FIRE HAZARDS.

1. **Sidewall Clearances:** Clearances from the side of the fireplace opening to any adjacent combustible wall should not be less than 7" right side and 7" left side, facing the front of the appliance.

2. **Ceiling Clearances:** The ceiling height should not be less than 42" from the top of the fireplace opening.

INSTALLING THE FIREBOX (ZC)

This list of specific instructions will help you make certain that every installation operation is performed correctly. Complete the installation steps in the sequence shown.

LOCAL BUILDING CODES SHOULD BE CONSULTED IN ALL CASES AS TO THE PARTICULAR REQUIREMENTS CONCERNING THE INSTALLATION OF FACTORY BUILT FIREPLACES. Select the location for the fireplace by taking into consideration the factors previously outlined in the section called "Choosing the Location." See page 6.

Framing the Firebox

The width of the framed opening must be 45 5/8". The height of the framed opening must be 35 11/16". The entire fireplace can be elevated above the floor to achieve a raised hearth effect. This can be done by adding a small platform to achieve the desired height.

NOTE: The wiring for the lower blower must be installed during the framing stage. The nailing flanges on both sides were designed to allow the installation of 1/2" wallboard or plywood flush with the face of the fireplace.

When the framing is inside, the outside wall will be insulated. If the framing or chase is outside, this insulation should be used in the framing on the back, sides, and top. The bottom should be insulated with a hard insulating board. This will prevent cold from going into the chase through the fireplace to the living space.

Install the Firebox

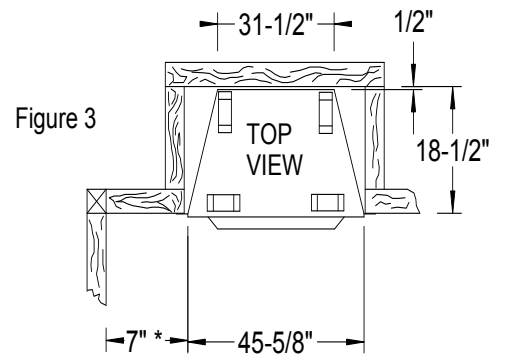
Install the firebox into the framed opening by placing it directly in front of the opening and sliding it into the proper position.

Level the Firebox

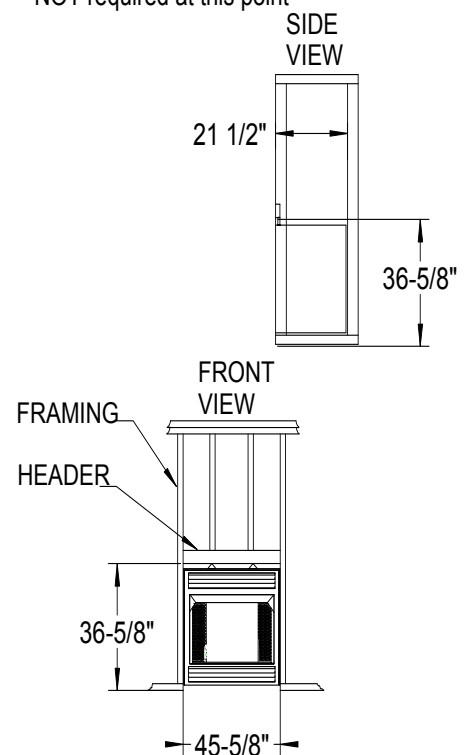
Check the level of the firebox on the top edge of the fireplace face. Shim if necessary.

Secure the Firebox

Secure the fireplace to the framing. The nailing flanges on the firebox will make securing the firebox to the frame quick and easy. Use appropriate size nails or screws to secure the firebox.



* Note: Minimum 1/2" clearance NOT required at this point



FINISHING YOUR FIREPLACE (ZC)

There is a wide variety of finishing material available for your fireplace from formal wall treatments with marble and mantels, to rustic wood paneling, stone or brick. Non-combustible materials used in this installation such as slate, tile, marble, etc. must be at least 1/2" thick.

IT IS IMPORTANT THAT THE BLACK FACE OF THE FIREPLACE NOT BE COVERED WITH ANY TYPE OF COMBUSTIBLE MATERIAL.

Non-combustible facing materials such as marble, brick, or ceramic tile may overlap the black face of the fireplace up to the opening on either side of the fireplace. Seal all joints between the black fireplace face and the wall covering with a heat-resistant material such as rock wool insulation or mortar. Be sure to use high temperature adhesive or mortar when

anchoring brick, stone, or tile to the face of the fireplace. Check to see whether man-made brick and stone are made of non combustible materials before using them on the face of the fireplace. Some of these products contain combustible materials. Combustible wall coverings such as paneling or wallboard may not overlap the black face of the fireplace. The space between the wall covering and the fireplace should be sealed with a heat resistant material such as rock wool insulation or mortar.
NOTE: An "L" shaped steel lintel must be installed across the top of the firebox opening where facing materials such as brick or stone is used on the face of the firebox. It acts as a support/firestop. It should be attached to the face of the fireplace with screws and sealed to the fireplace with a heat-resistant sealer.

CLEARANCES (ZC)

To ensure a safe installation, the following must be carefully observed.

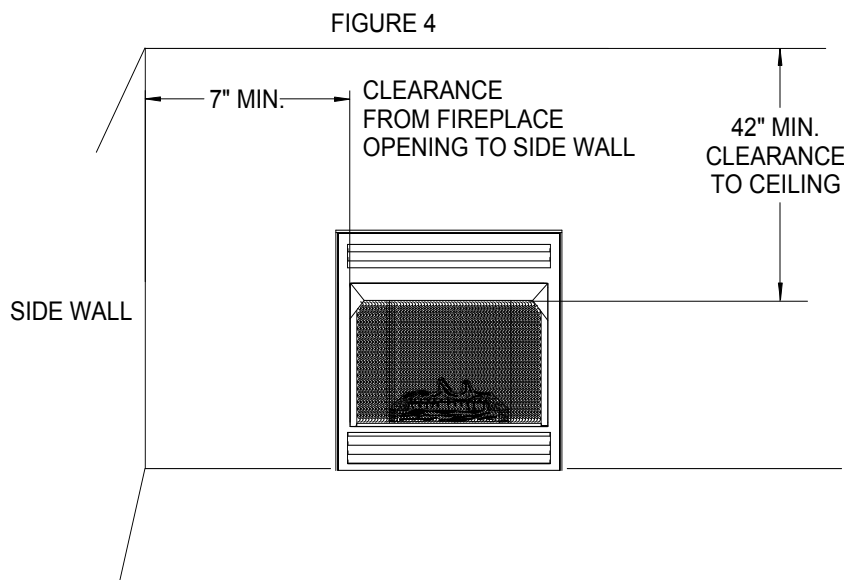
1. **Sidewall Clearances:** Clearances from the side of the fireplace opening to any adjacent combustible wall should not be less than 7" right side and 7" left side, facing the front of the appliance. See Figure 4.
2. **Ceiling Clearances:** The ceiling height should not be less than 42" from the top of the

fireplace opening.

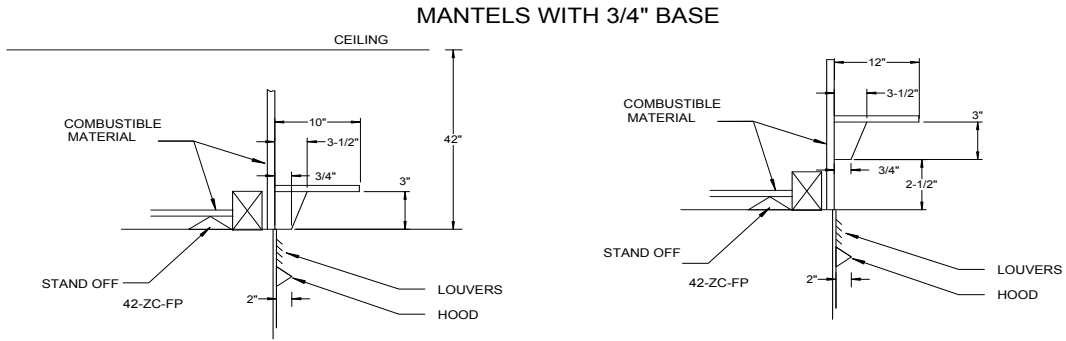
3. **Mantel Clearances:** We have provided 3 different situations to position your mantel. See Figure 5.

Non-combustible materials used in this installation such as slate, tile, marble, etc. must be at least 1/2" thick.

4. **Floor Clearances:** No clearance is required if the appliance is installed per these instructions.



MANTEL PROFILES FOR ZERO CLEARANCE (ZC) CABINET MUST BE FOLLOWED



Bottom of 3/4" Base or Support must be Flush with top of Unit if mantel is 10" wide or less.

Bottom of 3/4" Base or Support must be at least 2-1/2" from top of Unit if mantel is 10" wide or more.

**FRONT VIEW OF MODEL 42-ZC-FP
FLAT MANTEL WITH SUPPORTS**

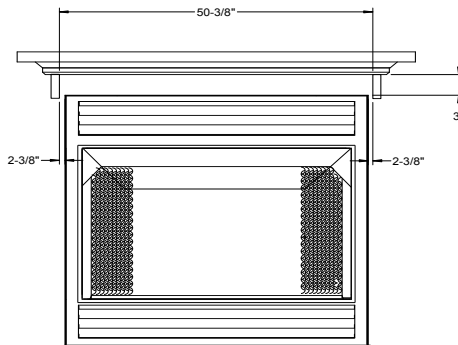
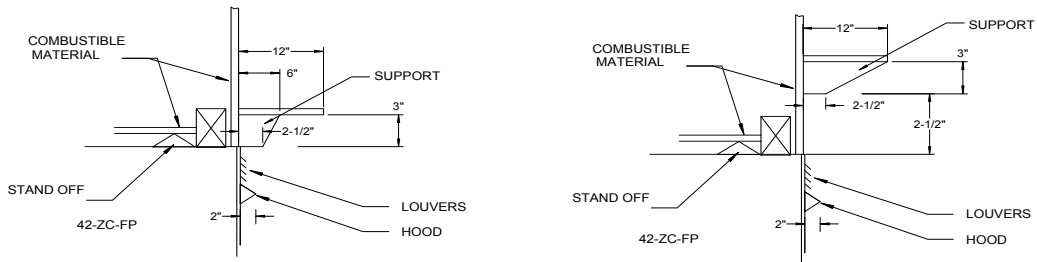


Figure 5

MANTELS WITH 2-1/2" BASE



Bottom of 2-1/2" Base or Support must be Flush with top of Unit if mantel is 12" wide or less.

Bottom of 2-1/2" Base or Support must be at least 2-1/2" from top of Unit if mantel is 12" wide or more.

**INSTALLATION OF MODEL 42 (WS)
WITH OPTIONAL WOODEN SURROUND (KIT#PAKDM42)**

1. When choosing the right location for your heater and wooden surround (mantel) keep the following in mind:

NOTE: Due to high temperatures, this heater should be located out of traffic areas and away from furniture and draperies.

NOTE: Kit No. (PA KDM42) Optional Wooden Surround (Mantel) for Model 42 (WS).

CAUTION: THE INSTALLATION MUST CONFORM WITH LOCAL CODES OR, IN THE ABSENCE OF LOCAL CODES, WITH THE *NATIONAL FUEL GAS CODES, ANSI Z223.1/NFPA 54.*

NOTE: See page 17 for “Gas Connection” and page 18 for “Gas Pressure Check”.

WARNING: YOUNG CHILDREN SHOULD BE CAREFULLY SUPERVISED WHEN THEY ARE IN THE SAME ROOM WITH THE APPLIANCE. DO NOT PLACE CLOTHING OR OTHER FLAMMABLE MATERIAL ON OR NEAR THE APPLIANCE

2. Screen(s) can not be removed or altered (Position screen(s) in the closed position before leaving heater unattended).
3. Follow instructions for assembly of (Optional) Wooden Surround (Mantel). See instructions supplied with surround.
4. After mantel has been assembled, slide the heater from the rear into the opening of the surround.

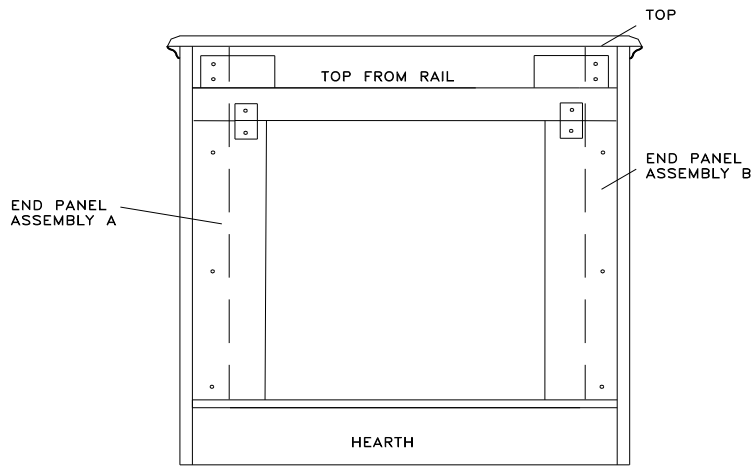
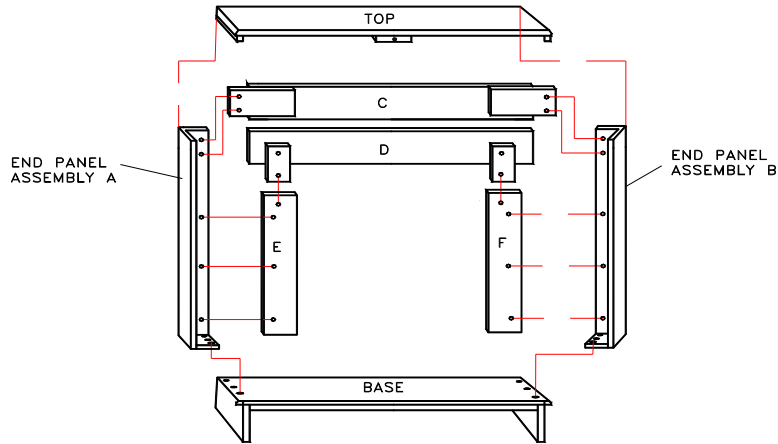
NOTE: Place a cloth or blanket over the front portions of the mantel as not to mar the wood.

5. Center the heater in the opening of the surround (mantel).
6. Fasten mantel to hearth by using 1/2" wood screws.
7. Insert the nine (9) wood screws provided with wooden surround through slots on nailing flange and secure in place.
8. Position mantel and fireplace into desired location.

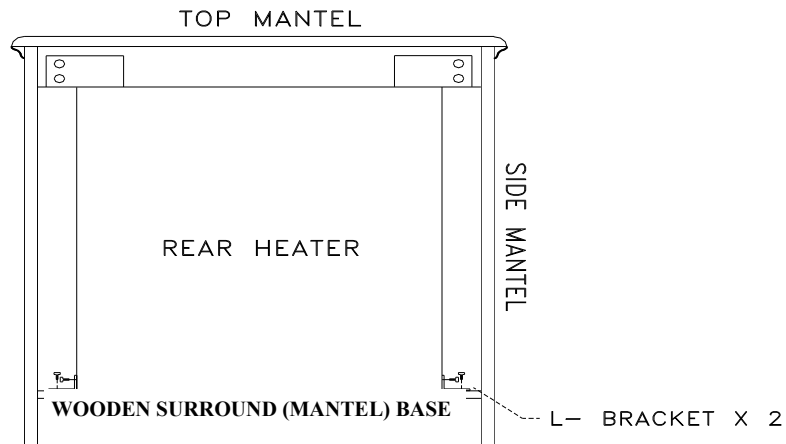
NOTE: Hook gas supply line into heater. Check for leaks using soap and water, not an open flame.

NOTE: At this point, you may want to anchor the surround to the wall or floor.

9. Now you are ready to position the log set. See pages 18, 19, 20.
10. To light the heater, see "Lighting Instructions", pages 21 through 32. Make sure you have the right gas valve for Natural or LP gas.



AS VIEWED FROM BACK OF SURROUND



PRODUCING ADEQUATE VENTILATION

This section is for residential or manufactured (mobile) installation

“This heater shall not be installed in a confined space or unusually tight construction unless provisions are adequate combustion and ventilation air.”

The **National Fuel Gas Code, ANSI Z223.1/NFPA 54** defines a confined space as a space whose volume is less than 50 cubic feet per 1,000 BTU per hour (4.8m^3 per kw) of the aggregate input rating of all appliances installed in that space and an unconfined space as a space whose volume is not less than 50 cubic feet per 1,000 BTU per hour (4.8m^3 per kw) of the aggregate input rating of all appliances installed in that space. Rooms communicating directly with the space in which the appliances are installed, through openings not furnished with doors, are considered a part of the unconfined space.

“WARNING: IF THE AREA IN WHICH THE HEATER MAY BE OPERATED IS SMALLER THAN THAT DEFINED AS AN UNCONFINED SPACE OR IF THE BUILDING IS OF UNUSUALLY TIGHT CONSTRUCTION, PROVIDE ADEQUATE COMBUSTION AND VENTILATION AIR BY ONE OF THE METHODS DESCRIBED IN THE NATIONAL FUEL GAS CODE, ANSI Z223.1/NFPA 54, SECTION 5.3 OR APPLICABLE LOCAL CODES.”

Unusually tight construction is defined as construction where:

- a) Walls and ceilings exposed to the outside atmosphere have a continuous water vapor retarder with a rating of 1 perm (6×10^{-11} kg per pa-sec- m^2) or less with openings gasketed or sealed;
- b) Weather stripping has been added on openable windows and doors, and
- c) Caulking or sealants are applied to areas such as joints around window and door frames, between sole plates and floors, between wall-ceiling joints, between wall panels, at penetrations for plumbing, electrical, and gas lines, and at other openings.

NOTE: SOME AREAS IN THE UNITED STATES HAVE HIGHER REQUIREMENTS FOR CUBIC FEET PER 1000 BTU/ HOUR INPUT. (EX. CINCINNATI, OHIO CODES REQUIRE 70 CUBIC FEET). CHECK YOUR LOCAL CODE BEFORE INSTALLATION.

DETERMINING FRESH-AIR FLOW FOR HEATER LOCATION

DETERMINE IF YOU HAVE A CONFINED OR UNCONFINED SPACE

Use this worksheet to determine if you have confined or unconfined space.

SPACE: Includes the room in which you will install heater plus adjoining rooms with doorless passageways or ventilation grills between the rooms.

1. Determine the volume of the space (length x width x height).

Length x Width x Height = _____ cu.ft.(volume of space)

EXAMPLE: 20 ft.(Length) x 16 ft.(Width) x 8 ft.(ceiling Height)=
2560 cu. ft. (volume of space)

If additional ventilation to adjoining room is supplied with grills or openings, add the volume of these rooms to the total volume of the space.

2. Divide the space volume by 50 cubic feet to determine the maximum BTU/Hr the space can support.

_____ (volume of space)/50 cu. ft. =maximum BTU/Hr the space can support)

EXAMPLE: 2560 cu. ft. (volume of space /50 cu. Ft. = 51.2 or
51200 (maximum BTU/Hr the space can support)

3. Add the BTU/Hr of all fuel burning appliances in the space.

Vent-free heater	_____ BTU/Hr
Gas water heater*	_____ BTU/Hr
Gas furnace	_____ BTU/Hr
Vented gas heater	_____ BTU/Hr
Gas fireplace logs	_____ BTU/Hr
Other gas appliances*	+ _____ BTU/Hr
Total	= _____ BTU/Hr

Example: Gas water heater 40000 BTU/Hr
Vent-free heater + 18000 BTU/Hr
Total = 58000 BTU/Hr

*Does not include direct-vent gas appliances. Direct-vent draws combustion air from the outdoors and vents to the outdoors.

4. Compare the maximum BTU/Hr the space can support with the actual amount of BTU/Hr used.

_____ BTU/Hr (maximum the space can support)
_____ BTU/Hr (actual amount of BTU/Hr used)

Example: 51200 BTU/Hr (maximum the space can support)
58000 BTU/Hr (actual amount of BTU/Hr used)

The space in the above example is a confined space because the actual BTU/Hr used is more than the maximum BTU/Hr the space can support. You must provide additional fresh air. Your options are as follows:



A. Rework worksheet, adding the space of an adjoining room. If the extra space provides an unconfined space, remove door to adjoining room or add ventilation grills between rooms. See “Ventilation Air From Inside Building”, figure 6.

B. Vent room directly to the outdoors. See “Ventilation Air From Outdoors”, page 16.

C. Install a lower BTU/Hr heater, if lower BTU/Hr size makes room unconfined.

If the actual BTU/Hr used is less than the maximum BTU/Hr the space can support, the space is an unconfined space. You will need no additional fresh air ventilation.

WARNING: YOU MUST PROVIDE ADDITIONAL VENTILATION AIR IN A CONFINED SPACE

VENTILATION AIR VENTILATION AIR FROM INSIDE BUILDING

This fresh air would come from an adjoining unconfined space. When venting to an adjoining space, you must provide two permanent openings: one within 12" of the ceiling and one within 12" of the floor on the wall connecting the two spaces. (See Options 1 and 2) You can also remove door into adjoining room. (See Option 3)

WARNING

REWORK WORKSHEET, ADDING THE SPACE OF THE ADJOINING UNCONFINED SPACE. THE COMBINED SPACES MUST HAVE ENOUGH FRESH AIR TO SUPPLY ALL APPLIANCES IN BOTH SPACES.

NOTE: Each opening shall have a minimum free area of 1 square inch per 1000 BTU’s per hour of the total input ratings of all gas utilization equipment in the confined space, but not less than 100 square inches.

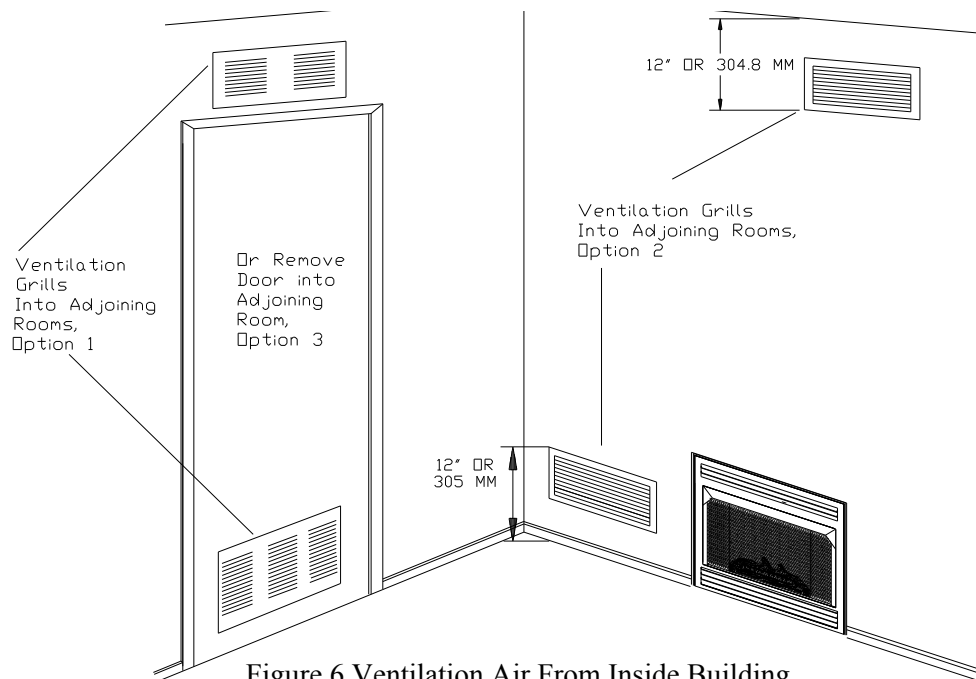


Figure 6 Ventilation Air From Inside Building

VENTILATION AIR FROM OUTDOORS

Provide extra fresh air by using ventilation grills or ducts. You must provide two permanent openings: one within 12" of the ceiling and one within 12" of the floor. Connect these items directly to the outdoors. These spaces include attics and crawl spaces. Follow the National Fuel Gas Code NFPA 54/ANSI Z223.1, Section 5.3, "Air For Combustion and Ventilation" for required size of ventilation grills or ducts.

IMPORTANT: Do not provide openings for inlet air into attic if attic has a thermostat-controlled power vent. Heated air entering the attic will activate the power unit.

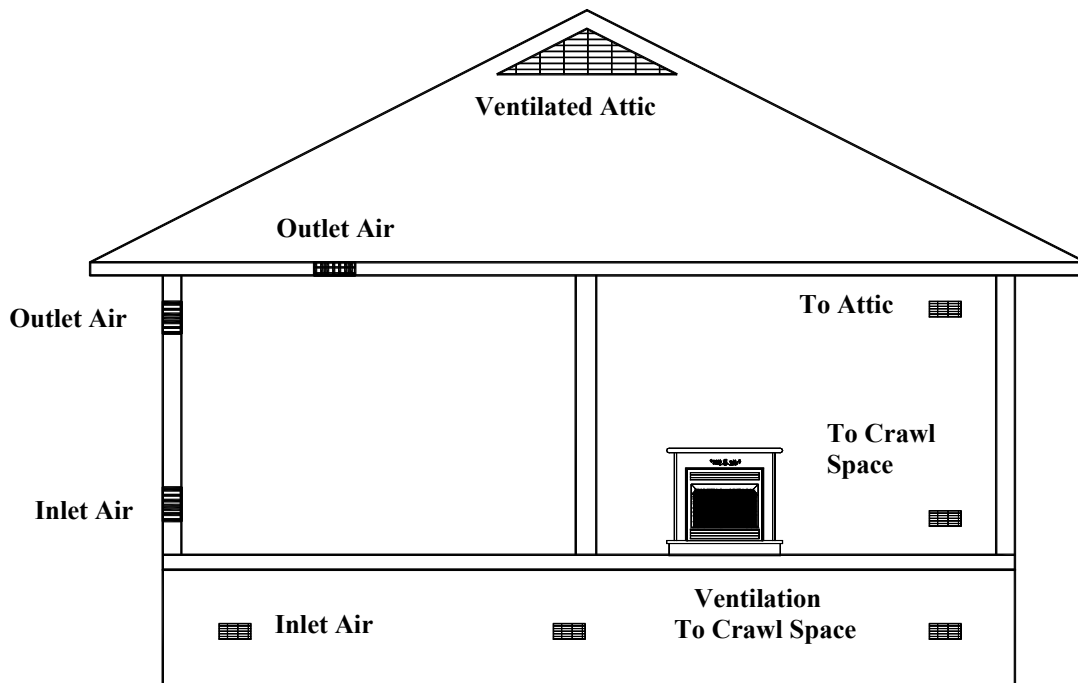


Figure 7

WARNING

THIS HEATER MUST HAVE FRESH AIR FOR PROPER OPERATION. IF NOT, POOR FUEL COMBUSTION COULD RESULT. READ THE FOLLOWING INSTRUCTIONS TO INSURE PROPER FRESH AIR FOR THIS AND OTHER FUEL-BURNING APPLIANCES IN YOUR HOME.

WARNING: ANY CHANGE TO THIS HEATER OR ITS CONTROLS CAN BE DANGEROUS.

GAS CONNECTION

Check gas type. Use only the type of gas indicated on the valve rating plate. If the type of gas listed on the plate is not your type of gas supply, **DO NOT INSTALL.** Contact your dealer for proper model. Always use an external regulator for all LP heaters to reduce the supply tank pressure to a maximum of 13" W.C. This is in addition to the regulator furnished with the heater.

WARNING: CONNECTION DIRECTLY TO AN UNREGULATED LP TANK CAN CAUSE AN EXPLOSION.

The normal gas connection is 3/8" N.P.T. made at the left side (facing the front of the appliance) of the appliance. If a right side connection is desired, the connecting pipe may be led under the rear of the burner base to terminate at the right side for connection to the inlet of the valve.

NOTE: The connecting pipe must be internally tinned copper tubing for use with natural gas. Test for leaks using a solution of soap and water after completing the connection. **DO NOT USE OPEN FLAME.**

WARNING: Installation and repairs should be performed by a qualified service person. The appliance should be inspected before use and at least annually by a professional service person. More frequent cleaning may be required due to excessive lint from carpeting, bedding material, etc. It is imperative that control compartments, burners and circulating air passageways of the appliance be kept clean.

GAS PRESSURE CHECK

Check the inlet pressure to the burner to ensure that it is as shown in the table below.

NOTE: The pressure check point is located on the right side of the valve facing burner, for ITT, and the left side for SIT.

The appliance and its appliance main gas valve must be disconnected from the gas supply piping system during any pressure testing of that system at test pressures in excess of 1/2 psi (3.5kPa).

The appliance must be isolated from the gas supply piping system by closing its equipment shut-off valve during any pressure testing of the gas supply piping system at test pressures equal to or less than 1/2 psi (3.5KpA.)

VALVE MODEL:	(MILLIVOLT)		(SIT MANUAL-MODULATING)	
	FP-42-ZC	FP-42-ZC	FP-42-ZC	FP-42-ZC
GAS	Natural	Propane	Natural	Propane
Maximum Heat Input	33,000	33,000	33,000	33,000
Minimum Heat Input	23,000	23,000	12,000	13,000
<u>Gas Inlet Pressure</u>				
Maximum	10.5ins.W.C.	13ins.W.C.	10.5ins.W.C.	9.0ins.W.C.
Minimum	* 5.0ins.W.C.	*11ins.W.C.	*5.0ins.W.C.	*11ins.W.C.
<u>Manifold Pressure</u>				
Maximum	3.5ins.W.C.	9.0ins.W.C.	3.5ins.W.C.	9.0ins.W.C.

NOTE: On initial installation it may be necessary to bleed out air in the gas lines. Do this by holding the control knob and turning the knob to the "PILOT" position for about 30 seconds.

To check the regulator pressure, remove the pressure tag plug at the left side of the regulator facing the heater. The pressure should be checked with the heater burning and the control set on high. After measuring the pressure, replace the pressure tap plug, ensuring that there are no leaks.

* For the purpose of minimum input adjustment.

WARNING

**This appliance is equipped for (natural or propane) gas.
Field conversion is not permitted.**

PLACEMENT OF LOGS FOR FP-42-ZC

DX 2733

Open the carton containing the logs. The logs are boxed separated:

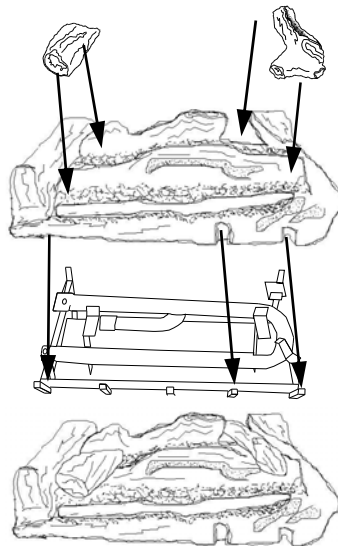
WARNING: POSITIONING OF LOGS IS VERY CRITICAL

- 1. POSITION THE MOLDED PART OF LOG SET ONTO BURNER: REAR PART OF LOGS IN REAR LOG HOLDER; FRONT PART OF LOGS IN BETWEEN FRONT TUBE AND GRATES.**
- 2. PLACE LEFT AND RIGHT TOP LOGS INTO SLOTS PROVIDED ON REAR AND FRONT LOGS.**

WHEN IGNITING THE BURNER, MAKE SURE THE FLAME IS NOT TOUCHING EITHER SIDE OF TOP LOGS. IF FLAME IS TOUCHING LOGS ON EITHER SIDE, MOVE SLIGHTLY TO THE LEFT OR RIGHT TO ELIMINATE THE FLAME FROM TOUCHING EITHER LOG.

NOTE: When operated for the first time, logs may emit a “paper burning” smell. This smell will gradually diminish and will be totally eliminated after the first few hours of operation. Run the gas logs with the flue damper open during this time. Do not use the blower at this time.

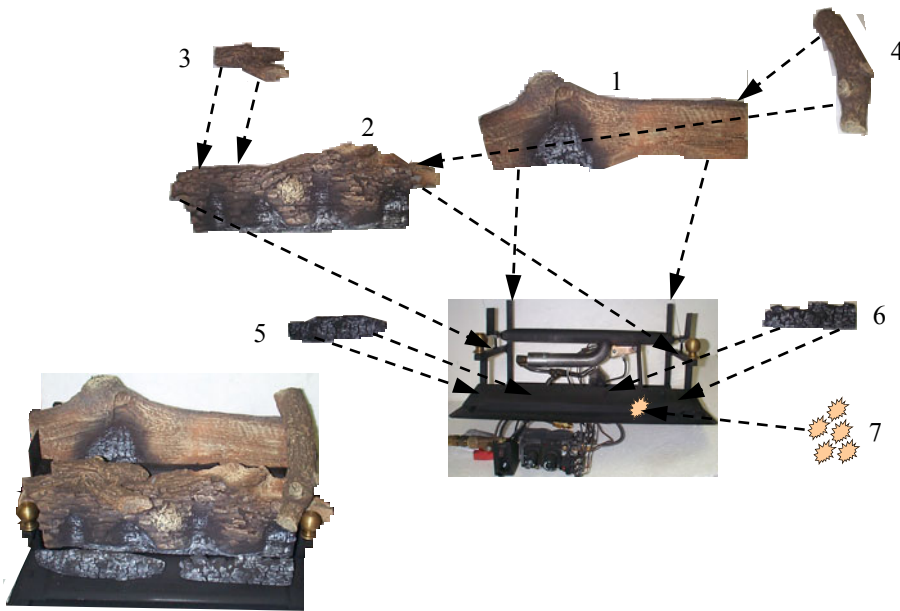
**DX 2733
For 19GL Base in Model 42ZC**



WARNING: Failure to position the parts in accordance with these diagrams or failure to use only parts specifically approved with this heater may result in property damage or personal injury.

“WARNING: Do not allow fans to blow directly into fireplace. Avoid any drafts that alter burner flame patterns.”

EMBER STOVE LOG SET PLACEMENT FOR MODEL 42



“MILLIVOLT ONLY”

WARNING: Failure to position the parts in accordance with these diagrams or failure to use only parts specifically approved with this heater may result in property damage or personal injury.

WARNING: POSITIONING OF LOGS IS VERY CRITICAL (SEE DIAGRAM ABOVE).

MODEL E.S.B: 1)Rear Log, 2)Middle Log, 3)Left Top Middle Log, 4)Right Top Middle Log 5)Left Front Log 6)Right Front Log 7)Glowing Embers in front of 5 & 6 logs.

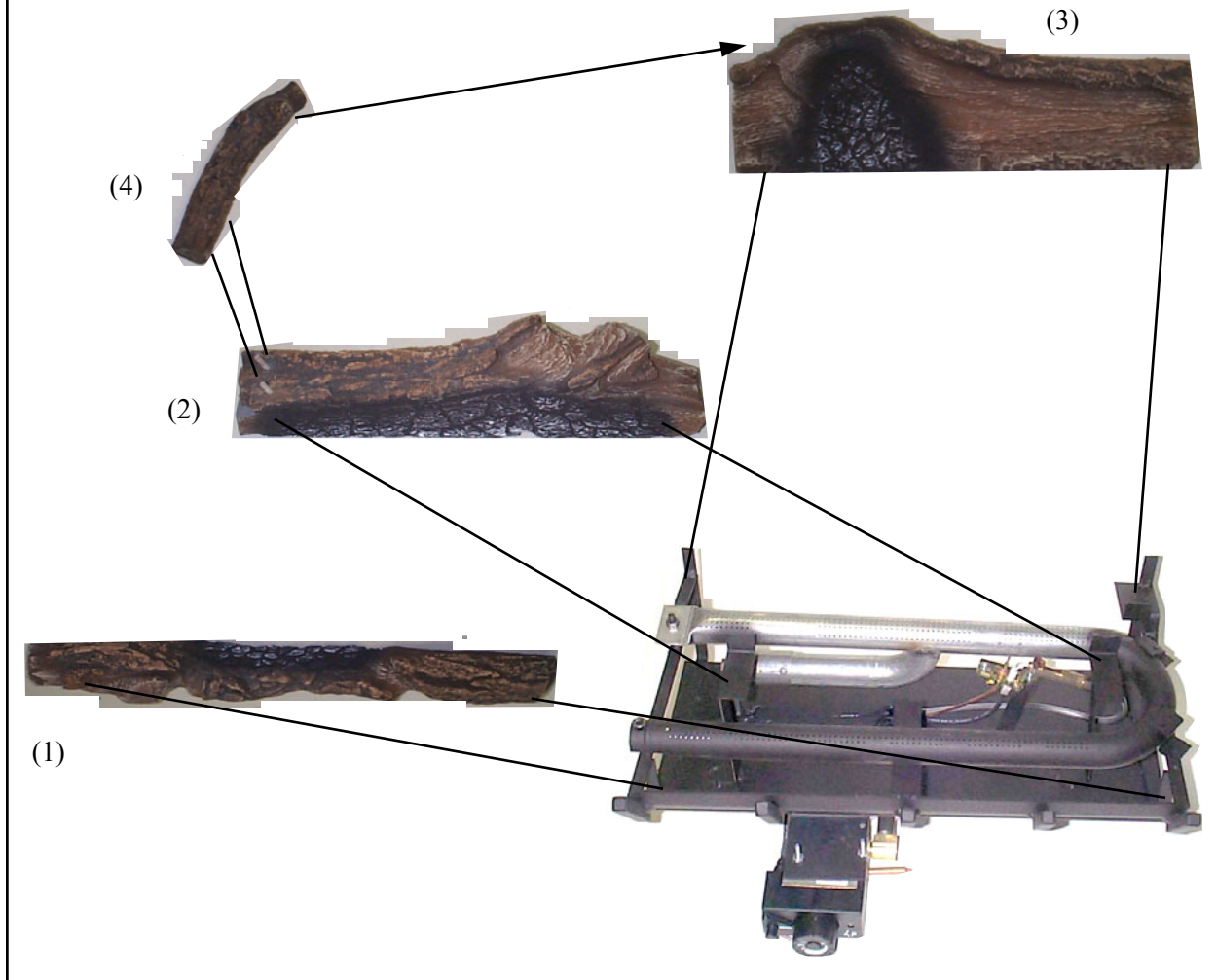
WARNING: POSITIONING OF LOGS IS VERY CRITICAL (See Figure 2).

- 1) Place rear log #1 on rear log supports. The log has alignment notches on each rear corner.
- 2) Place Middle log #2 in front of the rear burner tube and then move the log forward. The log should seat just behind the brass knob(s), located in the middle section of the base between the rear burner tube and the front burner pan.
- 3) Place Left Top Middle log #3 on the pins located on the left top section of Middle log #2.
- 4) Place Right Top Middle log #4 on the pin located on the right top section of Middle log #2 and align the notch on the right side #4 with the side shield on the right.
- 5) Place Left Front log #5 on the locator pins located on the left middle section of the front burner pan.
- 6) Place Right Front log #6 on the locator pins located on the right middle section of the front burner pan.
- 7) Provided with your log set is a package of Glowing Embers (rock wool). Open the package and tare off small pieces of the wool material and place it over the small holes (ports) located on the front burner pan in front of logs #5 and #6. Cover the entire section of holes (ports).
***Replacement of loose (Glowing Embers) must be purchased from the original manufacturer and application of excess loose material may adversely affect performance of the heater.**

NOTE: “Wash your hands immediately after coming in contact with the wool material. The wool can cause slight itching or burning in some cases, avoid any contact with eyes.”

“WARNING: All previously applied loose material must be removed prior to replacement.”

CR3329 CERAMIC LOG SET PLACEMENT FOR MODEL 42



WARNING: Failure to position the parts in accordance with these diagrams or failure to use only parts specifically approved with this heater may result in property damage or personal injury.

WARNING: POSITIONING OF LOGS IS VERY CRITICAL (SEE DIAGRAM ABOVE).

- (1) Front Log #1 (Slim Log wrapped in cardboard box) . Place the log between front portion of burner and log grates.
- (2) Middle Glow Log #2 . Place rear of log on top of middle log supports located in open center portion of burner base. Front of log should rest slightly behind the rear line of burner holes on the front portion of the burner. Align the notch on the left front bottom side of the log over the existing hold down nut of the burner. This should align the log at the right position from left or right on the burner.
- (3) Rear Log #3. Place log in rear log supports center from left to right.
- (4) Left Top Log #4. Log has two (2) holes in the bottom front side. Align the holes with the two (2) pins located on the left top of log #2. Rear of log #4 should rest on the left top end of the rear log #3.

**LIGHTING INSTRUCTIONS
MILLIVOLT VALVE (ITT)**

FOR YOUR SAFETY, READ BEFORE LIGHTING

WARNING


IF YOU DO NOT FOLLOW THESE INSTRUCTIONS EXACTLY, A FIRE OR EXPLOSION MAY RESULT CAUSING PROPERTY DAMAGE, PERSONAL INJURY, OR LOSS OF LIFE.

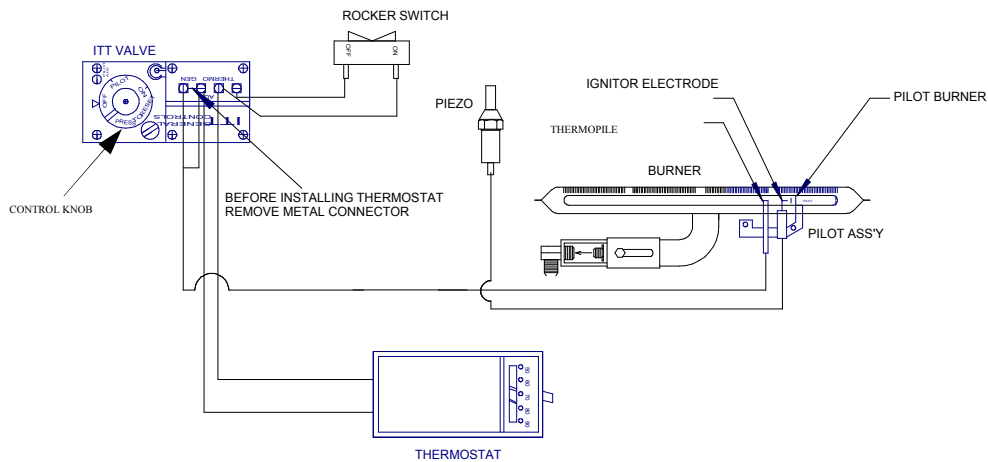
- A. This appliance has a pilot which must be lighted by hand. When lighting the pilot, follow these instructions exactly.
- B. **BEFORE LIGHTING** smell around the appliance for gas. Be sure to smell next to the floor because gas is heavier than air and will settle on the floor.

WHAT TO DO IF YOU SMELL GAS


- ◆ Do not try to light any appliance.
 - ◆ Do not touch any electrical switch; do not use any phone in your building.
 - ◆ Immediately call your gas supplier from a neighbor's phone. Follow the gas supplier's instructions.
 - ◆ If you cannot reach your gas supplier, call the fire department.
- C. Use only your hand to push in or turn the gas control knob. Never use tools. If the knob will not push in or turn by hand, don't try to repair it, call a qualified service technician. Force or attempted repair may result in a fire or explosion.
- D. Do not use this appliance if any part has been under water. Immediately call a qualified service technician to inspect the appliance and to replace any part of the control system and any gas control which has been under water.

LIGHTING INSTRUCTIONS

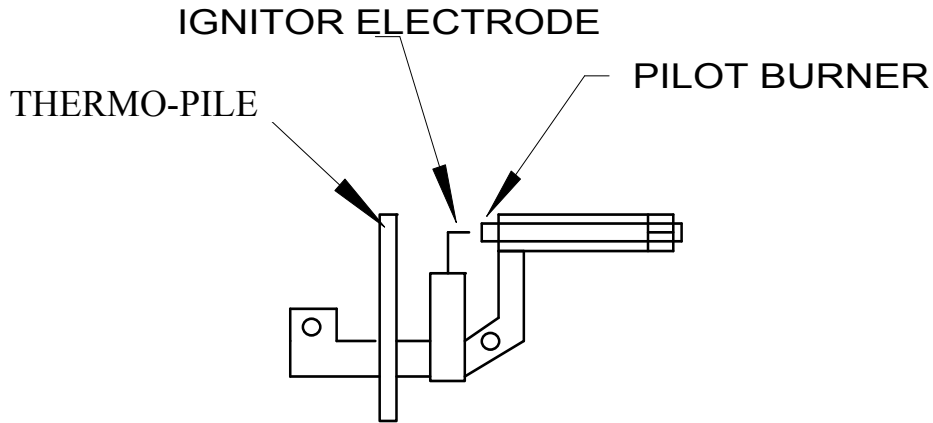
1. **STOP!** Read the safety information on previous page.
2. Make sure the manual shutoff valve is fully closed. If equipped with thermostat set to the lowest setting.
3. Turn off all electrical power to the appliance.
4. Open access panel door located at bottom front of the appliance.
5. Turn control knob clockwise  to the full "OFF" position.




When hooking up a Wall Thermostat to valve, remove the Jumper Bar. Do not remove the existing wires, simply add the wire from the Wall Thermostat to screws (one wire to each screw).

6. Wait five (5) minutes to clear out any gas. Then smell for gas, including near the floor. If you smell gas, **STOP!** Follow "B" in the safety information on the previous page. If you don't smell gas, go to the next step.
 7. Find Pilot: The pilot is located in front of the rear log and burner on the right hand side of the appliance. Fully open the manual shutoff valve.
 8. Push the ON/OFF toggle switch to "OFF" (rocker switch).
 9. Turn gas control knob counterclockwise  to the "PILOT" position. Press in gas control knob for fifteen (15) seconds.
 10. With control knob pressed in, push down (in) and release the ignitor button (ignitor button is located on the left hand side of the front of the appliance). This will light the pilot. If needed, keep repeating this step until pilot lights.
 11. Keep control knob pressed in for (1) one minute after lighting pilot. After (1) minute, release the gas control knob and it will pop back up. Pilot should remain lit. If pilot goes out, repeat steps 1 through 9.
- If the knob does not pop up when released, stop and immediately call your service technician or gas supplier.

- If the pilot will not stay lit after several tries, turn the gas control knob to “OFF” and call your service technician or gas supplier.




12. Turn control knob counterclockwise  to the “ON” position. Push the “ON/OFF” toggle switch to the “ON” position. The main burner should light.
13. Close access panel door.
14. Turn on all electrical power to the appliance.

NOTE: This unit may be used with an optional Wall Thermostat. If so, the Wall Thermostat needs to be set at a higher temperature than the room temperature.

TO TURN OFF GAS TO APPLIANCE

SHUTTING OFF UNIT

1. Open access panel door located at bottom front of the appliance.
2. “If equipped with thermostat set to lowest setting.”
3. Turn control knob clockwise  to the “OFF” position.
4. Turn off all electric power to the appliance if service is to be performed.
5. Close access cover door.

SHUTTING OFF BURNER ONLY (Pilot stays lit.)

Turn control knob clockwise  to the “PILOT” position.

CAUTION



DO NOT TRY TO ADJUST HEATING LEVELS BY USING THE MANUAL SHUTOFF VALVE.

“REMOVAL OF THIS MARKING WILL VOID THE COMPLIANCE OF THIS HEATER WITH ANSI Z21.11.2”

THERMOSTAT CONTROL OPERATION

- This valve operates off of millivolts produced by the generator. You may choose to use an optional Wall Thermostat or Remote control. If so, see Figure 2, page 11 for wiring diagram.

MANUAL LIGHTING PROCEDURE

1. If the pilot cannot be lit with the piezo, it can be manually lit with the use of a paper match and a lighter rod.
 2. Open access panel door located at bottom front of the appliance.
 3. Place the match in the holder and light. With the left hand, turn the control knob counterclockwise  to "PILOT" position. Press in gas control knob for fifteen (15) seconds.
 4. Use rod to light match and ignite pilot. The pilot is located in front of the rear log and burner on the right hand side of the appliance.
 5. Continue to hold the control knob for an additional one (1) minute to ensure the pilot is lit.
 6. Turn control knob counterclockwise  to the "ON" position. Push the "ON/OFF" toggle switch to the "ON" position. The main burner should light.
 7. Close access panel door.
 8. Turn on all electrical power to the appliance.
- NOTE:** This unit may be used with an optional Wall Thermostat. If so, the Wall Thermostat needs to be set at a higher temperature than the room temperature.

**LIGHTING INSTRUCTION
MODULATING VALVE (SIT)
OR MANUAL VALVE (SIT)
FOR YOUR SAFETY READ BEFORE LIGHTING**

WARNING


IF YOU DO NOT FOLLOW THESE INSTRUCTIONS EXACTLY, A FIRE OR EXPLOSION MAY RESULT CAUSING PROPERTY DAMAGE, PERSONAL INJURY OR LOSS OF LIFE.”

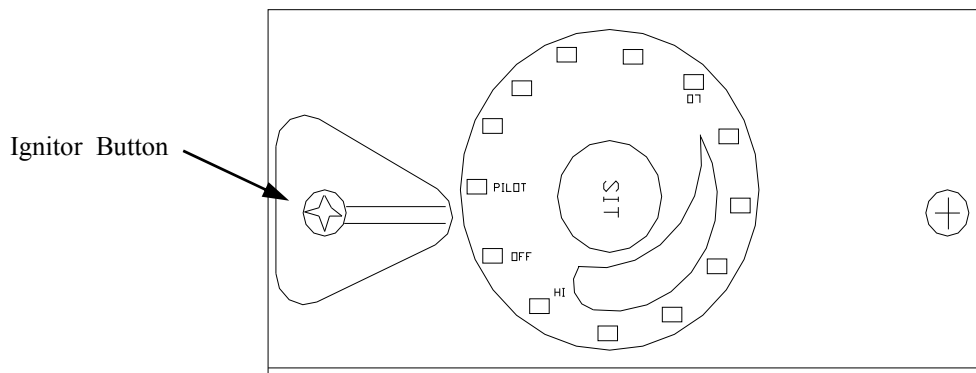
- A. This appliance has a pilot which must be lighted by hand. When lighting the pilot, follow these instructions exactly.
- B. **BEFORE LIGHTING** smell all around the appliance area for gas. Be sure to smell next to the floor because gas is heavier than air and will settle on the floor.


WHAT TO DO IF YOU SMELL GAS:

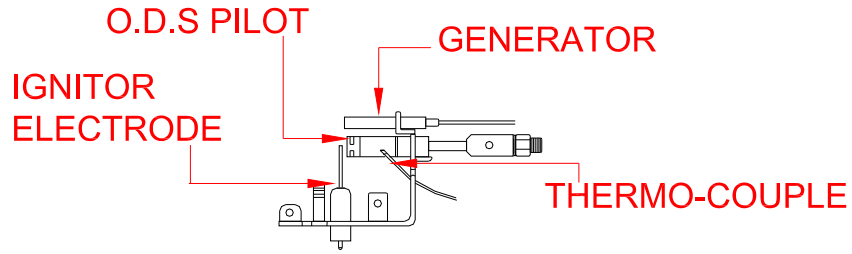
- Do not try to light any appliance.
 - Do not touch any electric switch; do not use any phone in your building.
 - Immediately call your gas supplier from a neighbor’s phone. Follow the gas supplier’s instructions.
 - If you cannot reach your gas supplier, call the fire department.”
- C. Use only your hand to push in or turn the gas control knob. Never use tools. If the knob will not push in or turn by hand, don’t try to repair it’ call a qualified service technician. Force or attempted repair may result in a fire or explosion.”
- D. **Do not** use this appliance if any part has been under water. Immediately call a qualified service technician to inspect the appliance and to replace any part of the control system and any gas control which has been under water.”



LIGHTING INSTRUCTION

1. **STOP!** Read the safety information on preceding page 25.
2. Make sure manual shutoff valve is fully closed.
3. Turn off all electrical power to the appliance.
4. Open access panel door located at bottom front of the appliance.
5. Turn control knob clockwise  to the full “OFF” position.



6. Wait five (5) minutes to clear out any gas. Then smell for gas, including near the floor. If you smell gas, **STOP!** Follow “B” on preceding page in the Safety Information. If you don’t smell gas, go to the next step.
7. Find Pilot: The pilot is located in front of the rear log and burner on the right hand side of the appliance. Fully open the manual shutoff valve.
8. Press in and turn gas control knob counterclockwise  to the “PILOT” position continue pressing in control knob for fifteen (15) seconds.
9. With control knob pressed in, push down (in) and release the ignitor button (ignitor button is located on the left hand side of the gas control valve) . This will light pilot. If needed, keep repeating this step until pilot lights.
10. Keep control knob pressed in for one (1) minute after lighting pilot. After one (1) minute, release control knob and it will pop back up. Pilot should remain lit. If pilot goes out, repeat steps 1 through 9.
 - If the knob does not pop up when released, stop and immediately call your service technician or gas supplier.
 - “If the pilot will not stay lit after several tries, turn the gas control knob to “OFF” and call your services technician or gas supplier.”




11. Turn gas control knob counterclockwise  to “ON” position. Continue to turn the gas control knob counterclockwise  to your desired setting.
12. Close access panel door.
13. Turn on all electrical power to the appliance.

CAUTION

DO NOT TRY TO ADJUST HEATING LEVELS BY USING THE MANUAL SHUTOFF VALVE.

TO TURN OFF GAS TO APPLIANCE

SHUTTING OFF UNIT

1. Open access panel door.
2. Turn gas control knob clockwise  to the full “OFF” position.
3. Turn off all electric power to the appliance if service is to be performed
4. Close access panel door.

SHUTTING OFF BURNER ONLY (pilot stays lit)

Turn control knob clockwise  to the “PILOT” position.

CAUTION: Hot while in operation. Do Not Touch. Keep children, clothing, furniture, gasoline, and other liquids having flammable vapors away.

CAUTION: DO NOT TRY TO ADJUST HEATING LEVELS BY USING THE MANUAL SHUTOFF VALVE.

WARNING: Improper installation, adjustment, alteration, service or maintenance can cause property damage, personal injury, or loss of life. Refer to owner’s information manual provided with this appliance. Installation and service must be performed by a qualified installer, service agency, or the gas supplier.



IMPORTANT: Always operate the appliance at the completely “ON” or the completely “OFF” positions. Never use the heater at a setting between these positions as this can result in improper combustion and excessive carbon monoxide emissions.

THERMOSTAT CONTROL OPERATION

1. The thermostat control on this heater differs from standard thermostats. Standard thermostats simply turn the burner on and off. The thermostat used on this heater senses the room temperature and adjusts the amount of gas flow to the burner. This will increase or decrease the flame height. At times, the room may exceed the set temperature, which will cause the burner to shut off. When room temperature drops below the thermostat setting, the burner will cycle itself on again. The control knob can be set to any level between “LO” and “HI”.

NOTE: The thermostat sensing bulb measures the temperature of air near the heater cabinet. This may not always agree with room temperature (depending on housing construction, installation location, room size, open air temperatures, etc.). Frequent use of your heater will allow you to determine your personal comfort levels.

MANUAL LIGHTING PROCEDURE

1. If the pilot cannot be lit with the piezo, it can be manually lit with the use of a paper match and a lighter rod.
2. Open access panel door located at bottom front of the appliance.
3. Place the match in the holder and light. With the left hand, turn the control knob counterclockwise  to “PILOT” position. Press in gas control knob for fifteen (15) seconds.
4. Use rod to light match and ignite pilot. The pilot is located in front of the rear log and burner on the right hand side of the appliance.
5. Continue to hold the control knob for an additional one (1) minute to ensure the pilot is lit.
6. Turn control knob counterclockwise  to the “ON” position. Push the “ON/ OFF” toggle switch to the “ON” position. The main burner should light.
7. Close access panel door.
8. Turn on all electrical power to the appliance.

NOTE: This unit may be used with an optional Wall Thermostat. If so, the Wall Thermostat needs to be set at a higher temperature than the room temperature.

LIGHTING INSTRUCTIONS
SIT-MILLIVOLT VALVE
FOR YOUR SAFETY READ BEFORE LIGHTING

WARNING: If you do not follow these instructions exactly, a fire or explosion may result causing property damage, personal injury, or loss of life.

A. This appliance has a pilot which must be lighted by hand. When lighting the pilot follow these instructions exactly. If piezo fails, then light the pilot using matches. Refer to the match lighting instructions.

B. **BEFORE LIGHTING** smell all around the appliance area for gas. Be sure to smell next to the floor because some gas is heavier than air and will settle to the floor.


WHAT TO DO IF YOU SMELL GAS:

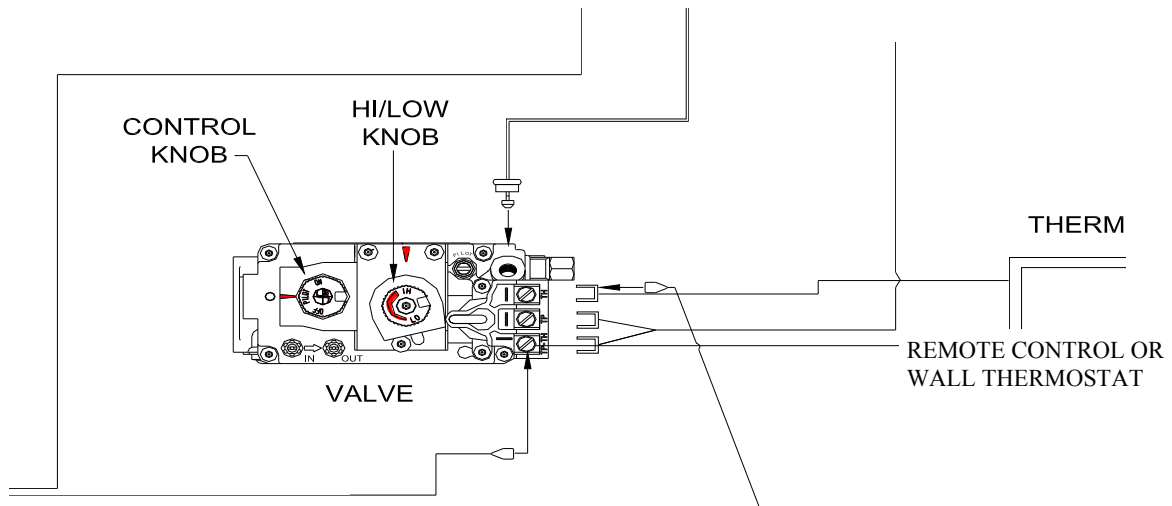
- * Do not try to light any appliance.
- * Do not touch any electric switch; do not use any phone in your building.
- * Immediately call your gas supplier from a neighbor's phone. Follow the gas supplier's instructions.
- * If you cannot reach your gas supplier, call the fire department.

C. Use only your hand to push in or turn the gas knob. Never use tools. If the knob will not push in or turn by hand, don't try to repair it. Call a qualified service technician. Force or attempted repair may result in a fire or explosion."


D. Do not use this appliance if any or part of it has been under water. Immediately call a qualified service technician to inspect the appliance and to replace any part of the control system and any gas control which has been under water."

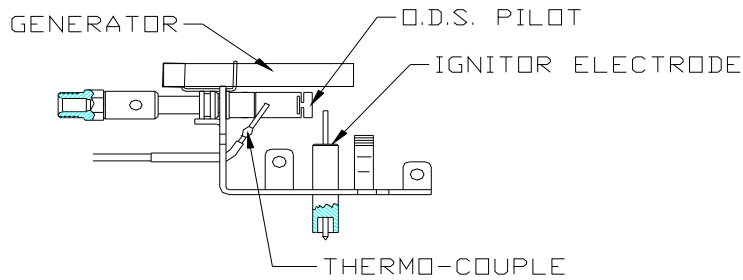
LIGHTING INSTRUCTIONS

1. **STOP!** Read the safety information on the reverse side of this label (page 29).
2. Make sure manual shutoff valve is fully closed. If equipped with thermostat, set to the lowest setting.
3. Turn off all electrical power to the appliance.
4. Open access panel door.
5. Push in gas control knobslightly and turn clockwise  to the full “OFF” position.




NOTE: Knob cannot be turned from “PILOT” to “OFF” unless knob is pushed in slightly. Do not force.

6. Wait (5) five minutes to clear out any gas. Then smell for gas, including near the floor. If you smell gas, STOP! Follow “B” in the safety information on the reverse side of this label. If you don’t smell gas, go to the next step.
 7. Find Pilot: The pilot is located in front of the rear log and burner on the right hand side of the appliance. Fully open the manual shutoff valve.
 8. Press in and turn knob on gas control counterclockwise  to “PILOT” and continue pressing in the knob for (15) fifteen seconds.
 9. With control knob pushed in push down (in) and release the ignitor button (ignitor button is located on the left hand side of the front of the appliance). This will light the pilot. If needed, keep repeating this step until pilot lights.
 10. Keep control knob pressed in for (1) one minute after lighting pilot. After (1) minute, release the control knob and it will pop back up. Pilot should remain lit. If pilot goes out, repeat steps 1 through 9.
- If the knob does not pop up when released, stop and immediately call your service technician or gas supplier.



* If the pilot will not stay lit after several tries, turn the gas control knob to “OFF” and call your service technician or gas supplier.


11. Turn control knob counterclockwise  to “ON”.
12. If using unit without wall thermostat place Auto/Off/Manual switch into the manual position. If using wall thermostat place Auto Off Manual Switch into the auto position and place thermostat to a setting higher than the room temperature.
13. “Turn on all electrical power to the appliance.”
14. Your heater is equipped with a HI & LO control. Turn clockwise for Low and counterclockwise for High.
15. Close access panel door.

CAUTION

DO NOT TRY TO ADJUST HEATING LEVELS BY USING THE MANUAL SHUTOFF VALVE.

TO TURN OFF GAS TO APPLIANCE

SHUTTING OFF UNIT

1. Open access door.
2. “If equipped with thermostat set to lowest setting.”
3. Turn control knob clockwise  to the full “OFF”.
4. Turn off all electric power to the appliance if service is to be performed.
5. Close access door.

SHUTTING OFF BURNER ONLY (Pilot stays lit.)

Turn control knob clockwise  to the “PILOT” position.



CAUTION: Hot while in operation. Do Not Touch. Keep children, clothing, furniture, gasoline, and other liquids having flammable vapors away.

CAUTION: DO NOT TRY TO ADJUST HEATING LEVELS BY USING THE MANUAL SHUTOFF VALVE.

WARNING: Improper installation, adjustment, alteration, service or maintenance can cause property damage, personal injury, or loss of life. Refer to owner’s information manual provided with this appliance. Installation and service must be performed by a qualified installer, service agency, or the gas supplier.

IMPORTANT: Always operate the appliance at the completely “ON” or the completely “OFF” positions. Never use the heater at a setting between these positions as this can result in improper combustion and excessive carbon monoxide emissions.

MANUAL LIGHTING PROCEDURE

1. If the pilot cannot be lit with the piezo, it can be manually lit with the use of a paper match and a lighter rod.
2. Open access panel door located at bottom front of the appliance.
3. Place the match in the holder and light. With the left hand, turn the control knob counterclockwise  to "PILOT" position. Press in gas control knob for fifteen (15) seconds.
4. Use rod to light match and ignite pilot. The pilot is located in front of the rear log and burner on the right hand side of the appliance.
5. Continue to hold the control knob for an additional one (1) minute to ensure the pilot is lit.
6. Turn control knob counterclockwise  to the "ON" position. Push the "ON/ OFF" toggle switch to the "ON" position. The main burner should light.
7. Close access panel door.
8. Turn on all electrical power to the appliance.

NOTE: This unit may be used with an optional Wall Thermostat. If so, the Wall Thermostat needs to be set at a higher temperature than the room temperature.

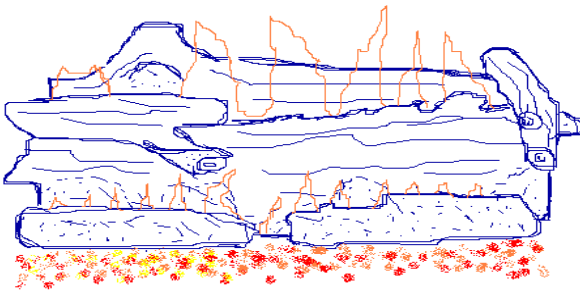
FLAME CHECK

A periodic check of the flames should be made. The pilot flame should always be present when the gas logs are in operation. See Figure 16.

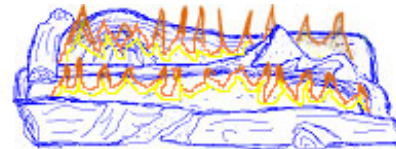
Rear Flames: The flames at the rear or at either side of the top log should be very similar, yellow in color, and should be about 3" to 4" above the large rear log for natural gas logs and about 6" for propane (LP) gas log sets.

Front Flame: The flame should be 1-1/2" to 2" high and touch the back of front log. This will produce a red glow on this log.

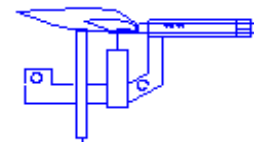
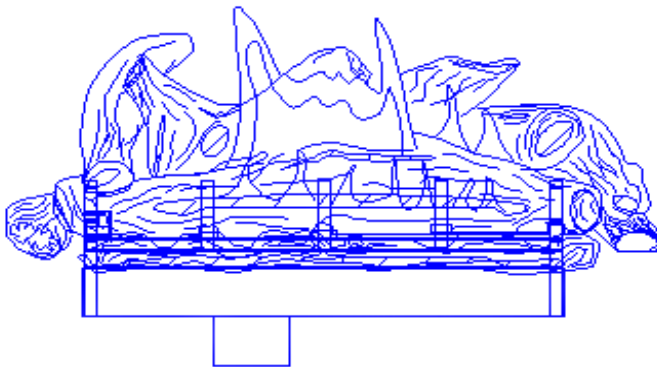
E.S.B. LOG SET



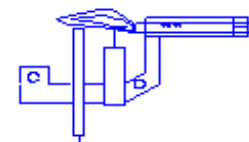
CR3329 LOG SET



DX 2733 SPLIT LOG SET



Natural



Propane

NOTE: The fireplace screen must be in place when the appliance is in operation. The screen must have openings for the introduction of combustion air unless other provisions have

WIRING DIAGRAM

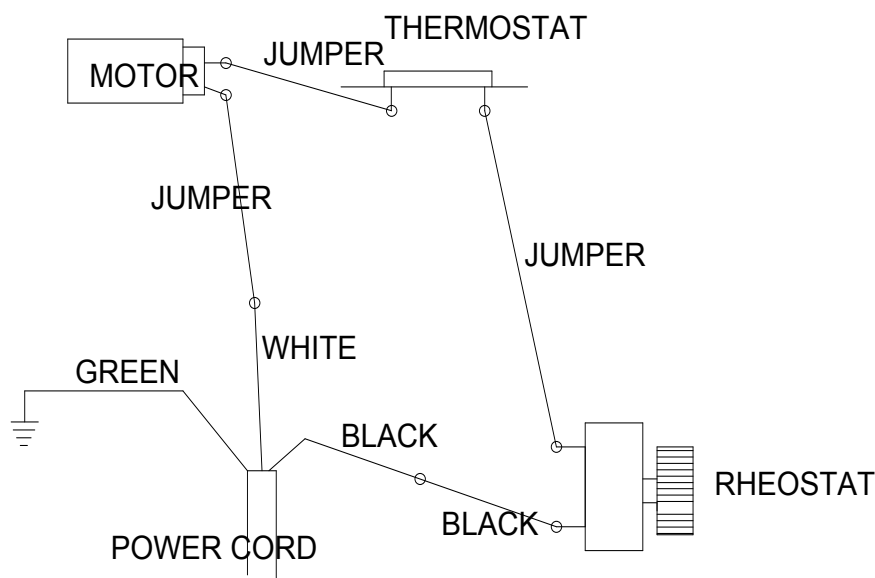


Figure 16

WARNING: CHILDREN AND ADULTS SHOULD BE ALERTED TO THE HAZARDS OF HIGH SURFACE TEMPERATURES AND SHOULD STAY AWAY TO AVOID BURNS OR CLOTHING IGNITION. YOUNG CHILDREN SHOULD BE CAREFULLY SUPERVISED WHEN THEY ARE IN THE SAME ROOM WITH THE APPLIANCE

WARNING: DO NOT PLACE CLOTHING OR OTHER FLAMMABLE MATERIAL ON OR NEAR THE APPLIANCE.

NOTE: “If any of the original wire as supplied with the gas appliance must be replaced, it must be replaced with a wire of at least a 105° C. temperature rating.”

NOTE: Installation and repair should be done by a qualified service person. This heater should be inspected before use and at least annually by a qualified service person. More frequent cleaning may be required due to excessive lint from carpeting, bedding material, etc. It is imperative that control compartments and circulating air passageways of the heater be kept clean.

CAUTION: Label all wires prior to disconnection when servicing controls. Wiring errors can cause improper and dangerous operation.

Verify proper operation after servicing.

WARNING: ELECTRICAL GROUNDING INSTRUCTION: THIS HEATER IS EQUIPPED WITH A THREE-PRONG PLUG FOR YOUR PROTECTION AGAINST SHOCK HAZARD AND SHOULD BE PLUGGED DIRECTLY INTO A PROPERLY GROUNDED THREE-PRONG RECEPTACLE.

NOTE: #PESBRO84 Blower may be used with Model FP-42-ZC.
Rating: 120 volts/60HZ/1.1 Amps.

See Figure 17, page 34 for wiring diagram.

NOTE: For convenience, allow licensed electrician to install properly grounded 3-prong receptacle near unit.

ROOM BLOWER INSTALLATION AND OPERATION INSTRUCTIONS

The room air blower is located at the rear of the unit in the bottom chamber. To remove or replace the blower, open lower louvered access door. The motor is located right center in rear. Remove the two (2) hex head screws holding the motor and motor bracket to the outer bottom of the unit. Unhook the two motor wires and remove the motor from the unit. Next remove the two (2) screws that fasten the motor bracket to the motor. Locate the motor bracket on the new motor in the same position as with the old. Using the two (2) hex head screws fasten the bracket to the new motor. Place new motor into the lower compartment. **NOTE:** Make sure the motor opening 1" x 5" is behind the inner wall of the stove and not touching any metal. Fasten the new motor and bracket to the motor support on the bottom of the unit. Hook the motor wires as shown in the diagram on page 35.

Installation and repairs should be performed by a qualified service person. The appliance should be inspected before use and at least annually by a professional service person. More frequent cleaning may be required due to excessive lint from carpeting, bedding material, etc. It is imperative that control compartments, burners and circulating air passageways of the appliance be kept clean.

IMPORTANT SAFEGUARDS

Although your gas logs are very realistic in appearance, it is not a real burning fireplace and must not be used for burning rejected material.

- To avoid irreparable damage to the heater or personal injury, matches, paper, garbage, or any other material **must not** be placed or thrown on top of the logs or into the flames.
- To avoid personal injury, do not touch hot surfaces when the heater is operating.
- Close supervision is necessary when the heater is being operated near children.

WARNING: THE LOGS ARE MANUFACTURED FROM BONDED CERAMIC FIBER. THIS IS A COMMONLY USED MATERIAL IN INDUSTRY WORLDWIDE. IN THE EVENT THAT A LOG SHOULD BE REMOVED, CARE SHOULD BE TAKEN NOT TO DAMAGE THE BONDED MATERIAL. INTENTIONAL MISUSE OR DELIBERATELY FRAGMENTING THE MATERIAL COULD LEAD TO INHALING FIBERS AND BE HAZARDOUS TO YOUR HEALTH.

THIS HEATER IS INTENDED FOR USE AS A GAS HEATER FIREPLACE AS DESCRIBED IN THESE INSTRUCTIONS. IT SHOULD NOT BE USED FOR ANY OTHER PURPOSE.

CLEANING

CAUTION: BEFORE CLEANING OR MOVING THESE LOGS OR OTHER PARTS OF THE HEATER, BE SURE TO READ THE ABOVE SECTIONS ON “IMPORTANT SAFEGUARDS.”

The appliance must be turned “OFF” before cleaning inside the firebox (burn area), make sure the pilot is “OFF” completely and the appliance has cooled.

- All cleaning should be carried out when the heater is cold. Limited cleaning is required with normal use. Dusting the front of the base, the top of the piezo cover, or the control knob panel may be required occasionally. Do not use cleaning fluids to clean the logs or any other part of the heater.
- If the flames show unusual shapes or behavior, or if burner fails to ignite properly, the burner holes may require cleaning. If this occurs, contact your nearest dealer to service the heater.
- The heater can be cleaned by removing the logs. Lift the logs gently, as not to damage the fiber pieces. The logs have been spot glued in place for shipping, use caution when removing. Lift each log by holding it carefully at each end. Use a vacuum cleaner to remove dust and loose particles from the base, logs and around the burner and ODS/Pilot. Gloves are recommended to prevent fibers from breaking the skin. If skin is broken, clean with soap and water.

WARNING: Failure to keep the primary air openings (s) of the burner (s) clean may result in sooting and property damage.

TROUBLE SHOOTING

WARNING

TURN OFF, UNPLUG HEATER AND LET COOL BEFORE SERVICING. ONLY A QUALIFIED SERVICE PERSON SHOULD SERVICE AND REPAIR HEATER.

CAUTION

NEVER USE A WIRE, NEEDLE, OR SIMILAR OBJECT TO CLEAN ODS/PILOT. THIS CAN DAMAGE ODS/PILOT.

OBSERVED PROBLEM	POSSIBLE CAUSE	SOLUTION
Igniter button is pressed, no spark at ODS/Pilot	<ol style="list-style-type: none"> 1. Igniter electrode positioned incorrectly. 2. Igniter electrode broken 3. Igniter electrode not connected to igniter cable 4. Igniter cable pinched or wet 5. Piezo igniter nut is loose 6. Broken igniter cable 7. Bad piezo igniter 	<ol style="list-style-type: none"> 1. Replace igniter 2. Replace igniter 3. Reconnect igniter cable 4. Free igniter cable if pinched by any metal or tubing. Keep igniter cable dry. 5. Tighten nut holding piezo igniter to heater cabinet. Nut is located inside heater cabinet at top. 6. Replace igniter cable 7. Replace piezo igniter

OBSERVED PROBLEM	POSSIBLE CAUSE	SOLUTION
Igniter button is pressed Spark at ODS/Pilot No Ignition	<ol style="list-style-type: none"> 1. Gas supply turned off or manual shutoff valve is closed 2. Control knob not in PILOT position 3. Control knob not pressed in while in PILOT position 	<ol style="list-style-type: none"> 1. Turn on gas supply or open manual shutoff valve 2. Turn control knob to PILOT position 3. Press in control knob while in PILOT position.

- | | |
|---|--|
| 4. Air in gas lines when installed | 4. Continue to hold down control knob. Repeat igniting operation until air is removed. |
| 5. Depleted gas supply | 5. Contact local propane gas company |
| 6. ODS/Pilot is clogged | 6. Clean ODS/Pilot or replace ODS/Pilot assembly |
| 7. Gas regulator setting is not correct | 7. Replace gas regulator |

OBSERVED PROBLEM	POSSIBLE PROBLEM	SOLUTION
ODS/PILOT lights but flame goes out when control knob is released	<ol style="list-style-type: none"> 1. Control knob is not fully pressed in 2. Control knob not pressed in long enough 3. Safety interlock system has been triggered (if equipped) 4. Manual shutoff valve not fully open 5. Thermocouple connection loose at control valve. 6. Pilot flame not touching thermocouple, which allows thermocouple to cool, causing pilot flame to go out. This problem can be caused by one or both of the following: <ol style="list-style-type: none"> A) low gas pressure B) dirty or partially clogged ODS/Pilot 7. Control valve damaged 	<ol style="list-style-type: none"> 1. Press control knob completely 2. After ODS/Pilot lights keep control knob pressed 30 seconds. 3. Wait 1 minute for safety interlock system to reset. 4. Fully open manual shutoff valve. 5. Hand tighten until snug, then tighten 1/4 turn 6. A) contact local propane gas company B) Clean ODS/Pilot (See Cleaning and Maintenance), or replace ODS/Pilot assembly 7. Replace valve control

OBSERVED PROBLEM	POSSIBLE CAUSE	SOLUTION
Burner does not light after ODS/ Pilot is lit	<ol style="list-style-type: none"> 1. Burner orifice is clogged 2. Inlet gas pressure is too low 	<ol style="list-style-type: none"> 1. Clean burner (see Cleaning and Maintenance) or replace burner orifice 2. Contact local propane gas company
Delayed ignition of burner	<ol style="list-style-type: none"> 1. Manifold pressure is too low 2. Burner orifice is clogged 	<ol style="list-style-type: none"> 1. Contact local propane gas company. 2. Clean burner (see Cleaning and Maintenance) or replace burner orifice
Burner backfiring during combustion	<ol style="list-style-type: none"> 1. Burner orifice is clogged or damaged 2. Burner damaged 3. Gas regulator defective 	<ol style="list-style-type: none"> 1. Clean burner (see Cleaning and Maintenance) or replace burner orifice 2. Replace burner 3. Replace gas regulator
Slight smoke or odor during initial operation	<ol style="list-style-type: none"> 1. Residues from manufacturing process 	<ol style="list-style-type: none"> 1. Problem will stop after a few hours of operation
Heater produces a whistling noise when burner is lit	<ol style="list-style-type: none"> 1. Turning control knob to HI position when burner is cold (if equipped with this type of valve) 2. Air in gas line 3. Air passageways on heater blocked 4. Dirty or partially clogged burner orifice 	<ol style="list-style-type: none"> 1. Turn control knob to LOW position and allow to warm 2. Operate burner until air is removed from line. Call local propane company to check gas line. 3. Observe minimum installation clearances 4. Clean burner or replace orifice

WARNING

IF YOU SMELL GAS:

- * **SHUT OFF GAS SUPPLY**
- * **DO NOT TRY TO LIGHT APPLIANCE**
- * **DO NOT TOUCH ANY ELECTRICAL SWITCH; DO NOT USE ANY PHONE IN YOUR BUILDING**
- * **IMMEDIATELY CALL YOUR GAS SUPPLIER FROM A NEIGHBOR'S PHONE. FOLLOW THE GAS SUPPLIER'S INSTRUCTIONS.**
- * **IF YOU CANNOT REACH YOUR GAS SUPPLIER, CALL THE FIRE DEPARTMENT.**

IMPORTANT: Operating heater where impurities in the air exist may create odors. Cleaning supplies, paint, paint remover, cigarette smoke, cements and glues, new carpet or textiles, etc. create fumes. These fumes may mix with combustion air and create odor.

OBSERVED PROBLEM	POSSIBLE CAUSE	SOLUTION
Heater produces a clinking/ticking noise just after burner is lit or shut off	1. Metal expands while heating or contracts while cooling.	1. This is common with most heaters. If noise is excessive, contact a qualified service person.
Heater produces unwanted odors	1. Heater burning vapors from paint, hairspray, glues, etc. (See Important above) 2. Low fuel supply 3. Gas leak (See WARNING above)	1. Ventilate room. Stop using odor causing products while heater is running. 2. Refill supply tank. 3. Locate and control all leaks. See Checking Gas Connections.
Heater shuts off in use (ODS operates)	1. Not enough fresh air is available. 2. Low line pressure 3. ODS/Pilot is partially clogged	1. Open window/door for ventilation 2. Contact local propane co. 3. Clean ODS/Pilot
Gas odor even when control knob is in OFF position	1. Gas leak (See WARNING , above). 2. Control valve defect	1. Locate and correct all leaks (see Checking Gas Connections) 2. Replace control valve
Gas odor during combustion	1. Foreign matter between control valve and burner 2. Gas leak (See WARNING , above).	1. Remove foreign matter from gas tubing 2. Locate and correct all leaks (see Checking Gas Connections).

SERVICING

Repair and replacement work should only be performed by a qualified service technician.

Always shut off the gas supply and make sure heater is cool before beginning any service operation. Check for gas leaks after servicing.



REPAIR PARTS



A parts list with exploded view follows. Always include correct name, part number, and model number of the heater when ordering service parts. Please contact your local dealer or distributor when ordering . If one is not available, you may contact.

New Buck Corporation
200 Ethan Allen Drive
P.O. Box 69
Spruce Pine, NC 28777

REPLACEMENT PARTS

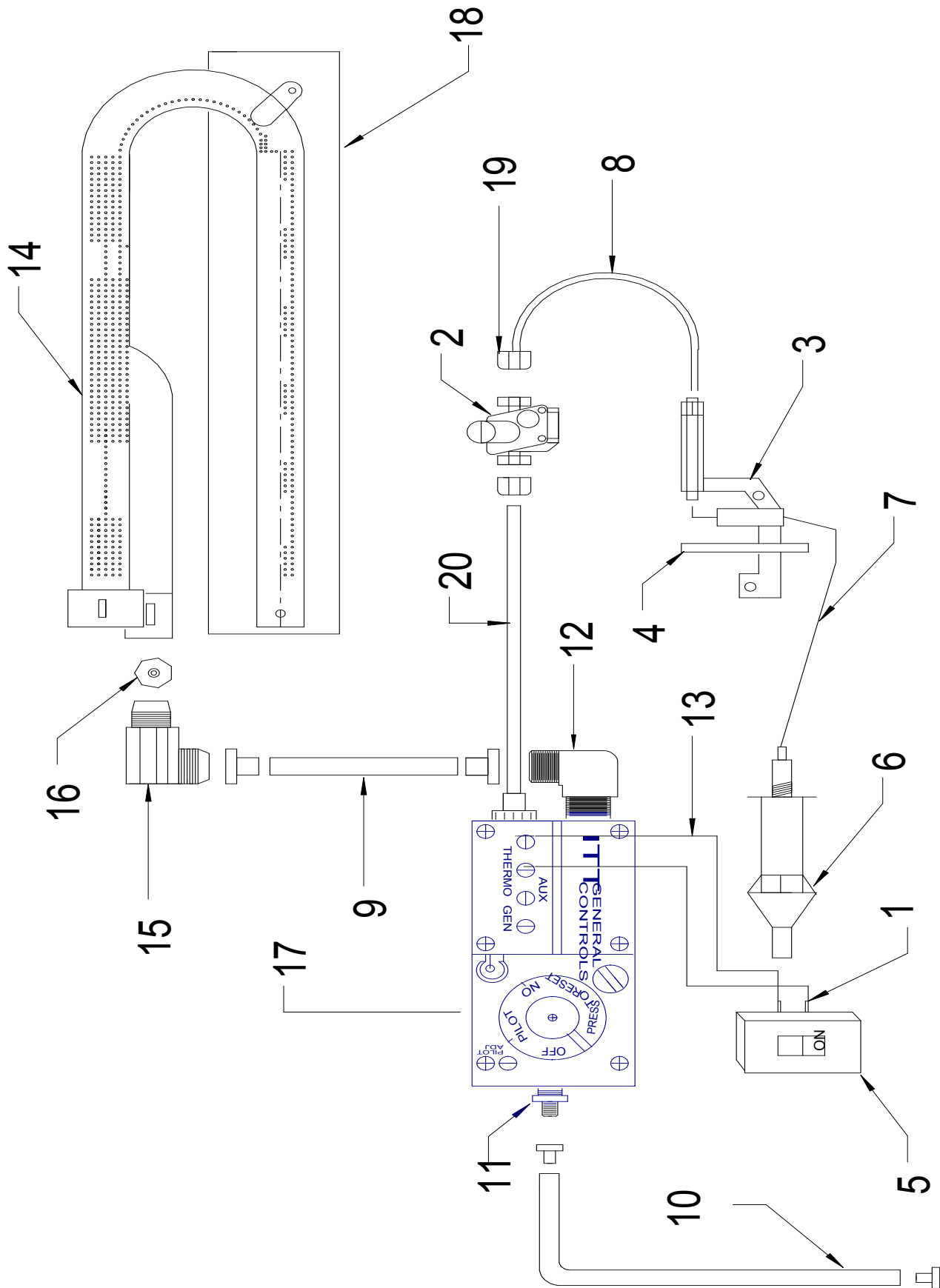
ITT VALVE

(Picture on page 44)

KEY#	PART DESCRIPTION	PART NUMBER
1.	Female Terminals	PE 5X42
2.	Regulator (LP) Maxitrol	PE RV 12LF90
2.	Regulator (NAT.) Maxitrol	PE RV 12LF30
3.	Pilot (NAT.) Copreci	PE 2150053 - NAT.
3.	Pilot (LP) Copreci	PE 2150054 - LP
4.	Generator ITT	PE G251F245
5.	Carling Switch	PE RA911VB
6.	Piezo Striker	PE 124461
7.	Piezo 14" Igniter Wire	PE UL3304
8.	Pilot Tube 1/4"	MF 147AL
9.	Burner Tube 3/8"	PO 38117ALMTUB
10.	3/8" Supply Tube	PO 38812ALMTUB
11.	3/8" IPT Male & Female Connector	PH 4866
12.	3/8" x 3/8" Elbow (Brass)	PH 4966
13.	Jumper Wire 6"	PE 65 JUMPER
14.	Burner	PO DTBURN
15.	Orifice Holder	PO 54ORFHL
16.	Orifice	PO ORIFICE
17.	Valve (LP) ITT	PE B67SA-233
17.	Valve (NAT.) ITT	PE B67RA-234
18.	Burner Base	PO 300010
19.	1/8" x 1/4" Compression Adapter	PH 6842
20.	Regulator Tube 1/4"	MF 147AL

OTHER PARTS (NOT SHOWN)

21.	Fan Motor	PE SBRO84
22.	Power Cord	PE 400240
23.	Strain Release	PE 400320
24.	Thermostat	PE 400130
25.	Male Terminals	PE 5X428
26.	Jumper Wire 12"	PE 12JUMPER
27.	Gas Log Set	PO C-3329
28.	Fan Speed Control Label	PE KB9724
29.	Rheostat	PE 204
30.	Rheostat Knob	PE 204A
31.	Heyco 1-1/4" Grommet	PO HEYCO2883



REPLACEMENT PARTS

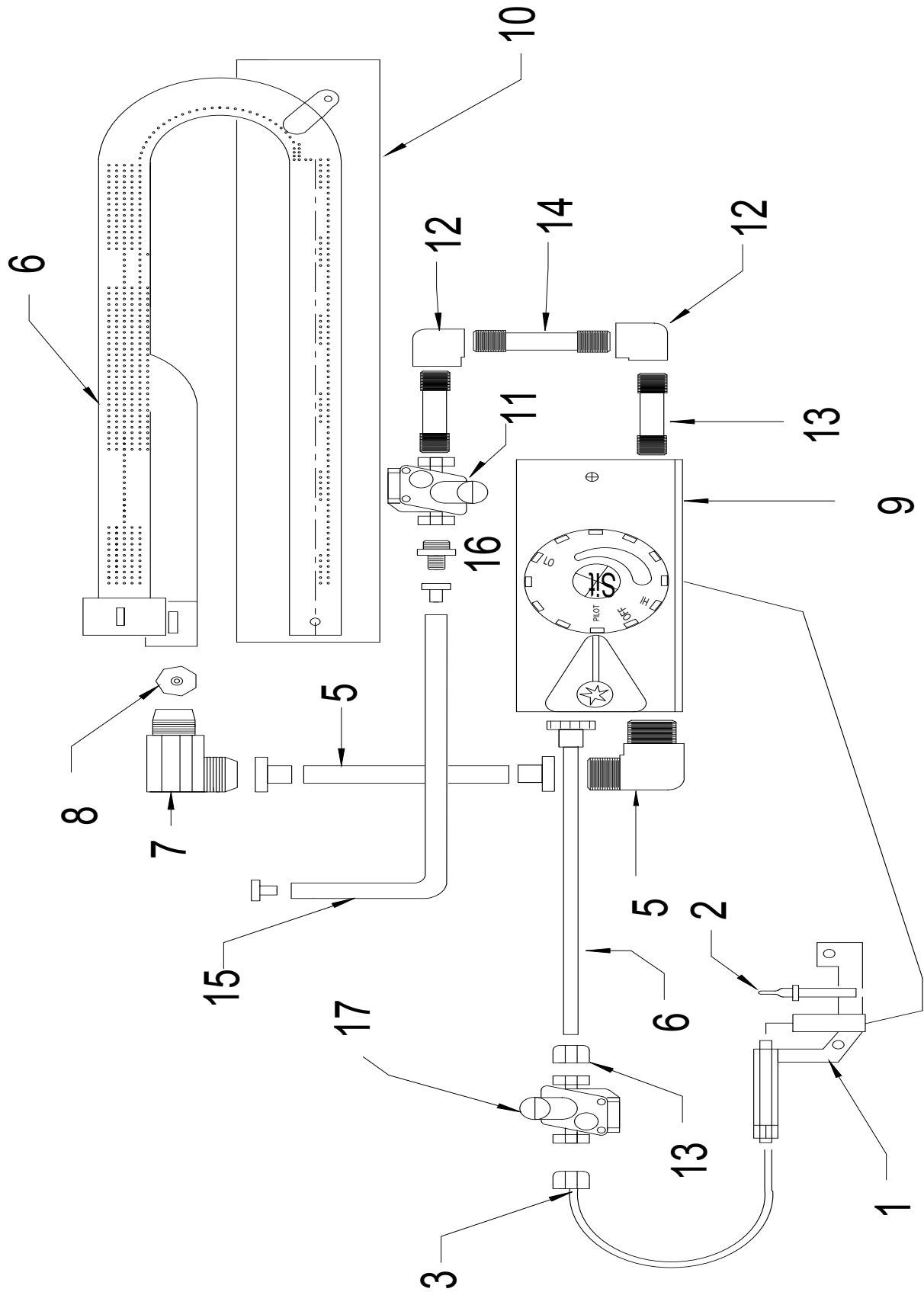
SIT MODULATING OR SIT MANUAL

(Picture on page 46)

KEY#	PART DESCRIPTION	PART NUMBER
1.	Pilot (NAT.) Copreci	PE 2150053 - NAT.
1.	Pilot (LP) Copreci	PE 2150054 - LP
2.	Thermopile (Copreci)	PE TPT100 / 90
3.	Pilot Tube 1/4"	MF 147AL
4.	Burner Tube 3/8"	PO 381434ALMTUB
5.	3/8" x 3/8" Elbow	PH 4966
6.	Burner	PO DTBURN
7.	Orifice Holder	PO 54ORFHLD
8.	Orifice	PO ORIFICE
9.	Valve (LP) SIT(Modulating)	PE 0630504
9.	Valve (NAT.) SIT(Modulating)	PE 0630504
9A.	Valve (LP) SIT (Manual)	PE0630.522
9A.	Valve (NAT.) SIT (Manual)	PE0630.522
10.	Burner Base	PO 300010
11.	Valve Regulator (LP) Maxitrol	PE RV20LF90
11.	Valve Regulator (NAT.) Maxitrol	PE RV20LF35
 Black Pipe:		
12.	3/8" 90 Degree Elbows (2)	PO 3890ELB
13.	3/8" x 1-1/2" Nipples (1)	PO 38112BINIP
14.	3/8" x 3-1/2" Nipples (2)	PO 38312BINIP
15.	3/8" Supply Tube	PO 381434ALMTUB
16.	3/8" IPT Male & Female Connector	PH 4866
17.	Pilot Regulator (LP) Maxitrol	PE RV 122F90
17.	Pilot Regulator (NAT.) Maxitrol	PE RV 122F30

OTHER PARTS (NOT SHOWN)

18.	Fan Motor	PE SBRO84
19.	Power Cord	PE 400240
20.	Strain Release	PE 400320
21.	Thermostat	PE 400130
22.	Male Terminals	PE 5X428
23.	Jumper Wire 12"	PE 12JUMPER
24.	Gas Log Set	PO C-3329
25.	Fan Speed Control Label	PE KB9724
26.	Rheostat	PE 204
27.	Rheostat Knob	PE 204A
28.	Heyco 1-1/4" Grommet	PO HEYCO2883

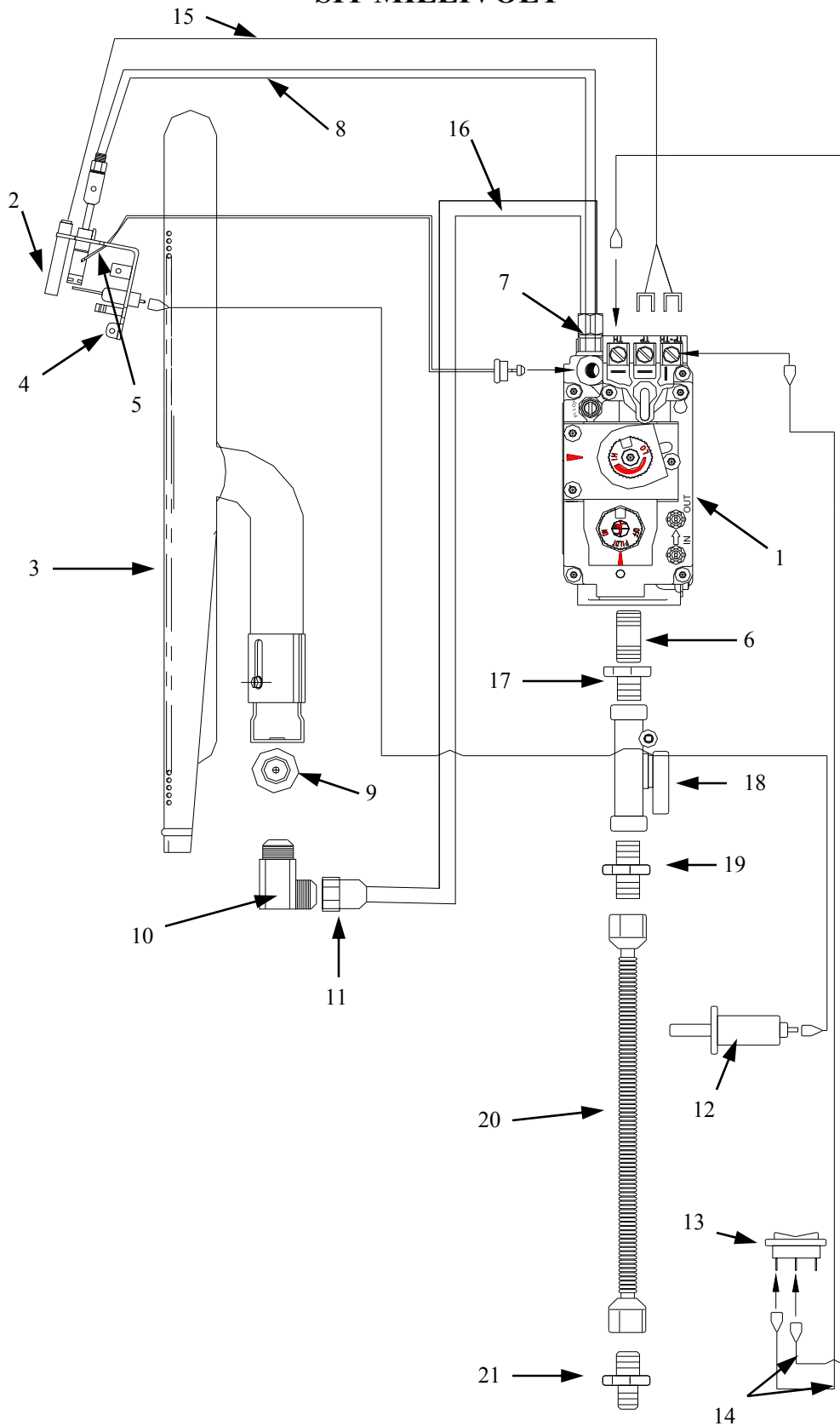


REPLACEMENT PARTS SIT MILLIVOLT VALVE

Picture on Page 48

KEY#	PART DESCRIPTION	PART NUMBER
1.	820 MV. S.I.T. VALVE	LP-PE 820636
2.	GENERATOR	NAT- PE 820637
3.	BURNER TUBE	(PILOT ASSEMBLY) PO DTBURN
4.	O.D.S PILOT (L.P.) O.P. ASSEMBLY	PE 8404C
	O.D.S PILOT (NAT.) O.P. ASSEMBLY	PE 8204C
5.	THERMO-COUPLE	(PILOT ASSEMBLY)
6.	2"-3/8" BLACKIRON NIPPLE	PO 382BINIP
7.	BURNER SUPPLY LINE ELBOW	PH4966
8.	21" PILOT TUBE 3/16"	MF 31621ALMTUB
9.	ORIFICE	PO ORIFICE
10.	ORIFICE HOLDER	PO 54ORFHLD
11.	3/8" NUT & SLEEVE	PH 616 & PH 606
12.	PIEZO STRIKER	PE 124461
13.	CARLING SWITCH (AUTO/OFF/MANUAL)	PE RC211RB
14.	12" SWITCH WIRES	PE 12JUMPER
15.	12" GENERATOR WIRE	(PILOT ASSEMBLY)
16.	14 3/4" x 3/8" BURNER SUPPLY TUBE	PO 381434ALMTUB
17.	3/8" FIP TO 1/2" MPT PIPE BUSHING	PH 11086
18.	1/2" BALL VALVE WITH PRESSURE TAP	PO 110-553
19.	1/2" FLARE TO 1/2" STRAIGHT	(FLEX LINE ASSEMBLY)
20.	1/2" FLEX LINE	PO 20-213-12
21.	1/2" FLARE TO 3/8" FLARE	PH 4286

SIT MILLIVOLT



REPLACEMENT PARTS FOR EMBER STOVE BASE (ESB)

(PICTURE ON PAGE 50)

A parts list with exploded view follows. Always include correct name, part number, and model number of the heater when ordering service parts.

KEY#	PART DESCRIPTION	PART NUMBER
	SIT - MILLIVOLT	
1.	O.D.S. PILOT (L.P.) O.P. ASSEMBLY	PE 8404C
1.	O.D.S. PILOT (NAT) O.P. ASSEMBLY	PE 8204C
2.	GENERATOR ASSEMBLY	(Part of Pilot Assembly)
3.	PILOT TUBE 3/16"	MF 31612 ALMTUB
4.	GENERATOR WIRE	(Part of Pilot Assembly)
5.	REAR BURNER	PO VE1002
	FRONT BURNER	PO 383436
6.	INLET ELBOW	PH 4966
7.	3/8" COMP. NUT & SLEEVE	PH 616 & PH 606
8.	3/8" BURNER SUPPLY TUBE (FLEX) - 3 pieces 12"	PO T6-12
9.	24" SWITCH WIRES	PE 30JUMPER
10.	CARLING SWITCH (AUTO/OFF/MANUAL)	PE RC211RB
11.	PIEZO STRIKER	PE 124461
12.	PIEZO 18" IGNITOR WIRE	PE 8400-014
13.	MALE RUN TEE FITTING	PH 64A-66
14.	THERMO-COUPLE	
15.	MANIFOLD OUTLET CONNECTOR	PH 68A-6C
16.	ORIFICES <u>L.P.</u>	
	FRONT #1.25mm	PO 125 MVORF
	REAR #.046"	PO 046 MVORF
	<u>NATURAL</u>	
	FRONT #2.05mm	PO 205 MVORF
	REAR #48	PO 48 MVORF
17.	820 mv. S.I.T. VALVE	LP - PE 820-636 NAT - PE 820-637
18.	8"L 3/8" BURNER SUPPLY LINE (3/4"-3/8" FLARE/3/8" COMP. N&S FITTINGS)	MF382ALMTUB

*

LOG SET

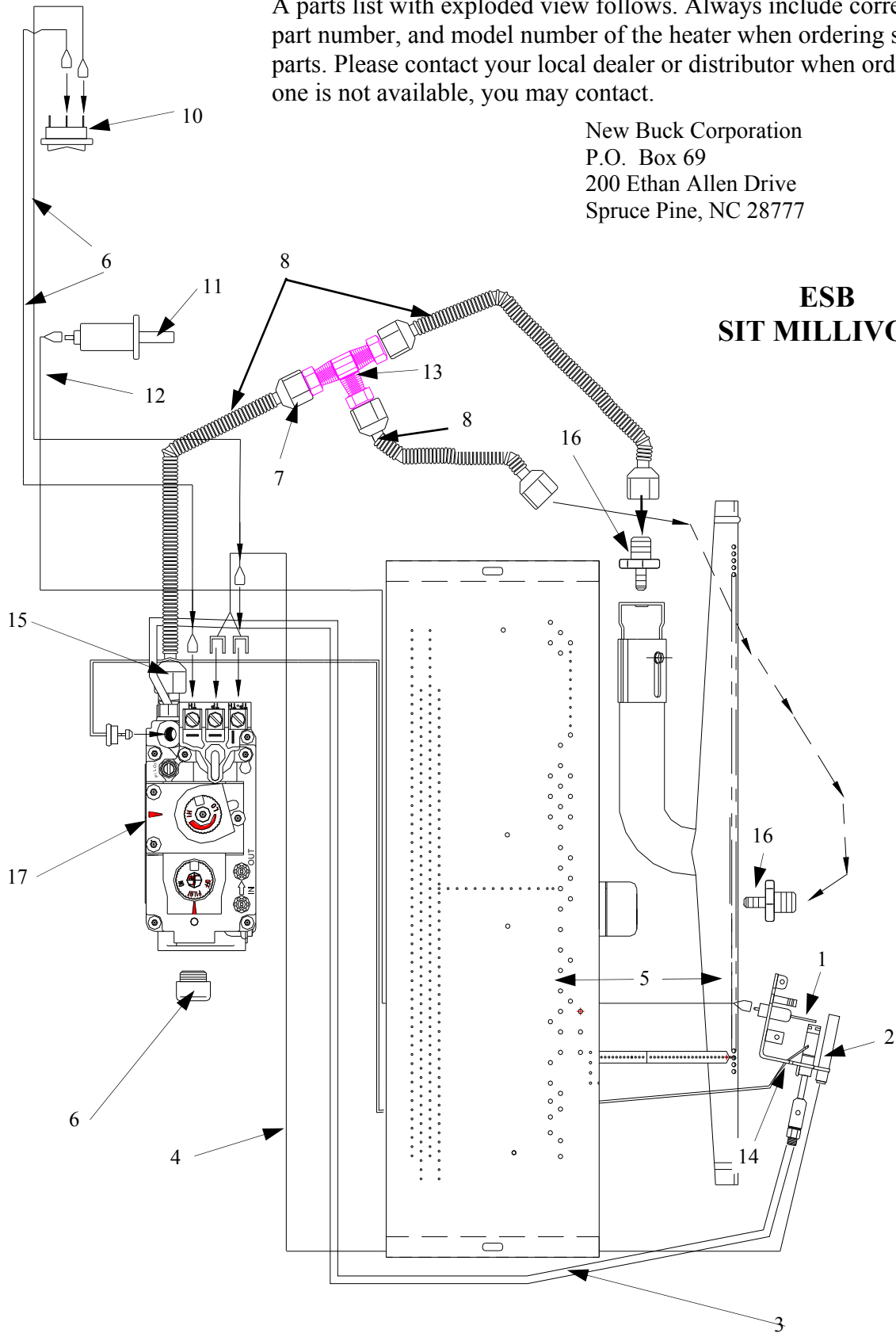
EMBER STOVE BASE (CERAMIC)

REPAIR PARTS

A parts list with exploded view follows. Always include correct name, part number, and model number of the heater when ordering service parts. Please contact your local dealer or distributor when ordering. If one is not available, you may contact.

New Buck Corporation
P.O. Box 69
200 Ethan Allen Drive
Spruce Pine, NC 28777

**ESB
SIT MILLIVOLT**



NEW BUCK CORPORATION

We reserve the right to amend these specifications at any time without notice. The only warranty applicable is our standard written warranty. We offer no other warranty, expressed or implied.

LIMITED WARRANTY

MODEL FP-42-ZC

New Buck warrants this product to be free from defects in materials and components for two (2) years from the date of first purchase, provided that the product has been properly installed, operated, and maintained in accordance with all applicable instructions. To make a claim under this warranty the Bill of Sale or canceled check must be presented.

This warranty is extended only to the original retail purchaser and covers the cost of parts required to restore the heater to proper condition. Warranty parts **MUST** be obtained through an authorized Buck Stove dealer and/or New Buck, who will provide original factory replacement parts. Failure to use original factory replacement parts voids this warranty. The heater must be installed by a qualified installer in accordance with all local codes and instructions furnished with the unit.

Warranty does not apply to parts that are not in original condition, normal wear and tear, or parts that fail or become damaged as a result of misuse, accidents, lack of proper maintenance or defects caused by improper installation.

WARRANTY DOES NOT COVER:

- Removal and re-installation cost
- Labor costs for replacements or repairs
- Transportation
- Cost of service call to diagnose trouble
- Painted surfaces
- Damage or defect caused by improper installation, accident, misuse, abuse, or alteration

TO THE FULL EXTENT ALLOWED BY THE LAW OF THE JURISDICTION THAT GOVERNS THE SALE OF THE PRODUCT, THIS EXPRESS WARRANTY EXCLUDES ANY AND ALL OTHER EXPRESSED WARRANTIES AND LIMITS THE DURATION OF ANY AND ALL WARRANTIES, INCLUDING WARRANTIES OF MERCHANTABILITY AND FITNESS FOR A PARTICULAR PURPOSE TO ONE (1) YEAR FROM THE DATE OF FIRST PURCHASE. NEW BUCK LIABILITY IS HEREBY LIMITED TO THE PURCHASE PRICE OF THE PRODUCT AND NEW BUCK SHALL NOT BE LIABLE FOR ANY OTHER DAMAGES WHATSOEVER INCLUDING INCIDENTAL OR CONSEQUENTIAL DAMAGES.

Some states do not allow a limitation on how long an implied warranty lasts or an exclusion or limitation of incidental or consequential damages, so the above limitation on implied warranties, or exclusion on damages may not apply to you.

This warranty gives you specific legal rights. Other rights may vary from state to state.