

TUNGSTEN SMART-HEAT™ PORTABLE

Its neutral black finish and award-winning design make it a piece of modern art. The Tungsten Smart-Heat™ Portable heater offers efficient directional heat and is a versatile heating solution for any outdoor settings. Its modular construction with built-in wheels allows for easy manoeuvrability in tighter spaces.

ANGLED BRACKET
Provides flexibility
of heat direction

**ADJUSTABLE
HEAT CONTROLS**
Offers ease of
operation and precise
heat comfort levels

**MODULAR
CONSTRUCTION**
For simple storage

UNIQUE DESIGN
Honeycomb fascia
facilitates precise
heat distribution

SAFETY FEATURE
Anti tilt shut off

CONTOURED DESIGN
Allows for superior
wind resistance

PORTABLE
For ease of movement

SPECIFICATIONS

Reference the specification guide below to help you select the correct solution for your needs.

MODEL NUMBER

PRODUCT CODE	BH0510001 BH0510005
FUEL TYPE	LPG NG
COLOR	BLACK
HEAT AREA	215FT ²
ELECTRICAL CONNECTION	-
MINIMUM CEILING CLEARANCE	36"
OUTPUT	38,500 BTU

MOUNTING OPTIONS

CEILING MOUNT	-
WALL MOUNT	-
RECESSED FLUSH MOUNT	-
CEILING POLE MOUNT	-
FREESTANDING	✓

CONTROL OPTIONS

ON OFF	-
DIMMER	-
MASTER REMOTE	-

ADDITIONAL OPTIONS

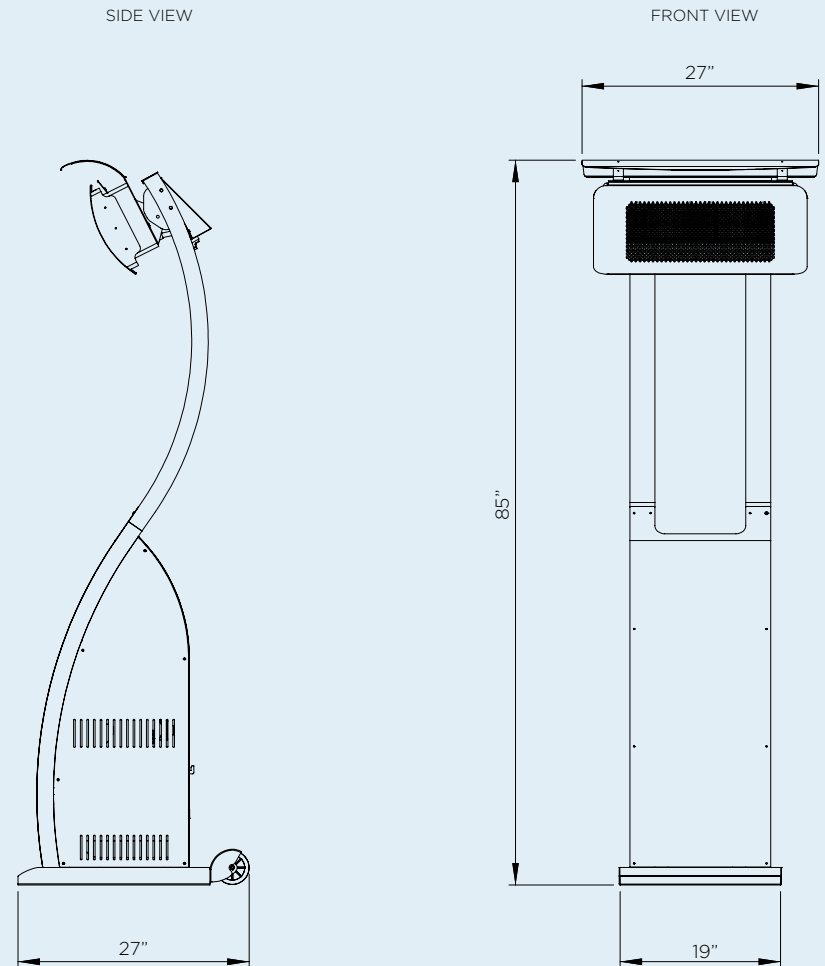
HEATER COVER PRODUCT CODE	BH3030010
---------------------------	-----------

Measurements displayed within this document are minimum requirements for installation. Bromic takes no responsibility for incorrect or non-compliant installations. All measurement in this document are displayed in inches.

DIMENSIONS

With a wide range of sizes available, find the ideal heater to suit your outdoor space.

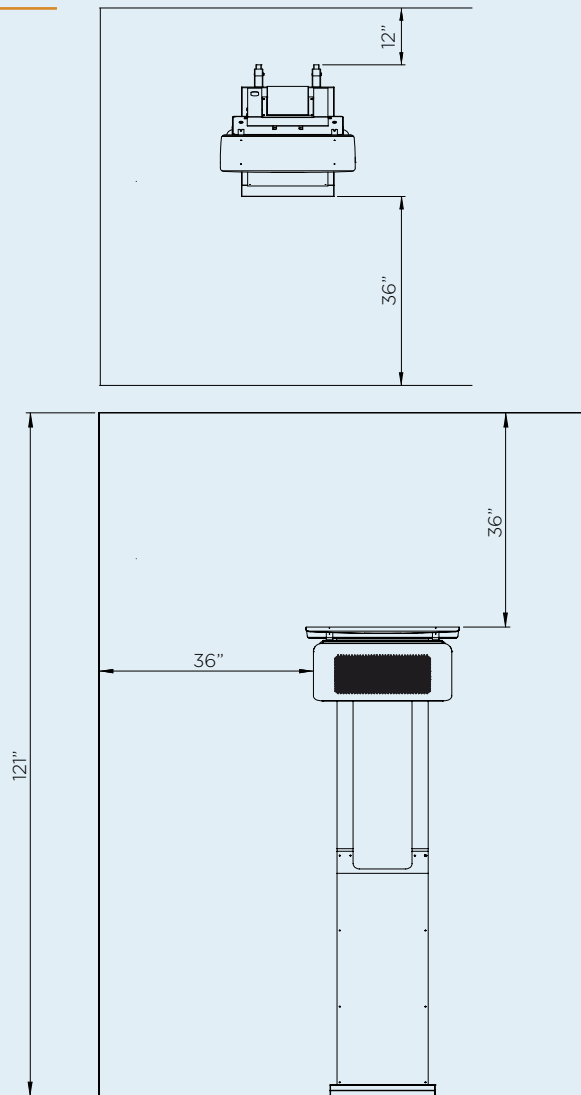
PROFILE



CLEARANCE

With a wide array of mounting options, Bromic offers solutions to compliment any décor and provide functionality for ambiance and comfort.

CEILING & WALL CLEARANCE



HEATING REACH

Creating ideal comfort levels, Bromic heaters offer a variety of heat distribution options to suit your outdoor heating needs.

HEAT AREAS

TUNGSTEN PORTABLE
HEATING APPROXIMATELY 215FT²
38,500 BTU HEATING POWER

