



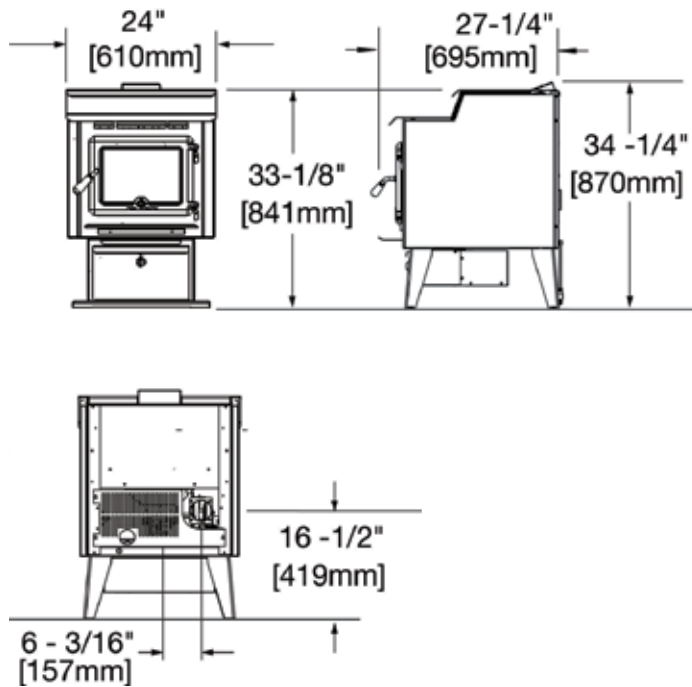
# TN40 PELLET STOVE



# TN40 PELLETT STOVE

Simple to operate and easy to maintain, True North pellet stoves are a clean burning, low emissions biofuel heating alternative for your home. Engineered for superior performance and durability, the TN40 is constructed from heavy gauge steel and features a wide firepot to deliver rich, full flames.

<b>BTU Input Range</b>	<b>10,000 – 40,000</b>
<b>BTU EPA Listed</b>	<b>7,400 – 28,200</b>
<b>Efficiency (LHV)</b>	<b>78.9 %</b>
<b>Efficiency (B415)</b>	<b>72.2 %</b>
<b>Emissions</b>	<b>1.36 g/hr.</b>
<b>Hopper Capacity</b>	<b>up to 80 lb.</b>



## STANDARD FEATURES

- EPA Certified
- Easy access digital controls
- Simple 3-mode operation: automatic\*, manual, hi/low\*  
\* when equipped with a thermostat
- Convenient 5 level heat control
- Optional wall thermostat capable operation
- Automatic igniter
- Stainless steel burn pot liner
- Ash pan for easy disposal
- Easy opening hopper lid for convenient refueling
- Hopper lid safety shut-off switch
- Clean glass air-wash technology
- Mobile home approved
- Limited Warranty

## DESIGN OPTIONS

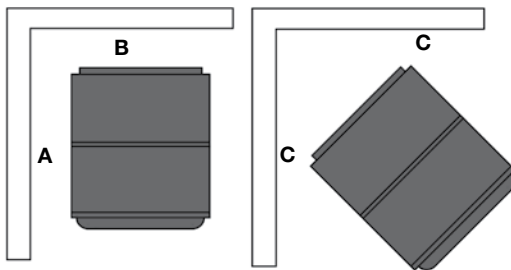
- Choice of leg model or pedestal model

## PERFORMANCE OPTIONS

- Use PFI premium wood pellets.

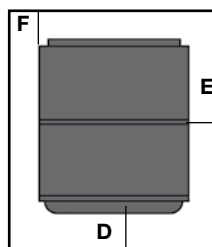


## MINIMUM CLEARANCES TO COMBUSTIBLE MATERIALS



- A. Sidewall to Unit 6 in / 152 mm
- B. Backwall to Unit 3 in / 76 mm
- C. Corner to Unit 3 in / 76 mm

## MINIMUM NON-COMBUSTIBLE FLOOR PROTECTION DISTANCES



- D. 6 in / 152 mm
- E. 2 in / 50 mm
- F. 3 in / 76 mm

Minimum Clearances from top of Hopper Lid to Ceiling = 50.75 in / 1.29 m



SKU: 33900003 – 12/18/10M – Printed in Canada