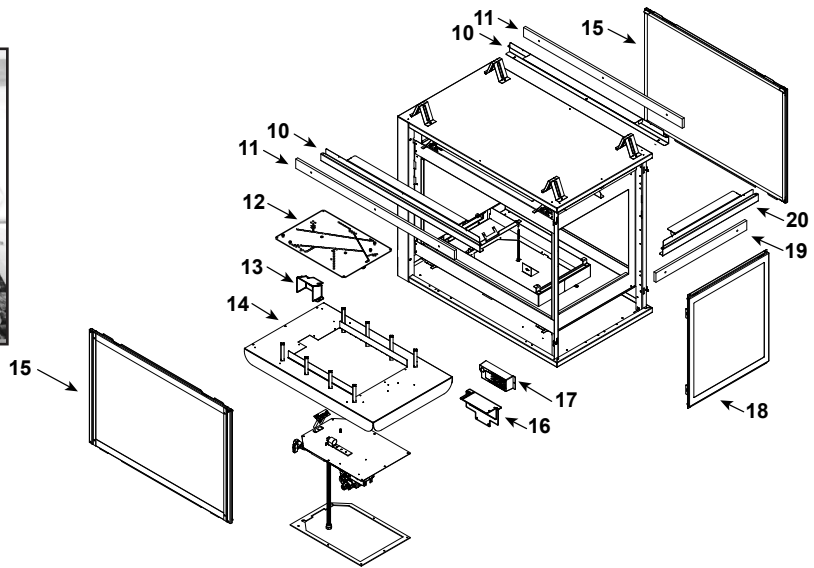
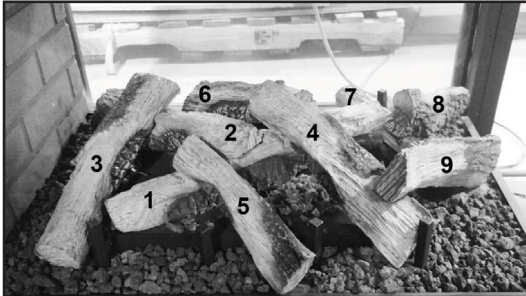




Pearl 36" Peninsula Gas Fireplace - DV

Log Assembly



IMPORTANT: THIS IS DATED INFORMATION. Parts must be ordered from a dealer or distributor. **Hearth and Home Technologies does not sell directly to consumers.** Provide model number and serial number when requesting service parts from your dealer or distributor.

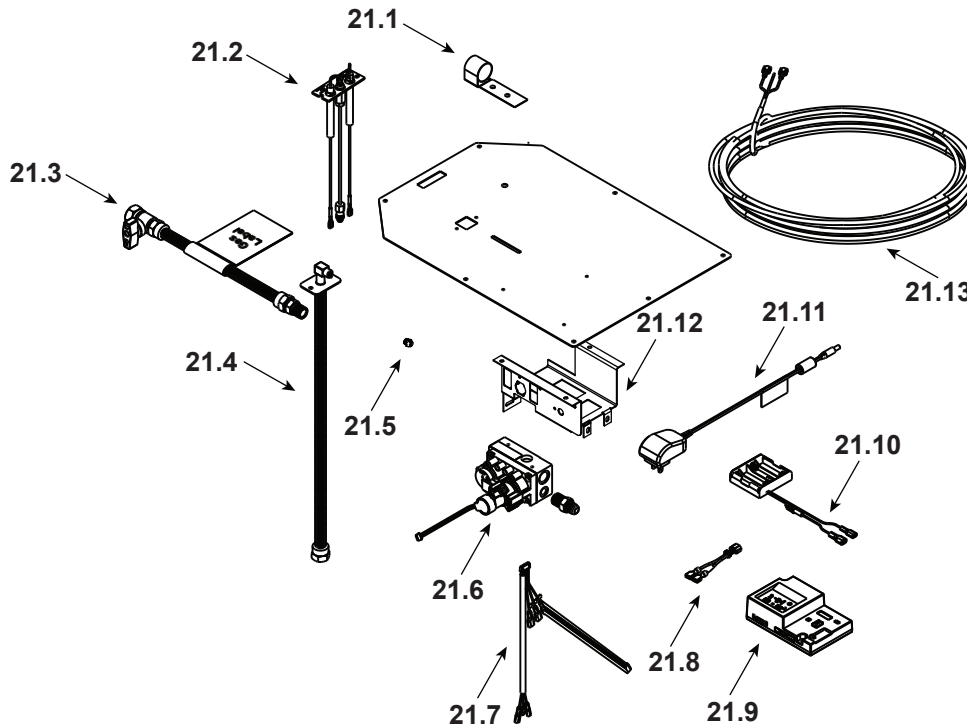


Stocked at Depot

| ITEM | DESCRIPTION | COMMENTS | PART NUMBER | |
|------|---|-----------|--------------|---|
| | Log Set Assembly | | LOGS36MS | Y |
| 1 | Log 1 | | SRV2478-701 | |
| 2 | Log 2 | | SRV2478-702 | |
| 3 | Log 3 | | SRV2478-703 | |
| 4 | Log 4 | | SRV2478-706 | |
| 5 | Log 5 | | SRV2478-705 | |
| 6 | Log 6 | | SRV2478-704 | |
| 7 | Log 7 | | SRV2478-707 | |
| 8 | Log 8 | | SRV2478-708 | |
| 9 | Log 9 | | SRV2272-709 | |
| 10 | Sheetrock Ledge (side) | Qty 2 req | 2130-118 | |
| 11 | Non-Comb, Long | Qty 2 req | 2130-199 | |
| 12 | Burner NG, Propane | | 2478-007 | Y |
| 13 | Pilot Shield | | 2128-124 | |
| 14 | Base Pan/Grate Assembly | | 2478-005 | |
| 15 | Glass Door Assembly (Side) | Qty 2 req | GLA-6TROC | Y |
| 16 | Junction Box bracket | | 2128-128 | |
| 17 | Junction Box | | SRV4021-013 | Y |
| 18 | Glass Door Assembly (End) | | GLA-2130 | Y |
| 19 | Non- Comb, Short | | 2130-197 | |
| 20 | Sheetrock Ledge (End) | | 2130-126 | |
| | Refractory Panel | | 2128-116 | |
| | Surround Overlay (contains overlay for top, bottom and sides) | | SRV2130-FACE | |



#21 Valve Assembly



IMPORTANT: THIS IS DATED INFORMATION. Parts must be ordered from a dealer or distributor. **Hearth and Home Technologies does not sell directly to consumers.** Provide model number and serial number when requesting service parts from your dealer or distributor.



Stocked at Depot

| ITEM | DESCRIPTION | COMMENTS | PART NUMBER | |
|-------|-------------------------------------|----------------------------------|-------------|---|
| 21.1 | Shutter Bracket Assembly | | 2118-121 | Y |
| 21.2 | Pilot Assembly NG | | 2478-012 | Y |
| | Pilot Assembly Propane | Convert 2478-012 with SRV593-527 | | |
| 21.3 | Flex Ball Valve Assembly | | SRV302-320 | Y |
| 21.4 | Flexible Gas Connector | | 530-302A | Y |
| 21.5 | Orifice NG (#32C) | | SRV582-832 | Y |
| | Orifice Propane (#50C) | | 582-850 | Y |
| 21.6 | Valve NG | | 2166-302 | Y |
| | Valve Propane | | 2166-303 | Y |
| 21.7 | Harness, IFT 6 Pin Wiring | | SRV2326-132 | Y |
| 21.8 | Jumper Wire | | SRV2187-198 | Y |
| 21.9 | Module, IFT Control | | SRV2326-130 | Y |
| 21.10 | Battery Holder 4AA, IFT | | SRV2326-134 | Y |
| 21.11 | Transformer, 6 Volt Wall | | SRV2326-131 | Y |
| 21.12 | Valve, Bracket | | 2118-104 | |
| 21.13 | Thermostat Wire Assembly, Male/Male | | SRV2118-170 | Y |

Additional service part numbers appear on following page.

