



Service Parts

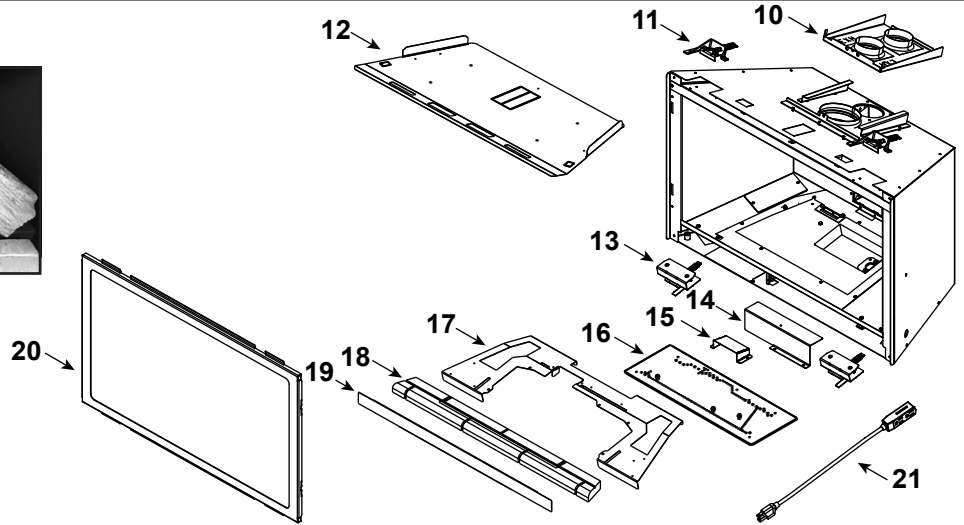
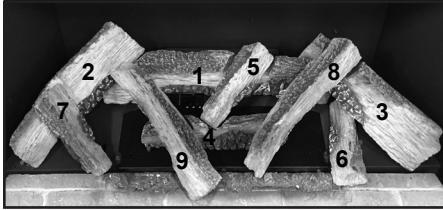
RUBY35IN, RUBY35IL

Ruby 35" Gas Insert - DV

Beginning Manufacturing Date: March 2019

Ending Manufacturing Date: Active

Log Set Assembly



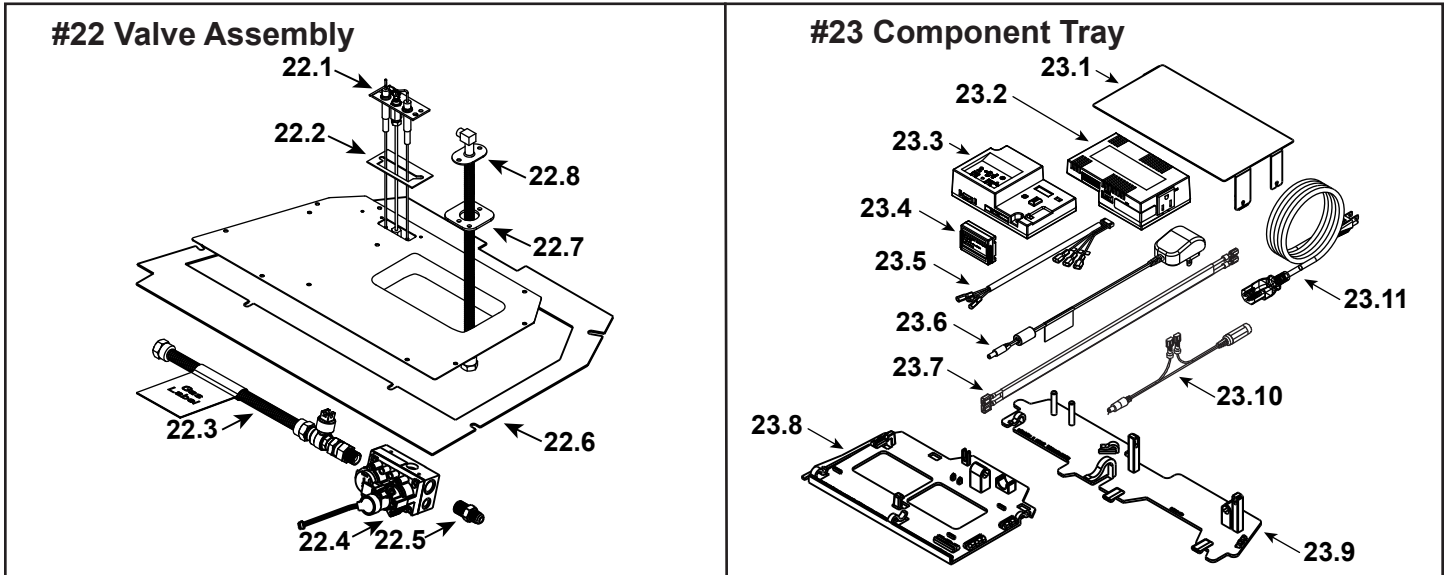
IMPORTANT: THIS IS DATED INFORMATION. Parts must be ordered from a dealer or distributor. **Hearth and Home Technologies does not sell directly to consumers.** Provide model number and serial number when requesting service parts from your dealer or distributor.



Stocked at Depot

ITEM	DESCRIPTION	COMMENTS	PART NUMBER	Stocked at Depot
	Log Assembly (Hearth Refractory not Included)		LOGS-2544	Y
1	Log 1		SRV2544-711	
2	Log 2		SRV2544-715	
3	Log 3		SRV2544-712	
4	Log 4		SRV2544-716	
5	Log 5		SRV2542-717	
6	Log 6		SRV2542-717	
7	Log 7		SRV2542-717	
8	Log 8		SRV2540-713	
9	Log 9		SRV2540-713	
10	Slide Plate Assembly		2532-014	
	Tool, Slide Plate (Multi-purpose)		2532-140	
	Gasket		2532-113	
11	Glass Clip Assembly, Top	Qty 2 req	2155-046	
12	Baffle, Firebox		2533-138	
13	Glass Clip Assembly, Bottom	Qty 2 req	2532-009	
14	Air Scoop		2532-135	
15	Pilot Shield		2532-153	
16	Burner Assembly		2544-007	Y
17	Base Pan		2544-130	
18	Hearth Refractory (Not for use with BRICKMI35TB/BRICKMI35CR)		SRV2544-704	
19	Seal, Glass Frame		2533-122	
20	Glass Door Assembly		GLA-2533	Y
21	Power Cord		2201-024	Y
	Fan		GFK-160A	Y

Additional service part numbers appear on following page.



IMPORTANT: THIS IS DATED INFORMATION. Parts must be ordered from a dealer or distributor. **Hearth and Home Technologies does not sell directly to consumers.** Provide model number and serial number when requesting service parts from your dealer or distributor.



Stocked at Depot

ITEM	DESCRIPTION	COMMENTS	PART NUMBER	
22.1	Pilot Assembly NG		2550-013	Y
	Pilot Assembly Propane		2550-014	Y
22.2	Pilot Gasket		2532-134	
22.3	Flex Ball Valve Assembly		2532-081	Y
22.4	Valve NG		SRV2166-302	Y
	Valve Propane		2166-303	Y
22.5	Male Connector	Pkg of 5	303-315/5	Y
22.6	Gasket, Valve Plate		2532-131	
22.7	Gasket, Bulkhead		438-407	
22.8	Bulkhead w/Flex Tube		SRV7000-156	Y
	Orifice NG (#33C)		582-833	Y
	Orifice Propane (#50C)		582-850	Y
23.1	Component Heat Shield		2532-144	Y
23.2	Module, B Type AC		SRV2326-150	Y
23.3	Module, IFT Control		SRV2326-130	Y
23.4	Module, RF FCC		SRV2326-120	Y
23.5	Harness, IFT 6 Pin Wiring		SRV2326-132	Y
23.6	Transformer, 6 Volt Wall		SRV2326-131	Y
23.7	Jumper Wire, 36" Male/Female		2159-310	Y
23.8	Tray, Component		2532-170	Y
23.9	Wire Tray		2532-171	Y
23.10	Wall Switch Jumper Wire		SRV2179-300	Y
23.11	Cable, B Type AC Module		SRV2326-152	Y

Additional service part numbers appear on following page.

