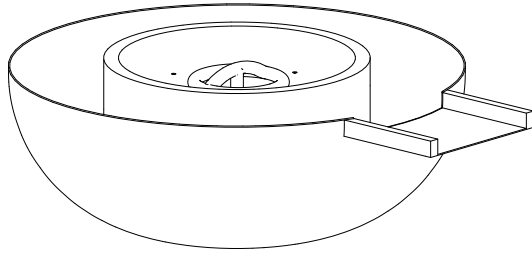
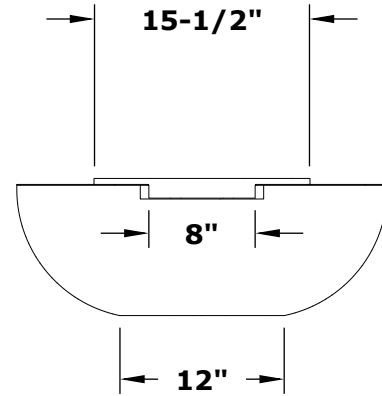


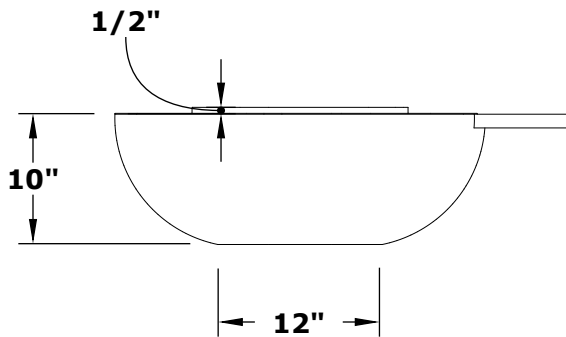
SEDONA FIRE & WATER GRAVITY SPILL BOWL- HAMMERED PATINA COPPER



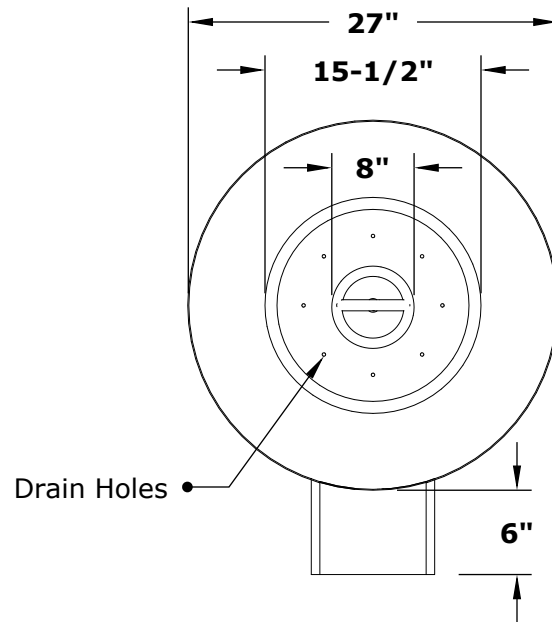
ISOMETRIC VIEW



FRONT SIDE VIEW



RIGHT SIDE VIEW



TOP SIDE VIEW

Includes: Bowl, Pan, Burner, Whistle Free Hoses, Orifice, Black Lava Rock.
Bowl Material: Copper
Bowl Finish: Patina Hammered Copper
Pan Material: 304 Stainless Steel
Burner Material: 304 Stainless Steel
BTU: 45,000

 **12V ELECTRONIC IGNITION**
ANSI Z21.97-(2017) / CSA 2.41-(2017)