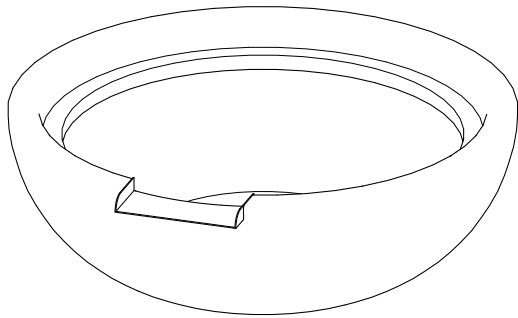
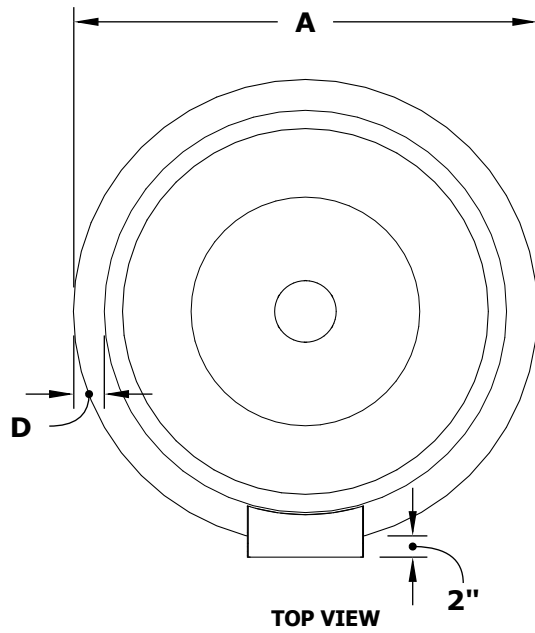


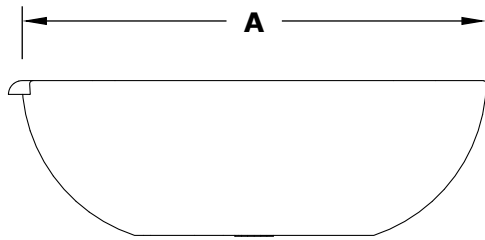
SEDONA CONCRETE PLANTER & WATER BOWL



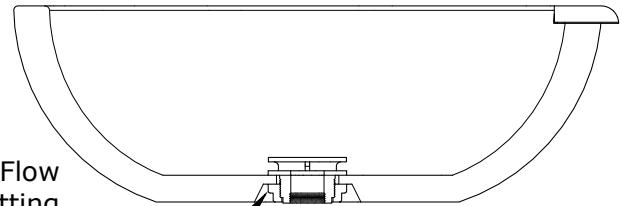
ISOMETRIC VIEW



TOP VIEW

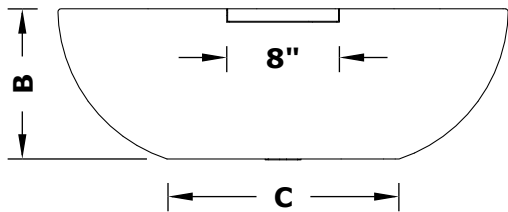


RIGHT SIDE VIEW

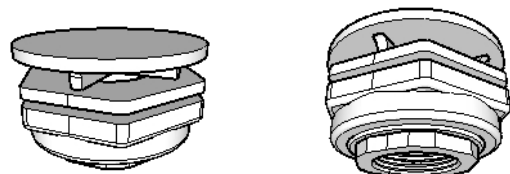


SECTION CUT

Smooth Flow Water Fitting (1 1/2" Connection)



FRONT SIDE VIEW



1 1/2" Inlet

SKU	A	B	C	D	GPM
OPT-27RPW	27"	10"	12"	2"	7-10
OPT-33RPW	33"	11"	18"	2"	7-10

Bowl Material: Wood Grain

Includes: Copper Spillway and Water Fitting Connection

