

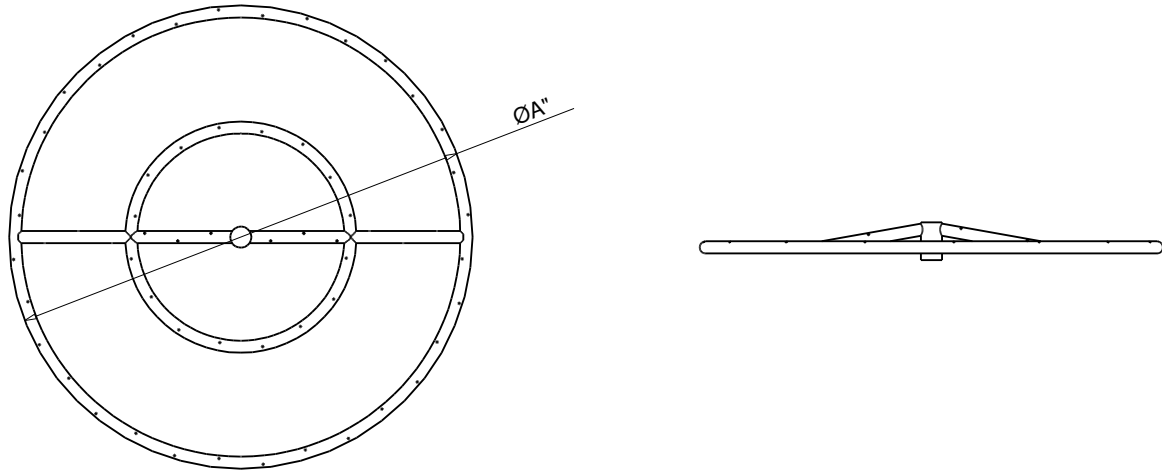


FIRE INSPIRED®

Hearth Products Controls Co
OUTDOOR USE ONLY

FOR COMMERCIAL AND RESIDENTIAL USE

HEARTH PRODUCTS CONTROLS
2225 LYONS RD.
MIAMISBURG, OH 45342
TOLL FREE: 877.585.9800
PHONE: 937.436.9800
www.hpcf.com



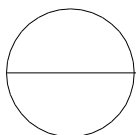
MODEL NUMBER	SIZE (A")	RECOMMENDED BTU	HUB SIZE	NUMBER OF RINGS
FRS6	6"	60K	1/2"	1
FRS12	12"	90K	1/2"	1
FRS18	18"	150K	1/2"	2
FRS24	24"	150K	1/2"	2
FRS24HC	24"	300K	3/4"	2
FRS30	30"	300K	1/2"	3
FRS30HC	30"	300K	3/4"	3
FRS36HC	36"	300K	3/4"	3
FRS48HC	48"	300K	3/4"	4

Material:

1. ALL BURNERS ARE 304 STAINLESS STEEL

Notes:

1. FOR USE WITH FIXED PIPING SYSTEMS ONLY.
2. ALL ENCLOSURES REQUIRE 4 each 18 SQ/IN VENTS ON OPPOSING SIDES AND ADEQUATE DRAINAGE.
3. RESIDENTIAL GAS PRESSURE ONLY. (NG- 7.0" WC, LP- 11.0" WC)
4. MODIFICATION OF PRODUCT WILL VOID ANY WARRANTY.
5. FOLLOW ALL MANUFACTURER INSTALLATION INSTRUCTIONS AND LOCAL CODES.
6. ALL DIMENSIONS ARE CONSIDERED TRUE AND REFLECT MANUFACTURER'S SPECIFICATIONS AS OF THE REVISION DATE.
7. DO NOT SCALE DRAWING.
8. THESE DRAWINGS ARE FOR SIZING AND PLANNING PURPOSES. ALL INFORMATION CONTAINED HEREIN WAS CURRENT AT THE TIME OF DEVELOPMENT. THE MANUFACTURER'S RESPONSIBLE FOR THE ACCURACY OF THE DRAWING.



ROUND BURNERS - 6/4/2020