

BROMIC[®]

HEATING

PLATINUM SMART-HEAT™ ELECTRIC HEATERS BY BROMIC

LOW CLEARANCE (LC) CEILING RECESS INSTALLATION INSTRUCTIONS

FOR MODELS 3400W & 2300W

WARNING

This heater **MUST** be permanently installed by an authorised/licenced person. Do not perform maintenance, or carry out installation or assembly procedure while electrical power is switched on. Wait 2 hours after switching off the heater before handling.

WARNING

Joists, beams and rafters shall not be cut or notched to install the heater.

WARNING

Instructions below are suitable for ceiling surfaces 10-30mm (0.39"-1.2") thick. For ceiling surfaces thicker than 30mm (1.2"), contact Bromic for alternative installation options.

WARNING

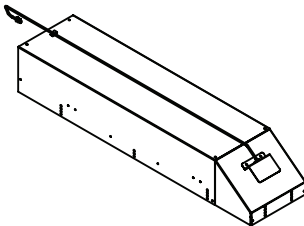
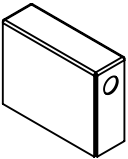
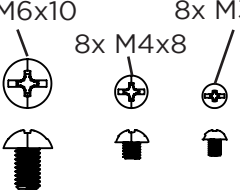
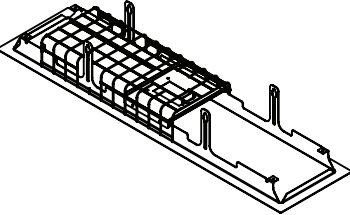
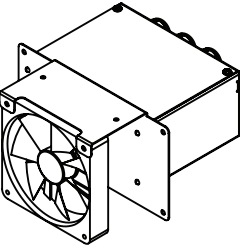
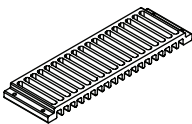
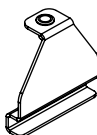
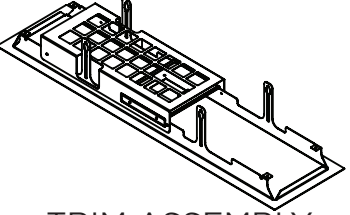
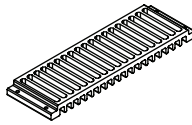
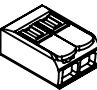
The heater shall, under no circumstance, be covered with insulating material or similar material.

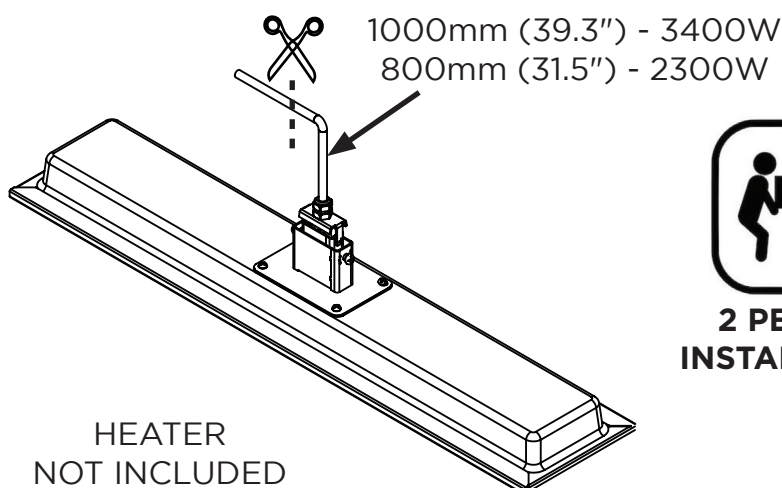
WARNING

It is important that regular maintenance is carried out on the heater to maintain appearance. Inspect and clean more frequently in adverse conditions such as coastal environments.

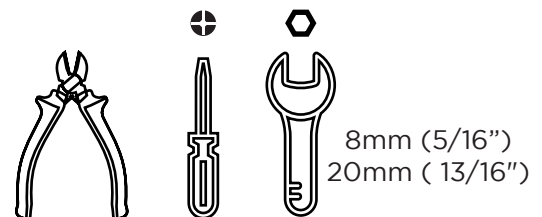
WARNING

In ceiling recess installation, the heater must be completely protected against water contact from above.

 CEILING RECESS BOX 1x	 IP COVER 1x	 HARDWARE	 TRIM ASSEMBLY (STANDARD) 1x
 TERMINAL BOX 1x	 VENT COVER BLACK 2x	 VENT COVER TRIMS 4x	OR  TRIM ASSEMBLY (MARINE) 1x
 VENT COVER WHITE 2x	 N2 WAGO CONNECTOR 1x		



**2 PERSON
INSTALLATION**



TOOLS REQUIRED

IMPORTANT

READ THIS MANUAL CAREFULLY. SEE INSIDE COVER FOR IMPORTANT INFORMATION ABOUT THIS MANUAL. KEEP INSTRUCTIONS WITH APPLIANCE FOR FUTURE REFERENCE.

This manual contains important information about the installation, operation, and maintenance of the Low Clearance Ceiling Recess Kit for the Platinum Smart-Heat Electric Heaters. Please pay close attention to the important safety information shown throughout this instruction manual.

Any safety information will be accompanied by the following safety alert symbols:

 DANGER,  WARNING,  IMPORTANT

- Read this manual carefully before installing or servicing this product.
- Improper installation, operation, or maintenance can result in death, severe injury, or property damage.
- This appliance is intended for fixed installation with voltage as specified on the power rating label.
- Installation **MUST** be carried out by a licensed and authorised technician in accordance with local electrical codes.
- The Platinum Smart-Heat™ Electric Heater is intended for domestic and commercial use, unless otherwise specified.
- **The marine grade versions of the LC Ceiling Recess Kit shall be installed for land and coastal environment application ONLY.**
- **The IPX5 marine grade version of the LC Ceiling Recess Kit shall NOT be installed on marine craft.**

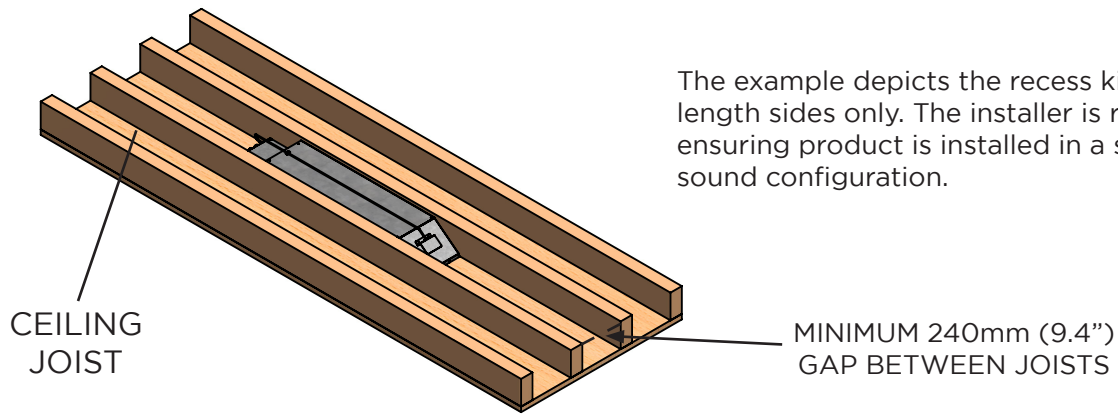
SAVE THESE INSTRUCTIONS

SPECIFICATIONS									
Model		LC Ceiling Recess Kit				LC Ceiling Recess Kit Marine			
Part No.	US/EU	BH3623009		BH3623008		BH3623011		BH3623010	
	AU	2623009		2623008		2623011		2623010	
Total Output - Kit + Heater		2300W		3400W		2300W		3400W	
Power connection required (volts/amps)		208V - A.C - 60HZ - 11.1A	220-240 - A.C - 50/60HZ - 9.6A	208V - A.C - 60HZ - 16.3A	220-240 - A.C. - 50/60Hz - 14.2A	208V - A.C - 60HZ - 11.1A	220-240 - A.C. - 50/60Hz - 9.6A	208V - A.C - 60Hz - 16.3A	220-240 - A.C. - 50/60Hz - 14.2A
Overall Dimensions (L x W x H)		1039 x 261 x 175 mm (40.9 x 10.3 x 6.9 ")		1475 x 261 x 175 mm (40.9 x 10.3 x 6.9 ")		1039 x 261 x 175 mm (40.9 x 10.3 x 6.9 ")		1475 x 261 x 175 mm (40.9 x 10.3 x 6.9 ")	
Weight		11kg (24.3lb)		14kg (31lb)		11kg (24.3lb)		14kg (31lb)	
Finish		Brushed Stainless Steel 304				Brushed Stainless Steel 316			
Approval		ETL: Intertek 5001799, CB/CE-LVD: Intertek 200802166SHA-001/002, SAA: Intertek 200802166SHA-001 <i>PATENT PENDING</i>							

Head Office: 10 Phiney Place, Ingleburn, NSW 2565 Australia

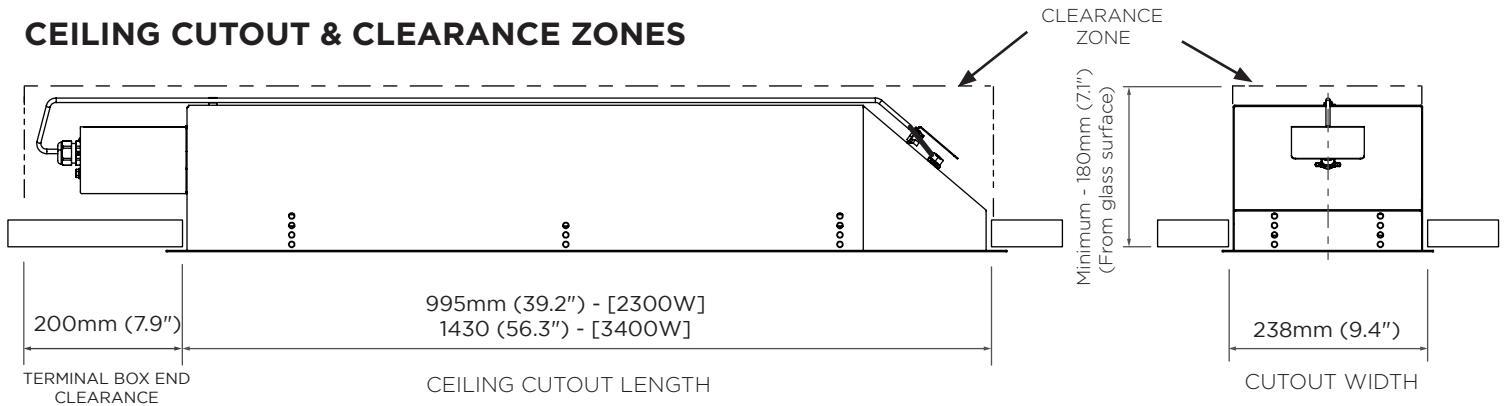
Note: Bromic Pty Ltd reserves the right to make changes to specifications, parts, components and equipment without prior notification. This installation, operation and service manual may not be reproduced in any form without prior written consent from Bromic Pty Ltd.

ISOMETRIC VIEW DEPICTING LOW CLEARANCE RECESS KIT INSTALLATION SETUP OPTIONS

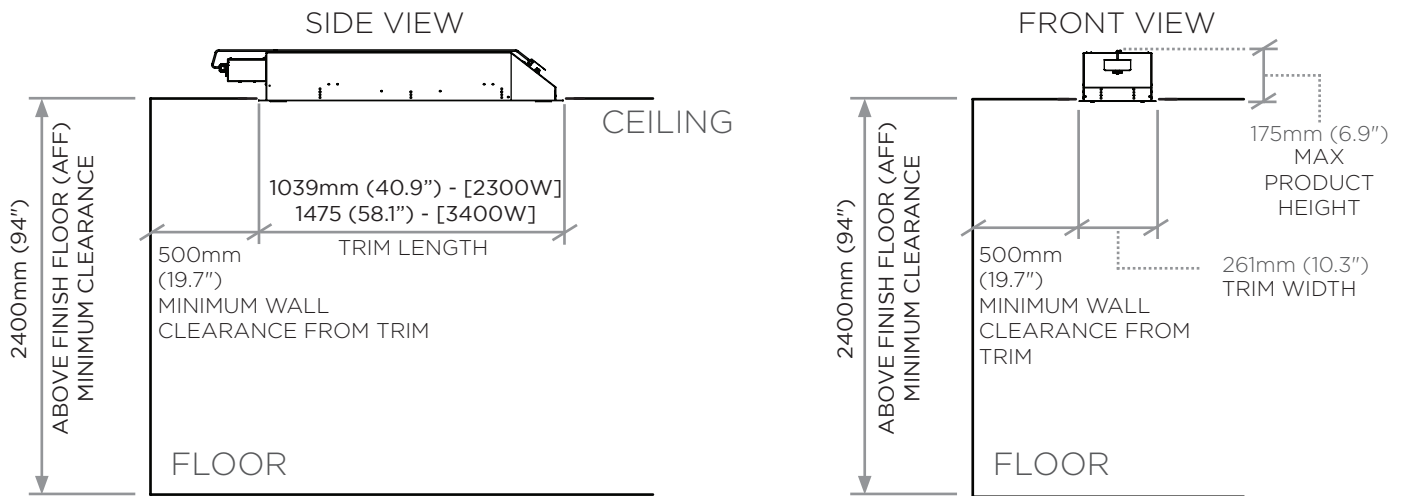


The example depicts the recess kit fixed on the length sides only. The installer is responsible for ensuring product is installed in a structurally sound configuration.

CEILING CUTOUT & CLEARANCE ZONES



ROOM CLEARANCE AND OVERALL DIMENSIONS



⚠️ WARNING

Minimum vertical ceiling space clearance between the ceiling recess box and ceiling surface must be 180mm (7.1").

Minimum clearance measured from the terminal box end to the nearest surface must be 200mm (7.9").

Minimum clearance from the ceiling cutout and the nearest wall must be 500mm (19.7").

Minimum distance between heaters measured from edge of ceiling cut out must be 500mm (19.7").

Minimum distance between the heater surface and finished floor is 2400mm (94").

Standard Versions

Ensure that the heating unit is not directly exposed to rain or water contact. For the longest product life and to maintain product appearance, mount the heater under cover and protect from rain and weather.

Marine Versions

In a salt-air environment, such as near an ocean, corrosion occurs more quickly than normal. Stainless 316 has been used in the Marine configuration. Salt spray should be cleaned from the heater and recess kit immediately - while the heater and recess kit should undergo cleaning fortnightly to ensure maximum longevity. Use a qualified technician to check yearly for corroded areas and remove from service when heater safety is compromised.

INSTRUCTIONS START HERE

1. Prepare ceiling cut-out with the dimensions :

3400W - 1430mm x 240mm (56.3" X 9.45")
2300W - 1000mm x 240mm (39.4" X 9.45")

Heater must be installed with heater surface at least 2400mm (94") above the finished floor (AFF), with minimum clearance measured from the terminal box end to the nearest surface being 200mm (7.9"). Minimum heater to heater distance measured from edge of heater must be 500mm (19.7"). Refer to the install dimensions on page 3.

2. Fasten the ceiling recess box into ceiling with 6x (minimum) appropriate fasteners (not supplied) along the long edge.

NOTE: The fastening screws must be inserted into a strong material that can easily support the weight of the assembly. Your installation may require re-enforcing before the frame can be safely installed.



IMPORTANT

It is the installers responsibility to ensure that the installation site is structurally suitable for the mass of the heater installation being 18.5kg (41 lb) [2300W] or 24kg (53 lb) [3400W].

MINIMUM 12 FASTENERS TO BE USED FOR TIMBER MEMBERS.

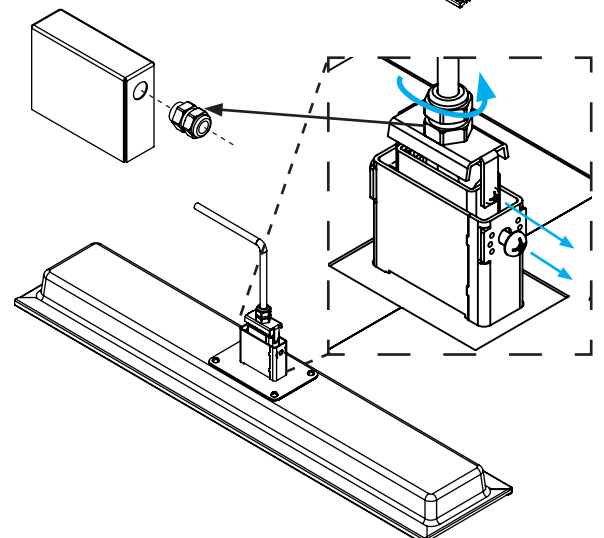
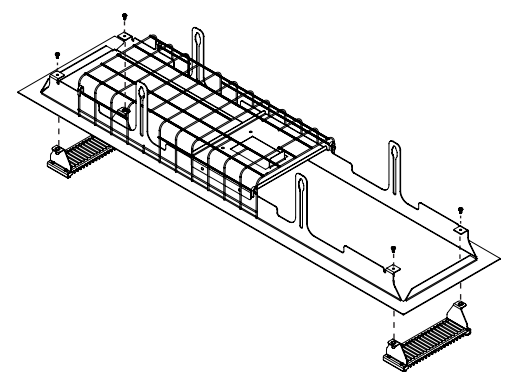
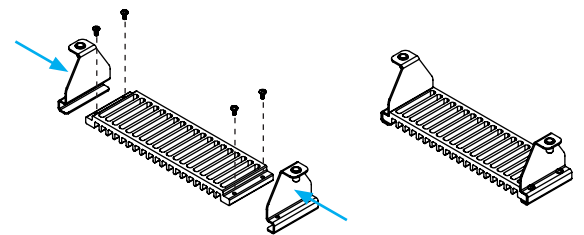
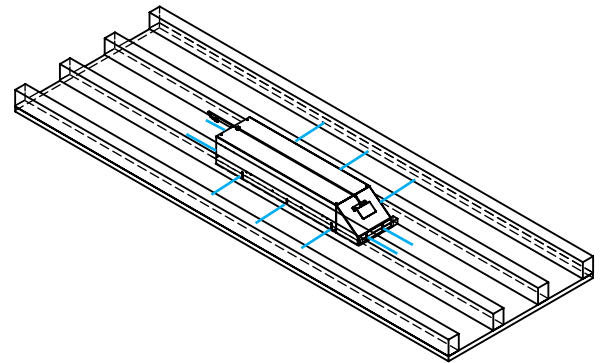
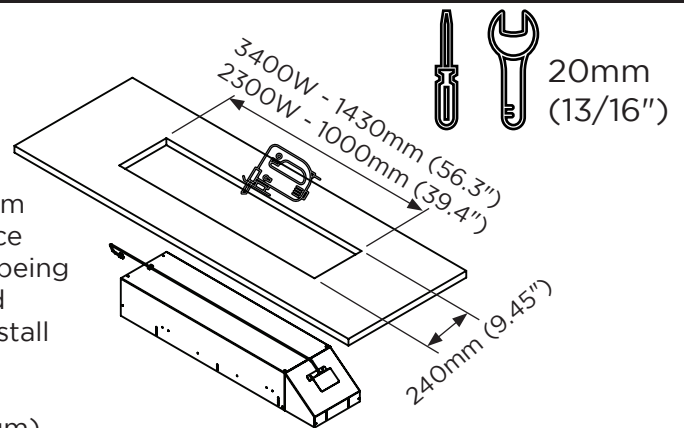
3. Assemble 2x vent covers together using the vent cover trims and 4x **M3x6mm** screws. The colour of the vent covers are to match the heater.

4. Install the assembled vent covers to the end of trim assembly using 4x **M4x8mm** screws.

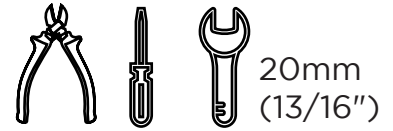
5. Remove the 2x **M6x14mm** and 2x **M4x8mm** screws on the rear bracket of the heater. Remove the swivel bracket on the heater rear. Loosen the **M16** cable gland using a 20mm (13/16") spanner and install the removed cable gland onto the IP cover.

ENSURE THE CABLE GLAND NUT IS REINSTALLED ON THE INNER SURFACE OF THE IP COVER.

NOTE: During this process the strain relief device has been removed - Care must be taken to not apply significant load to the cable as this could stress the internal cable crimps and permanently damage the heater.



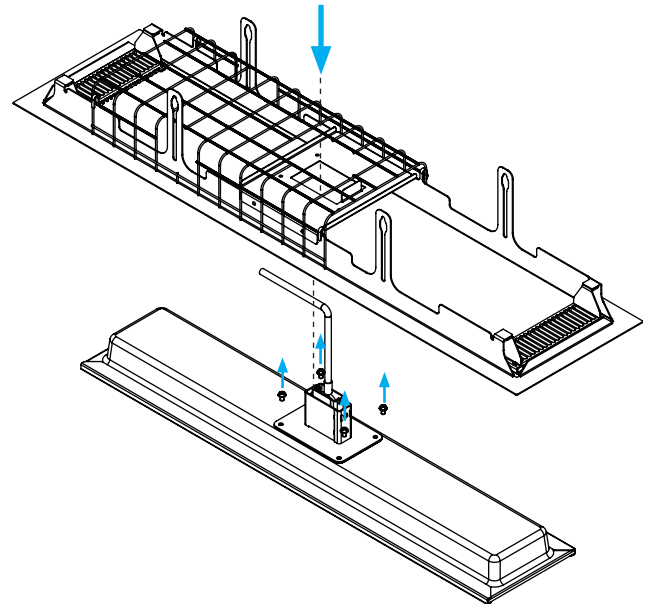
CEILING RECESS INSTALLATION INSTRUCTIONS CONTINUED ...



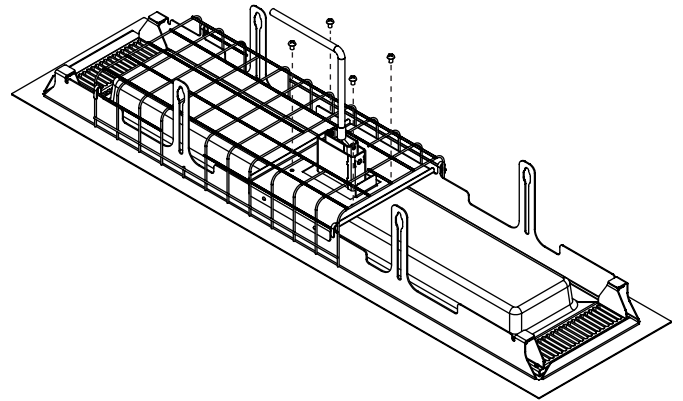
6. Carefully remove the 4x **M5x10mm** screws at the rear of the heater and align the heater trim assembly with the mounting holes.

The cable is fed through the opening in the centre of the trim assembly.

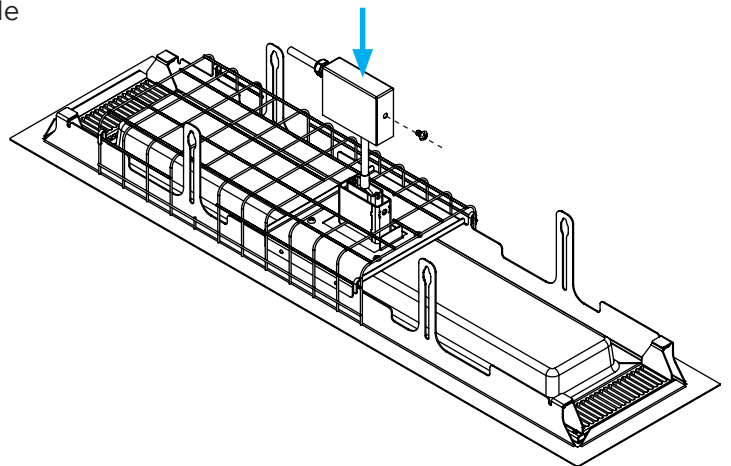
NOTE: REAR HEATER BRACKET IS
NOT TO BE REMOVED.



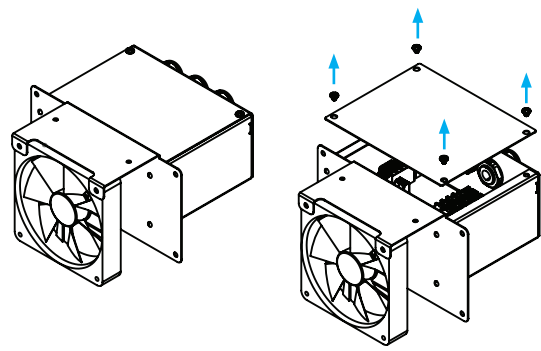
7. Re-install the 4x **M5x10mm** screws to attach the heater to the trim assembly.



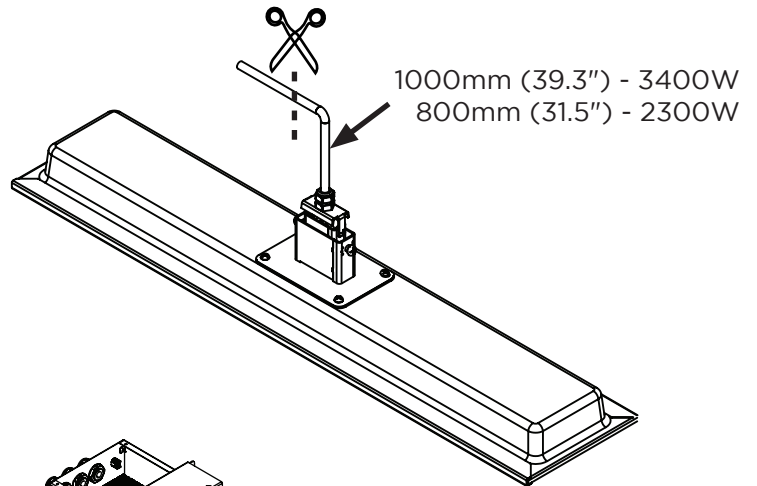
8. Feed the heater cable through the IP cover and cable gland . Attach the IP bracket to the heater using the **M6x10mm** screw.
When in location, ensure the **M16** cable gland is fastened using a 20mm (13/16") spanner.



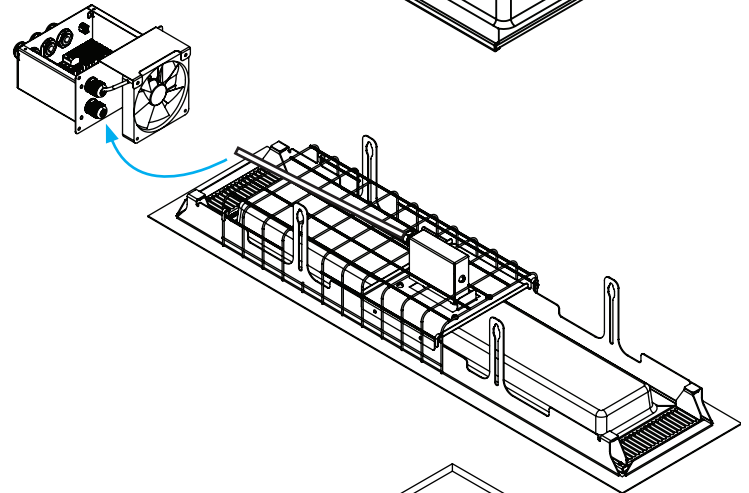
9. Remove the lid of the terminal box by removing the 4x **M4x8mm** screws and set aside for re-assembly.



10. Cut down the heater cable no shorter than 1000mm (39.3") for the 3400W unit, or 800mm (31.5") for the 2300W unit measured from the cable gland.

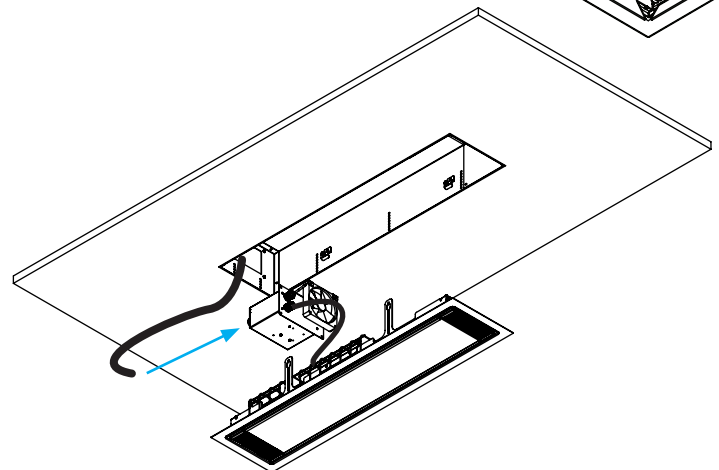


11. Feed the heater cable through the lower **M16** cable gland located on the terminal box. Ensure that the cable gland is tightened.



12. Feed the mains (and control cables if applicable) through the terminal box cut-out in the heater box.

Refer to the wiring diagram diagrams on the next page



For installs using a Bromic Dimmer (sold separately) OR On/Off Controller (sold separately), please refer to the electrical diagram on page 11.

For installs using a manual wall switch (not supplied), please refer to the electrical diagram on page 12.

Comprehensive electrical diagrams can be found on page 14.

CEILING RECESS INSTALLATION INSTRUCTIONS CONTINUED ...

13. Once all connections have been made, use the supplied 4x **M4x8mm** screws to close the terminal box.

MIN 2 PEOPLE REQUIRED FOR FOLLOWING STEPS.



MAX SAFE LIFTING 16 kg (26.5 lbs) PER PERSON.

14. Bring the heater and terminal box up onto stable work platform closer to the terminal box cut-out end.



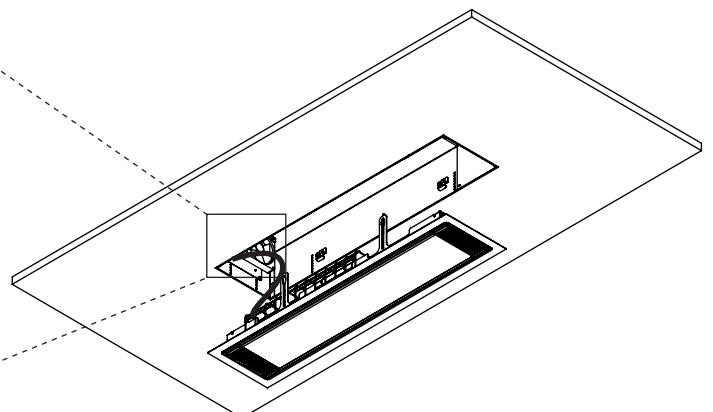
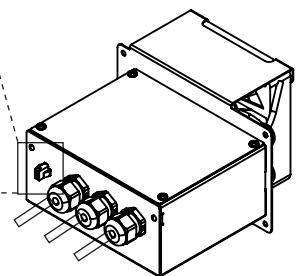
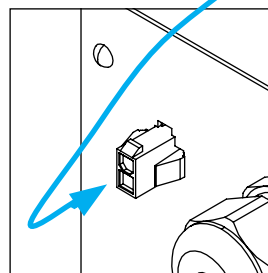
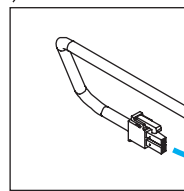
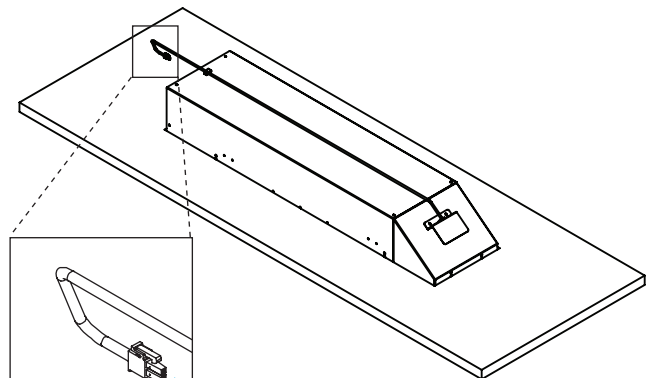
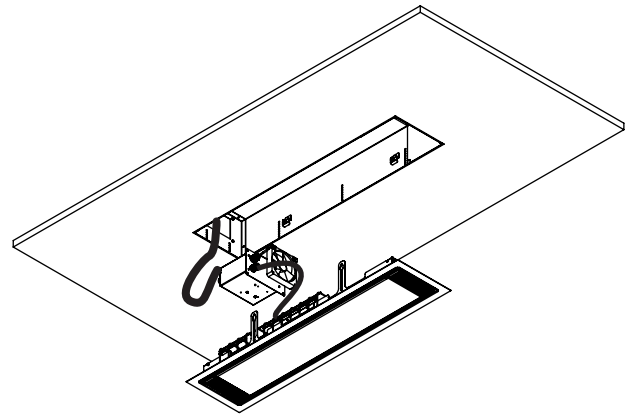
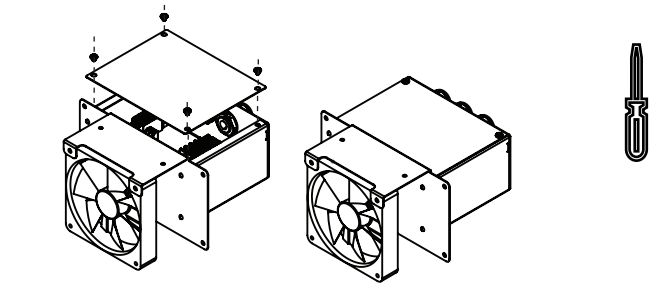
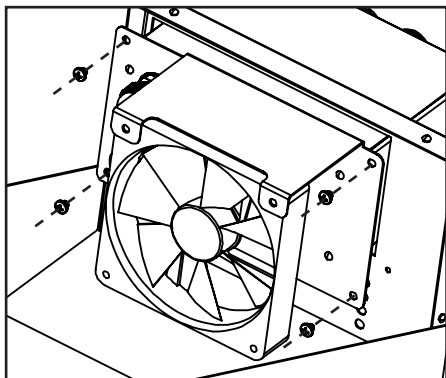
IMPORTANT
ENSURE THE FRONT GLASS OF THE HEATER IS PROTECTED BEFORE PLACING ON TOP.

14. Before installing the terminal box - retrieve the thermal cut-off switch cable. Plug it into thermal cut-off switch receptacle at the rear of the terminal box.



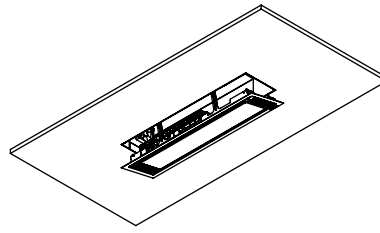
WARNING
Heater will not function unless the thermal cut-off switch plug is inserted into receptacle on rear of terminal box.

15. Fasten the terminal box into the ceiling recess box using 4x **M4x8mm** screws.



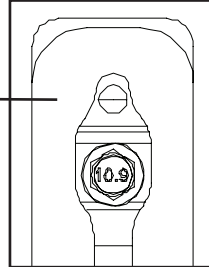
CEILING RECESS INSTALLATION INSTRUCTIONS CONTINUED ...

16. Attach the trim assembly to the ceiling recess box by hooking on one side of the mounting tab features to 2x **M5x12mm** hex flange bolts.



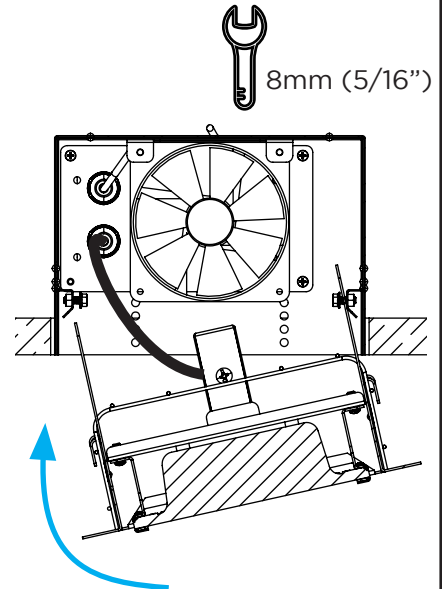
Ensure heater cable placement is on the inside of the mounting hooks.

Mounting tab feature

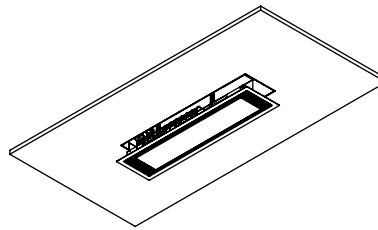


IMPORTANT

Ensure heater cable placement is on the inside of the mounting hooks.

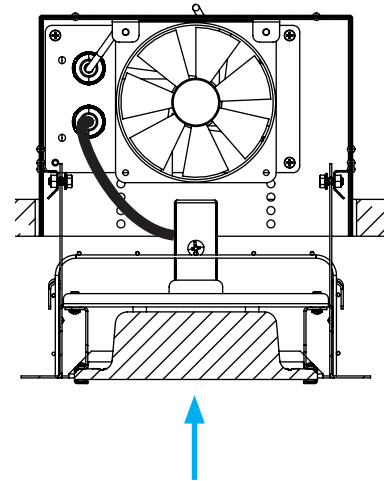


17. Rotate the trim assembly and attach the other side of the mounting tabs to the other 2x **M5x12mm** hex flange bolts.



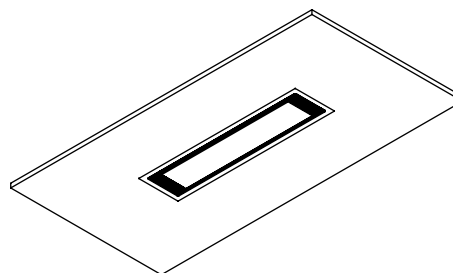
WARNING

The heater supply cable **MUST** completely rest on the support structure. The supply cable **MUST NOT** be touching the rear surface of the heater.

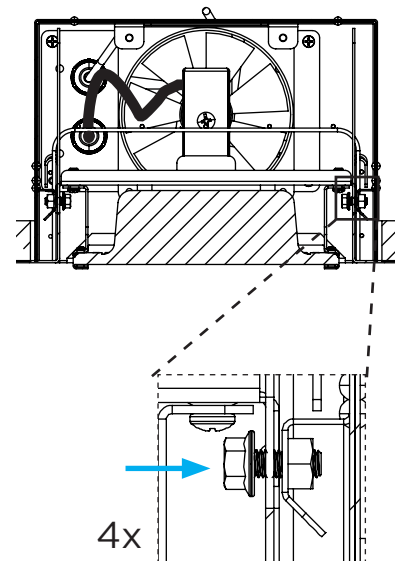


18. Raise up the heater trim assembly so it is flush with the ceiling.

Tighten the 4x **M5x12mm** hex flange bolts using a 8mm (5/16") spanner to secure the heater in place.



Check heater alignment is flush with the ceiling before tightening the screws.



ELECTRICAL INSTALLATION

1. Check product label for correct voltage and wattage to ensure sure power source conforms to the heaters requirements.
2. The power cable must positioned away from & protected from the enclosure of the heater.
3. Make all connections in accordance with local electrical code regulations. For outdoor installation, all connections must be made in accordance with local electrical code regulations for outdoor wiring. Only use wiring components approved for outdoor use with minimum IPX5 rating.



WARNING

This heater **MUST** be permanently installed by an authorised/licenced person. Do not perform maintenance, or carry out installation or assembly procedure while electrical power is switched on. To disconnect heater, turn off power to heater circuit at main disconnect panel .



WARNING

ELECTRICAL SHOCK HAZARD! Serious injury or death may occur. Disconnect from electrical supply before installing or servicing this heater. Read and follow installation clearance requirements outlined in this manual. The appliance **MUST** be connected to a properly grounded electrical source.

For wiring instructions using Bromic Platinum Smart-Heat Electric Wireless Dimmer BH3130011-1 or ON/OFF Control BH3130010-1 refer to instructions provided with controller.

IMPORTANT: Electronic dimmer controls generate heat during operation. For Bromic heaters installed Bromic SmartHeat Electric Wireless Dimmer BH3130011-1 or ON/OFF Control BH3130010-1 it is essential to ensure dimmers are mounted in a clean, dry and well ventilated position with clearance on all sides. It must be ensured the dimmers are not installed in a confined space, close to other heat generating appliances or in the case of a multi-dimmer installation, not too close together. Dimmers must remain cool at all times. Please consult Bromic dimmer installation instructions for further details or for further questions please contact Bromic technical support services.

SERVICING



WARNING

ELECTRICAL SHOCK HAZARD! Serious injury or death may occur. Disconnect from electrical supply before servicing this heater.



WARNING

Servicing and maintenance **MUST** be carried out by an authorised and licenced service person only. Do not operate any heater after it malfunctions. Disconnect power at service panel and have heater inspected by a reputable electrician before reusing.



WARNING

If the supply cord is damaged, it must be replaced by Bromic, a service agent of Bromic or similarly qualified persons in order to avoid a hazard. Contact Bromic for further information on replacement of the supply cord.

MAINTENANCE

Ensure that the heating unit is not directly exposed to rain or water contact. For longest product life, and to maintain product appearance, mount heater under cover and protect from rain and weather whenever possible.

The exterior housing of the heater should be cleaned fortnightly. To clean the appliance; ensure heater is off, and has been off for at least 2 hours after operation, before wiping off any dirt/dust with a soft damp cloth.

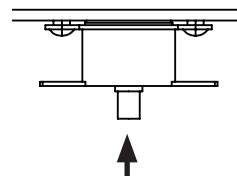
Salt in the air can cause rusting of metal, especially in coastal environment. Additional cleaning of the heater with a soft damp cloth fortnightly will aid in maintaining the product's appearance.

TROUBLESHOOTING

SYMPTOM	POSSIBLE CAUSE(S)	CORRECTIVE ACTION
No heat	<ol style="list-style-type: none"> 1. Improper Connection 2. Self resetting thermal switch not plugged in 3. Non-self resetting thermal switch has triggered. 	<ol style="list-style-type: none"> 1. Check connection to power supply 2. Check self resetting thermal switch is plugged in (see step 14). 3. Reset Non-self resetting thermal switch located inside terminal box (see electrical diagram).
Not enough heat	<ol style="list-style-type: none"> 1. Heater too small for application 2. Heater mounted too high or too far 3. Incorrect voltage connected to heater. 	<ol style="list-style-type: none"> 1. Add additional heater(s) 2. Decrease mounting height or distance. 3. Check correct supply voltage and current is provided
Too much heat	<ol style="list-style-type: none"> 1. Heater too large for application 2. Heater mounted too low or too close 3. Incorrect voltage connected to heater 	<ol style="list-style-type: none"> 1. Replace with smaller heater 2. Increase mounting height or distance 3. Check correct supply voltage is provided.

Non-self resetting thermal switch

In the event that the temperatures exceed safe operating limits, the non-self resetting thermal switch will trigger. This may be due to the fan being damaged or the heater is operating at a high ambient temperature. To reset the switch, push down on the reset button at the middle of the switch. THE LOCATION IS SHOWN ON PAGE 10,

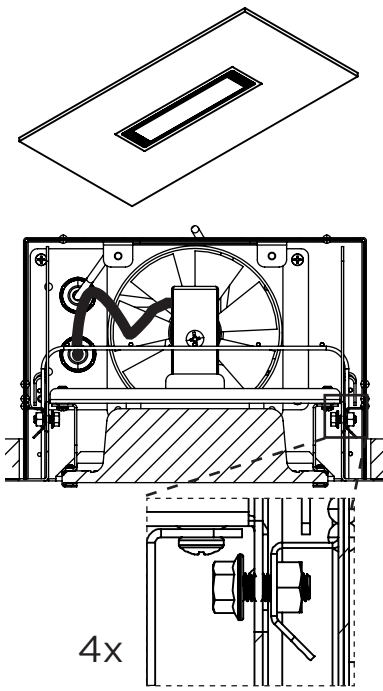


WARNING

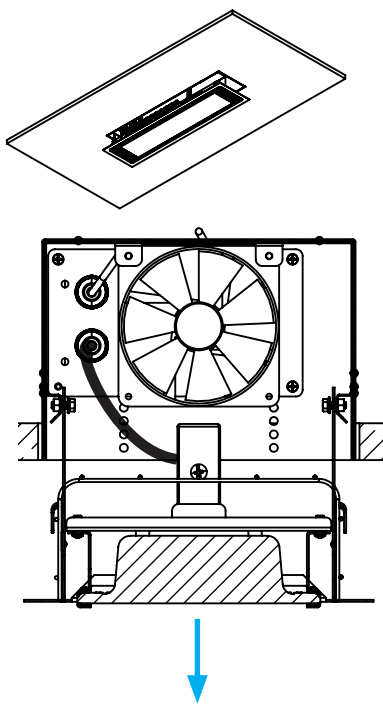
Ensure circuit is not live before attempting to reset the safety switch.

QUICK GUIDE FOR ACCESSING TERMINAL BOX

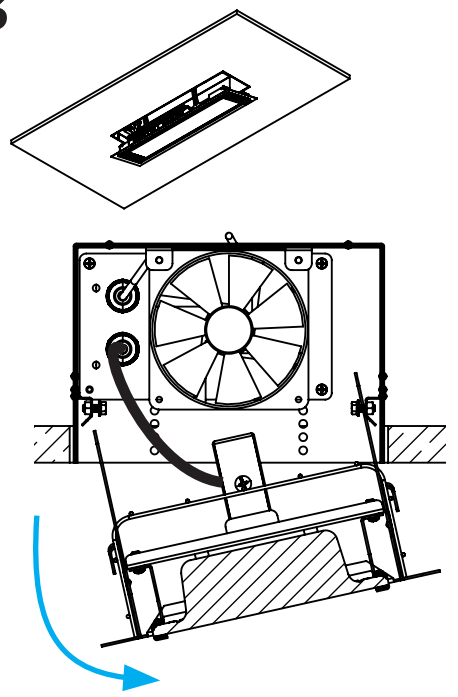
1



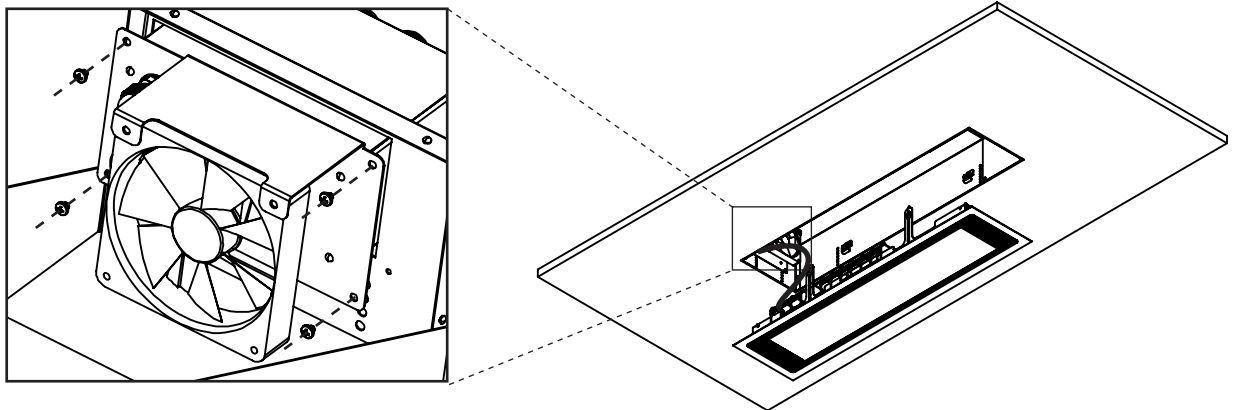
2



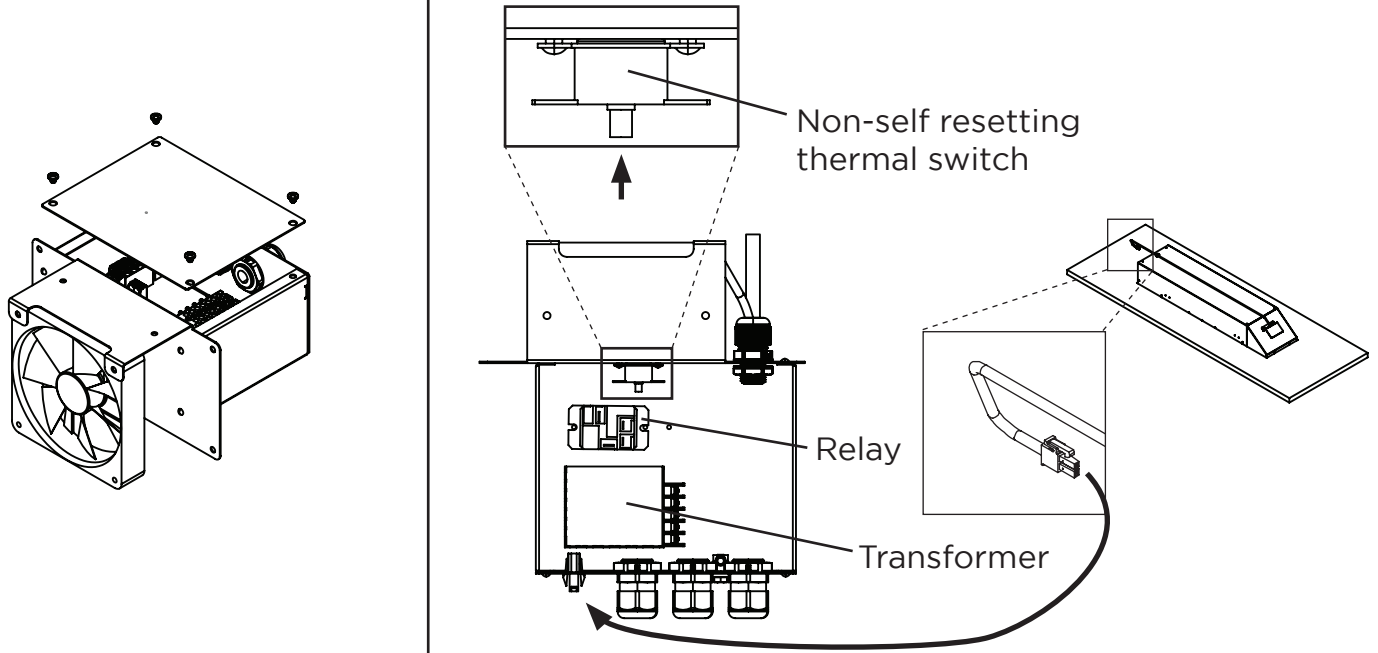
3



4



5

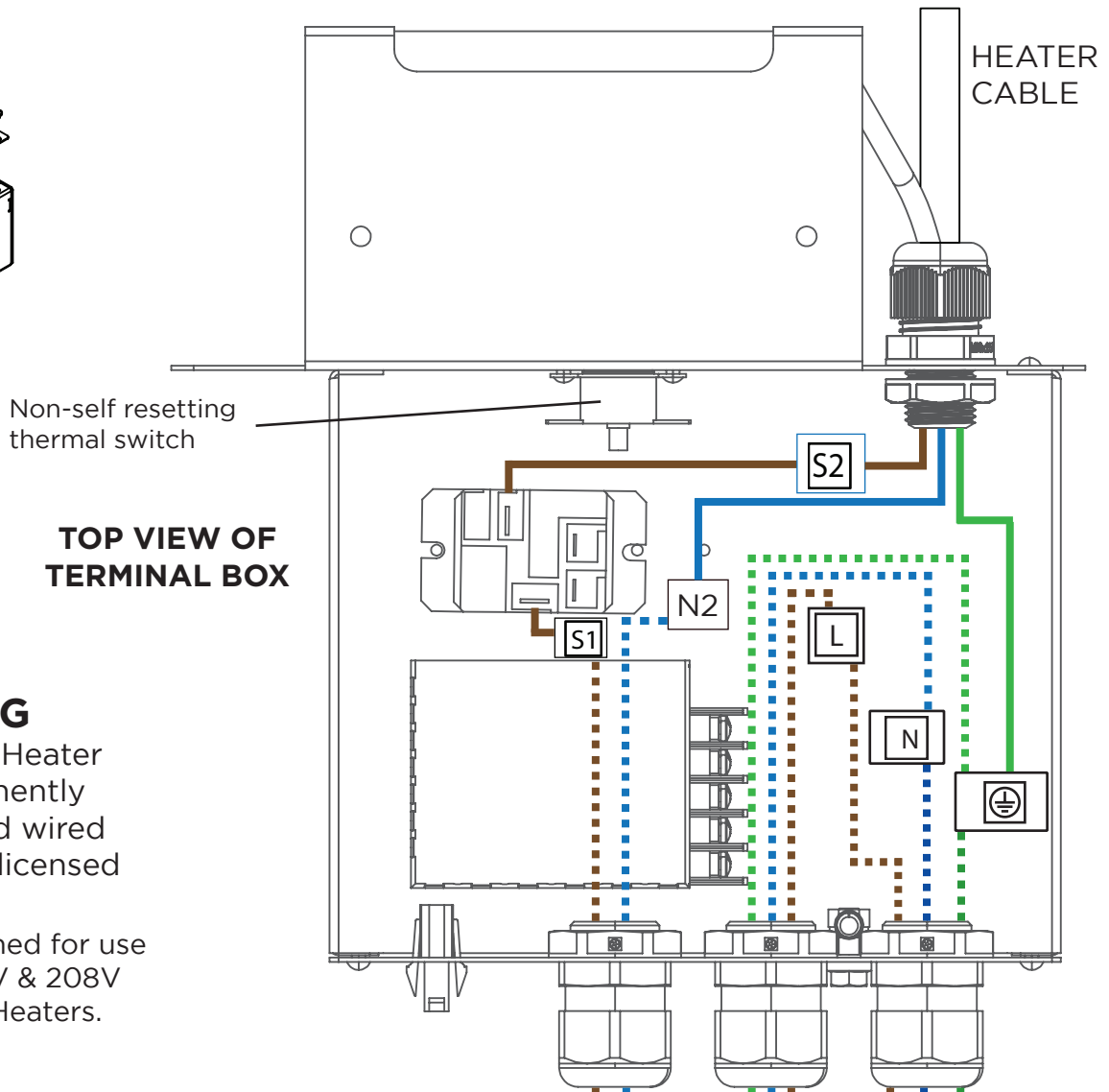
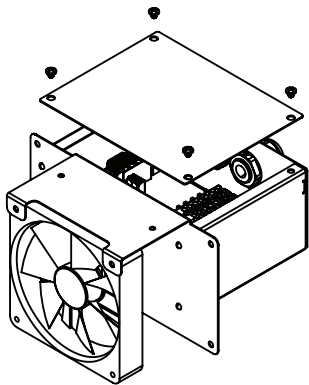


REFER TO WIRING DIAGRAMS ON PAGE 14.

IF THE PRODUCT IS STILL NOT WORKING CONTACT BROMIC FOR ADDITIONAL TECHNICAL SUPPORT.

WIRING DIAGRAM FOR LOW CLEARANCE CEILING RECESS KIT (FOR USE WITH DIMMER OR ON/OFF)

BELOW IS A SIMPLIFIED DIAGRAM OF THE TERMINAL BOX.
ALL CONNECTIONS ADJUSTED BY THE INSTALLER ARE DISPLAYED.
ITEMS NOT DISPLAYED SHALL NOT BE MODIFIED.



**TOP VIEW OF
TERMINAL BOX**

WARNING

AC Single Phase Heater must be permanently installed and hard wired by an authorised/licensed person.

This product is designed for use with both 220-240V & 208V Platinum Electric Heaters.

**To Dimmer Power (Load) Output
OR ON/OFF Power (Load) Output**

**WIRES DENOTED
BY DASHED
LINES ARE
SUPPLIED BY
THE INSTALLER.**

**To Dimmer Power Supply Input
OR ON/OFF Power Supply Input**

SUPPLY

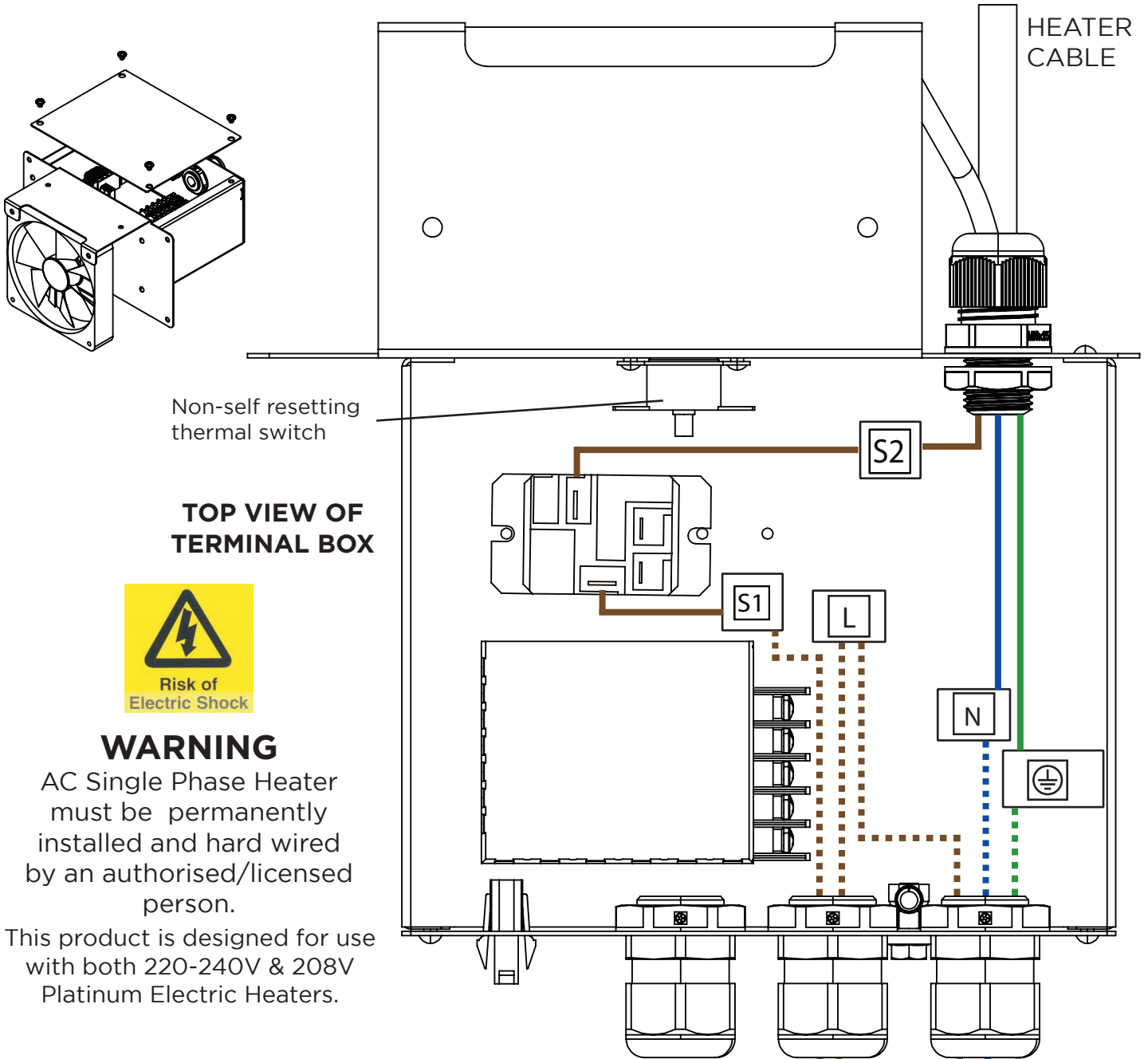
	BROWN LIVE/ACTIVE	BLUE NEUTRAL	GREEN/YELLOW EARTH
OR	HOT LEG 1	HOT LEG 2	
OR	PHASE A	PHASE B	
OR	PHASE B	PHASE C	
OR	PHASE C	PHASE A	

NOTES:

- For wiring instructions using Bronic SmartHeat Electric Wireless Dimmer BH3130011-1 or ON/OFF Controller BH3130010-1 refer to the instructions provided with the controller.
- Connecting to a 3-phase power system can only be done for 208V versions of the Platinum Electric Heater.

WIRING DIAGRAM FOR LOW CLEARANCE CEILING RECESS KIT (FOR USE WITH WALL SWITCH)

BELOW IS A SIMPLIFIED DIAGRAM OF THE TERMINAL BOX.
ALL CONNECTIONS ADJUSTED BY THE INSTALLER ARE DISPLAYED.
ITEMS NOT DISPLAYED SHALL NOT BE MODIFIED.



Non-self resetting thermal switch

**TOP VIEW OF
TERMINAL BOX**



WARNING

AC Single Phase Heater must be permanently installed and hard wired by an authorised/licensed person.

This product is designed for use with both 220-240V & 208V Platinum Electric Heaters.

WALL SWITCH SUPPLIED BY CUSTOMER

WIRES DENOTED BY DASHED LINES ARE SUPPLIED BY THE INSTALLER.

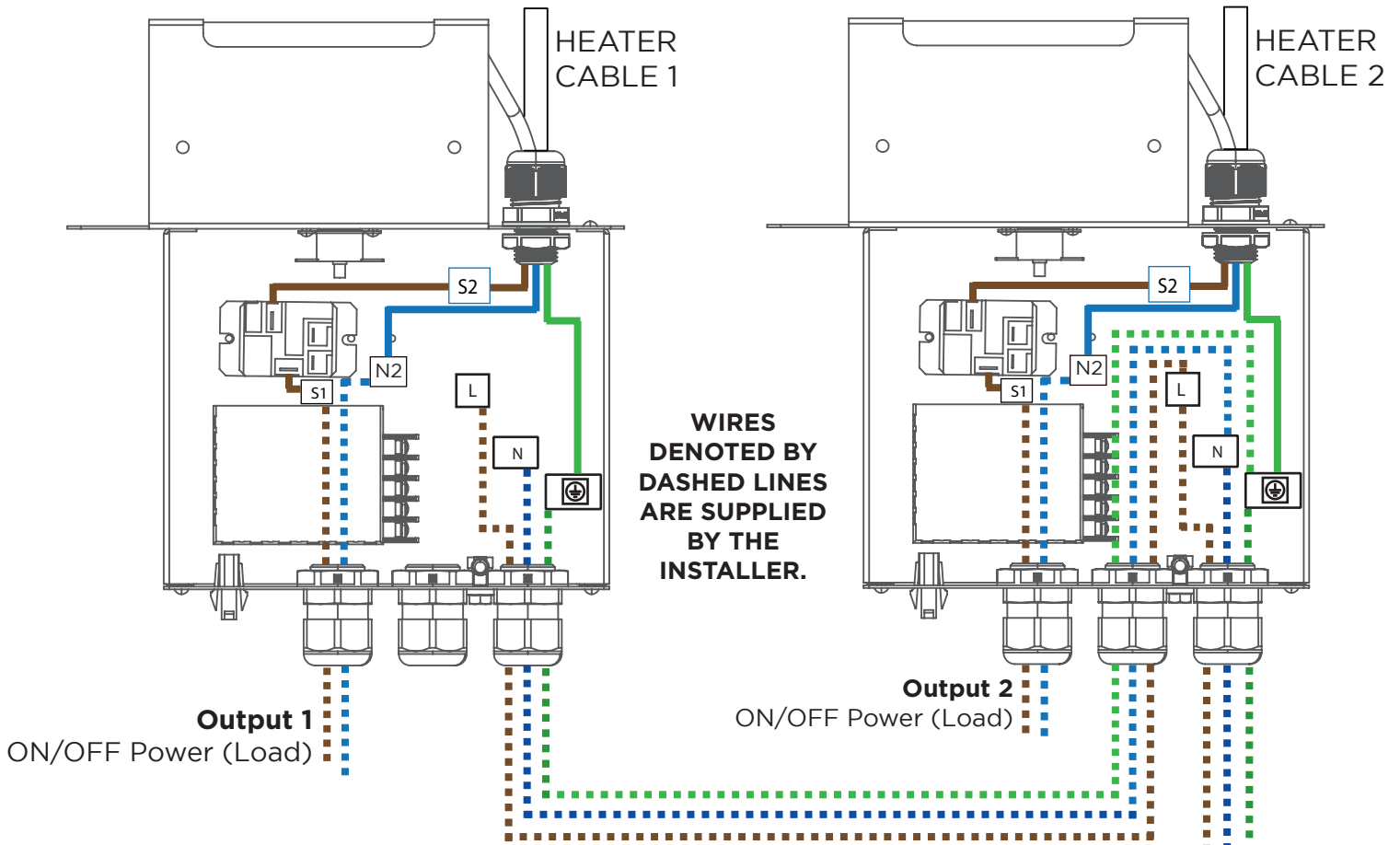
	BROWN LIVE/ACTIVE	BLUE NEUTRAL	GREEN/YELLOW EARTH
OR	HOT LEG 1	HOT LEG 2	
OR	PHASE A	PHASE B	
OR	PHASE B	PHASE C	
OR	PHASE C	PHASE A	

NOTES:

- The ceiling recess kit is designed for the Platinum Electric SII 2300W & 3400W units only.
- Connecting to a 3-phase power system can only be done for 208V versions of the Platinum Electric Heater.

WIRING DIAGRAM FOR LOW CLEARANCE CEILING RECESS KIT (FOR USE WITH 2 HEATERS ON/OFF OR DIMMER)

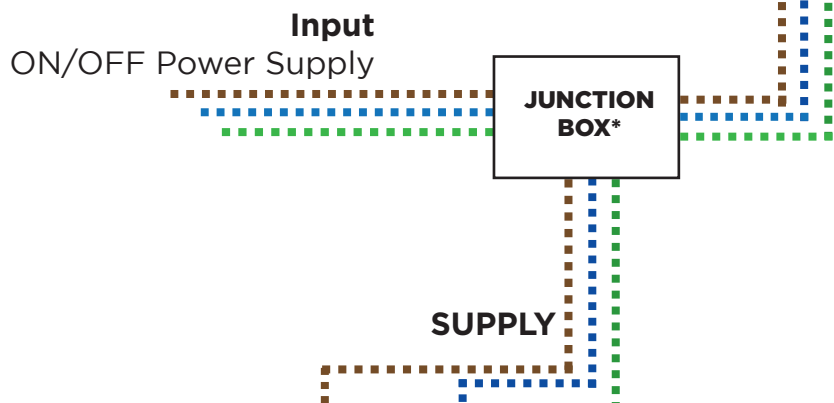
BELOW IS A SIMPLIFIED DIAGRAM OF THE TERMINAL BOX.
ALL CONNECTIONS ADJUSTED BY THE INSTALLER ARE DISPLAYED.
ITEMS NOT DISPLAYED SHALL NOT BE MODIFIED.



WARNING

AC Single Phase Heater must be permanently installed and hard wired by an authorised/licensed person.

This product is designed for use with both 220-240V & 208V Platinum Electric Heaters.

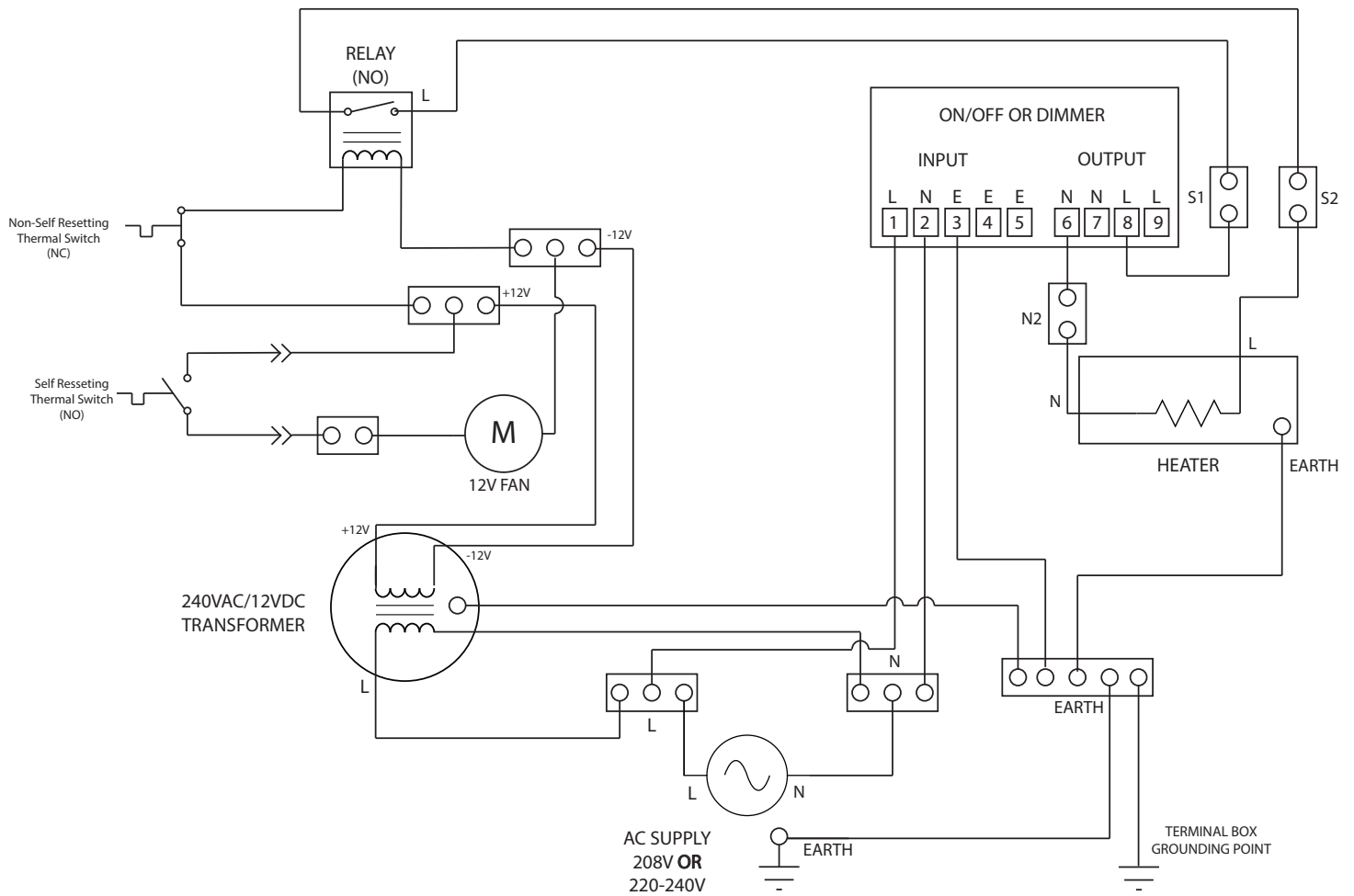


	BROWN LIVE/ACTIVE	BLUE NEUTRAL	GREEN/ YELLOW EARTH
OR	HOT LEG 1	HOT LEG 2	
OR	PHASE A	PHASE B	
OR	PHASE B	PHASE C	
OR	PHASE C	PHASE A	

NOTES:

- For wiring instructions using Bronic SmartHeat Electric Wireless Dimmer BH3130011-1 or ON/OFF Controller BH3130010-1 refer to the instructions provided with the controller.
- Connecting to a 3-phase power system can only be done for 208V versions of the Platinum Electric Heater.
- *The junction box and connections inside must be suitable for the voltage and current capacity of the heaters being installed.

ELECTRICAL DIAGRAM - FOR ON/OFF OR DIMMER



ELECTRICAL DIAGRAM - FOR WALL SWITCH

