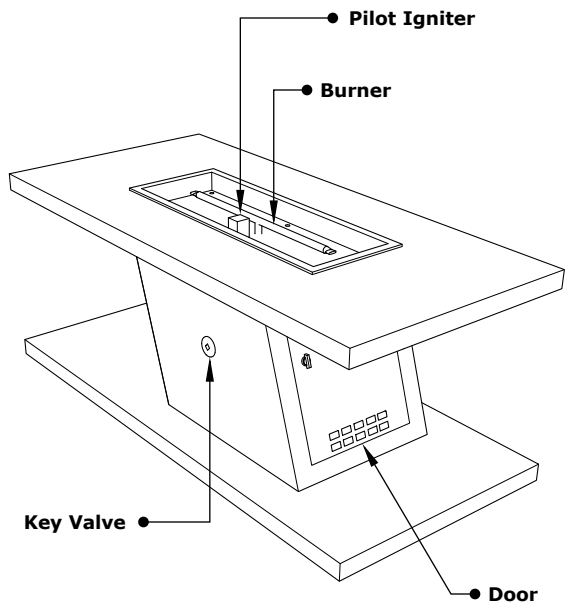
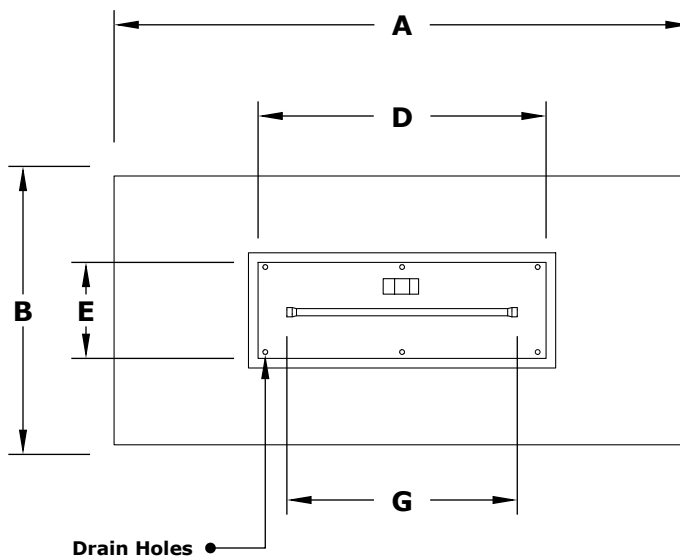


IMPERIAL FIRE PIT - 24" TALL

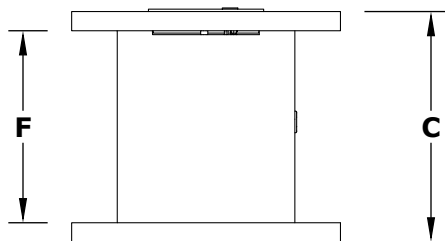
Hammered Copper, Corten Steel, Stainless Steel, Powder Coat



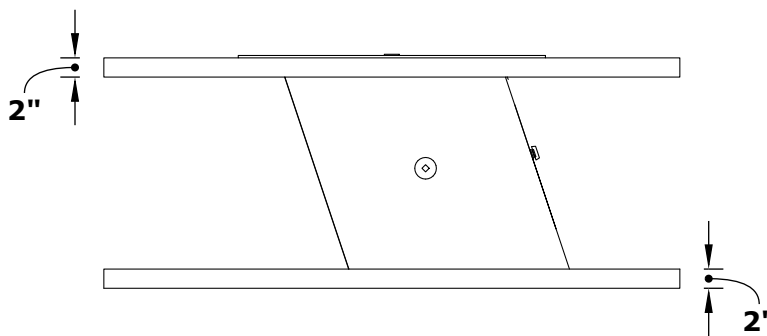
ISOMETRIC VIEW



TOP VIEW



RIGHT SIDE VIEW



FRONT SIDE VIEW

Hammered Copper	Corten Steel	Stainless Steel	Powder Coat	A	B	C	D	E	F	G	BTU
OPT-IMCPR6024	OPT-IMCS6024	OPT-IMSS6024	OPT-IMPC6024	60"	30"	24"	30"	10"	24"	24"	40,000
OPT-IMCPR7224	OPT-IMCS7224	OPT-IMSS7224	OPT-IMPC7224	72"	30"	24"	42"	10"	24"	36"	60,000

Fire Pit Material: Various Metals
 Pan Material: 304 Stainless Steel
 Burner Material: 304 Stainless Steel

Standard 1" Flange on all pans
 Standard 2" Depth on all pans
110V ELECTRONIC IGNITION
 ANSI Z21.97-(2017) / CSA 2.41-(2017)



Match Lit Unit Includes: Pan, Burner, Gas Orifice, Gas Hoses, Key Valve, Key,
 110v Ignition Unit Includes: Pan, Burner, Gas Orifice, Gas Hoses, Key Valve, Key, Plug & Play Electronic Valve, Pilot Igniter.

Proprietary & Confidential: The information contained in this drawing is the sole property of The Outdoor Plus. Any reproduction or as a whole without written permission of The Outdoor Plus is prohibited.