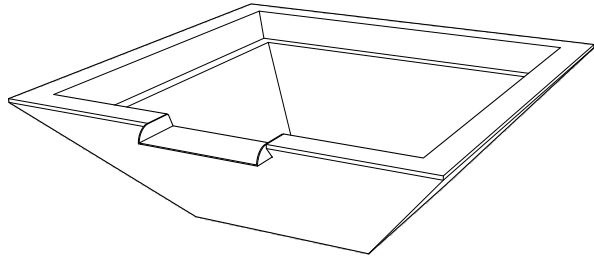
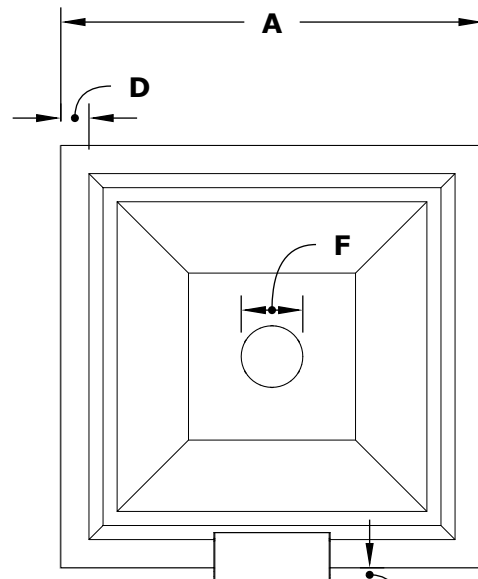


MAYA WATER BOWL- GFRC CONCRETE

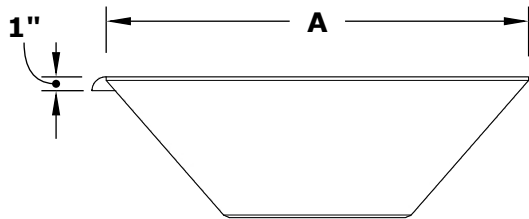


ISOMETRIC VIEW

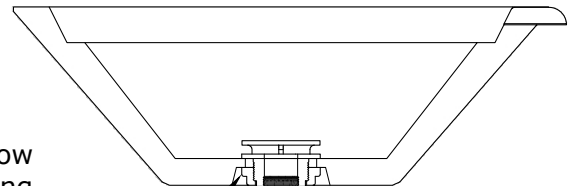


TOP VIEW

1.5"

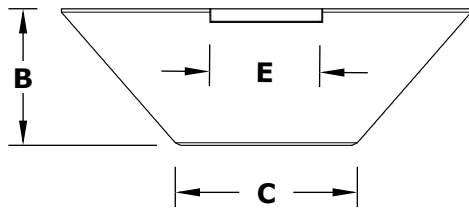


RIGHT SIDE VIEW

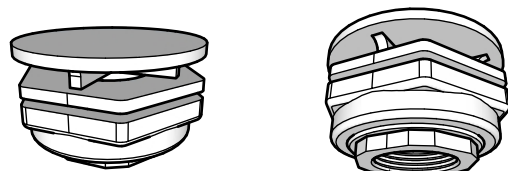


Smooth Flow Water Fitting (1 1/2" Connection)

SECTION CUT



FRONT SIDE VIEW



1 1/2" Inlet

| SKU | A | B | C | D | E | F | GPM |
|-----------|-----|--------|-----|------|-----|------|------|
| OPT-24SWO | 24" | 10.75" | 13" | 2" | 8" | 3.5" | 7-10 |
| OPT-30SWO | 30" | 10.25" | 13" | 2.5" | 8" | 3.5" | 7-10 |
| OPT-36SWO | 36" | 12" | 20" | 3" | 10" | 3.5" | 7-10 |

Fire Bowl Material: GFRC Concrete
 Finish: Smooth Finish
 Includes: Bowl, Copper Scupper,
 Water Fitting