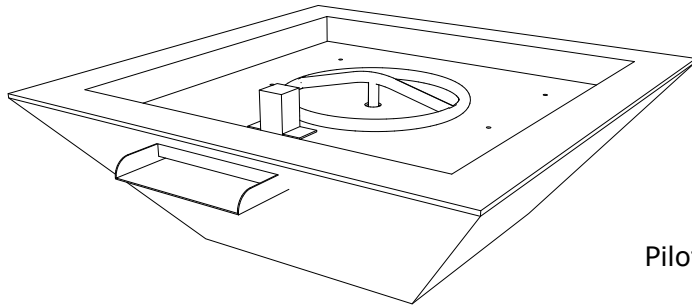
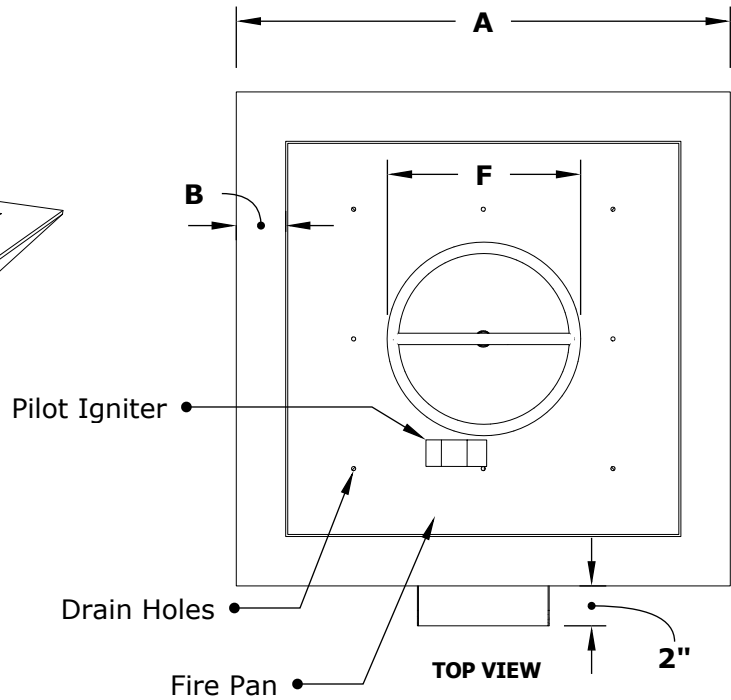


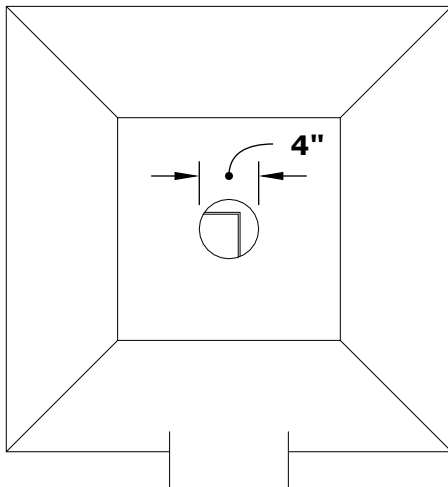
# MAYA FIRE WATER BOWL POWDER COATED STEEL/ COPPER



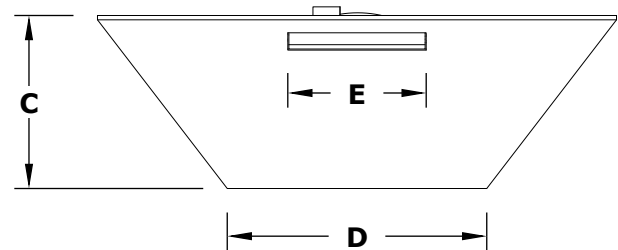
**ISOMETRIC VIEW**



**TOP VIEW**



**UNDERSIDE VIEW**



**FRONT SIDE VIEW**

SKU	A	B	C	D	E	F	BTU
OPT-24SCFWE12V	24"	2"	10"	12"	8"	8" Single Ring	45,000
OPT-30SCFWE12V	30"	3"	10"	15"	8"	12" Single Ring	65,000
OPT-36SCFWE12V	36"	3"	12"	18"	10"	12" Single Ring	65,000
OPT-24SQPCFWE12V	24"	2"	10"	12"	8"	8" Single Ring	45,000
OPT-30SQPCFWE12V	30"	3"	10"	15"	8"	12" Single Ring	65,000
OPT-36SQPCFWE12V	36"	3"	12"	18"	10"	12" Single Ring	65,000

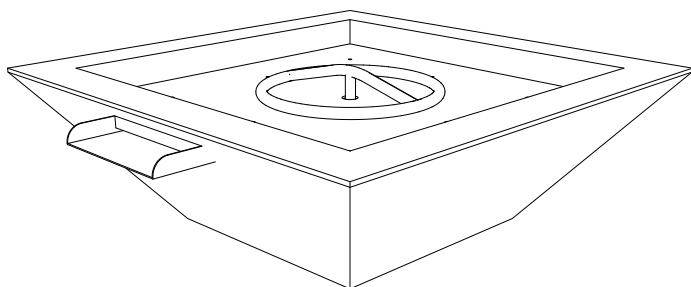
Fire Bowl Material  
 - Powder Coated Steel  
 - Hammered Copper  
 Pan Material: 304 Stainless Steel  
 Burner Material: 304 Stainless Steel  
 Water Inlet: 3/4" FIP  
 GPM: 12-15  
**12V ELECTRONIC IGNITION**  
 ANSI Z21.97-(2017) / CSA 2.41-(2017)

Includes: Pan, Burner, 12v Electronic Valve, Pilot Igniter, NG or LP orifice, Whistle Free Hose, Black Lava Rock.

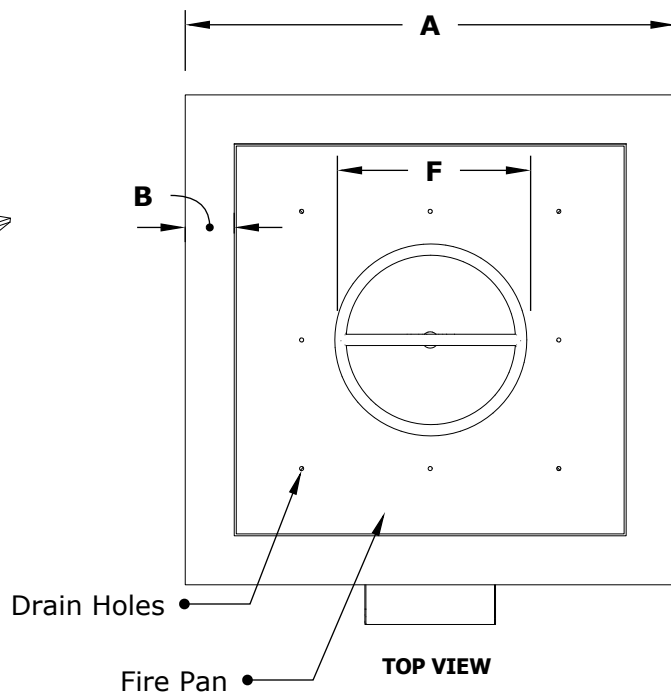


# MAYA FIRE WATER BOWL

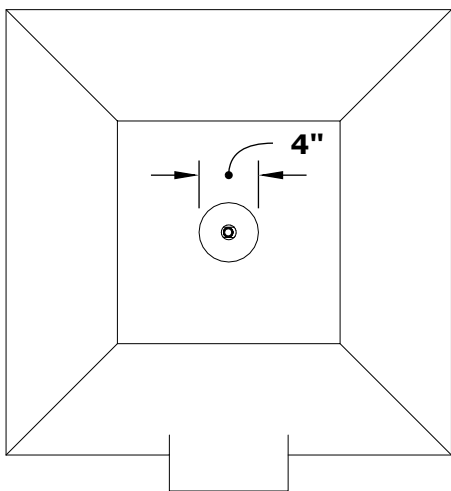
## POWDER COATED STEEL/ COPPER



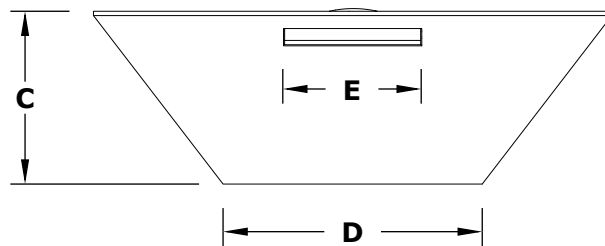
**ISOMETRIC VIEW**



**TOP VIEW**



**UNDERSIDE VIEW**



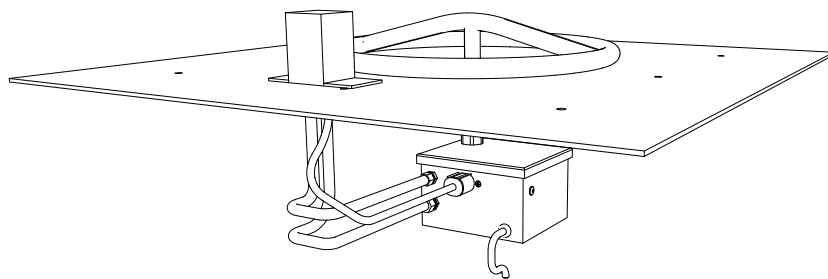
**FRONT SIDE VIEW**

SKU	A	B	C	D	E	F	BTU
OPT-24SCFW	24"	2"	10"	12"	8"	8" Single Ring	45,000
OPT-30SCFW	30"	3"	10"	15"	8"	12" Single Ring	65,000
OPT-36SCFW	36"	3"	12"	18"	10"	12" Single Ring	65,000
OPT-24SQPCFW	24"	2"	10"	12"	8"	8" Single Ring	45,000
OPT-30SQPCFW	30"	3"	10"	15"	8"	12" Single Ring	65,000
OPT-36SQPCFW	36"	3"	12"	18"	10"	12" Single Ring	65,000

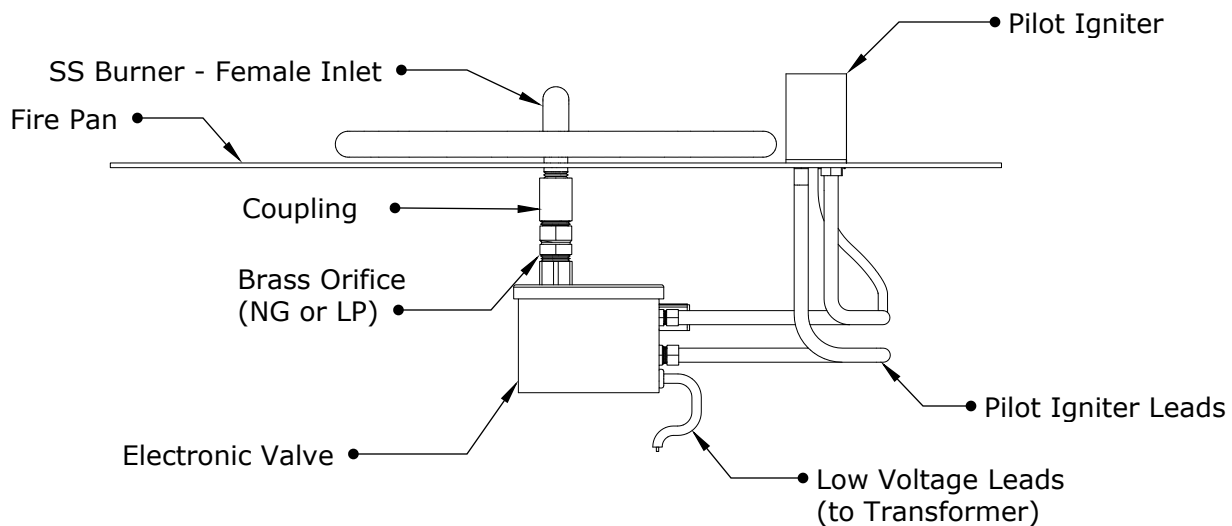
Fire Bowl Material  
 - Powder Coated Steel  
 - Hammered Copper  
 Pan Material: 304 Stainless Steel  
 Burner Material: 304 Stainless Steel  
 Water Inlet: 3/4" FIP  
 GPM: 12-15

Includes: Pan, Burner, NG or LP orifice, Whistle Free Hose, Black Lava Rock.

# SMART WEATHER ELECTRONIC IGNITION OVERVIEW



**ISOMETRIC VIEW**



**FRONT VIEW**