



Service Parts

MERC32

Mercury 32" Gas Fireplace - DV

Beginning Manufacturing Date: June 2016

Ending Manufacturing Date: Active

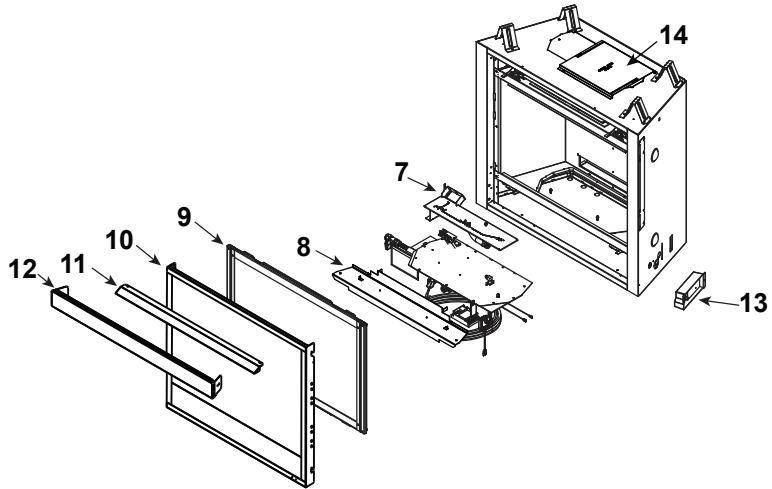
MERC32IN - Active

MERC32VN - Ending Manufacturing Date: April 2020

MERC32IL - Active

MERC32VL - Ending Manufacturing Date: April 2020

Log Set Assembly



IMPORTANT: THIS IS DATED INFORMATION. Parts must be ordered from a dealer or distributor. **Hearth and Home Technologies does not sell directly to consumers.** Provide model number and serial number when requesting service parts from your dealer or distributor.



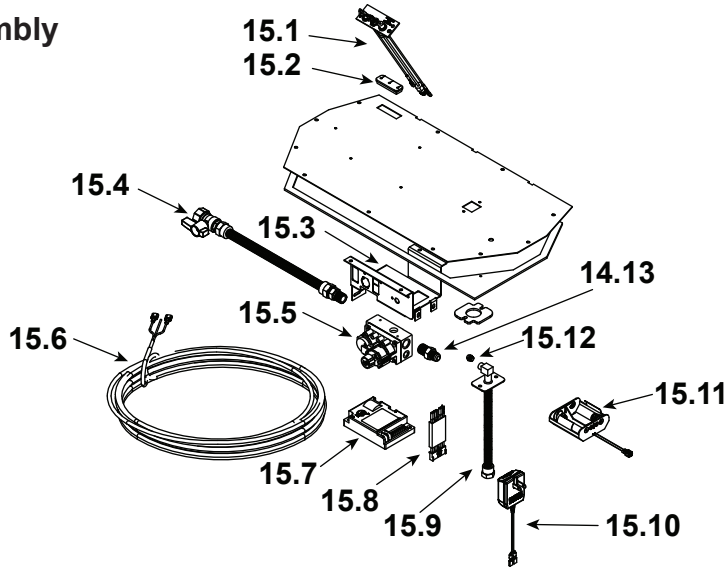
Stocked at Depot

ITEM	DESCRIPTION	COMMENTS	PART NUMBER	
	Log Assembly		LOGS-MERC32	Y
1	Log 1		SRV2401-701	
2	Log 2		SRV2401-702	
3	Log 3		SRV2401-703	
4	Log 4		SRV2218-706	
5	Log 5		SRV2397-705	
6	Log 6		SRV2397-705	
7	Burner Assembly		2355-007	Y
8	Base Pan		2355-110	
9	Glass Door Assembly		GLA-550TR	Y
10	Fire Screen Front		SRV2401-021	Y
11	Hood		2115-230	
12	Drywall Support		2391-119	
13	Junction box		SRV4021-013	Y
14	Elbow Heat Shield		385-290	
	Valve Assembly		See Following Pages	
	Exhaust Restrictor		530-299	
	Exhaust Baffle		550-155	
	Gasket Assembly Contains Burner neck, shutter bracket, vent, seal cap, valve plate, and air passage gaskets		2115-080	
	Glass Latch Assembly	Qty req 2	2382-400	Y
	Lava Rock		4021-297	
	Mineral Wool		050-721	
	Touch Up Paint		TUP-GBK-12	

Additional service part numbers appear on following page.



#15 IPI Valve Assembly



IMPORTANT: THIS IS DATED INFORMATION. Parts must be ordered from a dealer or distributor. **Hearth and Home Technologies does not sell directly to consumers.** Provide model number and serial number when requesting service parts from your dealer or distributor.

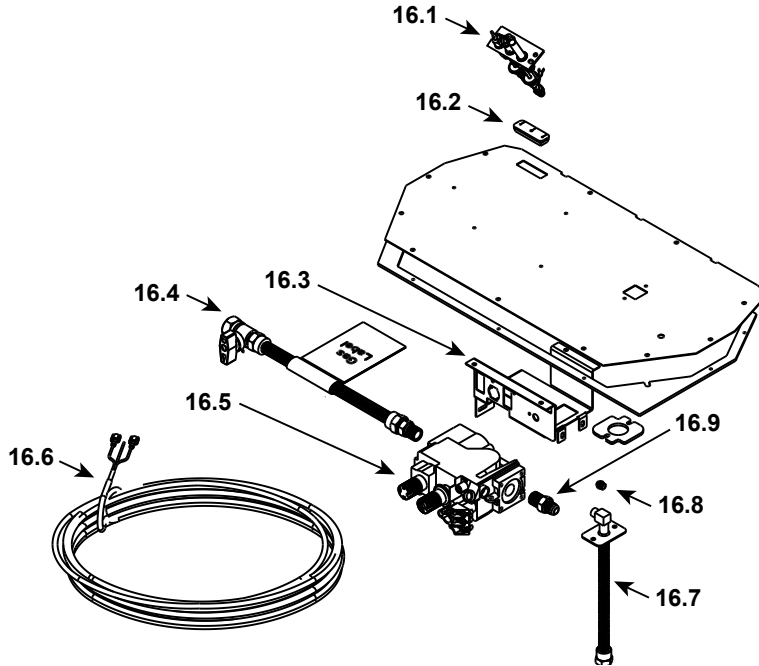


Stocked at Depot

ITEM	DESCRIPTION	COMMENTS	PART NUMBER	
15.1	Pilot Assembly NG		2106-169	Y
	Pilot Assembly LP		2107-070	Y
	Pilot Tube		SRV485-301	Y
15.2	3-Hole Grommet		SRV2118-420	
15.3	Valve Bracket		2118-104	
15.4	Flexible Gas Connector		SRV302-320	Y
15.5	Valve NG		750-500	Y
	Valve LP		750-501	Y
15.6	Thermostat Wire		SRV2118-170	Y
15.7	Module		SRV593-592	Y
15.8	Wire Assembly		SRV593-590	Y
15.9	Flex Tube Assembly		SRV7000-156	Y
15.10	3 Volt Transformer		SRV593-593	Y
15.11	Battery Pack		SRV593-594	Y
15.12	Orifice NG (#45C)		582-845	Y
	Orifice LP (#55C)		582-855	Y
15.13	Male Connector	Pkg of 5	303-315/5	
	Conversion Kit NG		NGK-3732	Y
	Conversion Kit LP		LPK-3732	Y
	Regulator NG		SRVNGK-DXV	Y
	Regulator LP		SRVLPK-DXV	Y
	Pilot Orifice NG		SRV593-528	Y
	Pilot Orifice LP		SRV593-527	Y



#16 SIT Valve Assembly



IMPORTANT: THIS IS DATED INFORMATION. Parts must be ordered from a dealer or distributor. **Hearth and Home Technologies does not sell directly to consumers.** Provide model number and serial number when requesting service parts from your dealer or distributor.



Stocked at Depot

ITEM	DESCRIPTION	COMMENTS	PART NUMBER	
16.1	Pilot Assembly NG		2103-010	Y
	Pilot Assembly LP		2103-011	Y
	Pilot Tube		SRV485-301	Y
16.2	3-Hole Grommet		SRV2118-420	
16.3	Valve Bracket		2118-104	
16.4	Flexible Gas Connector		SRV302-320	Y
16.5	Valve NG		230-0710	Y
	Valve LP		SRV230-0720	Y
16.6	Thermostat Wire		2045-024	Y
16.7	Flex Tube Assembly		SRV7000-156	Y
16.8	Orifice NG (#45C)		582-845	Y
	Orifice LP (#55C)		582-855	Y
16.9	Male Connector	Pkg of 5	303-315/5	
	Conversion Kit NG		NGK32VL	Y
	Conversion Kit LP		LPK32VN	Y
	Regulator NG		230-1570	Y
	Regulator LP		230-1520	Y
	Pilot Orifice NG		SRV2103-116	Y
	Pilot Orifice LP		2103-117	Y