



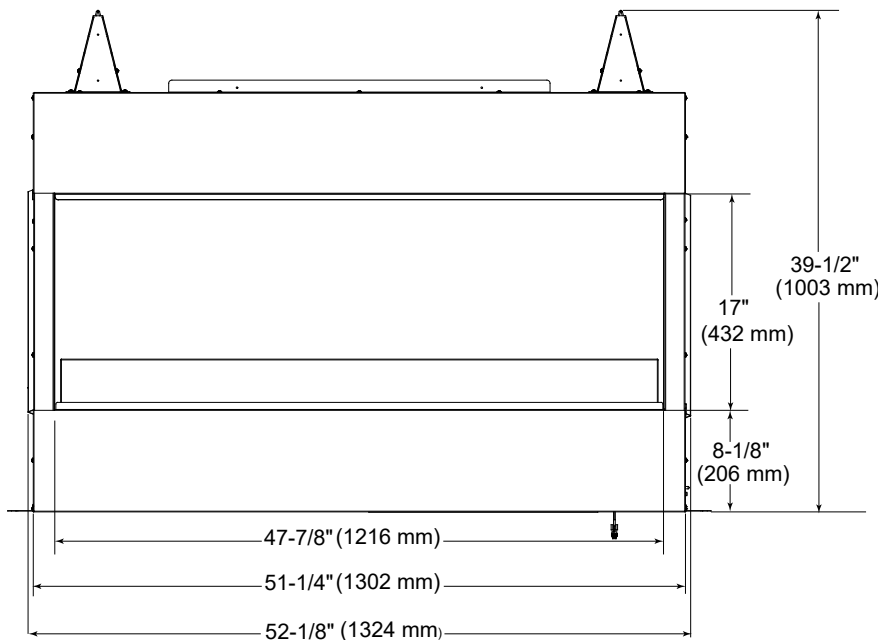
Please consult the manufacturer's installation manual for all details and requirements before making a final design layout decision.

Lanai 48 See-Through

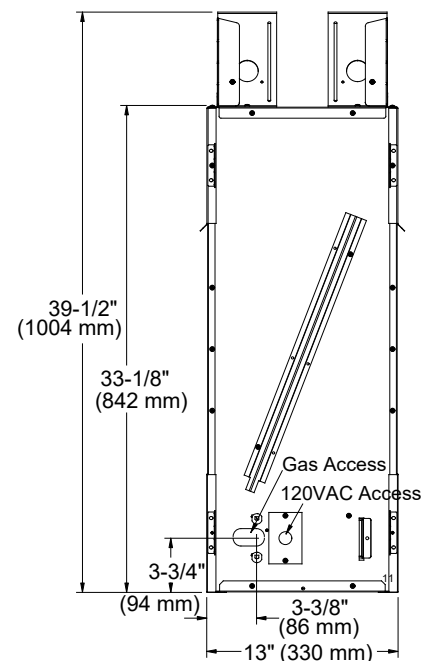
48" Outdoor Gas Fireplace

MODEL	FRONT WIDTH		BACK WIDTH		HEIGHT		DEPTH		VIEWING AREA
	Actual	Framing	Actual	Framing	Actual	Framing	Actual	Framing	
ODLANAIGST-48	52-1/8" [1324]	52-1/8" [1324]	52-1/8" [1324]	52-1/8" [1324]	39-1/2" [1003]	39-3/4" [1009]	13" [330]	11-5/8" [295]	47-7/8" x 17" [1216 x 432]

Front

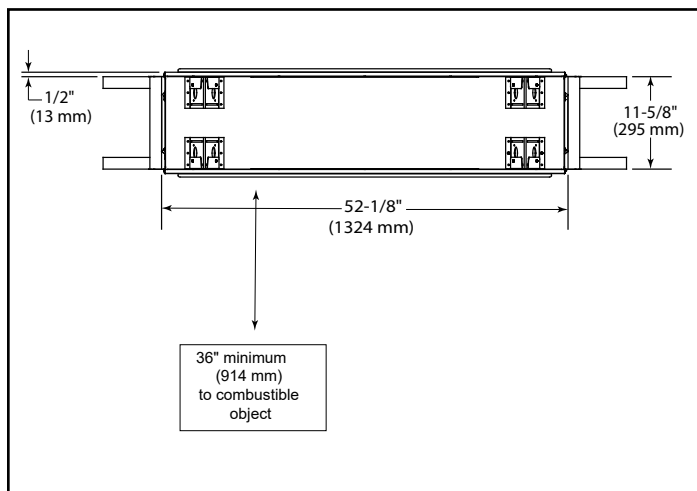


Side

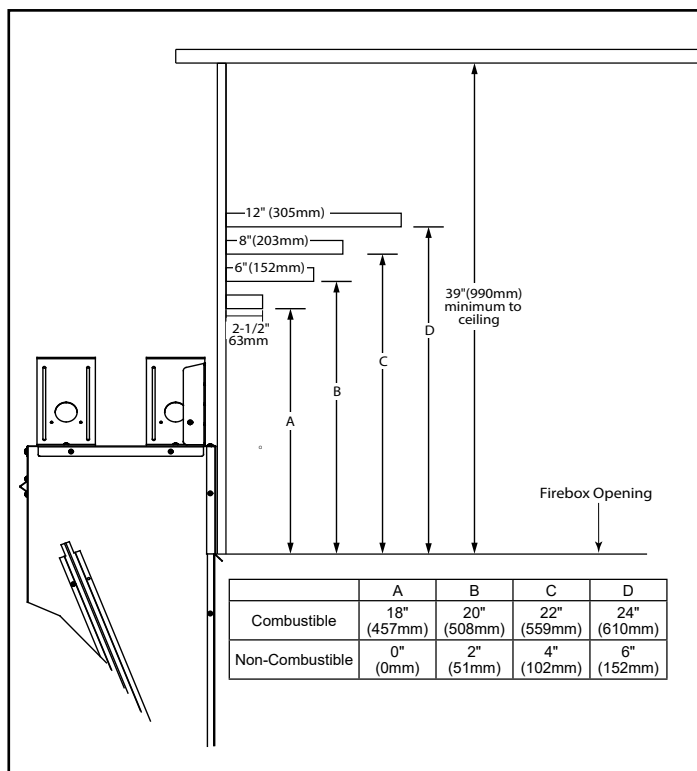


When utilizing the optional drain pan (ODLANAIG-48DP), please refer to installation manual for details.

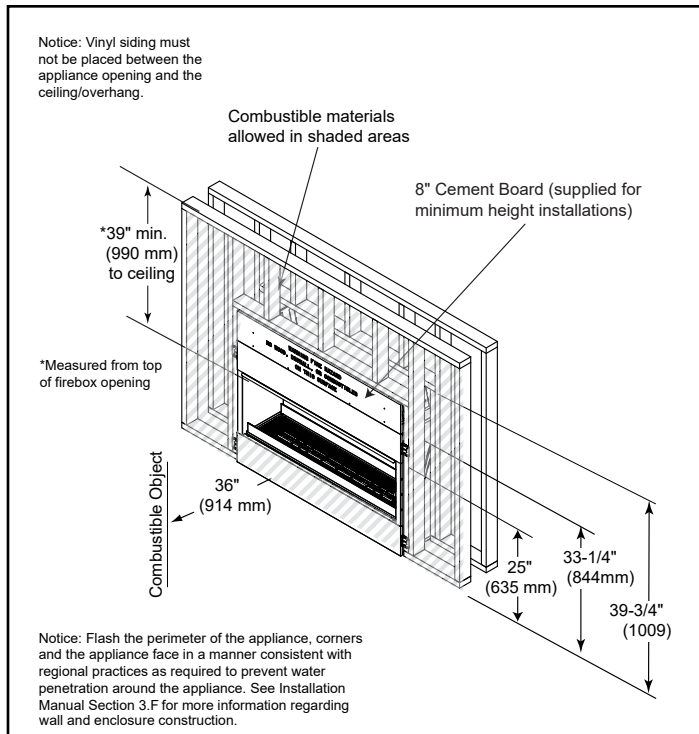
APPLIANCE LOCATION



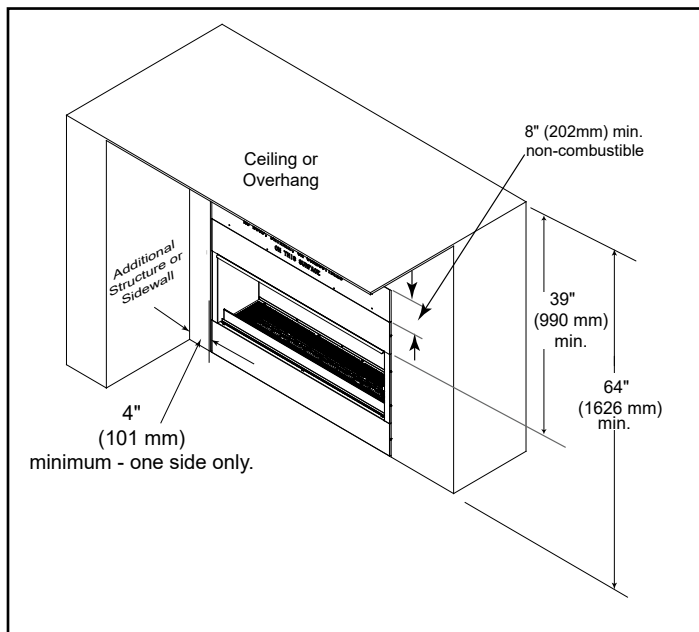
MANTEL PROJECTIONS



FRAMING DIMENSIONS



CLEARANCES TO COMBUSTIBLES



PRODUCT LISTING CODES	
US	ANSI Z221.97-2017
CAN	CSA 2.41-2017

Product information provided is not complete and is subject to change without notice. Product installation must adhere strictly to instructions accompanying product to avoid risk of fire and potential injury.

Additional information can be found online at www.fireplaces.com