

**PHTRIM-36C, PHTRIM-48C, PHTRIM-60C, PHTRIM-72C**

**Models: MEZZO-C Series, CRAVE-C Series, ECHELON-C Series, CERONA-IFT Series, COSMO-IFT-B Series, RAVE-IFT-B Series, JADE-B Series, DVLINEAR36, B41L-AU**

***Passive Heat Trim Kit Installation Instructions***



Leave this manual with party responsible for use and operation.

**CAUTION! Risk of Cuts, Abrasions or Flying Debris.**  
Wear protective gloves and safety glasses during installation. Sheet metal edges are sharp.

**CAUTION! Do not install damaged components.**  
If any parts are missing or damaged, contact your dealer before starting installation. **DO NOT** install a damaged kit.

DANGER

**HOT GLASS WILL CAUSE BURNS.**

**DO NOT TOUCH GLASS UNTIL COOLED.**

**NEVER ALLOW CHILDREN TO TOUCH GLASS.**

A barrier designed to reduce the risk of burns from the hot viewing glass is provided with this appliance and must be installed for the protection of children and other at-risk individuals.

**Introduction**

This trim kit is used with the Passive Heat Front Discharge (PH-FRT) Heat Management System, which conveys warm air from the fireplace into the same room through a front discharge. Installation of the Passive Heat kit must be done in conjunction with the appliance installation. Follow instructions included with the Passive Heat Front Discharge kit to complete installation of the Passive Heat system. Installation of this kit **MUST** be performed by a qualified service technician.

**WARNING! Risk of Fire! DO NOT install the Passive Heat system with models that are not approved.** Overheating will occur.

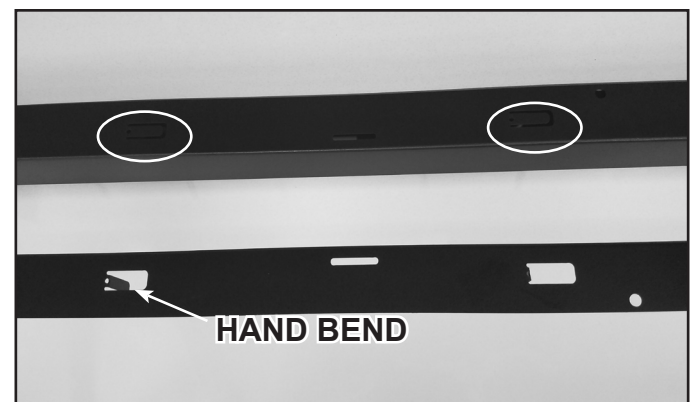
**Kit Contents**

Verify and remove contents from packaging before beginning installation.

- (1) Vent Cover
- (1) Vent Back Plate
- (10) 2 Inch Drywall Screws

**Installation**

1. Locate hand bends on the vent back plate as shown in Figure 1. Use a screwdriver to bend them outward. The number of hand bends may vary by appliance size.



**Figure 1 Back Plate Hand Bends**

2. Install the vent back plate with the bends oriented toward the wall and the longest bend on top as shown in Figure 4.
3. Attach the vent back plate to the wall using the drywall screws provided. See Figures 2 and 5.
4. Secure the inside bends to the framing using two drywall screws as shown in Figure 5.
5. Attach the vent cover to the vent back plate by lining up the hooks of the vent cover plate to the slots on the vent back plate. Slide cover to engage hooks. See Figure 2 (front view) and Figure 3 (rear view).

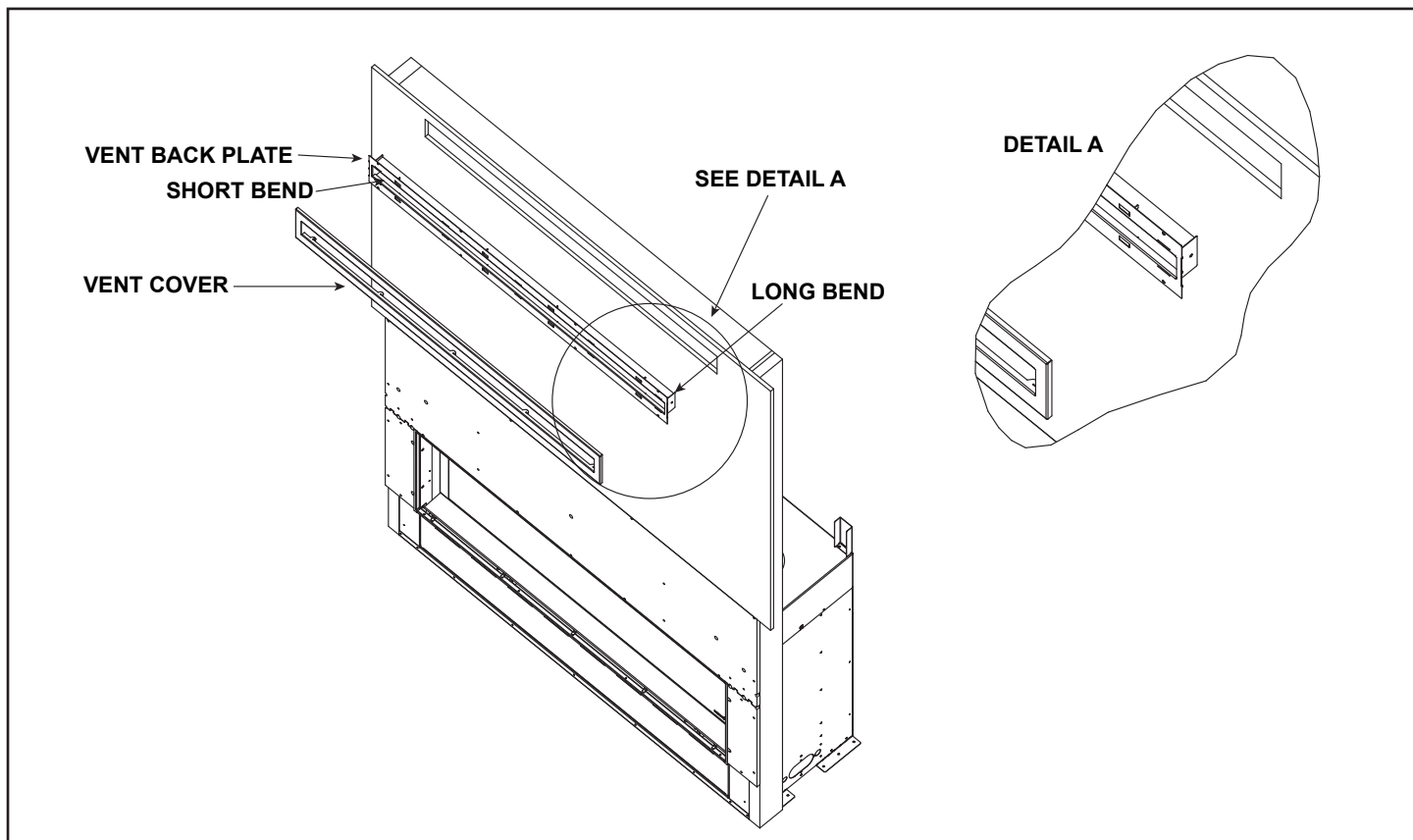


Figure 2 Orientation of Back Plate Bends

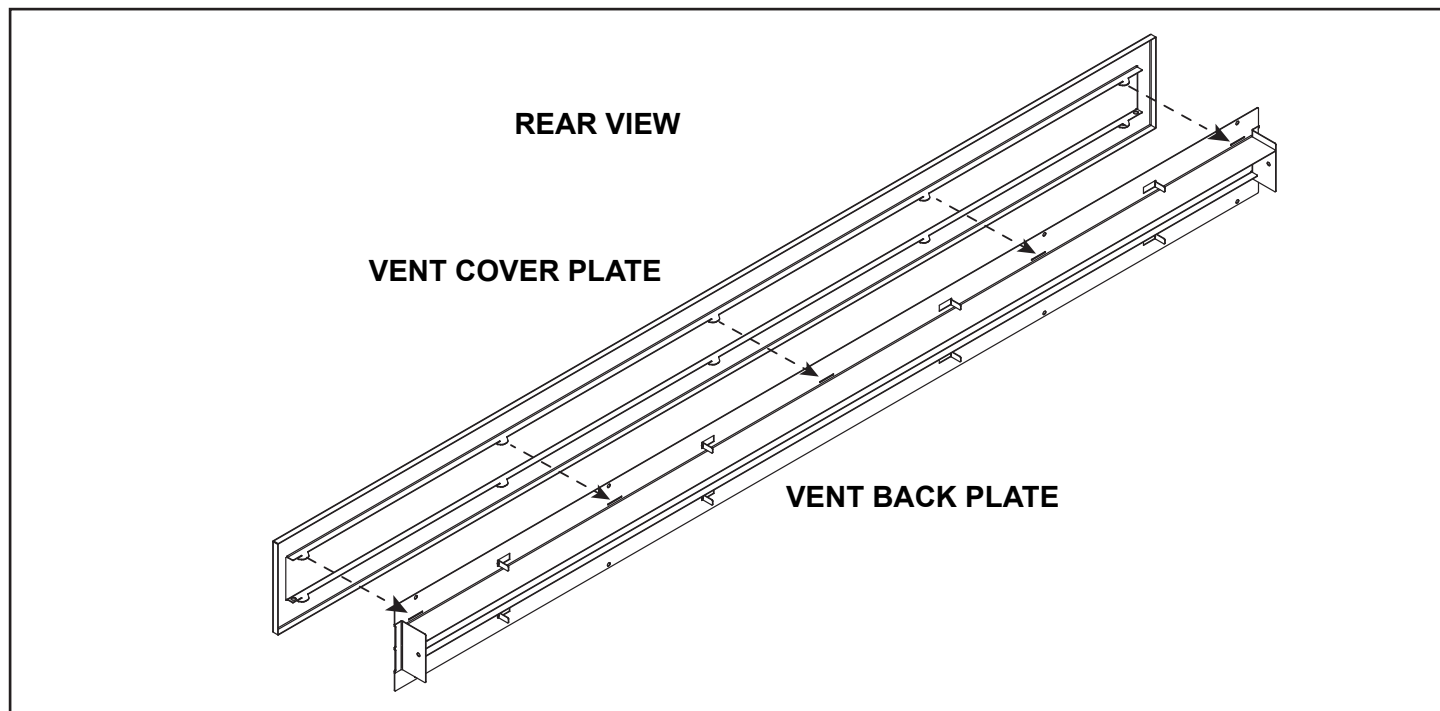


Figure 3 Attach Vent Cover to Vent Back Plate - Rear View

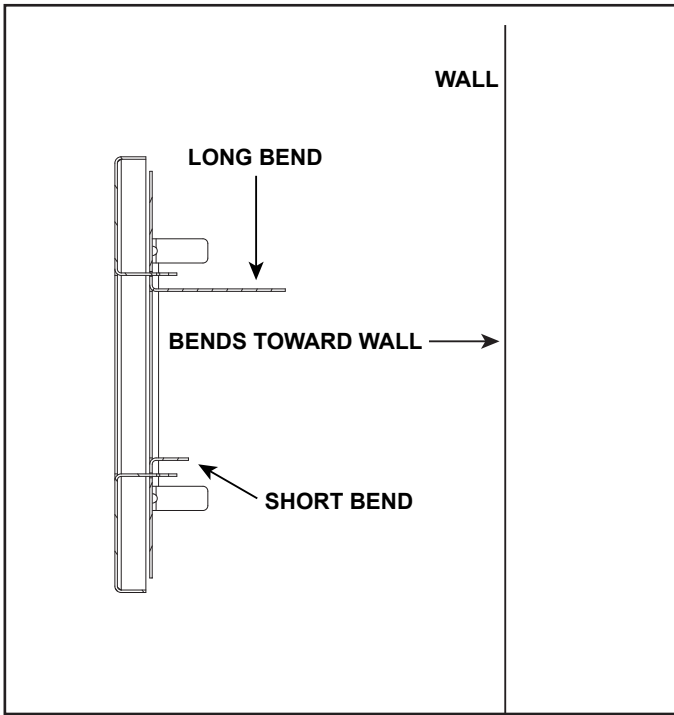


Figure 4 Vent Back Plate Orientation

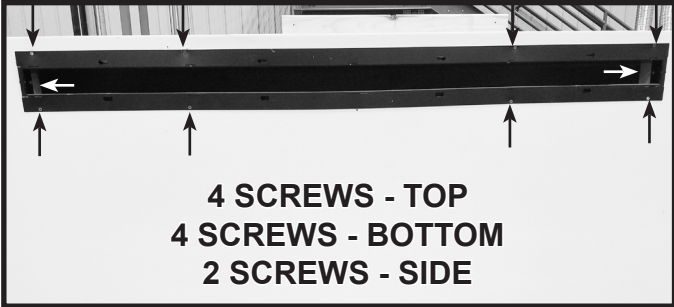


Figure 5 Attach Back Plate to Wall



Figure 6 Vent Cover Installed

## Finishing

1. Apply wall sheathing material, such as drywall up to 1/2 in. (13mm) thick up to the edge of the discharge opening.

**WARNING! Risk of Overheating! DO NOT** apply wall sheathing past the edge of discharge opening or finishing templates. Remove finishing templates before appliance operation. Overheating of appliance and combustible materials will occur.

### 2. Facing Material with Front Trim Kit (PH-TRIM-36C/48C/60C/ 72C)

1 Inch Thick or Less: When using Non-Combustible facing material in this thickness range, the Overlap Fit method may be used. Place facing materials up to the edge of the discharge opening and install trim kit as instructed. Facing must not interfere with the air flow through the trim kit.

Greater than 1 Inch: Non-Combustible facing material in this thickness range must use the Inside Fit method. Place facing materials up to 1/2 in. (13mm) away from the edge of the trim kit to allow for proper removal of the vent cover. Install trim kit as instructed. Consult the appliance Installation Manual to determine maximum facing material thickness.

3. Install trim kit as instructed.

## Painting

The location of the Passive Heat discharge opening could allow for venting and other construction materials to be visible. It is recommended to paint the vent pipe, firestop, and other visible construction materials, as shown in Figure 7, using a high temperature paint with a minimum of 300 °F continuous exposure rating. Hearth & Home Technologies recommends using black touch up paint (part number TUP-GBK-12) available from your Hearth & Home Technologies dealer.

If desired finishing includes painting of the front discharge vent cover and screws, 100% acrylic latex paint with compatible primer is recommended.

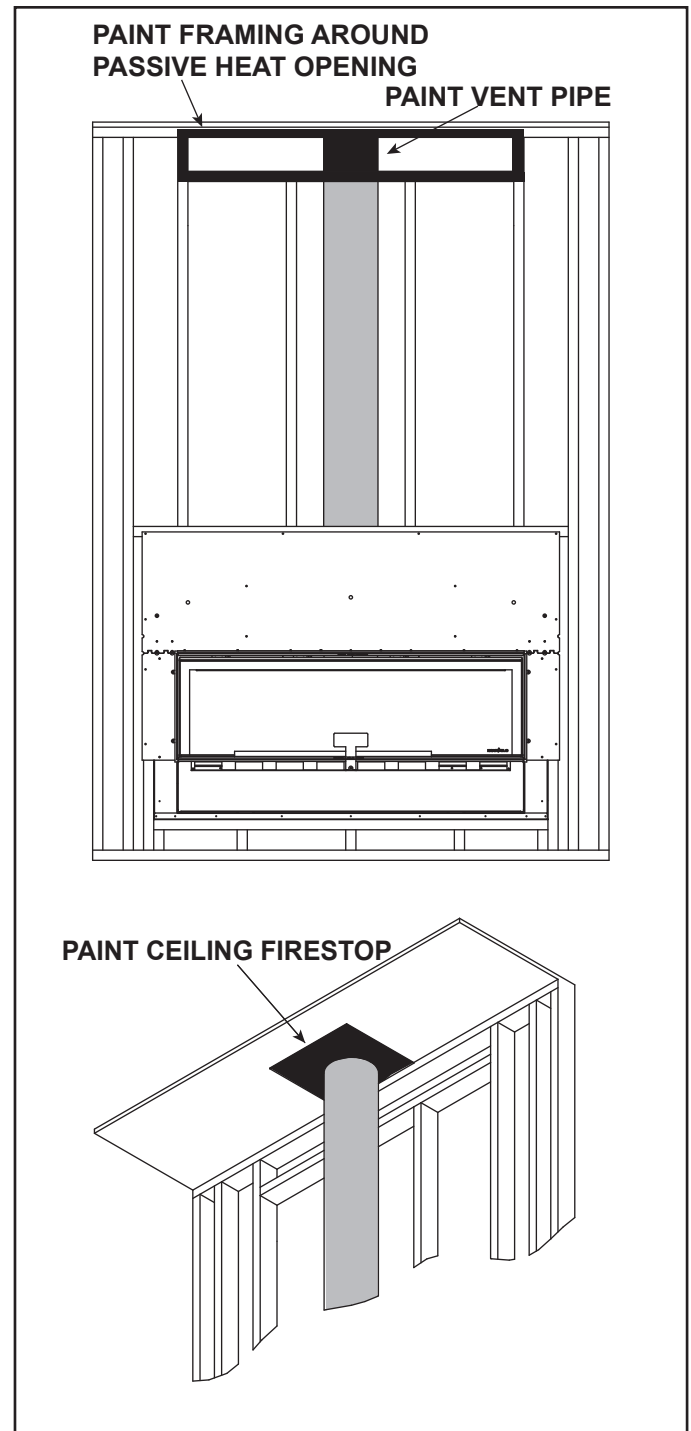


Figure 7 Painting Visible Components

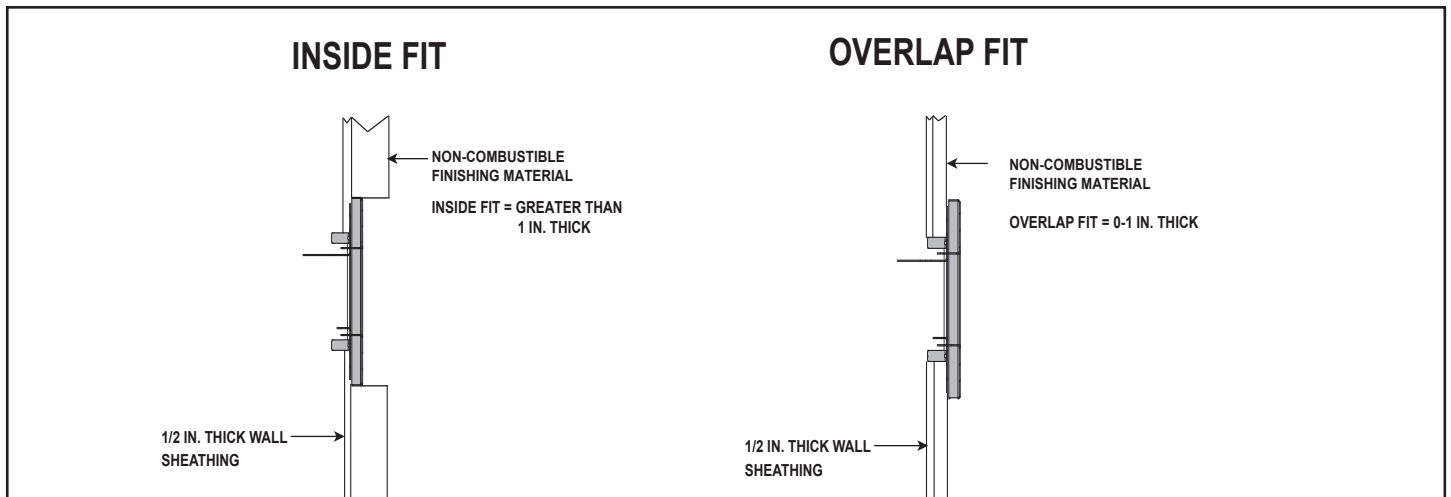


Figure 8 Finishing Material Installed

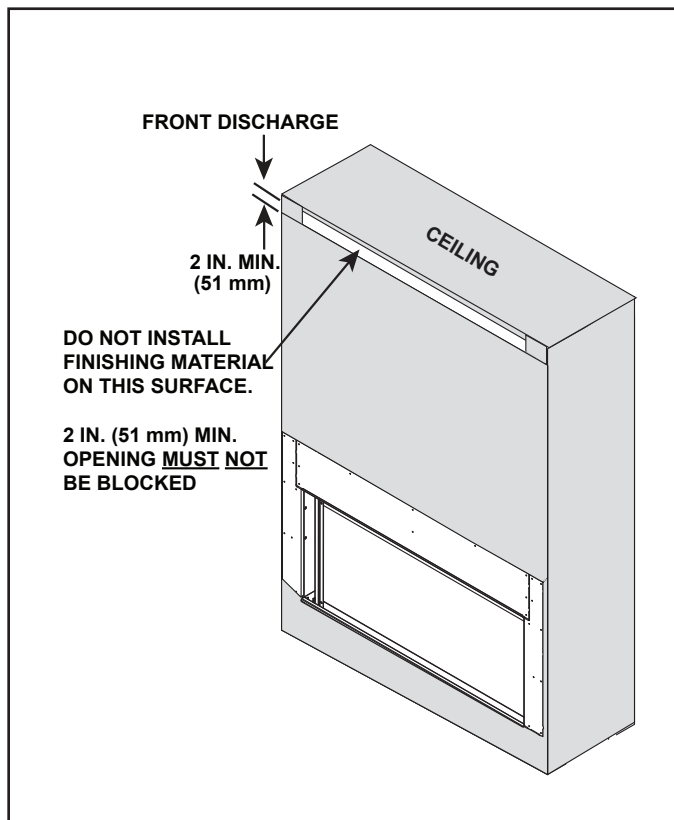


Figure 9 Finishing Material Installed

### Mantel Projections

Refer to the appliance Installation Manual.

### Maintenance

Service and maintain the gas fireplace per instructions. Keep the air register(s) clean and free of any blockage.

Please contact your Hearth & Home Technologies dealer with any questions or concerns. For the location of your nearest Hearth & Home Technologies dealer, please visit [www.hearthnhome.com](http://www.hearthnhome.com).

Hearth & Home Technologies  
 7571 215th Street West, Lakeville, MN 55044  
[www.hearthnhome.com](http://www.hearthnhome.com)