

LK3-1 ACCENT LIGHT ACCESSORY

INSTALLATION INSTRUCTIONS

INSTRUCTIONS MUST BE LEFT WITH THE OWNER FOR FUTURE REFERENCE AFTER INSTALLATION

The LK3 Accent Light Kit model is available for installation in the top of the firebox on designated Vent Free Firebox Series listed below, providing the junction box has been pre-wired with separate circuits as described in the “Wiring Instructions for Installing a Dual Receptacle” on Page 3.

NOTE: The Accent Light kit may be installed at any time on louvered, or on flush panel Firebox models.

For use on:

Vent Free Premium Fireboxes: VFP(32,36,42)FB2C(F,L)-2; VFP(32,36,42)FB2D(F,L)-3; VFP(32,36,42)FB2E(F,L)-2;
Vent Free Select Fireboxes: VFS(32,36,42)FB(2,3)DF-2; VFS(32,36,42)FB(2,3)EF-3

CAUTION: ALL WIRING SHOULD BE DONE BY A QUALIFIED ELECTRICIAN AND SHALL BE IN COMPLIANCE WITH ALL LOCAL, CITY AND STATE BUILDING CODES. BEFORE MAKING THE ELECTRICAL CONNECTION, MAKE SURE THAT MAIN POWER SUPPLY IS DISCONNECTED. THE APPLIANCE, WHEN INSTALLED, MUST BE ELECTRICALLY GROUNDED IN ACCORDANCE WITH LOCAL CODES, WITH THE NATIONAL ELECTRICAL CODE ANSI/NFPA 70 (LATEST EDITION).

INSTALLATION INSTRUCTIONS

1. Remove the blower cover plate. See Figure 1.

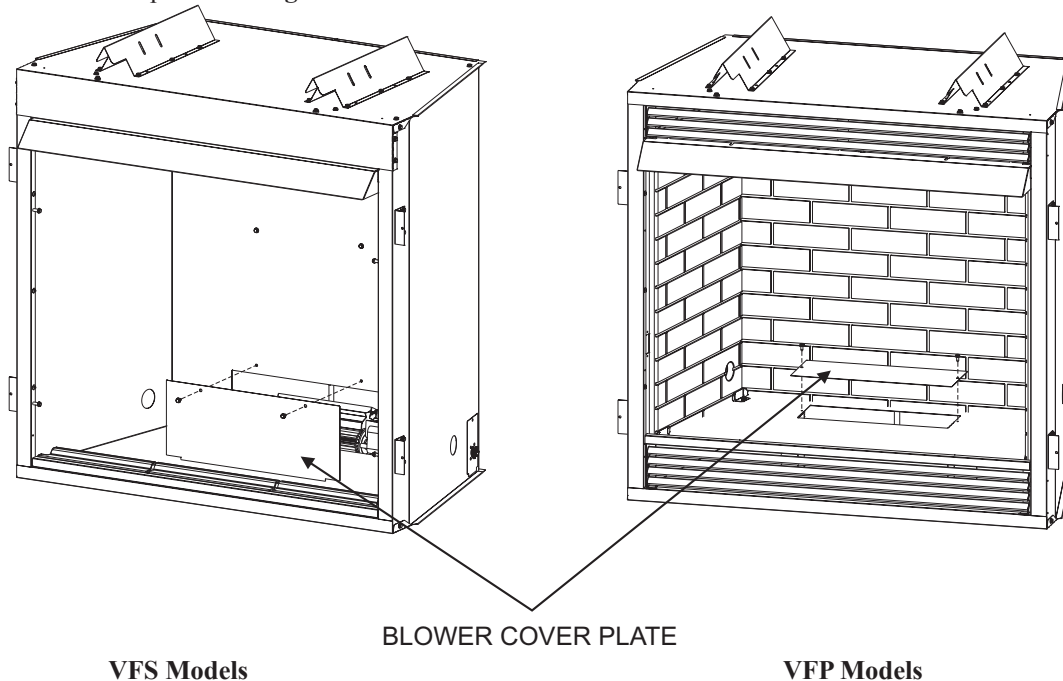


Figure 1

2. Locate the Junction Box in the bottom compartment of the Firebox to determine if it has been pre-wired or not. If the Junction box has been pre-wired, then you should check to see if the receptacle was split wired to allow for independent operation of a blower and light kit. If pre-wired as a split or dual switch receptacle, then you can proceed on with the light kit installation. If the Junction box is not wired in this manner, please refer to the section “Wiring for a dual switch/receptacle wired to an On/Off, or dimmer switch” located in the Firebox Installation Instructions.
3. Once the Junction box wiring is completed you may proceed with the installation of the LK3 Accent Light kit.

INSTALLATION INSTRUCTIONS

4. Bend the slotted tab in the back panel of the firebox all the way back with a standard screwdriver. See **Figure 2**. This provides an access hole to run the accent light wiring through and down the back of the firebox.

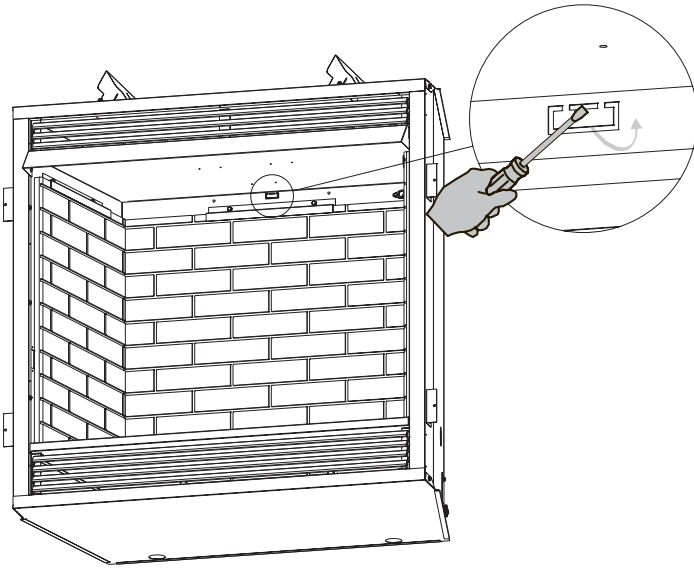


Figure 2

5. Next, locate the accent light kit housing assembly. Run the wire assembly through the hole in the back panel between the firebox wall and the outer wrapper wall. See **Figure 3**.
6. While feeding the wiring through the hole in the back panel of the firebox, raise the housing assembly to the firebox top, secure the housing assembly with (2) #10 x 1/2" hex head screws. Be sure glass lens is centered in firebox, and that the wires are routed through the flanged side of housing assembly toward the rear of the unit. See **Figure 3**. Check to make sure the wiring is not pinched, or in a bind when securing this assembly.

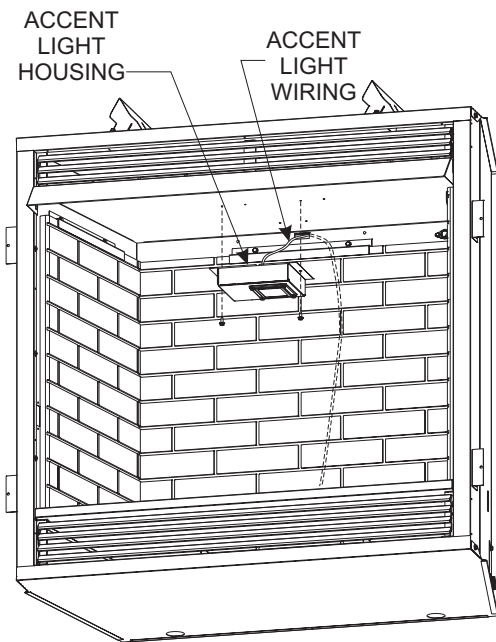


Figure 3

7. Insert bottom flange of wire channel into the hole in the rear panel slide wire channel with bottom flange in hole to one side allowing the opposite flange to slide behind the back panel. Slide wire channel, with one flange and bottom flange behind the back panel, allowing the last flange to slide behind the back panel. Secure the wire channel with (2) #10 x 1/2" hex head screws. See **Figure 4**. Check to make sure the wiring is not pinched, or in a bind when securing this assembly.

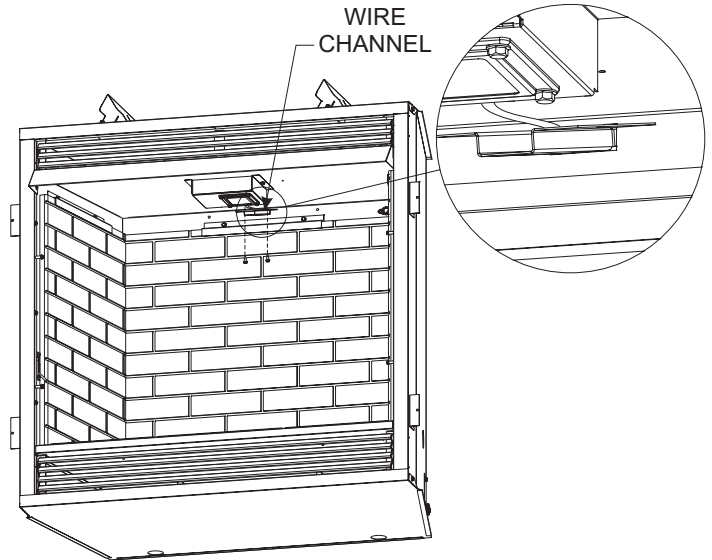


Figure 4

8. Locate the wires dropped down the rear cavity of the firebox. Working through the blower access opening, attach the Light assembly wire connectors (previously dropped down between the firebox and the outer wrap walls) to the corresponding connectors of the Power cord assembly. See **Figure 5**.

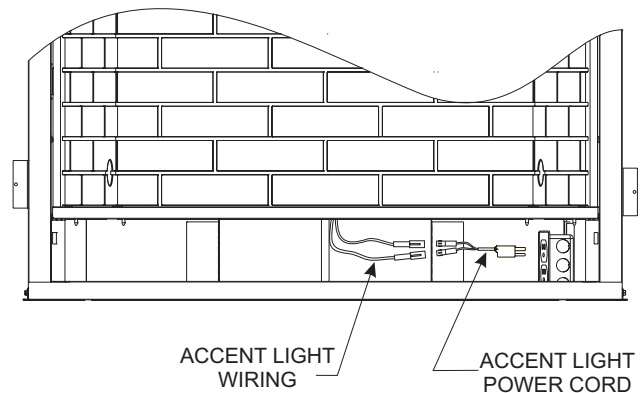


Figure 5

9. Plug the power cord into one of the receptacle outlets in the junction box, then check for proper light control operation. Install an SCV-1 variable control wall switch on the same wiring circuit in order to have a variable light brightness control that is readily accessible.
10. Once the light kit has been installed and tested, replace all panels, access covers and brick liners.
11. This completes the installation of the LK3 Accent Light kit.

INSTALLATION INSTRUCTIONS

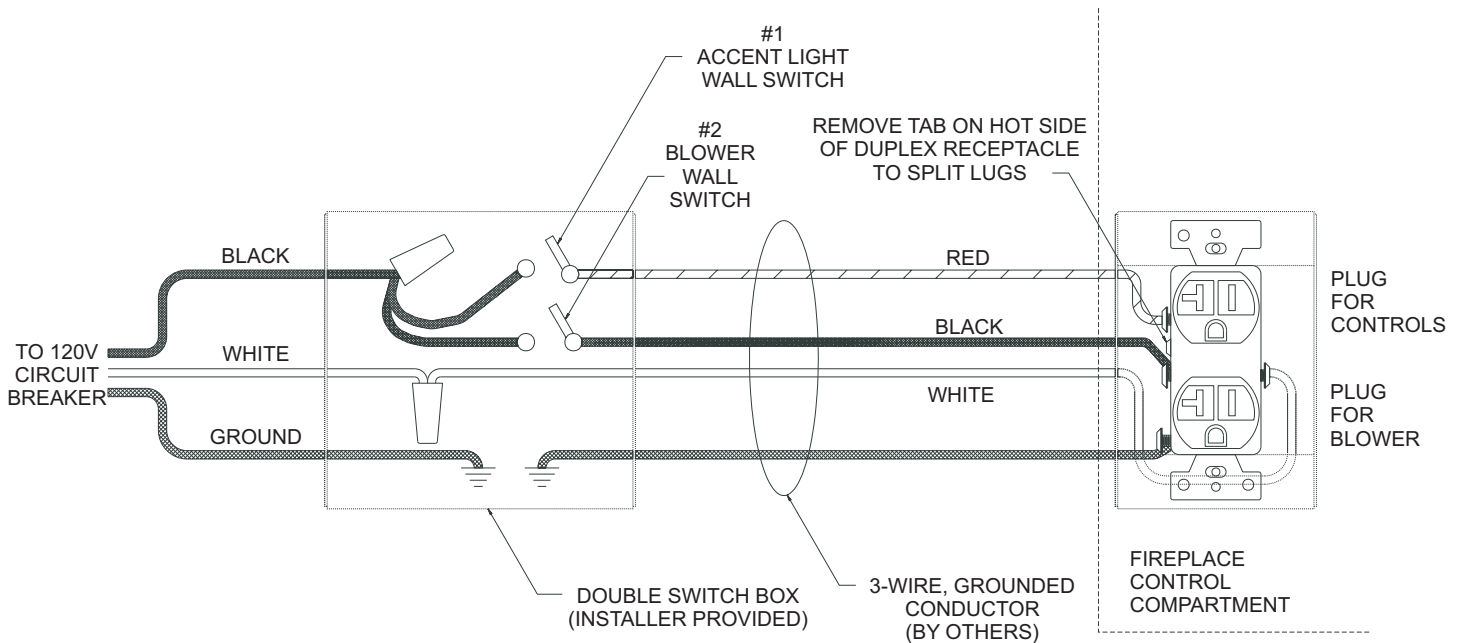
Bulb Replacement

For bulb replacement, turn power off to the appliance. Next, remove the glass bezel by gently prying downward, then remove the bulb. Replace with a new bulb and re-install the glass bezel.

Note: Replacement bulb must be a Phillips XF2, 25W, 300°C, 125-130V or X9C, 15W, 300°C, 125-130V or equivalent.

WIRING INSTRUCTIONS FOR INSTALLING A DUAL SWITCH / RECEPTACLE

In order to install both the optional Blower and Accent Light accessories, it will be necessary to install the junction box so that the Duplex Receptacle wiring is split. This will allow each side of the receptacle to operate independently off separate wall switches. See diagram below.

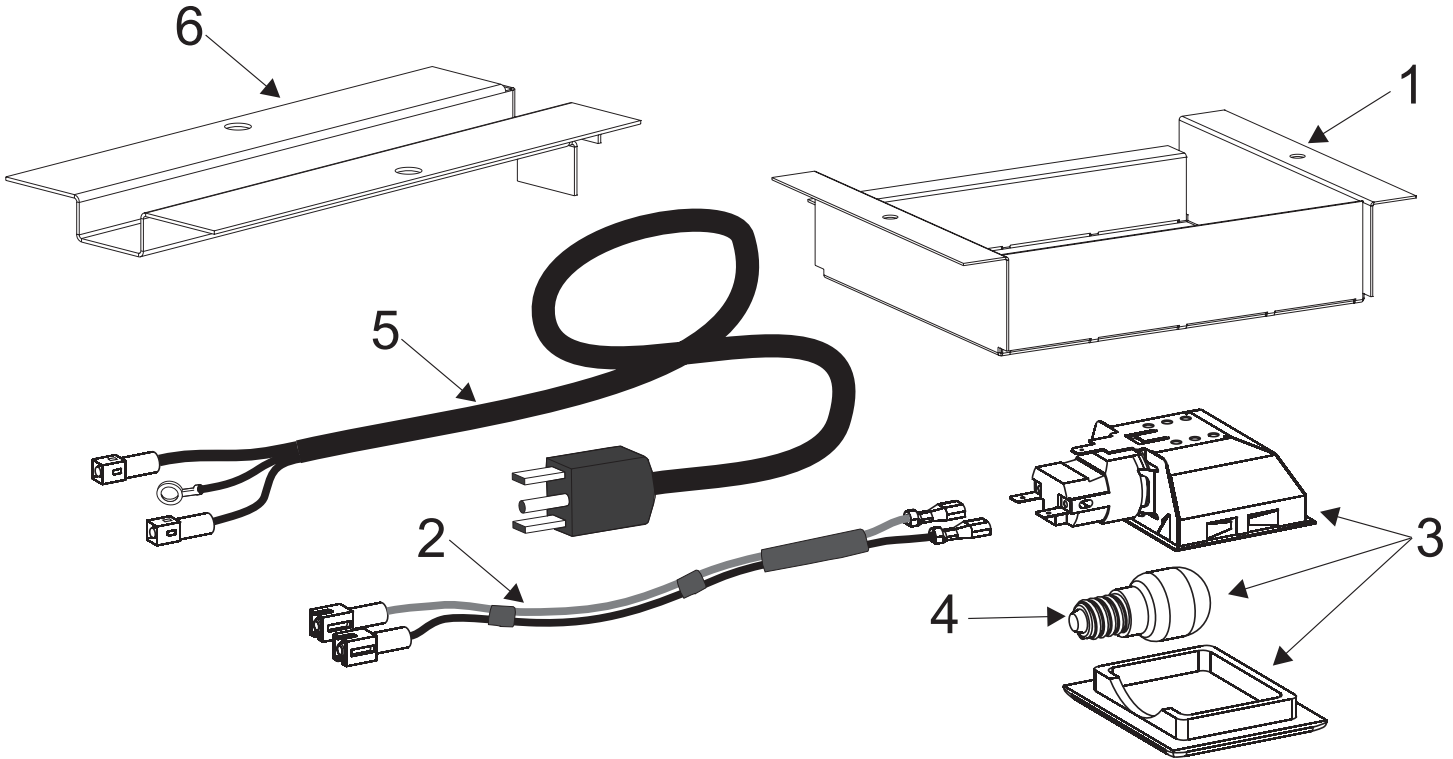


DUAL SWITCH ELECTRICAL WIRING TO FIREPLACE RECEPTACLE

1. To wire Junction Box Receptacle, remove the tab on the side of the receptacle (hot side) to split receptacle. This will be required to separate blower and Accent Light circuits.
2. Power for switched and live sides of Duplex Receptacle must come from the same power source. One circuit breaker on main panel must switch all power off.
3. From the wall box to the fireplace a 3-wire conductor with ground is recommended, however (2) two-wire conductors with grounds may be used in place of a 3-wire conductor with a ground if the black wires from the Accent Light and blower accessories are identified.
4. Two wall switches should be used to activate the two receptacle plugs independently.

Note: Wiring to the Junction Box should be run through the 7/8" diameter access hole located on one of the sides of the fireplace outer wall. A Romex type connector is provided with the fireplace and should be used to protect and restrain the wiring where it passes through the fireplace outer wall. The Junction Box should be positioned in the lower compartment of the firebox so that it does not interfere with moving parts of the blower assembly. The Junction Box incorporates magnets on the bottom side to retain and reduce the chance of movement or vibration during blower operation.

EXPLODED VIEW & PARTS LIST



INDEX NO.	PART NO.	DESCRIPTION
1	25125	HOLDER
2	R-10304	WIRE ASSEMBLY, ACCENT LIGHT
3	R-9828	ACCENT LAMP (INCLUDES BULB, GLASS BEZEL, & LAMP HOUSING)
4	R-9926	REPLACEMENT BULB, Phillips XF2, 25W, 300°C, 125-130V or X9C 15W, 300°C 125-135V
5	R-3529	CORD SET
6	25111	WIRE CHANNEL



Empire Comfort Systems Inc.
918 Freeburg Ave. Belleville, IL 62220

If you have a general question about our products, please e-mail us at
info@empirecomfort.com.

If you have a service or repair question, please contact your dealer.

www.empirecomfort.com