



Rasmussen
THE GAS LOG COMPANY

LC Multi-Burner Hearth Kit

**Assembly, Installation, and Operation
Instructions for Rasmussen
LC Vented Gas Log Burner Models (use with Rasmussen
"Evening Series" and PH logs for best effect:**

MATCHLIT:	LC (18,24,30)-N For use with Natural Gas Only
MANUAL CONTROL:	LC (18,24,30)-M-(N,P) with Manual Safety Control
SWITCH CONTROL:	LC (18,24,30)-S-(N,P) with Millivolt Switch? Reote Ready Safety control

IMPORTANT: READ THESE INSTRUCTIONS CAREFULLY BEFORE
BEGINNING INSTALLATION OF LOG SET.

WARNING: MATCHLIT BURNER IS NOT DESIGNED FOR USE WITH PROPANE/LP
GAS. A SAFETY PILOT MUST BE INSTALLED ON ALL UNITS
DESIGNED OR CONVERTED TO BURN PROPANE/LP GAS

WARNING: This is a vented gas appliance requiring a solid fuel burning fireplace
constructed of non combustible material with a FULLY FUNCTIONAL CHIMNEY
FLUE WHICH MUST VENT ALL PRODUCTS OF COMBUSTION.
WHEN OPERATING, THE CHIMNEY DAMPER MUST BE FULLY OPEN.

WARNING: If the information in this manual is not followed exactly, a fire or explosion
may result causing property damage, personal injury or loss of life

WARNING: Improper installation,
adjustment, alteration, service or
maintenance can cause property
damage, personal injury or loss of life.
Read these instructions thoroughly
before installation.
For assistance or additional information,
consult your gas log dealer, qualified
installer, service agency or gas supplier.

WHAT TO DO IF YOU SMELL GAS

- Do not try to light any appliance.
- Do not touch any electrical switch; do not use any phone in your building.
- Immediately call your gas supplier from a neighbors phone. Follow the gas supplier's instructions.
- If you cannot reach your gas supplier, call the fire department.

FOR YOUR SAFETY: Do not store or use gasoline or other flammable
vapors and liquids in the vicinity of this or any other appliance.

Installation and service must be performed by a qualified installer, service
agency or the gas supplier.

**THIS BURNER IS FOR USE ONLY IN A FULLY FUNCTIONING WOOD BURNING FIREPLACE WITH
THE DAMPER WIDE OPEN. THE FLUE MUST VENT ALL PRODUCTS OF COMBUSTION.**

IMPORTANT INSTALLATION REQUIREMENTS

THIS BURNER FOR USE ONLY IN A FULLY FUNCTIONING SOLID FUEL BURNING FIREPLACE CONSTRUCTED OF NON COMBUSTIBLE MATERIAL WITH A WORKING FLUE.

WHEN OPERATING, THE DAMPER MUST BE WIDE OPEN. THE FLUE MUST VENT ALL PRODUCTS OF COMBUSTION.

TO PROVIDE AIR FOR SAFE COMBUSTION, COMPONENT COOLING AND VENTING, GLASS DOORS MUST BE KEPT WIDE OPEN WHEN THE BURNER IS ON . AFTER USE, ALLOW GAS LOGS TO COOL BEFORE CLOSING GLASS DOORS.

Installation Requirements:

THIS BURNER IS FOR USE ONLY IN A FULLY FUNCTIONING WOOD BURNING FIREPLACE WITH THE DAMPER WIDE OPEN. THE FLUE MUST VENT ALL PRODUCTS OF COMBUSTION.

1. The installation and the provisions for combustion and ventilation air must conform with the *National Fuel Gas Code ANSI Z223.1 - Latest Edition* or the *CSA B149.1 Natural Gas and Propane Installation Guide*.
2. A manufactured home (USA only) or mobile home OEM installation must conform with the (U.S.) *Manufactured Home Construction and Safety Standard, Title 24 CFR, part 3280*, or, when such a standard is not applicable, the *Standard for Fire Safety Criteria for Manufactured Home Installation Sites and Communities, ANSI/NFPA 501A*, the U.S., or the *Mobile Homes Standard, CAN/CSA-Z240 MH series* in Canada.

Gas Supply and Pressure Requirements:

1. **Verify appliance gas type:** Verify that the Burner-Valve assembly is correctly matched to the gas supply.

NATURAL GAS	LC-(18,24,30)-N	MATCHLIT Only	Pan filler = White Sand
NATURAL GAS	LC-(18,24,30)-M-N	LC-(18,24,30)-S-N	Pan filler = White Sand
PROPANE GAS	LC-(18,24,30)-M-P	LC-(18,24,30)-S-P	Pan Filler = Volcanic Ash

NOTE: Propane Valve Assemblies can be quickly identified by the Air Mixer hole present on the Black Iron Coupling.

WARNING: MATCHLIT BURNER IS NOT DESIGNED FOR USE WITH PROPANE/LP GAS. A SAFETY PILOT MUST BE INSTALLED ON ALL UNITS DESIGNED OR CONVERTED TO BURN PROPANE/LP GAS

2. If local gas supply valve is not already installed at the installation, install a gas valve on the supply line in or just outside the fireplace in accordance with the provisions of the *National Fuel Gas Code ANSI Z223.1 - Latest Edition* or the *CSA B149.1 Natural Gas and Propane Installation Guide*.
3. **Natural Gas Operating Pressures:** The minimum inlet gas supply pressure for the purpose of input adjustment shall be 6 inches of water column. The maximum inlet gas supply pressure shall be 7 inches of water column.
4. **Propane Gas Operating Pressures:** The minimum inlet gas supply pressure for the purpose of input adjustment shall be 11 inches of water column. The maximum inlet gas supply pressure shall be 14 inches of water column.

The gas supply must be regulated prior to input into the appliance. Never connect this appliance directly to an unregulated Propane tank. Do not conduct line pressure testing in excess of 1/2 psig without first isolating the appliance. see Pressure Testing, page 4.

Firebox Requirements:

1. This gas log set must only be installed in a solid-fuel burning fireplace constructed of non combustible material with a working flue. **The flue must be operable and must exhaust all products of combustion.**

Firebox Sizing Requirements:

2. The minimum size (in inches) of the fireplace in which the log set is to be installed must be in accordance with the "**MINIMUM FIREPLACE SIZE IN INCHES**" below:

MINIMUM FIREPLACE SIZE IN INCHES

LOG SET SIZE	HEIGHT	DEPTH	FRONTWIDTH	CHIMNEY
18 INCH	16	16	26	7 INCH DIAMETER
24 INCH	16	16	38	7 INCH DIAMETER
30 INCH	16	16	36	8 INCH DIAMETER

Required Fireplace Preparation Prior to Installation:

1. Firebox and chimney damper/flue must be thoroughly cleaned (if previously used for either gas or wood burning.)

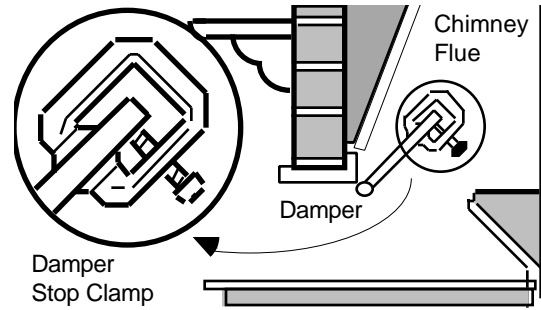
WARNING: Before installing in a solid fuel burning fireplace, the chimney flue and firebox must be cleaned of soot, creosote, ashes and loose paint by a qualified chimney cleaner.

2. The area around the installation must be clear and free from combustible materials, gasoline and any other flammable vapors and liquids. Provide adequate clearances for servicing and proper operation.

IMPORTANT INSTALLATION REQUIREMENTS

Required Minimum Permanent Chimney Damper Opening:

1. The chimney damper must be fixed in a manner to maintain a permanent free opening of at least **39 square inches** based on a minimum chimney height of at least 8 feet. The area of the flue must not be less than 1/10 the area of the fireplace opening. **The flue must exhaust all products of combustion. MINIMUM PERMANENT CHIMNEY OPENING** is accomplished by either installing the provided damper clamp, permanently fixing the damper open, or by drilling holes in the damper blade.



Attaching Damper Clamp:

1. Install the damper clamp (provided) on the edge of the damper blade to prevent its closing, or drill holes in the damper.

WARNING: Minimum Permanent Chimney Damper Opening is the minimum permanent opening required by Standard or Codes to ensure safe operation of the appliance. It is **not the minimum operating damper position. When operating this appliance, THE DAMPER MUST BE WIDE OPEN. The flue must vent all products of combustion.**

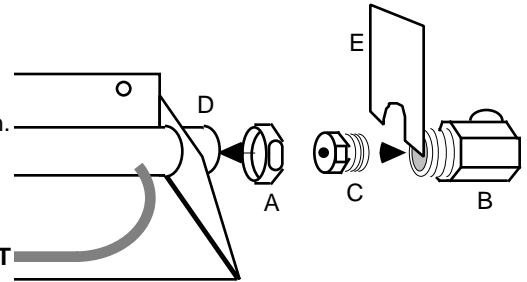
ASSEMBLY (Natural Gas Match Lighted Models Only)

WARNING: Match Lighted LC (18,24,30)-N is for use with natural gas only. A safety pilot must be installed on all units designed or converted to burn Propane/LP gas.

Required Tools And Materials: Screw Driver, Adjustable Wrench, Pipe Wrench, Pipe Sealing Compound or Teflon Tape.

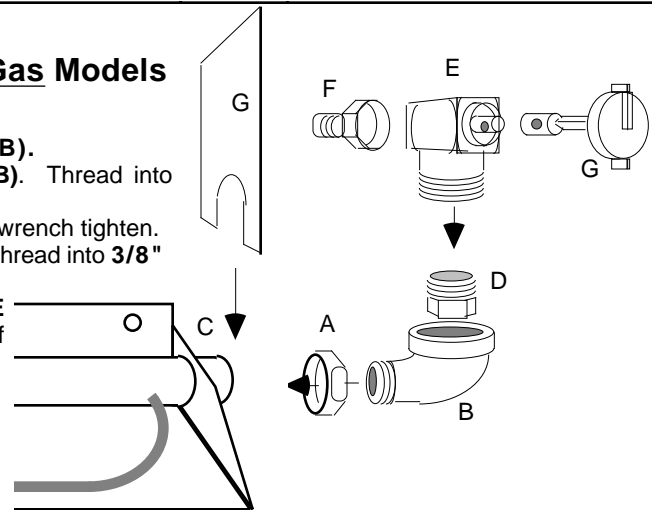
Natural Gas Match Lighted Model Assembly

1. Wrench tighten **LOCKING PAL NUT (A)** onto the non-flared end of **3/8" ORIFICE HOLDER (B)**.
2. Thread **ORIFICE SPUD (C)** into **3/8" ORIFICE HOLDER (B)** and tighten.
3. Apply pipe compound to the outside threads of the **3/8" ORIFICE HOLDER (B)**. Thread into **TOP BURNER TUBE (D)**. Wrench tighten with the flared connection facing towards rear.
4. Insert **RATING PLATE/HEAT SHIELD (E)** between the **LOCKING PALNUT (A)** and **BURNER TUBE (D)**. Wrench tighten **LOCKING PAL NUT**



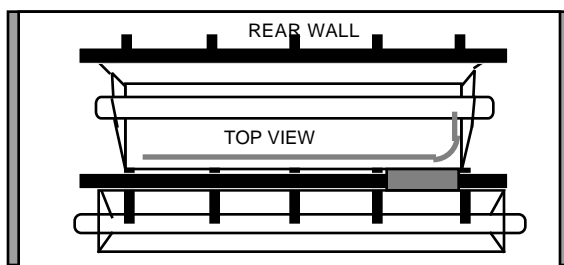
Natural Gas Match Lighted Model with Accessory V-17 (For use only with Natural Gas Models LC (18,24,30)-N) Assembly

1. Wrench tighten **LOCKING PAL NUT (A)** onto **3/8" ELBOW (B)**.
2. Apply pipe compound to threaded end of **3/8" STREET EL (C)**. Thread into **TOP BURNER TUBE (D)** and wrench tighten to position shown.
3. Thread **ORIFICE SPUD (D)** into **3/8" V-17 VALVE (E)** and wrench tighten.
4. Apply pipe compound to orifice end of **3/8" V-17 VALVE (E)**. Thread into **3/8" STREET EL (B)** and wrench tighten to position shown.
5. Apply pipe compound to inlet side threads of **3/8" V-17 VALVE (E)**. Thread **3/8" CONNECTOR FITTING (F)** onto inlet side of **3/8" V-17 VALVE (E)** and wrench tighten.
6. Insert the **RATING PLATE-HEAT SHIELD (G)** between the **LOCKING PAL NUT (A)** and **BURNER TUBE (D)**. Wrench tighten the **LOCKING PAL NUT**.
7. Insert **KEY (G)** sleeve over **3/8" V-17 VALVE (E)** stem. Insert screw and tighten.

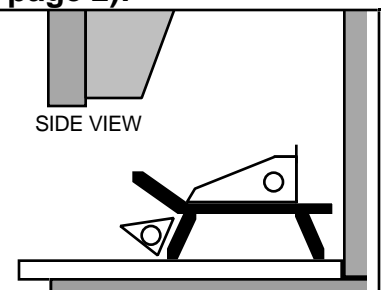


INSTALLATION (All Models)

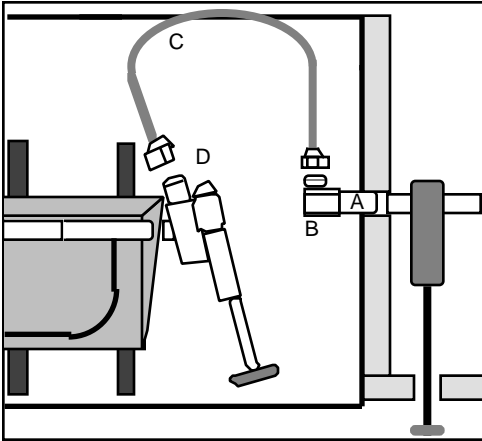
Burner Pan and Grate Positioning (see Firebox Sizing Requirements-page 2):



1. Place **GRATE** inside firebox as far to the rear as possible. Center **GRATE** left to right.
2. With open edge facing out, place **BURNER PAN** beneath grate with leading edge approximately one inch forward of **GRATE** front legs.
3. Mark positions of **GRATE** and **BURNER PAN** on fire place floor with pencil. Remove from firebox.



INSTALLATION (All Models) (Continued)



Gas Connection:

ENSURE THAT GAS SUPPLY TO FIREPLACE IS TURNED OFF

1. Apply pipe compound to threaded end of **GAS SUPPLY PIPE (A)**. Thread **1/2" FIP x 3/8" FLARE ELBOW (B)** onto **GAS SUPPLY PIPE (A)** and wrench tighten.
2. With **BURNER PAN** inside firebox at previously marked position, thread (without pipe compound) one end of the **ALUMINUM CONNECTOR TUBE (C)** to the **1/2" FIP x 3/8" FLARE ELBOW (B)** and wrench tighten.
3. Carefully bend **ALUMINUM CONNECTOR TUBE (C)**, align and connect, without pipe compound, to the **FLARED VALVE INPUT FITTING (D)**. Wrench tighten.

NOTE: ALUMINUM CONNECTOR TUBE (C) may kink or break, causing air flow noise and/or leaks if bent into too small a radius.

4. Turn gas supply to fireplace on.
5. Test all connections for leaks with soapy water solution. If solution bubbles, turn off gas supply, re-tighten fitting and recheck.

Pressure Testing:

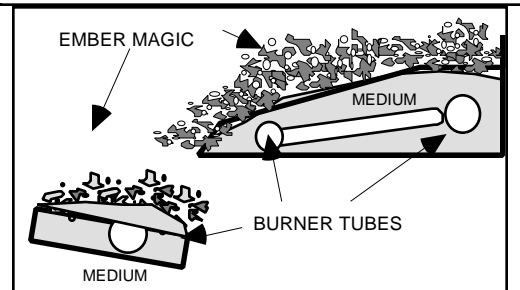
1. Use Gas resistant compound on all pipe fittings (**Do not use compound on connections with flared fitting**).
2. The gas log set and its individual shutoff valve (if installed) must be disconnected from the gas supply piping system during any pressure testing of that system at test pressures in excess of 1/2 psig (3.5 kPa). The gas log set must be isolated from the gas supply piping system by closing its individual manual shutoff valve during any pressure testing of the gas supply piping system at test pressures equal to or less than 1/2 psig (3.5 kPa).
3. Test new piping for leaks using soap solution. **Do not use open flame to flame test.**

Filling Pans with Medium:

1. Completely cover **BURNER TUBES** and **EMBER BOOSTER** with the appropriate **PAN MEDIUM**. The **WHITE SAND** is for use with **Natural Gas**, the **BLACK VOLCANIC ASH** is for use with **Propane/LP Gas**. Use the **ENTIRE CONTENTS** of the bag provided with the burner.

WARNING: A safety pilot must be installed on all units designed or converted to burn Propane/LP gas

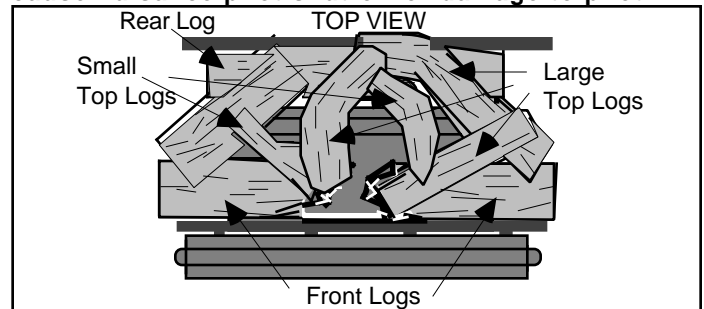
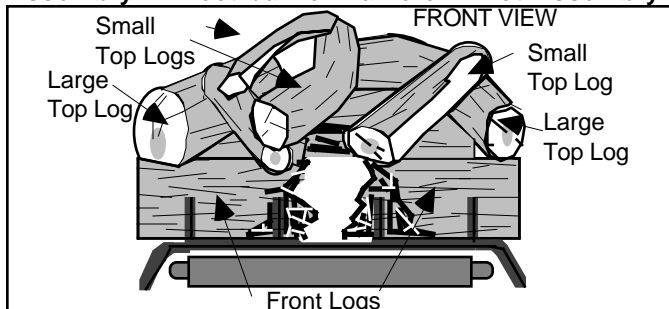
2. Sprinkle a light covering of "**EMBER MAGIC**" over the **PAN MEDIUM**. Pull apart "**EMBER MAGIC**" fiber material to enhance the glowing ember effect. Spread the remaining "**EMBER MAGIC**" around ends of pan to enhance ember bed appearance.
3. **VOLCANIC ASH** may be sprinkled around the **OUTSIDE** of the **BURNER PAN** as a decorative effect.



Log Placement:

1. The largest logs will be either the **Rear Log** or the **Left** or **Right Front Logs** (two separate front logs which simulate a charred and burnt effect between the two halves). The **Large Top Logs** are placed across the front and rear logs with the larger top logs placed first. The remaining **LOGS** are placed diagonally across the two large **TOP LOGS** allowing flame to pass freely between them. **CAUTION: Crowded logs will cause poor combustion and result in excessive soot formation.**

NOTE: Ensure Right Front Log position does not allow burner flame to come in contact with Pilot Assembly. Direct burner flame on Pilot Assembly will cause nuisance pilot shut-off or damage to pilot.



LIGHTING AND OPERATION

DAMPER MUST BE WIDE OPEN WHILE BURNING

IMPORTANT INFORMATION BEFORE LIGHTING

A fire place screen must be in place when the log set is in operation and, unless other provisions for combustion air are provided, the screen shall have opening(s) for introduction of combustion air.

The area around the gas log set must be clear and free from combustible materials, gasoline and any other flammable vapors and liquids.

The installation and the provision for combustion and ventilation air must conform with the **NATIONAL FUEL GAS CODE ANSI Z223.1** latest edition.

Do not use this appliance if any part has been under water. Immediately call a qualified service technician to inspect the appliance and to replace any part of the control system and any gas control which has been under water.

LIGHTING AND OPERATION (Continued)

WARNING: CARBON MONOXIDE POISONING MAY LEAD TO DEATH

When used without fresh air, gas log set may give off carbon monoxide, an odorless, colorless, poisonous gas.

Some people - pregnant women, persons with heart or lung disease, anemia, or under the influence of alcohol and persons at high altitudes are more affected by carbon monoxide than others.

Early signs of carbon monoxide poisoning resemble the flu: Headache, dizziness, and/or nausea. If you have these signs, the gas log may not be installed or working properly, or the chimney flue may be blocked. **GET FRESH AIR AT ONCE!** Have gas log set and chimney flue serviced before using again.

Open a window an inch or two for fresh air when using your gas log

Solid fuels shall not be burned in a fireplace where a decorative appliance is installed.

WARNING: If not installed, operated and maintained in accordance with these instructions, this product could expose you to substances in fuel or from fuel combustion which are known to the State of California to cause cancer, birth defects or other reproductive harm.

Glass doors must be wide open when burner is lighted to allow air for safe combustion and venting. After use, allow logs to cool before closing glass doors.

WARNING! CHECK FOR PROPER VENTING

A properly sized, unobstructed chimney with the **damper fully open** will normally vent all fumes and products of combustion. Any odor or smoke detected inside the room is an indication that the flue is not properly removing the combustion products.

SHUT OFF THE BURNER IMMEDIATELY! THE CAUSE OF THE VENTING PROBLEM MUST BE DISCOVERED AND CORRECTED BEFORE CONTINUED USE OF THE GAS LOG SET.

Continued use with improper venting may cause damage to your fireplace, room and furnishings and could cause serious illness. If improper venting is suspected, **IMMEDIATELY HAVE LOG SET AND CHIMNEY FLUE SERVICED.**

Periodically examine and clean the venting system. Once a year, a qualified agency should examine and clean the venting system of your solid fuel burning fireplace.

MANUAL MATCH LIGHTING. (For use only with Natural Gas Models LC (18,24,30)-N)

1. Place lighted match on embers near inlet end of burner. **DO NOT HOLD MATCH IN HAND!** Move away from front of fireplace.
2. Slowly open **FIREPLACE GAS SUPPLY VALVE** and wait for burner to light.
3. Adjust **FIREPLACE GAS SUPPLY VALVE** for desired flame height.
4. **SHUTDOWN:** Close **FIREPLACE GAS SUPPLY VALVE** completely.

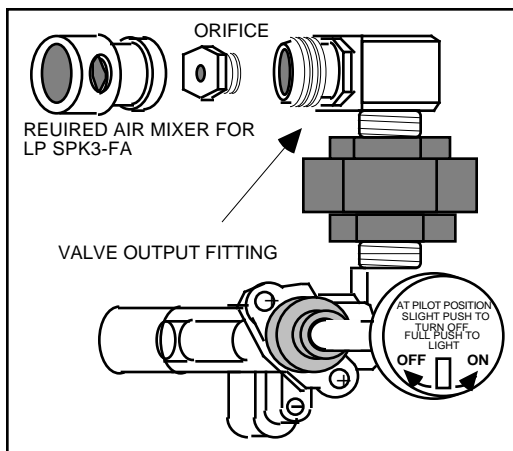
MANUAL MATCH LIGHTING WITH ACCESSORY V-17 VALVE.

(For use only with Natural Gas Burner Models LC (18,24,30)-N)

1. Ensure that **MANUAL V-17 VALVE** is completely closed.
2. Open **FIREPLACE GAS SUPPLY VALVE**.
3. Place lighted match on embers near inlet end of burner. **DO NOT HOLD MATCH IN HAND!** Move away from front of fireplace.
4. Slowly open **MANUAL V-17 VALVE** and wait for burner to light.
5. Adjust **MANUAL V-17 VALVE** for desired flame height.
6. **SHUTDOWN:** Close **MANUAL V-17 VALVE** and **FIREPLACE GAS SUPPLY VALVE** completely.

Manual Safety Pilot and Control Valve

- Natural Gas Models LC(18,24,30)-M-N
- Propane Gas Models LC(18,24,30)-M-P



IMPORTANT: When lit, chimney damper must be wide open Burner Orifice

Orifice:

Burner Orifice is located at valve output fitting.

NOTE: Maximum flame height can be adjusted by changing orifice size, e.g., a larger orifice results in a larger flame.

SUGGESTED NATURAL GAS ORIFICE SIZES

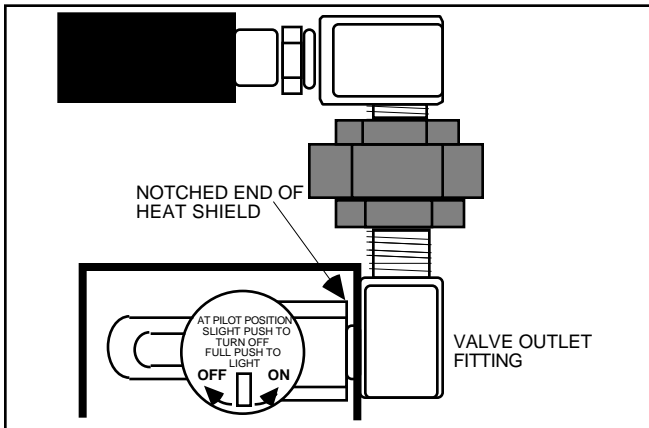
BURNER SIZE	18"	24"	30"	36"
ORIFICE SIZE	#36	#28	#28	#26

SUGGESTED PROPANE GAS ORIFICE SIZES

BURNER SIZE	18"	24"	30"	36"
ORIFICE SIZE	#53	#49	#45	#42

CAUTION: Over sizing Propane Orifice may result in improper air mixing causing excessive soot formation on the logs.

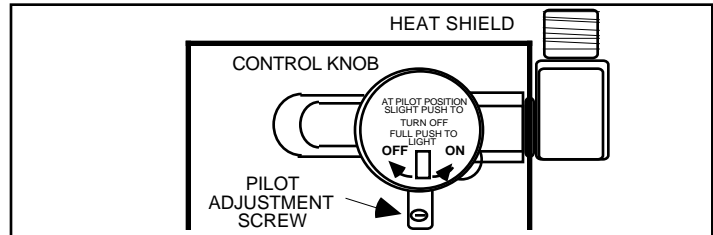
LIGHTING AND OPERATION (continued)



Heat Shield:

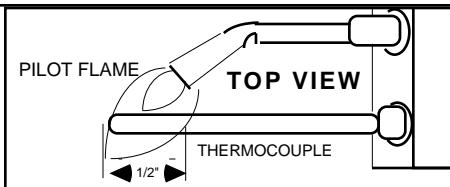
HEAT SHIELD is placed over the Valve Assembly with the notched end over the **VALVE OUTLET FITTING**.

WARNING: HEAT SHIELD MUST BE INSTALLED TO PREVENT PREMATURE VALVE FAILURE AND/OR VOIDING OF VALVE MANUFACTURER'S WARRANTY



Lighting Instructions:

1. Bleed all air from piping leading to control. Carefully re-tighten connection.
2. Turn **CONTROL KNOB** pointer to "OFF" position. Wait 5 minutes before lighting.
3. Turn **CONTROL KNOB** pointer to "PILOT" position. Depress **CONTROL KNOB** and hold down 60 seconds after lighting pilot burner. Release **CONTROL KNOB**. Pilot will remain lighted.
4. Turn **CONTROL KNOB** partially towards the "ON" position. After gas fills burner pan medium, burner will light. Dial may then be turned to full "ON" or to desired flame height
5. If main or pilot burner extinguishes, turn **CONTROL KNOB** to "OFF" position. Wait five minutes and repeat above lighting procedure from step 1.



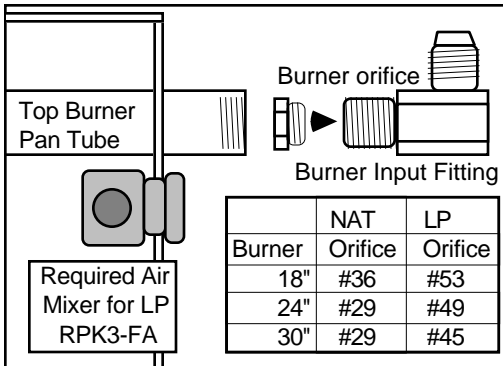
Pilot Adjustment:

1. Adjust Pilot if necessary. With narrow long stem screw driver, turn **PILOT ADJUSTMENT SCREW** clockwise to reduce size of pilot flame or counterclockwise to increase flame. Correctly adjusted pilot flame should be steady and soft blue surrounding approximately 1/2 inch of thermocouple tip. Never permit tip to exceed a dull red temperature.

NOTE: Ensure Right Front Log position does not allow burner flame to come in contact with Pilot Assembly. Direct burner flame on Pilot Assembly may will cause nuisance pilot shut-off or damage to pilot.

Millivolt Switch/Remote Ready Safety Control

- **Natural Gas Models LC(18,24,30)-S-N.**
- **Propane Gas Models LC(18,24,30)-S-P.**



IMPORTANT: When lit, chimney damper must be wide open
Burner Orifice

Burner Orifice: Burner Orifice is located at valve output fitting.

NOTE: Maximum flame height can be adjusted by changing orifice size, e.g., a larger orifice results in a larger flame.

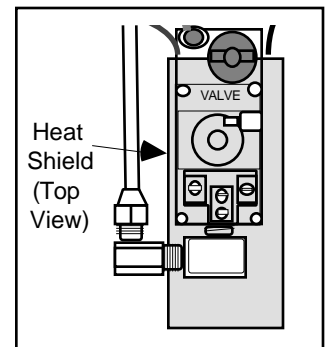
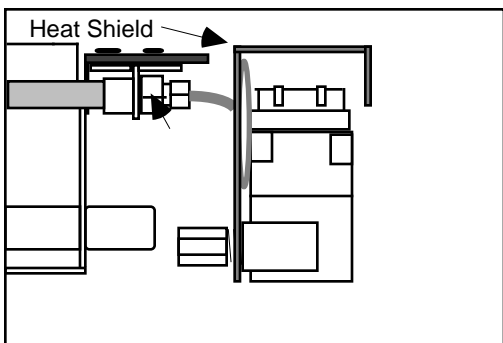
NOTE: Over sizing Propane Orifice may result in improper air mixing causing excessive soot formation on the logs.

Heat Shield:

Heat shield is [laced over the valve assembly by Inserting the notched portion of the **Heat Shield** between the Valve outlet **3/8 MIP x 3/8 FIP Elbow** and the **3/8 Flared x 3/8 MIP Elbow**

Ensure that the **Heat Shield** is over the **VALVE ASSEMBLY**. Pilot tubing and wire leads should be behind the shield exiting towards the rear.

CAUTION: The safety control valve must be protected to a max ambient temperature of 175° F. Excessive heat to the valve is indicated by melted plastic on the valve body.

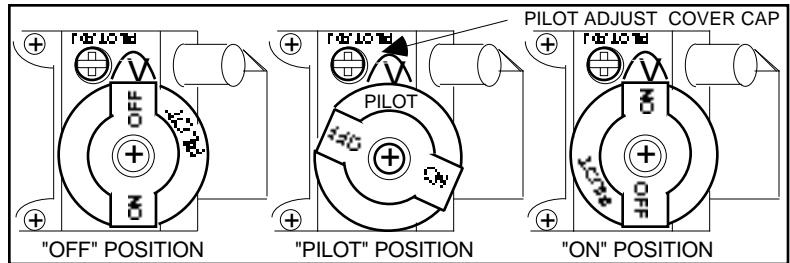


LIGHTING AND OPERATION (continued)

Lighting (Remote Valve) Instructions:

NOTE: The **Gas Dial** has complete control of gas to pilot and burner. The **Gas Dial** cannot be turned to "OFF" without first depressing dial in "**PILOT**" position and then rotating clockwise to "**OFF**".

1. Depress and turn **Gas Dial** to "**OFF**" position.
2. Any Accessory Controls must also be turned "OFF" (Remote Control) or to lowest temperature setting (Thermostat)
3. Wait at least 5 minutes to allow gas which may have accumulated around burner to escape.
4. Turn **Gas Dial** to "**PILOT**" position.
5. Depress and hold **Gas Cock Dial** until air is bled and gas flows to pilot.
6. Light pilot. Continue to holding in the **Gas Dial** until the Pilot flame remains lit when knob is released (approximately 60 to 90 seconds). If Pilot does not remain lit, repeat steps 1 through 5 and allow more time after Pilot Lighting before releasing knob.
7. Turn **Gas Dial** to "**ON**".



Adjusting Burner Flame Height (Remote Valve): Flame size at the burner is adjustable at the **Gas Dial**. Turn **Gas Dial** counter clockwise for more flame, clockwise for less flame.

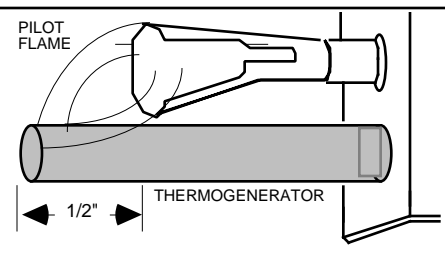
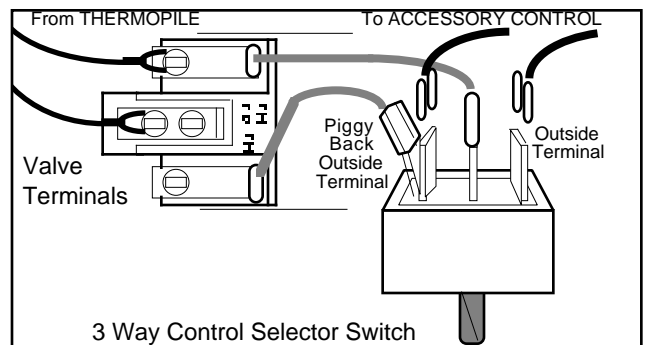
Complete Shutdown (Including Pilot): Slightly push and turn **Gas Cock Dial** to "**OFF**".

Switch Accessory Wiring:

Wiring from the Accessory Control (Remote, Thermostat or Switch) is connected to the two **outside terminals** of the **Control Selector Switch** as shown.

NOTE: Wire length for Thermostat or Remote or controls should not exceed 20 feet. Thermostat wiring should be 20 AWG Type CL2.

Switch Accessory Operation: Place manual switch in the "**REMOTE ACCESS ON**" position. Burner "**ON**" or "**OFF**" is now controlled by the position of the accessory control being used with the burner. Individual operating instructions for individual **Remote Accessory Options** are included with the individual accessory.



Pilot Adjustment (Switch and Remote Valve):

1. The **PILOT FLAME** should be steady and soft blue surrounding approximately 1/2 inch of the thermocouple tip.
2. If pilot flame adjustment is necessary, use a narrow long stem screw driver to turn **PILOT ADJUST SCREW**. The **PILOT ADJUST SCREW** is located on the Gas Valve. Turn clockwise for less flame, counter clockwise for more flame.

NOTE: Ensure **Right Front Log** position does not allow burner flame to come in contact with Pilot Assembly. Direct burner flame on Pilot Assembly may will cause nuisance pilot shut-off or damage to pilot.

Connecting Accessory Controllers:

Using the 20' accessory control wiring attached to the two **outside terminals** of the **Valve Terminal Block** (see Figures 6 and 7), connect the **Switch Control Accessory Option** (Remote, Thermostat, Switch, etc.) to valve.

CUSTOMER MAINTENANCE:

THIS BURNER IS FOR USE FOR USE IN A FULLY FUNCTIONING WOOD BURNING FIREPLACE WITH THE DAMPER WIDE OPEN. THE FLUE MUST VENT ALL PRODUCTS OF COMBUSTION.

Periodically examine and clean the venting system. Once a year, a qualified agency should examine and clean the venting system of your solid fuel burning fireplace.

Periodically check the pilot burner (if equipped) and main burner flames. The pilot burner should be free of lint and dirt for best performance. The main burner should produce a relatively even flame from side to side. If not, the sand-granules may have become packed and can be loosened by working a wire or knife blade under the sand or by refilling the pan.

PARTS LIST:

- | | | |
|-------------------------------------|--|---|
| - Burner Grate Assembly | - 3/8 Pipe Union | - White Sand |
| - Safety Control (Manual or Remote) | - Rating/ID Plate- | - Black Volcanic Ash |
| - Orifice Holder | - Damper Stop Clamp | - Logs: Specify Front, Rear or Top and style/size and shape (Top logs). |
| - Orifice | - Factory Installed SPK3/RPK3 Safety Pilot | - Log Lifters |
| - Brass Elbow | - Ember Magic | - Instructions |
| | - Connector Tube | |

LIMITED LIFETIME CONSUMER PRODUCT WARRANTY

The following warranty has been drafted to comply with the MAGNUSON-MOSS WARRANTY ACT applicable to products manufactured after July 4, 1975. It replaces and supersedes any warranty in this package or in any printed literature.

LIMITED WARRANTY:

RASMUSSEN warrants this Gas Log Set and accessories against defects in materials and workmanship, and suitable for a particular purpose, for a period of:

- (1) LOG CASTING - All logs are guaranteed against burnout in the original installation for the lifetime of the initial purchaser.
- (2) BURNERS/GRATES - 2 years from date of purchase.
- (3) SAFETY CONTROLS - Pilots and safety controls are covered by warranty of the original manufacturer only.

THIS WARRANTY IS FOR THE BENEFIT OF THE ORIGINAL PURCHASER.

WARRANTY ADJUSTMENT:

- (1) RASMUSSEN agrees to repair or furnish a replacement for, but not remove or install any product or component which proves defective within the above warranty and appropriate time periods stated.
- (2) BUYER shall notify RASMUSSEN of any defect within this warranty no later than thirty (30) days after a defect is discovered.
- (3) No product will be accepted for return or replacement without written authorization of RASMUSSEN. Before returning merchandise, write to RASMUSSEN giving full details of the complaint and a copy of sales receipt or other evidence of purchase date. Merchandise returned without proof of purchase date will be serviced out-of warranty at our prevailing service and parts rates. If merchandise was damaged in transit, file claim immediately with the carrier. Products returned must be addressed as follows:

**RASMUSSEN
12028 E. PHILADELPHIA STREET
WHITTIER CALIFORNIA 90601**

Shipping charges must be pre-paid by the buyer. **REPAIR OR REPLACEMENT UNDER THIS WARRANTY WILL BE SHIPPED FREIGHT COLLECT.**

EXCLUSIONS FROM WARRANTY:

- (1) The foregoing warranty is limited solely as set forth herein and applies only for the periods designated above.
- (2) RASMUSSEN shall not be liable for any loss, damage, incidental or consequential damages of any kind, whether based upon warranty, contract, or negligence, arising in connection with the sale, use, or repair of the product. Some states do not allow the exclusion or limitation of incidental or consequential damages, so the above limitation or exclusion may not apply to you.
- (3) The maximum liability of RASMUSSEN in connection with this limited warranty shall not in any case exceed the contract price paid for the product claimed to be defective or unsuitable.
- (4) This warranty does not extend to any product manufactured by RASMUSSEN which has been subjected to misuse, neglect, accident, improper installation, or use in violation of instructions furnished by RASMUSSEN.
- (5) This warranty does not extend to or apply to any unit which has been repaired or altered at any place other than RASMUSSEN factory, or by persons not expressly approved by RASMUSSEN.
- (6) Components manufactured by any supplier other than RASMUSSEN shall bear only that warranty made by the manufacturer of that product.
- (7) Freight damage, cracking from thermal shock, and color changes occur from causes beyond manufacturer's control and are not covered by any warranty.

THIS WARRANTY GIVES YOU SPECIFIC LEGAL RIGHTS, AND YOU MAY ALSO HAVE OTHER RIGHTS WHICH VARY FROM STATE TO STATE.

RASMUSSEN shall be held harmless from any and all claims by the buyer as a result of injury or damage to an ultimate user or other person caused by the product sold herein by the seller to the buyer, whether the injury or damage results from the assembly, installation, operation, shipment, storage or manufacture of this product. RASMUSSEN makes no warranties, expressed or implied, other than those expressly stated herein.

- CUSTOMER RESPONSIBILITY -

Your Gas Log is designed to burn with a natural smoky yellow flame that produces carbon soot. Like a wood fire, burning a Gas Log with the flue blocked or closed will cause fumes and smoke to remain in the room and cause health hazards.

DAMPER MUST BE FULLY OPEN WHEN BURNING A GAS LOG SET. Never burn wood with your gas log set as this will reduce the life of your gas Log Set and will void any warranty.

CONSUMER RECORD CARD



**FOR CUSTOMER RECORDS ONLY
DO NOT SEND THIS CARD TO MANUFACTURER**

LOG MODEL: _____

SAFETY CONTROL: _____

DATE OF PURCHASE: _____

DEALER: _____

INSTALLER: _____