

# MAJESTIC

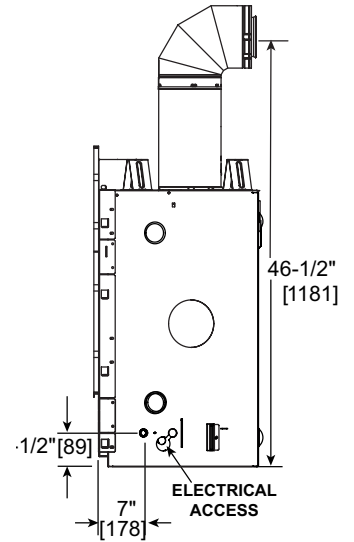
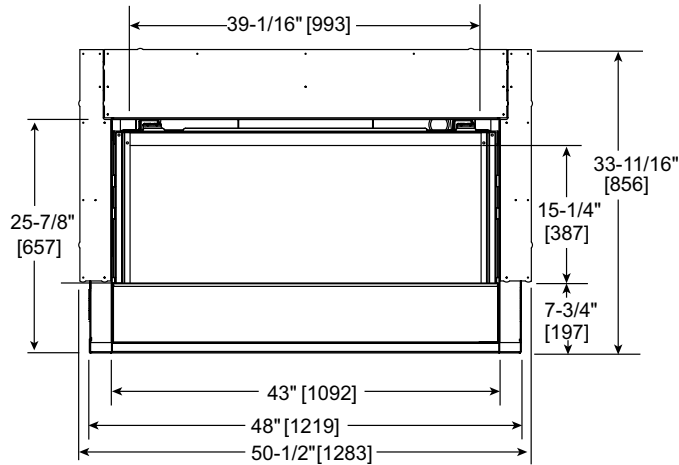
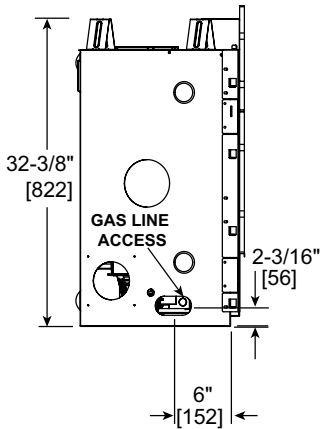
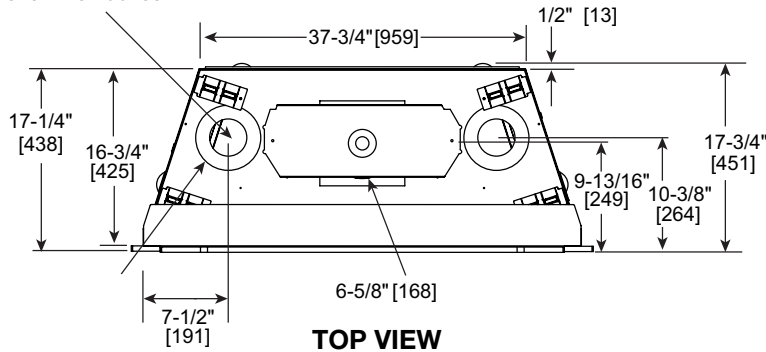
Please consult the manufacturer's installation manual for all details and requirements before making a final design layout decision.

## JADE 42

Direct Vent Gas Fireplace

MODEL	FRONT WIDTH		BACK WIDTH		HEIGHT		DEPTH		GLASS SIZE
	ACTUAL	FRAMING	ACTUAL	FRAMING	ACTUAL	FRAMING	ACTUAL	FRAMING	
<b>JADE42IN-B</b> 25,250 BTU (NG) 23,500 BTU (LP)	48" (1219)	49" (1245)	37-3/4" (959)	49" (1245)	33-11/16" (856)	32-3/4" (832)	17-3/4" (451)	17-3/4" (451)	39-1/16" x 15-1/4" (992 x 387)

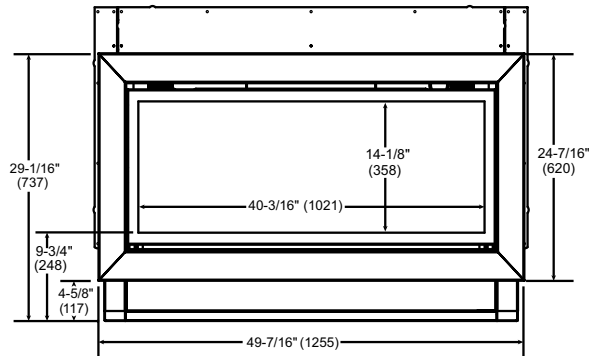
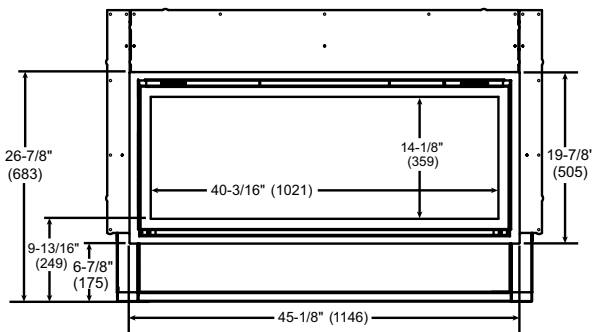
HEAT MANAGEMENT SYSTEMS ACCESS



LEFT SIDE VIEW

FRONT VIEW

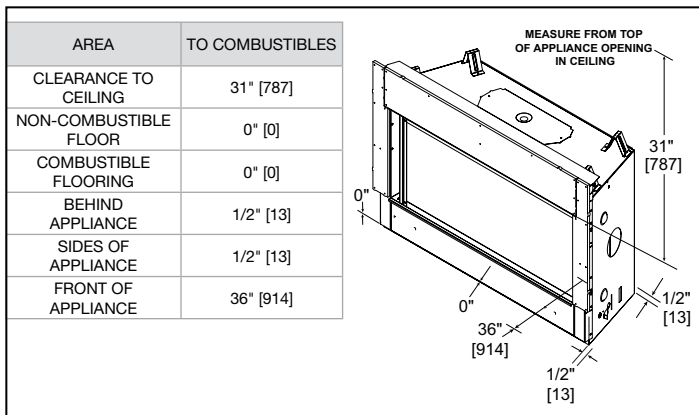
RIGHT SIDE VIEW



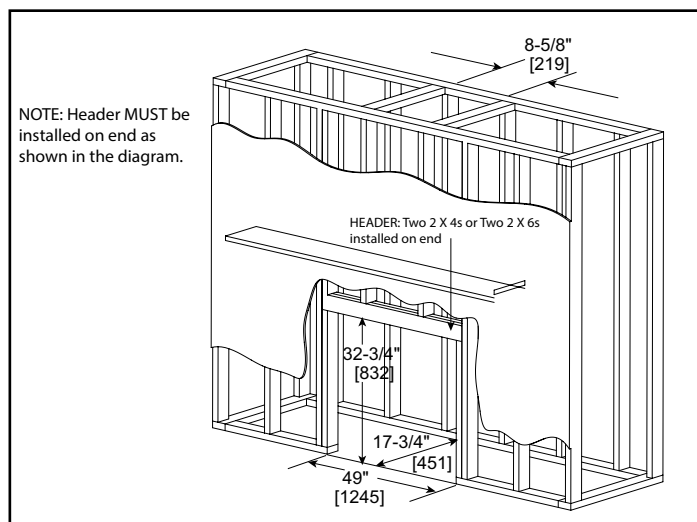
CLEAN FACE TRIM

PICTURE FRAME FRONT

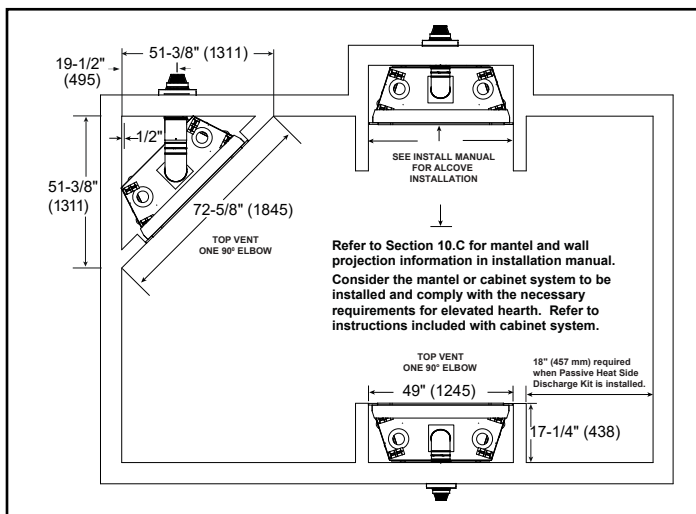
### MINIMUM FIREPLACE CLEARANCES / CLEARANCES TO COMBUSTIBLES



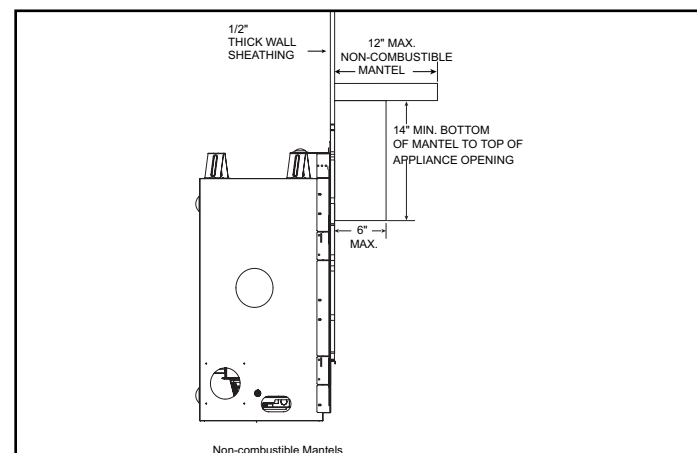
### FRAMING DIMENSIONS



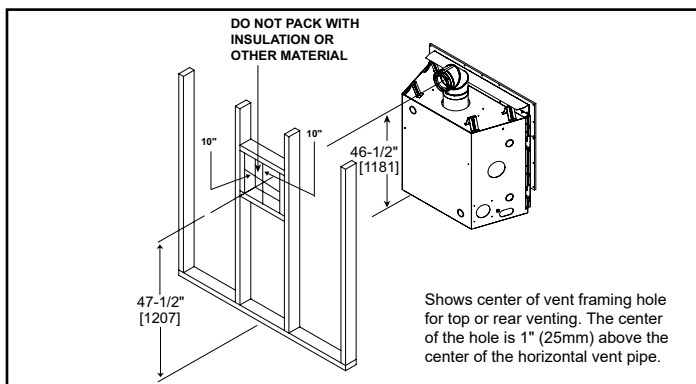
### APPLIANCE LOCATION



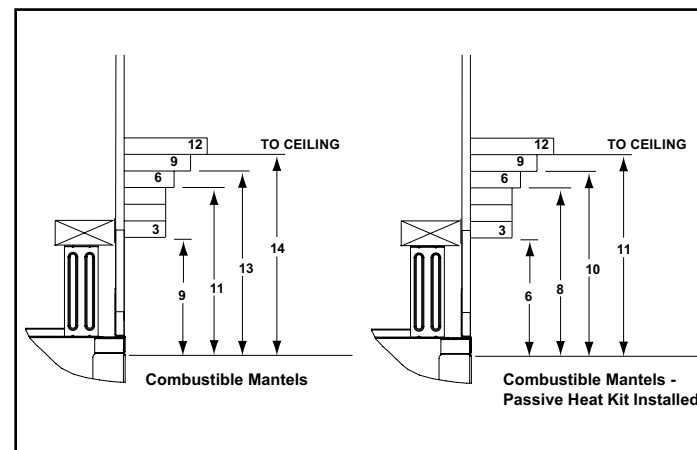
### NON-COMBUSTIBLE MANTEL PROJECTIONS (or other materials above appliance)



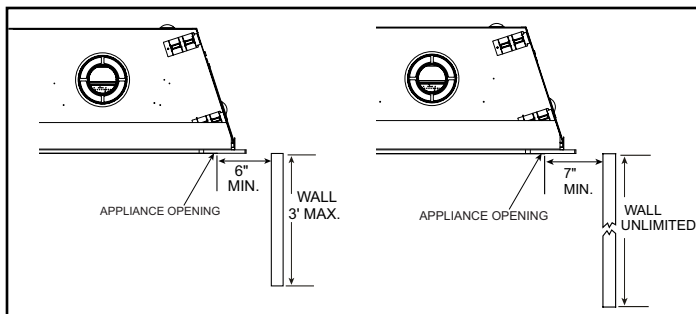
### WALL PENETRATION



### MANTEL PROJECTIONS (or other materials above appliance)



### MANTEL LEG/WALL PROJECTIONS



PRODUCT LISTING CODES	
US	ANSI Z21.88-2017
CAN	CSA 2.33-2017
US LISTED	UL307B

Product information provided is not complete and is subject to change without notice. Product installation must adhere strictly to instructions accompanying product to avoid risk of fire and potential injury.