

MODERN FLAMES

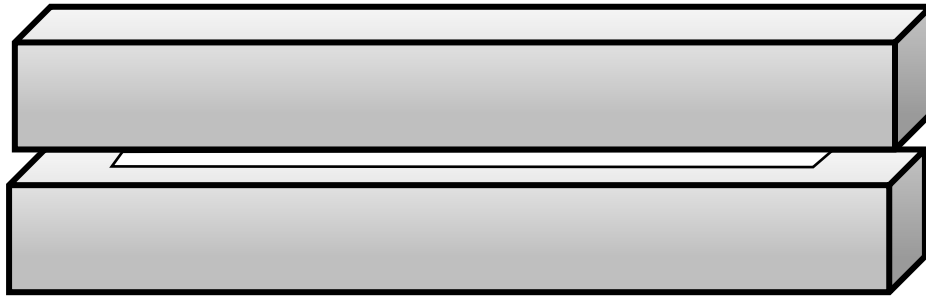
STUDIO SUITES RECESSED SUITE INSTALLATION

RWC-44LPM-ESP * RWC-44LPM-RTF * RWC-56LPM-ESP * RWC-56LPM-RTF * RWC-68LPM-ESP * RWC-68LPM-RTF * RWC-80LPM-ESP * RWC-80LPM-RTF



WHAT'S IN THE BOX? (RECESSED SUITE)

- A TOP & BOTTOM CABINET
 - FOR RECESSED OPTION NO DIFFERENCE BETWEEN TOP AND BOTTOM
- 4x ADJUSTABLE RECESSED INSTALL BRACKETS FOR SLIDE-IN APPLICATION
- 4x CABINET INSTALL BRACKETS
- 10x M3-.5 SCREWS FOR CABINET BRACKETS TO FIREPLACE(2 are spares)
- 12x #8 1-5/8" SCREWS FOR SECURING TO STUDS
- 12x #8 ½" SCREWS FOR SECURING ADJUSTABLE BRACKETS TO FIREPLACE
- TOUCH UP PAINT * FOR ESPRESSO ONLY *
- * 4x *RECESSED INSTALL BRACKETS* FOR BUILT-IN APPLICATION **COME WITH FIREPLACE** *



TOP CABINET (x1)
BOTTOM CABINET (x1)



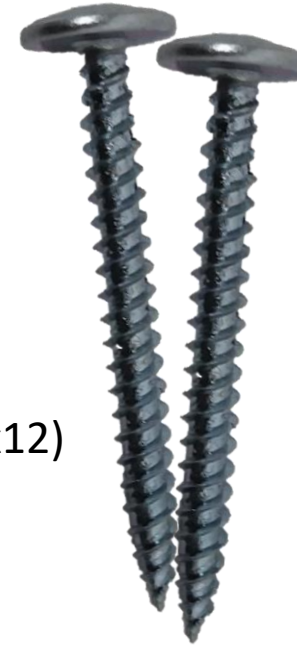
CABINET MOUNT BRACKET (x4)



ADJUSTABLE RECESSED BRACKET (x4)
(SLIDE-IN APPLICATION)



RECESSED INSTALL BRACKET (x4)
(BUILT-IN APPLICATION)
(COME WITH FIREPLACE)



#8 X 1-5/8" (x12)



M3-0.5 X 12 (x10)
(BOTH APPLICATIONS)
(STYLE MAY VARY)



#8 X 1/2" (x12)



TOUCH UP PAINT (x1)
(ESPRESSO ONLY)

**HARDWARE FINISH MAY VARY

TOOLS NEEDED:

- TAPE MEASURE
- STUD FINDER
- LEVEL
- PHILLIPS SCREW DRIVER
- PENCIL/MARKER
- DRILL WITH PHILLIPS BIT
- HAMMER
- DRYWALL SAW
- SAW
- TOWELS

OPTIONAL:

- 1/8" DRILL BIT FOR PILOT HOLES
- GLOVES
- VACCUM

RECOMMENDED 2 PERSON INSTALLATION

OVERALL SUITE DIMENSIONS ONCE INSTALLED

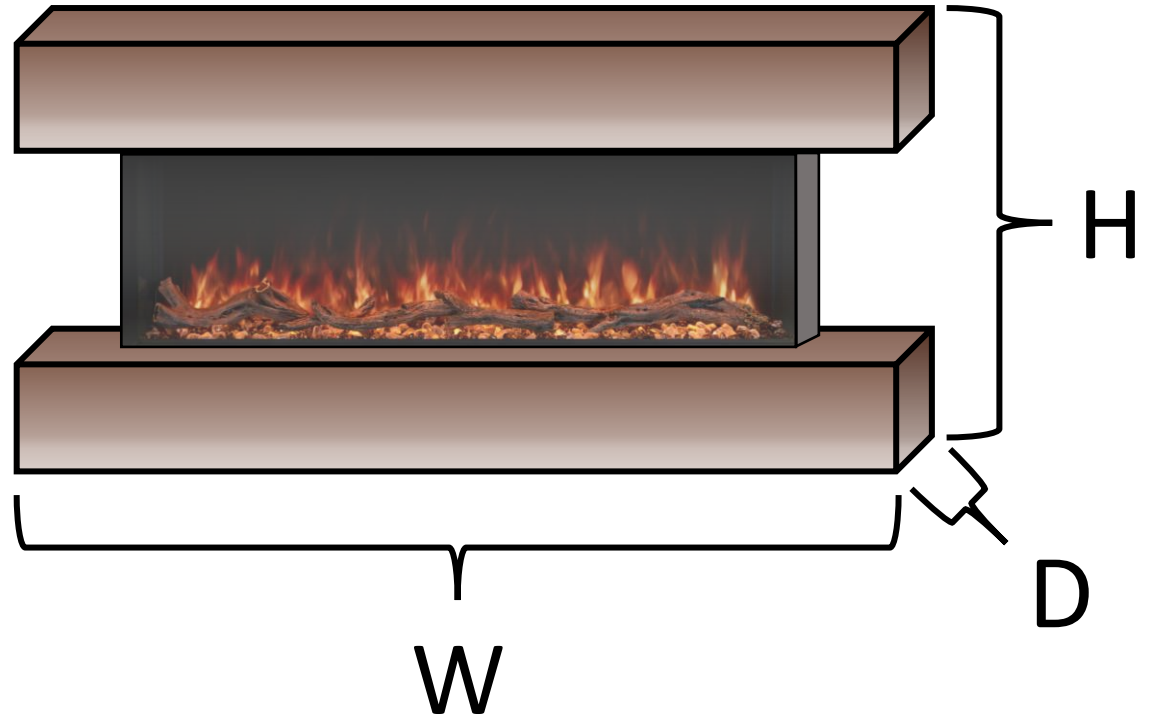
RECESSED DIMENSIONS:

44 = 58.5"W x 28"H x 10.25"D

56 = 70.5"W x 28"H x 10.25"D

68 = 82.5"W x 28"H x 10.25"D

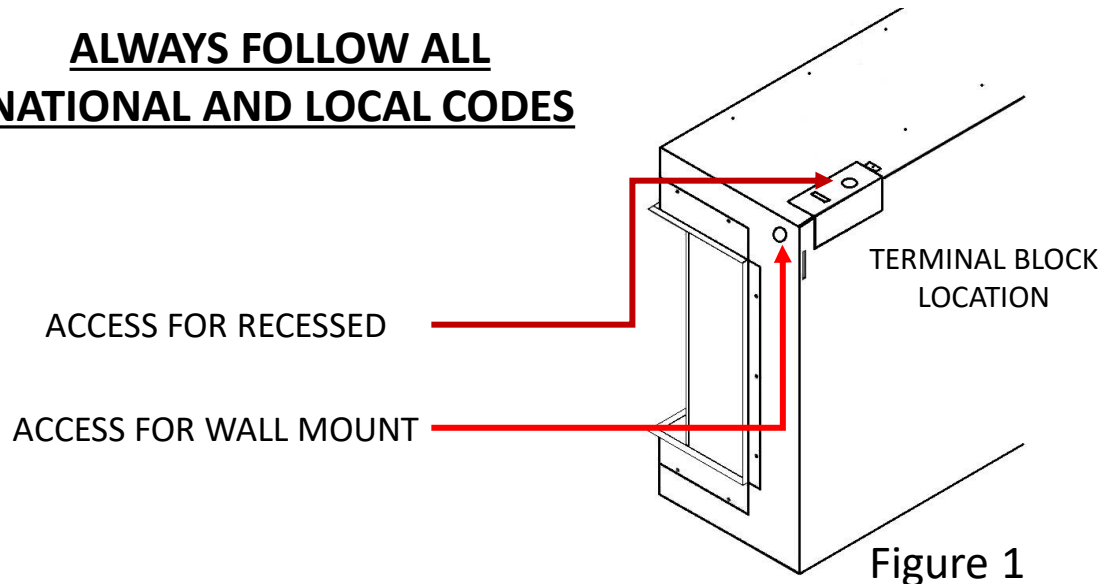
80 = 94.5"W x 28"H x 10.25"D



STEP 1

Select a location for your fireplace suite. Consider the type of installation and the running of your electrical when choosing the location. Electrical connects to the top right side of the fireplace. (*see figure 1*) Also take into consideration your overall suite dimensions when selecting an area. Depending on your choice you will have either a 2x4 Built-in Recessed or a 2x4 Slide-in Recessed installation. If you want to install your recessed electric fireplace suite into brick or masonry you'll need additional hardware beyond what is included in the standard installation kit provided with your suite, such as masonry anchors & bolts. These are distinctly different from the hardware provided in the kit. NOTE: If your wall is **load-bearing**, consult with your local builder/contractor for proper wall preparation.

**ALWAYS FOLLOW ALL
NATIONAL AND LOCAL CODES**



STEP 2

After you have selected a suitable location for recessing, you will need to frame-out the opening for your fireplace. The fireplace is optimized for 2x4 install. If new build (BUILT-IN) and securing to the bare studs use recess brackets provided with fireplace. (see figure 2) If modifying existing wall (SLIDE-IN) and securing over existing drywall, use adjustable recess brackets provided with suite. (see figure 3)

- Prepare the framed opening according to the height and width of the chart below. **Provide a dedicated flexible 15 amp 120 volt circuit or dedicated 4 wire 240 volt circuit for hardwire installation on the top right side of the framed opening. See figure 4 on next page.**

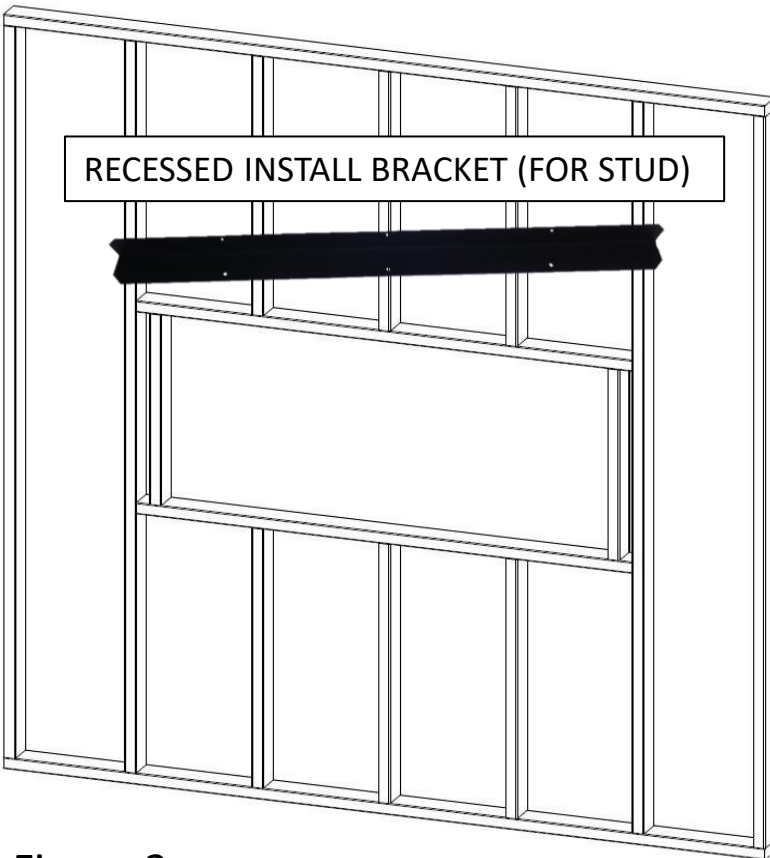


Figure 2 BUILT-IN RECESSED (NEW BUILD)

FRAMING DIMENSION (2x4 STUD INSTALL & 2x4 FINISHED WALL INSTALL)

MODEL	WIDTH	HEIGHT
LPM-4416	44-1/4"	25-1/4"
LPM-5616	56-1/4"	25-1/4"
LPM-6816	68-1/4"	25-1/4"
LPM-8016	80-1/4"	25-1/4"

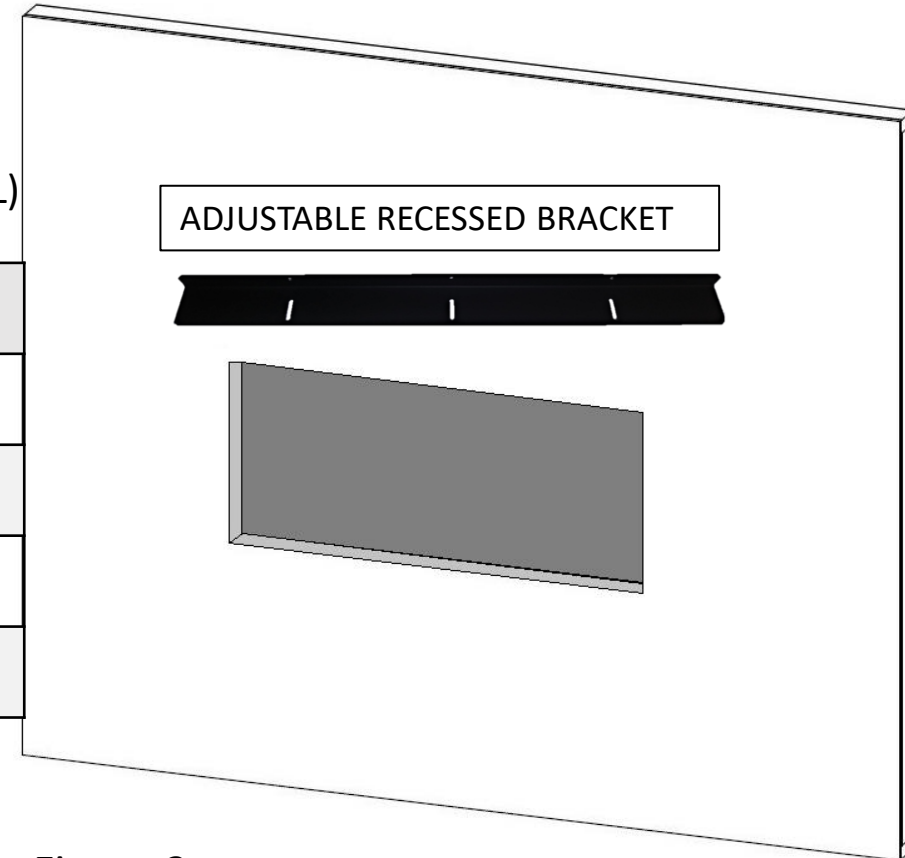
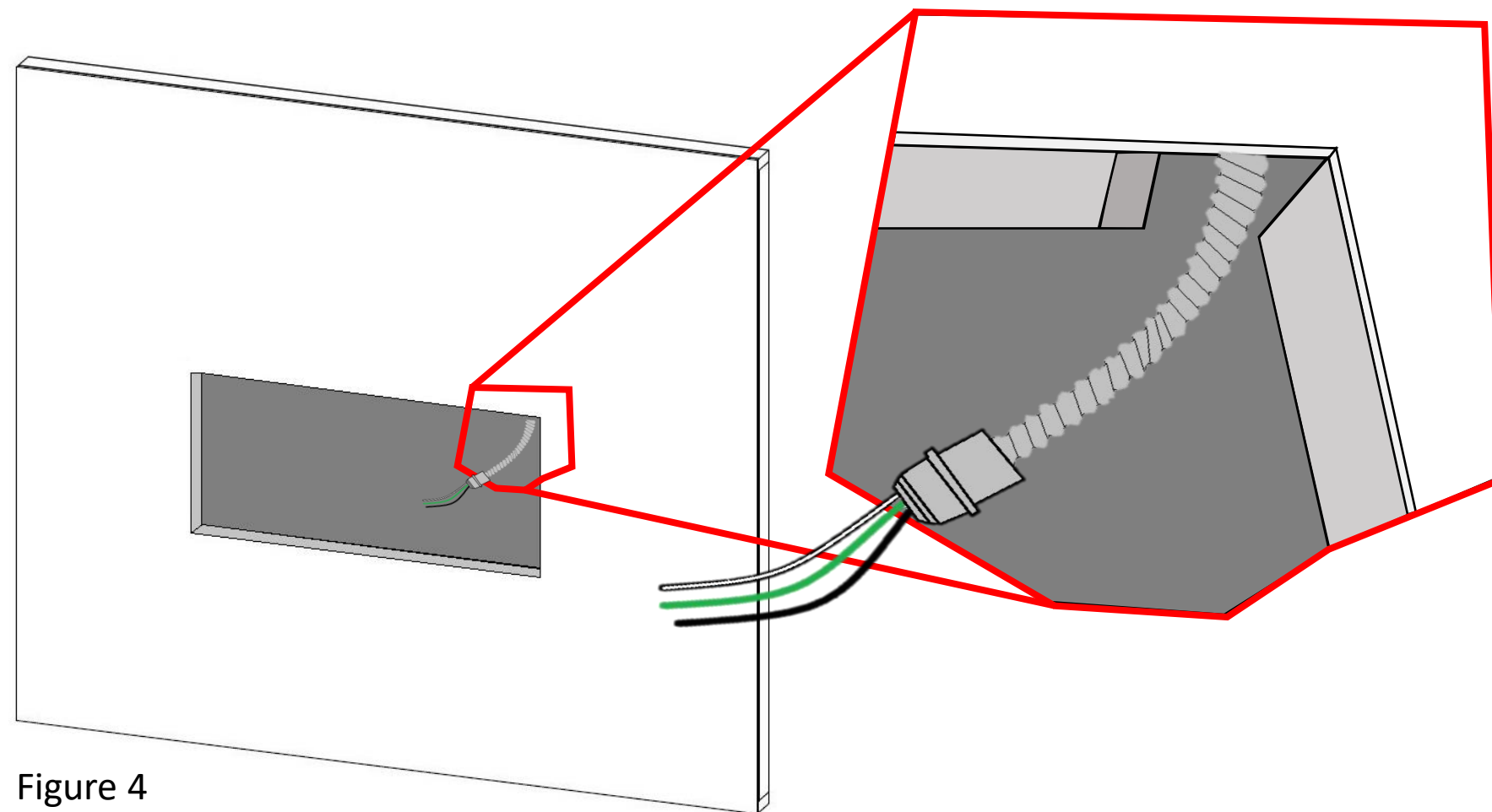


Figure 3 SLIDE-IN RECESSED (MODIFYING EXISTING WALL)

STEP 2 CONTINUED



EXAMPLE OF SPACE LEFT FOR
DEDICATED CIRCUIT.
CIRCUIT MUST BE A DEDICATED
FLEXIBLE 15 AMP 120 VOLT CIRCUIT
OR DEDICATED 4 WIRE 240 VOLT
CIRCUIT FOR HARDWIRE
INSTALLATION PROVIDED BY AN
ELECTRICIAN.

Figure 4

STEP 3

Install appropriate brackets for your type of installation onto the fireplace. There are pilot holes on fireplace top and bottom for aligning the brackets to the fireplace. (see figure 5) Use the #8 x 1/2" screws for securing the bracket to the fireplace. (see figure 6) The adjustable bracket can accommodate up to 5/8" drywall finished wall opening. See figure 7 on next page for orientation of bracket.

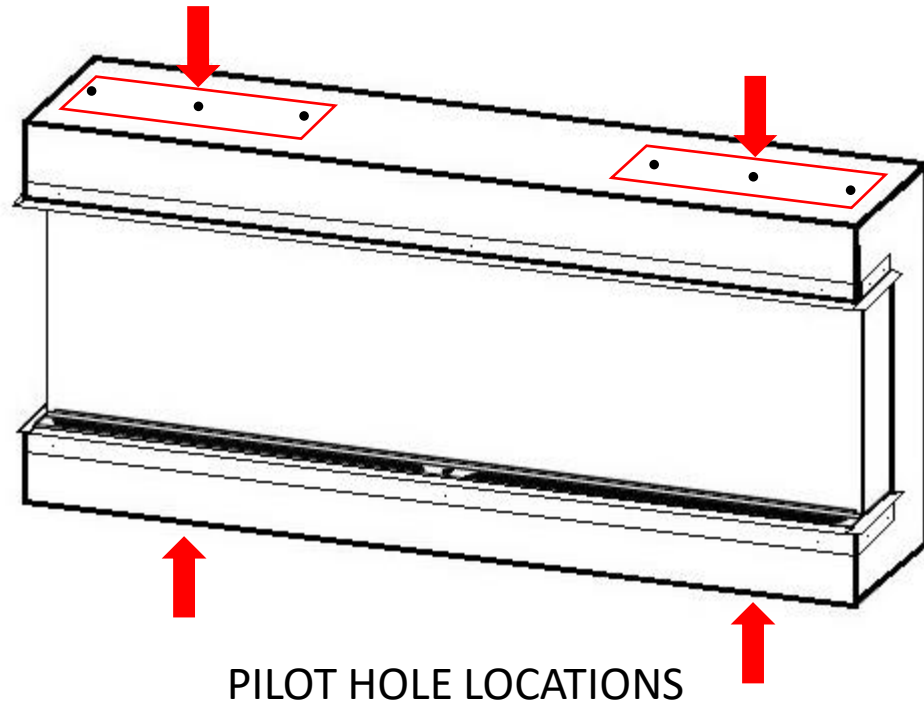


Figure 5

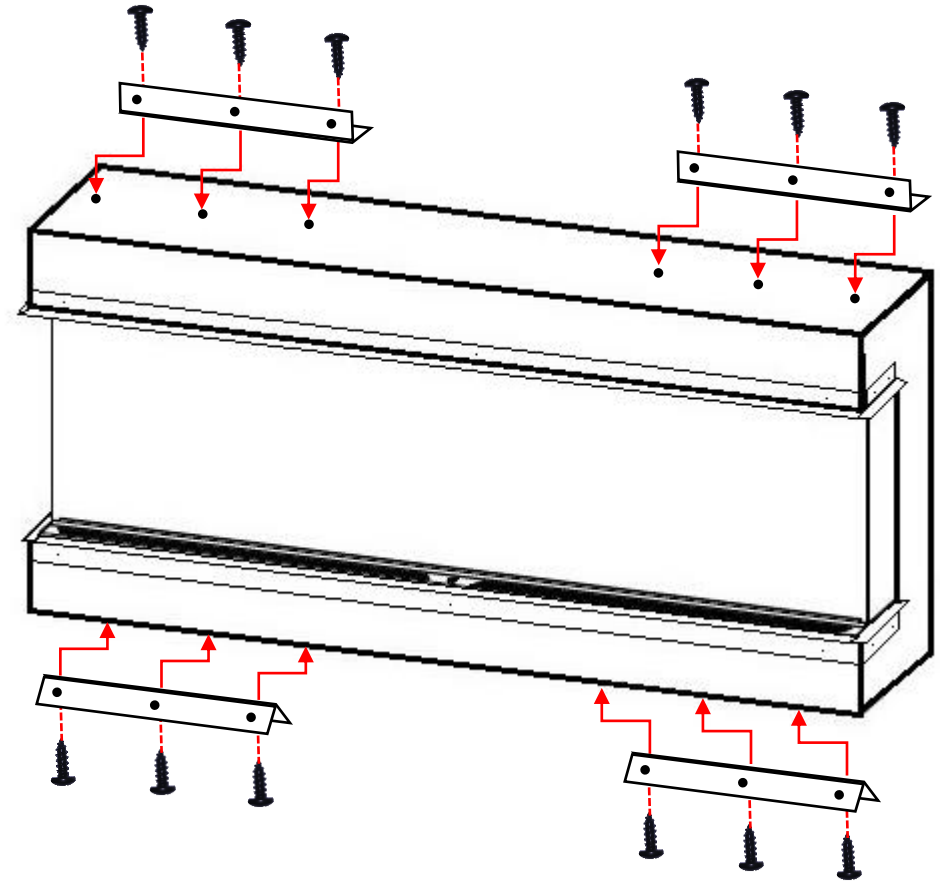


Figure 6

STEP 3 CONTINUED

FRONT OF FIREPLACE

IMAGE IS FROM TOP LOOKING DOWN FIREPLACE

FRONT OF BRACKET

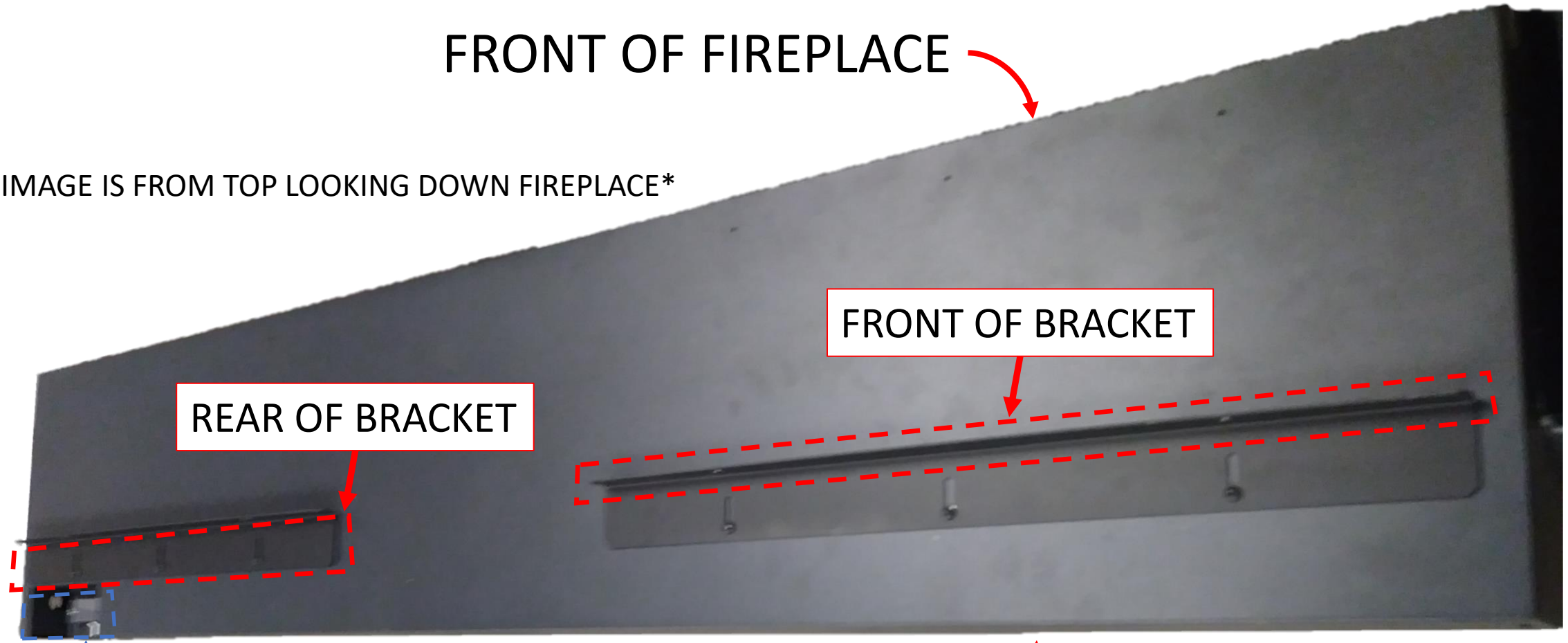
REAR OF BRACKET

ELECTRICAL ACCESS

BACK OF FIREPLACE

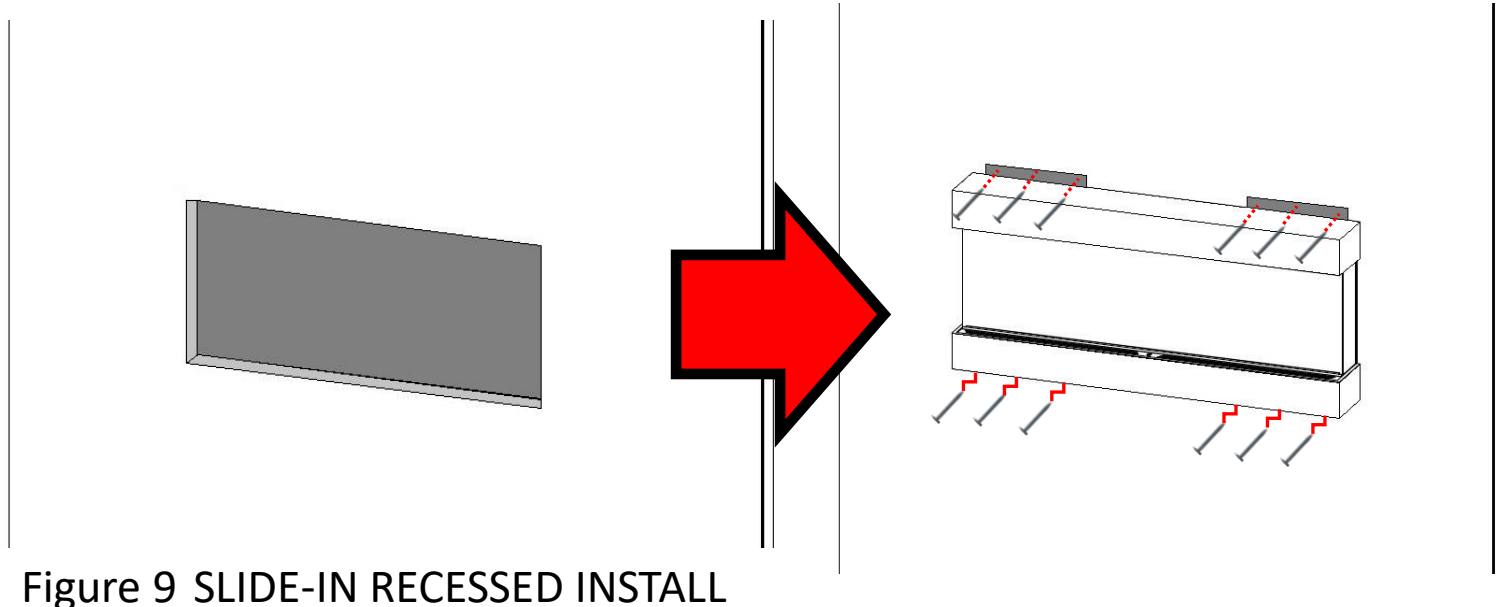
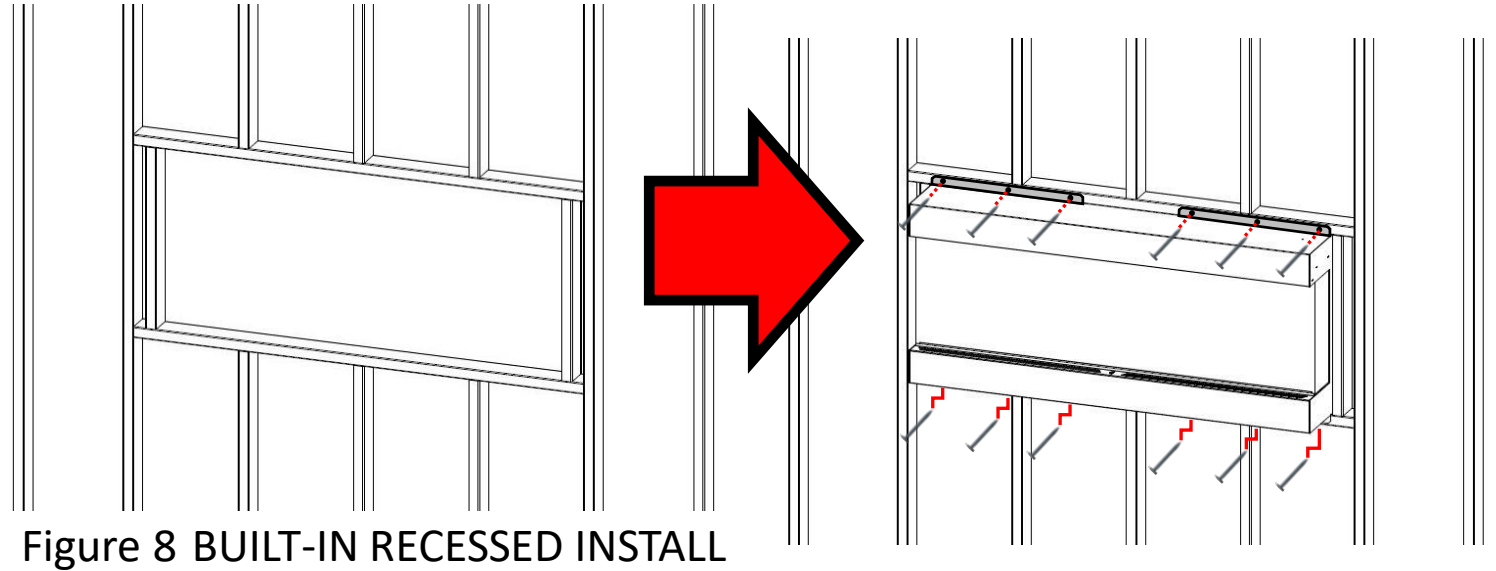
ADJUSTABLE BRACKET SHOWN

Figure 7



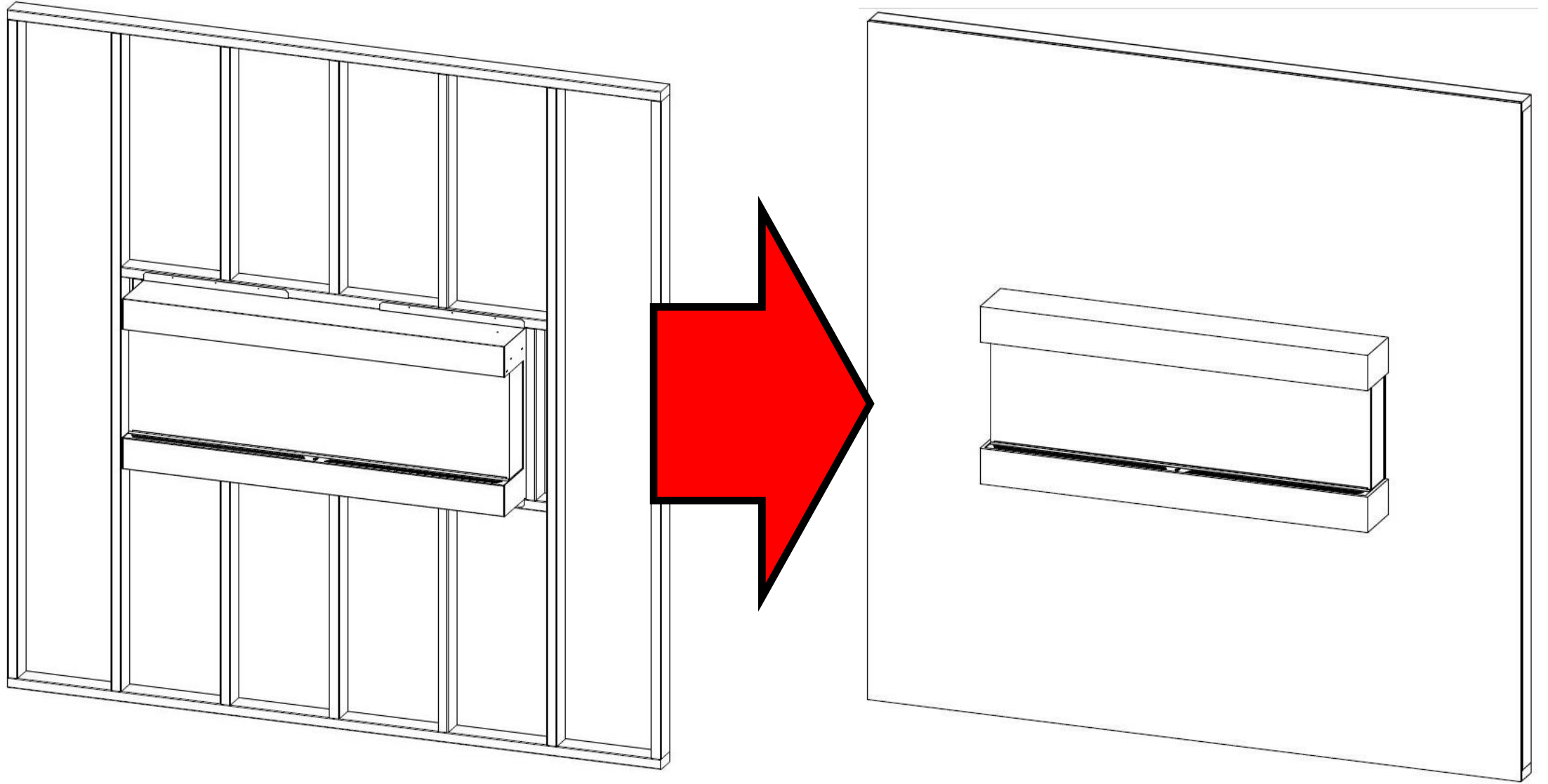
STEP 4

- Electrician can now hardwire fireplace according to local and national codes. Reference fireplace install manual for detailed information.
- Once hardwired slide fireplace into framed opening and secure with the provided #8 x 1-5/8" screws. (See figure 8 & 9)



STEP 4B

If built-in recessed installation, finish wall prior to proceeding to next step.



STEP 5

- Locate your cabinet mount brackets and M3-0.5 x 12 screws.
- These will be installed onto your fireplace drywall stops. (*see figure 10 & 11*) It is recommended you do one at a time. The M3-0.5 screws will take place of the original screws securing the drywall stop. (*see figure 12*)
- Note orientation of cabinet mount bracket; longer side must be away from the wall pointing towards you.
- The drywall stop and bracket will create a $\frac{3}{4}$ " slot for the cabinets that make up the suite to slide onto. (*see figure 13*) Diameter of hole in bracket is designed to give minor adjustment if needed.
- Complete install on all four corners of fireplace. (Top Left & Right, Bottom Left & Right)

CABINET MOUNT BRACKET



Figure 10

DRYWALL STOP

CABINET MOUNT BRACKET HOLES ALIGN ON DRYWALL STOP

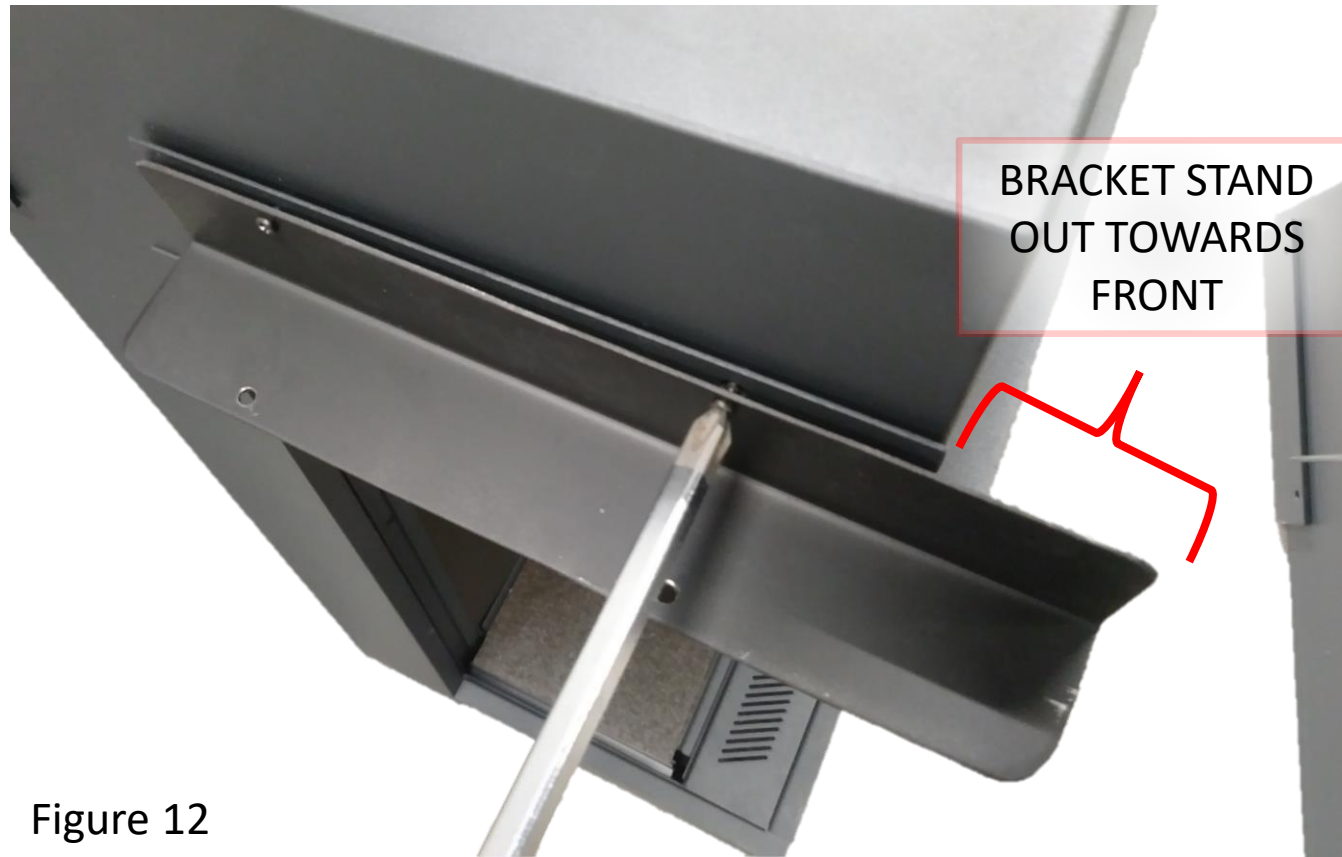


Figure 11

STEP 5 CONTINUED

EXAMPLE OF INSTALLATION

BEST TO LEAVE HARDWARE LOOSE UNTIL BOTH SCREWS ARE STARTED FOR EASE OF INSTALLATION



STEP 6

Reference fireplace install manual for additional information

INSTALL SIDE GLASS FIRST

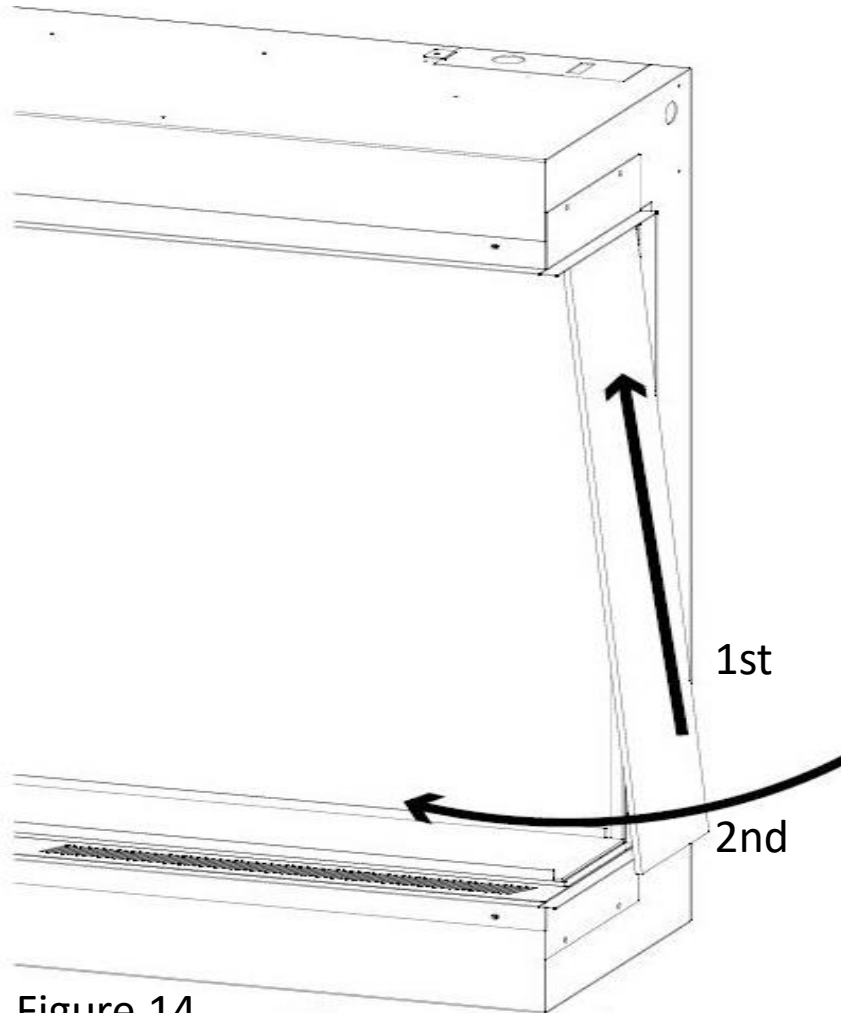


Figure 14

INSTALL DESIRED MEDIA

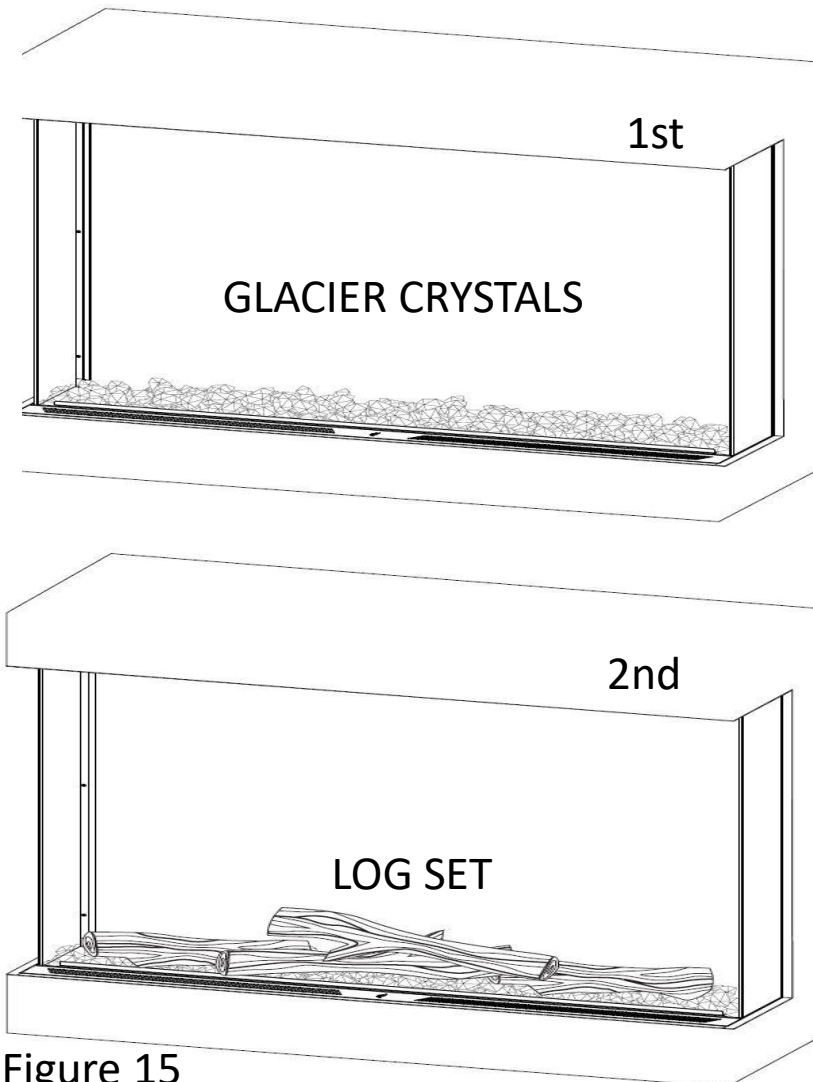


Figure 15

INSTALL FRONT GLASS

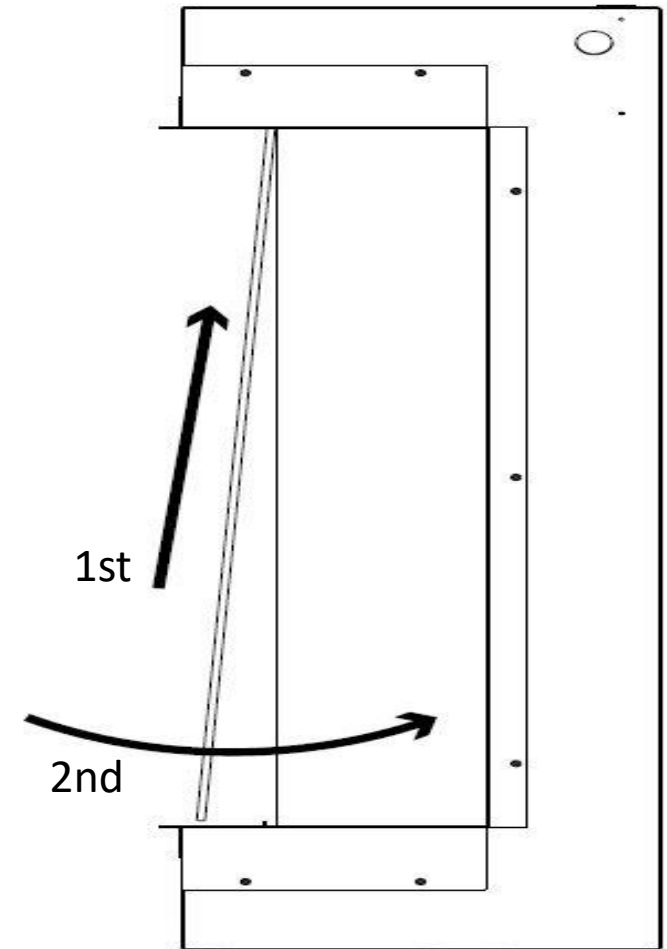


Figure 16

STEP 7

- Secure the bottom cabinet and align left and right onto brackets. (*see figure 17*) Cabinet will slide in between the bracket and drywall stops. **MAKE SURE TO INSERT CABINET LEVEL & EVENLY TO AVOID DAMAGING CABINET. IF TOO TIGHT REMOVE CABINET, LOOSEN BRACKETS, MAKE SPACING LARGER, AND RE-TIGHTEN BRACKETS; THEN RETRY.**
- Now locate your top cabinet. Remember it must have a notch on the inside to allow for power. Same steps performed as the bottom cabinet install with the addition of making sure to hide any cables and install it. (*see figure 18*)
- See figure 19.1 & 19.2 for close up of cabinet sliding in between both brackets.

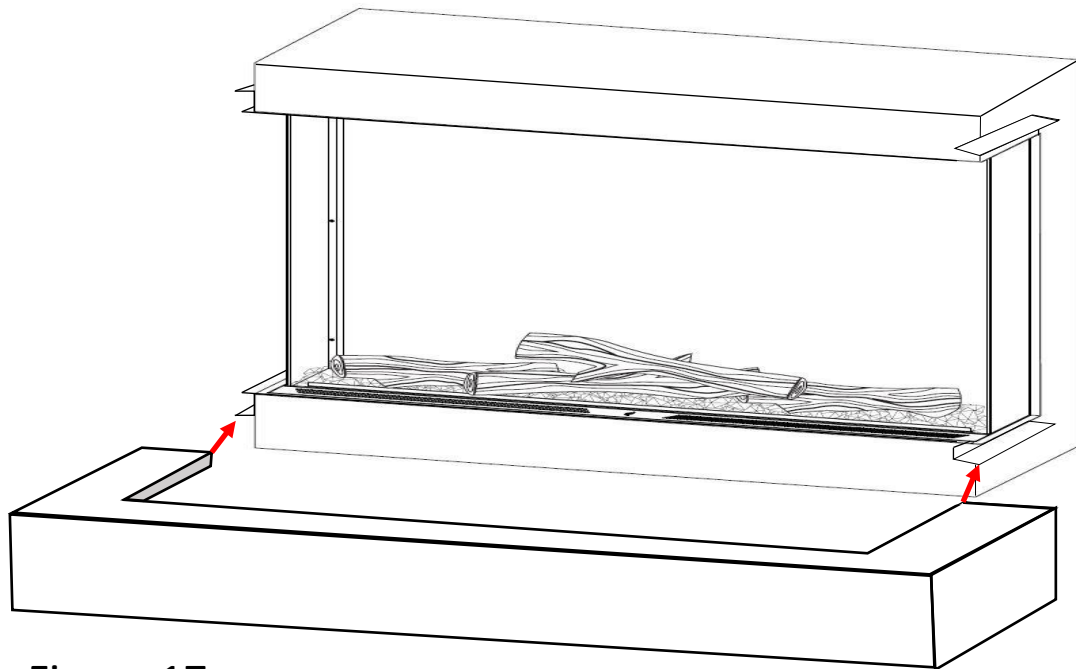


Figure 17

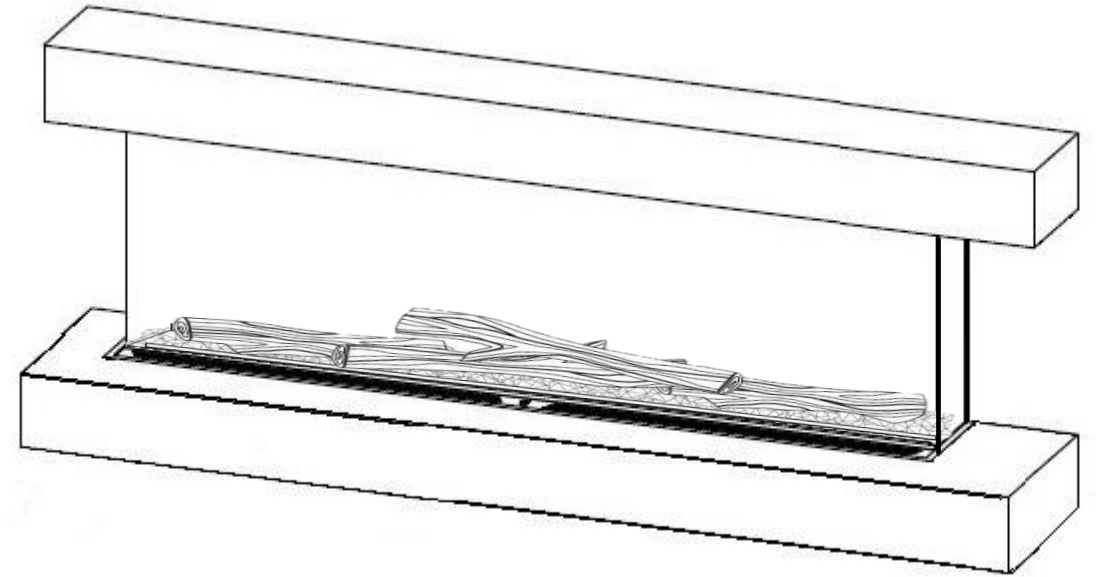


Figure 18

STEP 7 CONTINUED



Figure 19.1



Figure 19.2

CABINET SLIDING IN BETWEEN CABINET
MOUNT & DRYWALL STOP.
KEEP LEVEL AND MAKE SURE LEFT & RIGHT
GO IN EVENLY

RECESSED INSTALL COMPLETE



Question or concerns feel free to contact
Modern Flames Customer Service
Monday – Friday 08:00 am – 05:00 pm AZ MTN STD
1-877-246-9353
or email
customerservice@modernflames.com