

**INSTRUCTION MANUAL**

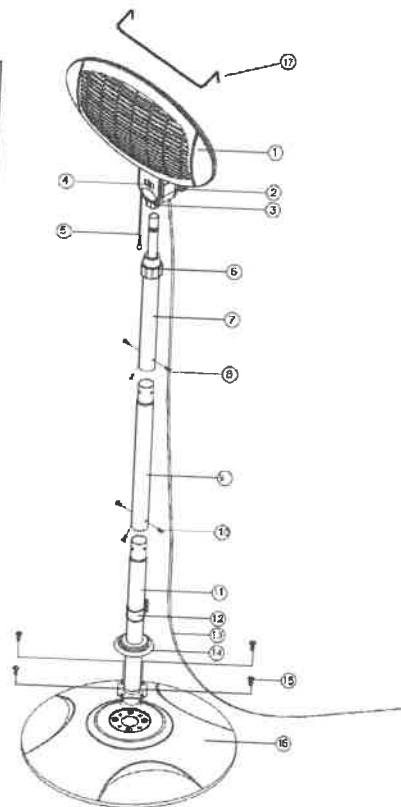
**Adjustable Stand Patio Heater**

**Model:PHP-1500DI**



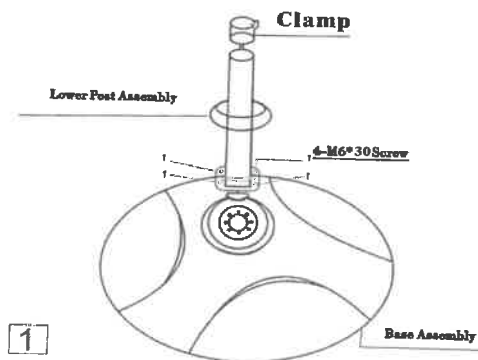
## CONTENTS

No.	Name
1	Heating Element Assembly
2	M4 X 10 Screw (Qty 2)
3	Body
4	Position Indication Plate
5	Pull Switch
6	Tube Cover
7	Upper Post Assembly
8	M5 X 6 Screw (Qty 3)
9	Middle Post
10	M5 X 6 Screw (Qty 3)
11	Lower Post Assembly
12	Clamp
13	Power Cord
14	Base Cover
15	M6 X 30 Screw (Qty 4)
16	Base Assembly
17	Handle

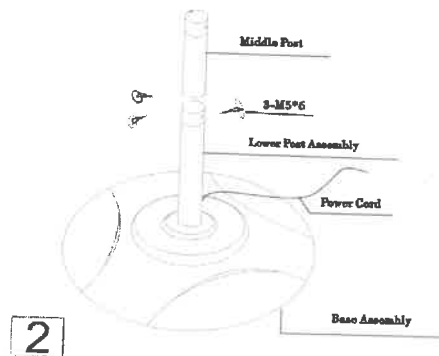


**ASSEMBLY****Step 1**

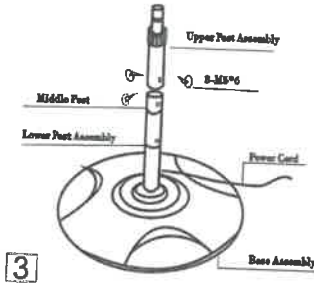
Insert the lower post assembly (11) into the base assembly (16) and attach it tightly using 4 M6X30 screws. Insert the clamp (12) into the lower post (11). (See figure 1)

**Step 2**

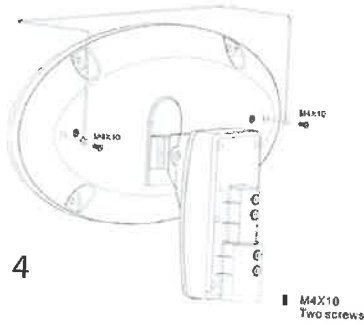
*attach to*  
Join the lower post assembly (11) and the middle post (9) using 3 M5X6 screws. (See figure 2)



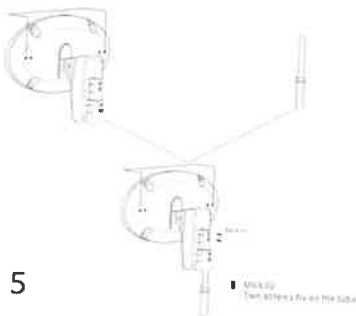
Step 3  
*attach to*  
Join the upper post assembly (7) and the middle post (9) using 3 M5X6 screws.  
(See figure 3)



Step 4  
Attach handle to the back of heating element assembly with 2 M4X10 screws.  
(See figure 4)

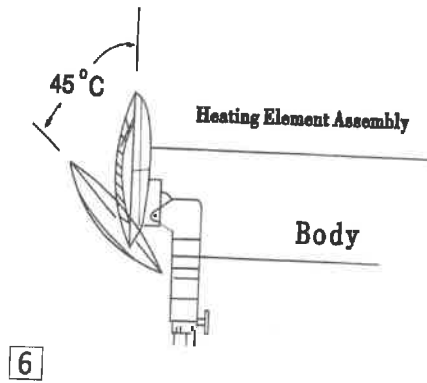


Step 5  
Join the heating element assembly (1) and the upper post assembly (7) together and tighten the screws. Use the clamp to secure power cord. (See figure 5)



Step 6

Adjust heating element assembly to desired position. Heater is ready for use. (See figure 6)



**IMPORTANT SAFETY INSTRUCTIONS**

- This electrical appliance complies with technical safety and electromagnetic compatibility standards.
- Never touch your heater when in operation (risk of burns).
- Never touch your heater with wet hands.
- Never rotate the heating part of the appliance during operation. To change the tilt angle of the heating part, we advise you to wait for 15 minutes after the appliance has been switched off.
- Never place anything on your heater's safety guard as this may cause overheating (e.g. towels.) Never use your appliance to dry washing.
- After the heating element has stopped glowing, it may still be live and potentially dangerous. Check that the selection indicator (5) is in the off position before taking any action.
- Switch off your appliance:
  - After use
  - In the event of malfunction
  - Before cleaning it.
- Never operate your appliance if it has fallen over.
- Never dismantle your appliance. An incorrectly repaired appliance may be dangerous to the user.
  
- The warranty will be void in the event of damage arising from improper use.
- Do not use this heater in the immediate surrounding of a bath, a shower or a swimming pool.
- This movable appliance is designed for use in patio areas, and can be used indoors and outdoors.
- The heater is provided with an anti-tilt switch which will switch off the heater if it is overturned, and will switch it on again automatically when it is restored to its upright position.
- Before using the appliance at the first time, ensure that your mains voltage corresponds to voltage indicated on the appliance. It is a class I appliance and must be grounded.
- Do not use this heater with a programmer, timer or any other device that switches the heater on automatically, since a fire risk exists if the heater is covered or positioned incorrectly.
- Do not place the appliance close to curtains and other combustible materials.

**IMPORTANT SAFETY INSTRUCTIONS (CONTINUED)****IF OVERHEATED**

- If heater becomes overheated, it will shut down automatically and the heater will turn off.
- Unplug the appliance from socket outlet and let the appliance cool down.
- Remove any nearby objects that may be causing overheat conditions. Keep at least 3ft(9m) away from all sides of unit to allow adequate air circulation.
- Use the appliance in a well ventilated area.
- When the appliance has cooled sufficiently, plug the appliance into socket outlet again, it will work normally. Please note this cool-down period could take 30-45 minutes.

**IF TIPPED OVER**

- If the heater tips over, it will shut down automatically and the red power light will turn off.
- Place the unit on a flat, smooth, stable surface in order to prevent it from tipping over again.

**MAINTENANCE AND STORING**

**CAUTION:** Always be sure that the appliance is switched off before cleaning or attempting to store the item. Do not immerse heater in water or allow water to drip into the interior of the heater, as this could create an electric shock hazard.

**CAUTION:** Allow the appliance to cool down completely before handling or cleaning it.

**CARE AND CLEANING**

- Always ensure the appliance housing is intact and completely assembled before use.
- Do not touch hot surfaces. Always use the handle of the appliance.
- Clear the external surface of the appliance by wiping it with a soft, damp cloth.
- Do not use any abrasive cleaners or solvents as appliance damage will occur.
- The motor has been lubricated at the factory and requires no additional lubrication for the life of the appliance.

**STORING**

- Allow the appliance to cool completely before storing. Store the appliance in a dry location.
- Do not place any heavy items on top of appliance as this may result in possible damage to appliance.

**TROUBLE SHOOTING**

- If you heater fails to operate, please follow these instructions:
- Ensure your circuit breaker or fuse is working properly.
- Be sure the heater is plugged in and that electrical outlet is working properly.
- If ON/OFF switch is not illuminated at ON position, please contact us for repairs directly.

**Operation**

Turn the heater on using the pull switch. The slight vibration noticeable when the heater is switched on will stop after a few seconds.

**Heat output**

Position 0 - Off

Position 1 - 500W (normal power)

Position 2 - 1000W (intermediate power)

Position 3 - 1500W (full power)