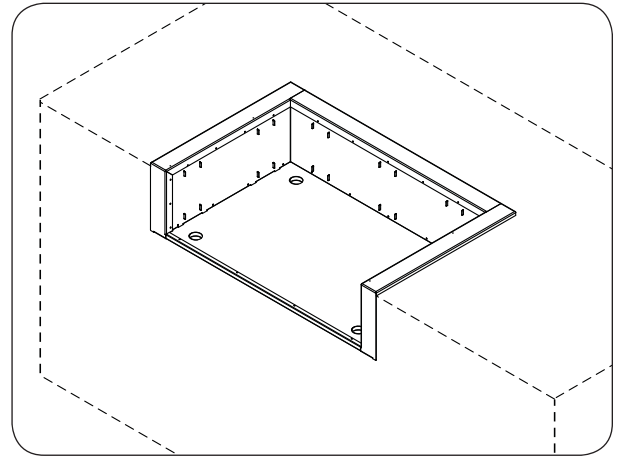




# GRILL INSULATING LINER

Model# (24, 30, 36)-IL-B



**INSTALLER:** Leave these instructions with consumer.  
**CONSUMER:** Retain for future reference.

## SPECIFICATIONS

### IMPORTANT INFORMATION

Read these instructions and the safety and installation sections of the grill owner's manual before liner installation.

The insulating liner comes pre-assembled and ready to install.

FOR YOUR SAFETY, the enclosure must provide openings for drainage, replacement air, and cross-ventilation of any storage area exposed to possible leakage from gas connections, the unit, or propane cylinders.

**This liner is only for installation in an enclosure constructed of combustible materials and a NON-COMBUSTIBLE countertop.**

**All additional enclosure requirements, safety guidelines, and any other requirements found in your grill owner's manual MUST BE FOLLOWED.**

### DETERMINE INSTALL METHOD AND PREPARE CUTOUT

The insulating liner can be hung from the countertop using the liner hangers (see Fig. 1-1, **A**), or the liner bottom can sit directly on a sturdy base with the additional support of the hangers (see Fig. 1-1, **B**).

See your grill owner's manual for all overall enclosure requirements.

See sections on following pages regarding cutout dimensions, and countertop overhang and substrate considerations. Then proceed to **INSTALLATION**.

Grill Series	Liner Model
24NB(L,T)	24-IL-B
30NB(L,T)	30-IL-B
36NB(L,T)	36-IL-B

Table 1 - Models available

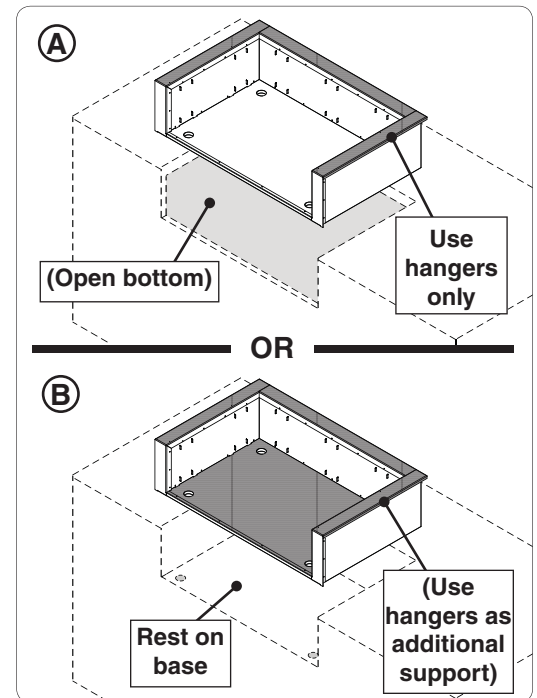


Fig. 1-1 Determine install method

## CUTOUT DIMENSIONS

	24-IL-B	30-IL-B	36-IL-B
<b>A</b> Countertop to unit bottom <b>cut-out</b>	9"	9"	9"
<b>B</b> Side to side <b>cut-out</b>	28 <sup>5</sup> / <sub>8</sub> "	34 <sup>5</sup> / <sub>8</sub> "	40 <sup>5</sup> / <sub>8</sub> "
<b>C</b> Front to back <b>cut-out</b> *	21 <sup>5</sup> / <sub>8</sub> "	21 <sup>5</sup> / <sub>8</sub> "	21 <sup>5</sup> / <sub>8</sub> "
<b>D</b> Liner flange width <b>cut-out</b> †	29 <sup>5</sup> / <sub>8</sub> "	35 <sup>5</sup> / <sub>8</sub> "	41 <sup>5</sup> / <sub>8</sub> "

\* Includes any substrate at front wall of enclosure (in the areas the liner flanges are to sit flush against).  
 See **SUBSTRATE** section on next page.

† Only applicable for enclosures that have countertops with an overhang (see illustration and section below).

**Table 2 - Cutout Dimensions**

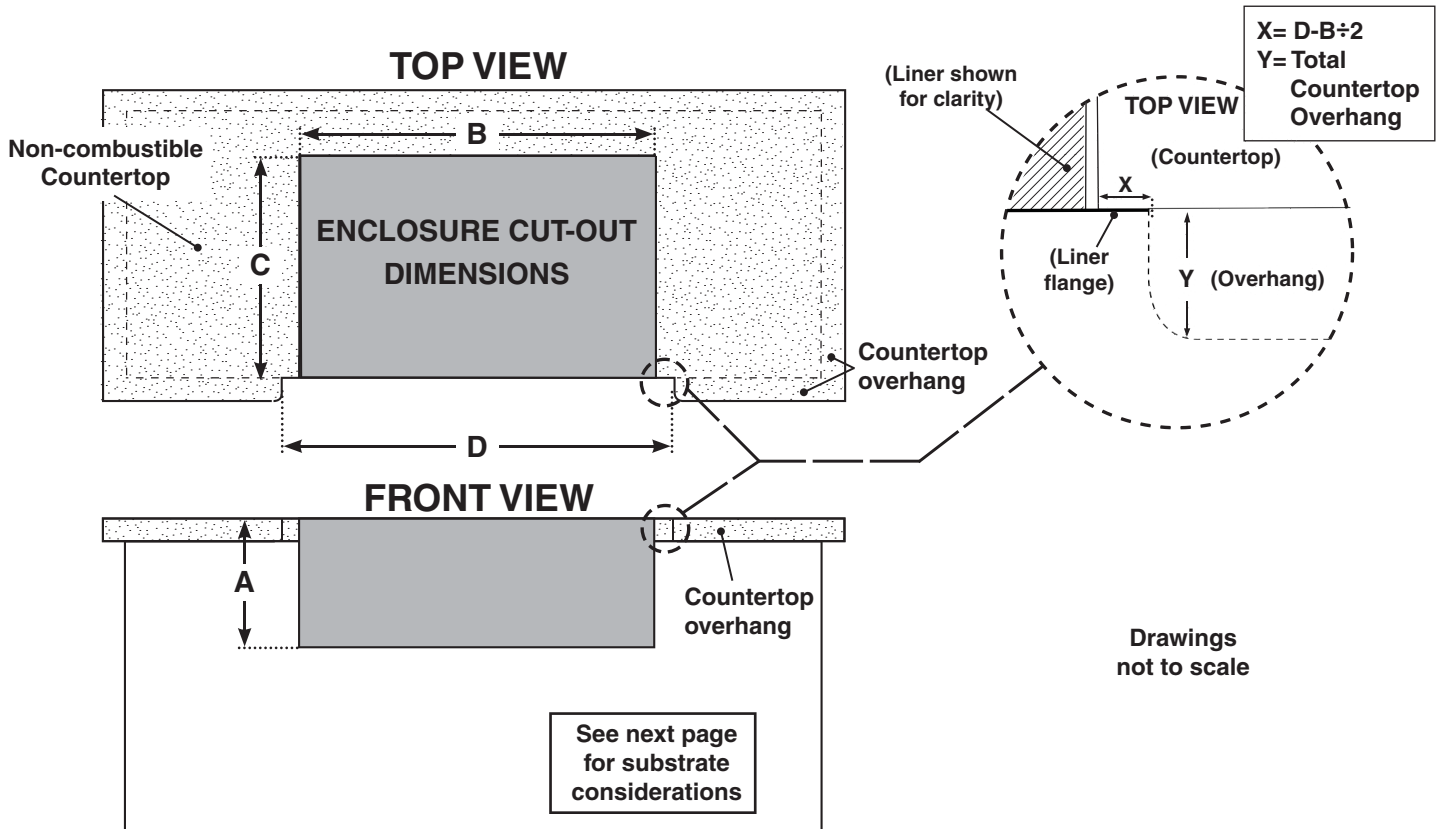


Fig. 2-1

### Countertop Overhang

The liner front flanges are designed to sit flush against the enclosure front wall. If the countertop extends beyond the front wall, creating a countertop overhang, it must be cut flush with the front wall for the width of the liner flanges or a gap will be created exposing the forward portions of the left and right side liner walls. See illustrations above.

**Important:** FOR YOUR SAFETY, you must provide openings in the island enclosure for drainage, replacement air, and cross-ventilation of any storage area exposed to possible leakage from gas connections, the unit, or propane bottles. See the ENCLOSURE REQUIREMENTS section in grill owner's for details.

## Substrate

When adding any substrate to the enclosure front wall (including tiles, stone, etc.), consider the following:

### Substrate Behind Liner Flange

Substrate + countertop "front to back" cutout must equate to **Dim. C** (see previous page) when the substrate sits flush behind the liner flanges.

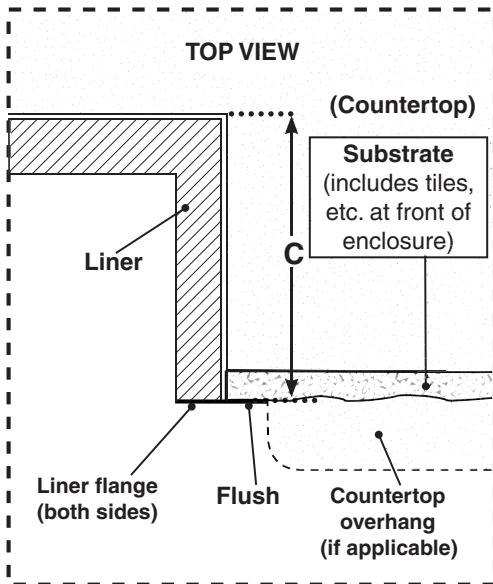


Fig. 3-1

### Substrate Alongside Liner Flange

Any additional substrate alongside the liner flanges does not need to be considered in **Dim. C** (see previous page).

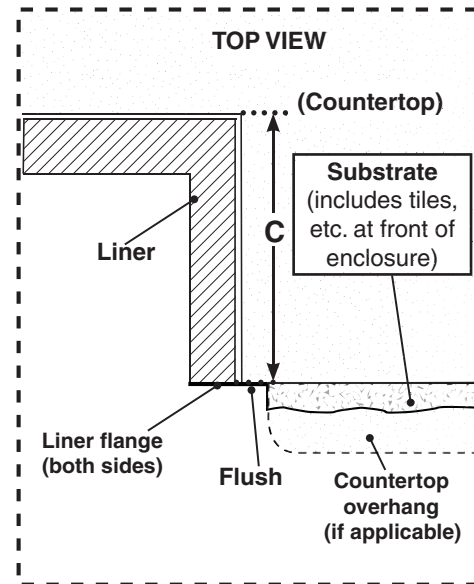


Fig. 3-2

## INSTALLATION

1. Install the insulating liner as shown in Fig. 3-3.
  - If installing on a countertop with an irregular/textured surface, a bead of silicone sealer rated for 400° or higher may be needed.
  - If the liner is being installed using method B, a 1 1/2" hole must be cut through the base (enclosure) to allow for proper gas installation.

If applicable, a second 1 1/2" hole must be cut to allow for proper electrical installation.

See Fig. 3-3 for hole locations. Use the insulating liner holes as guides. Remove knock-outs as needed.

- Holes exist at the rear of the liner; however, it is recommended to use the front holes.
2. Install your grill per your grill owner's manual.

**Important:** Do not allow the grill hanger to come in contact with the countertop or any combustible surface (see Fig. 3-4).

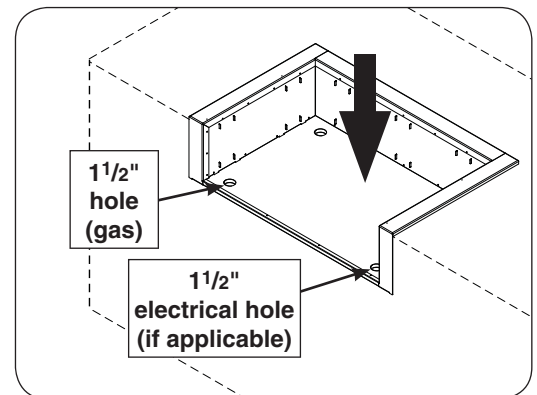


Fig. 3-3 Install insulating liner

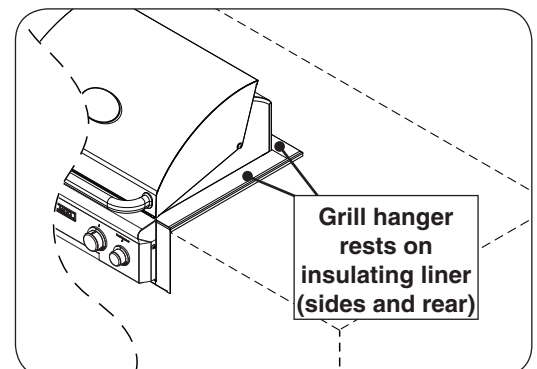


Fig. 3-4 Install grill into liner

Please use this page to record any information that you may want to have at hand.