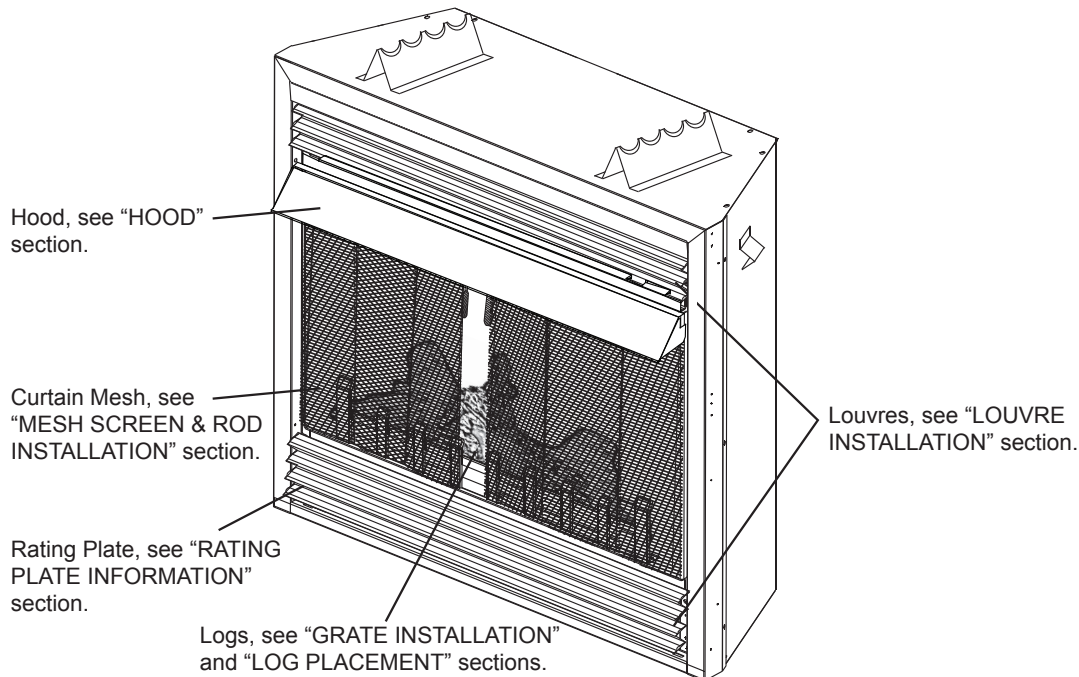


Specifications

Model	BTU	Width		Height		Depth	
		Actual	Framing	Actual	Framing	Actual	Framing
GVF36-2	30,000	37 3/8	37 7/8	35 1/2	35 3/4	13 1/4	13 1/2

Installation Overview

For more installation details, see the following sections in your installation manual:

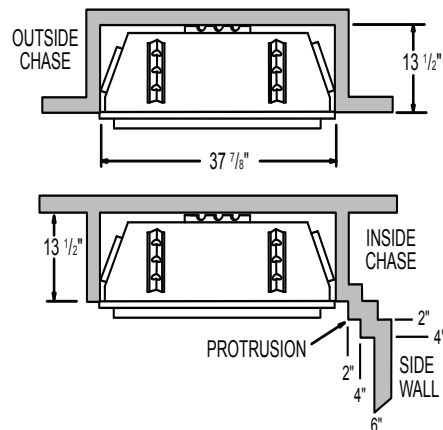
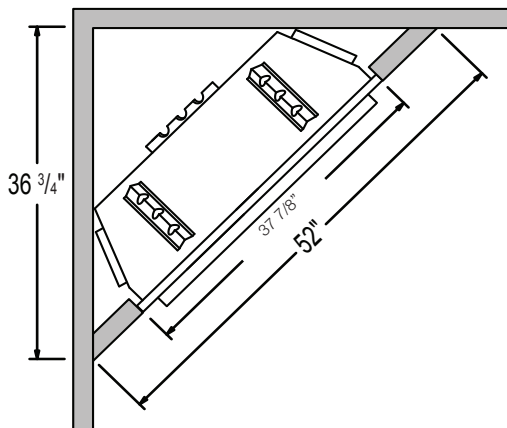


Minimum Clearance to Combustibles

Combustible protrusions such as mantels and shelves may occur at or after a minimum distance of 2" away from the side of the appliance. Thereafter, the depth of any protrusion must be of equal or less than the distance from the side of the appliance up to a depth of 6", after which no greater clearance than 6" is required. This can be considered a side wall with no length boundary.

Minimum clearance to combustible construction from appliance:

Sides, back, bottom, and top of appliance:	0"
Recessed depth:	13 1/2"

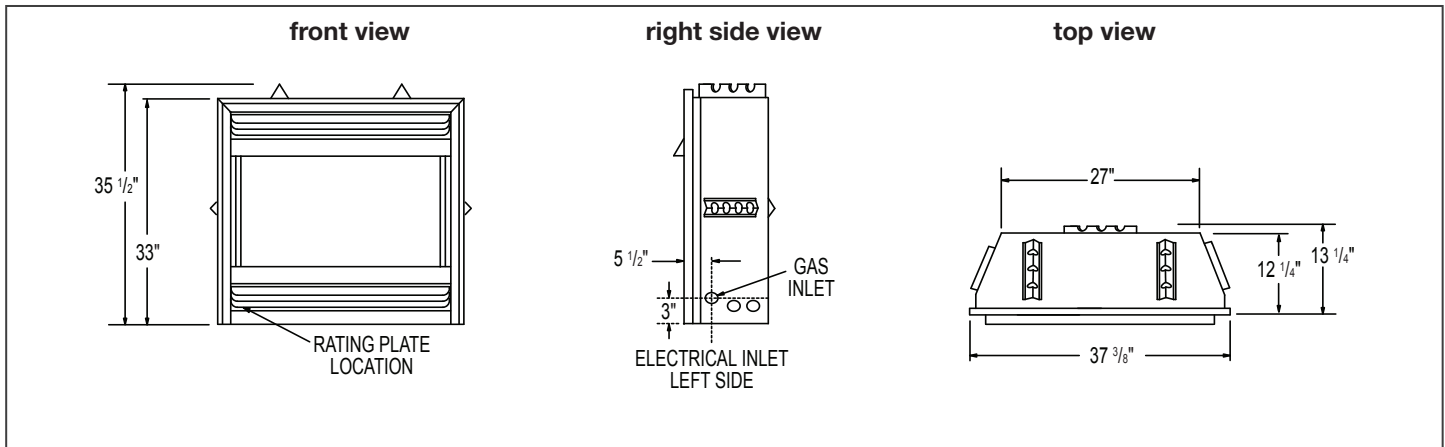


GRANDVILLE™ VENT FREE SERIES

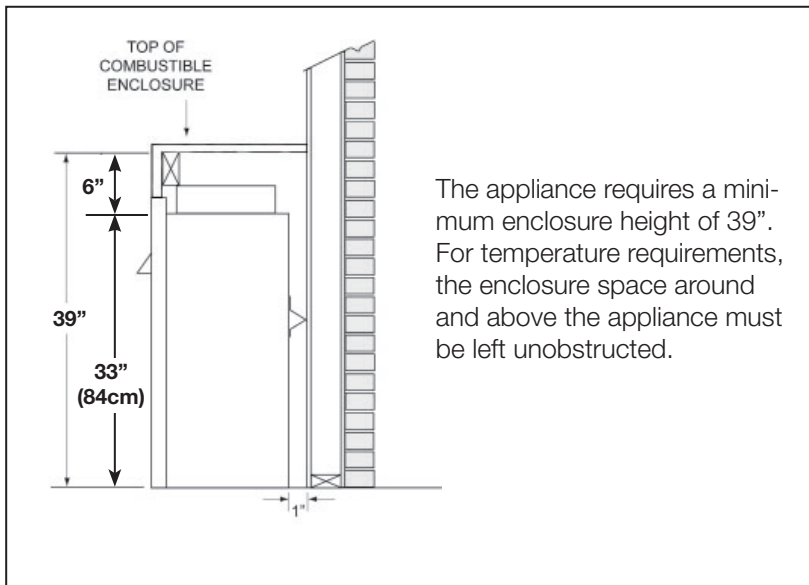


Product information provided is not complete and is subject to change without notice. Please consult the installation manual for the most up to date installation information.

Dimensions

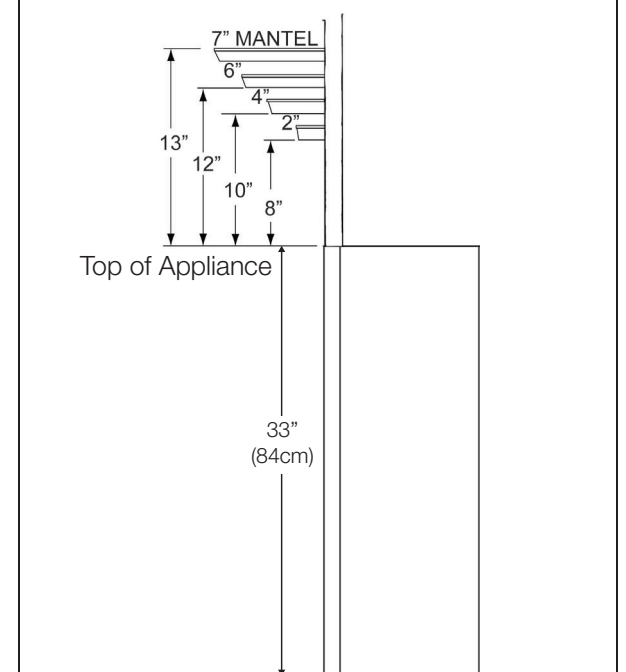


Minimum Clearances to Combustible Enclosures



Minimum Mantel Clearances

Combustible mantel clearance can vary according to the mantel depth. Use the graph to help evaluate the clearance needed.



Framing

It is best to frame your appliance after it is positioned. Use 2x4's and frame to local building codes.

