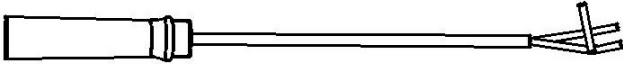
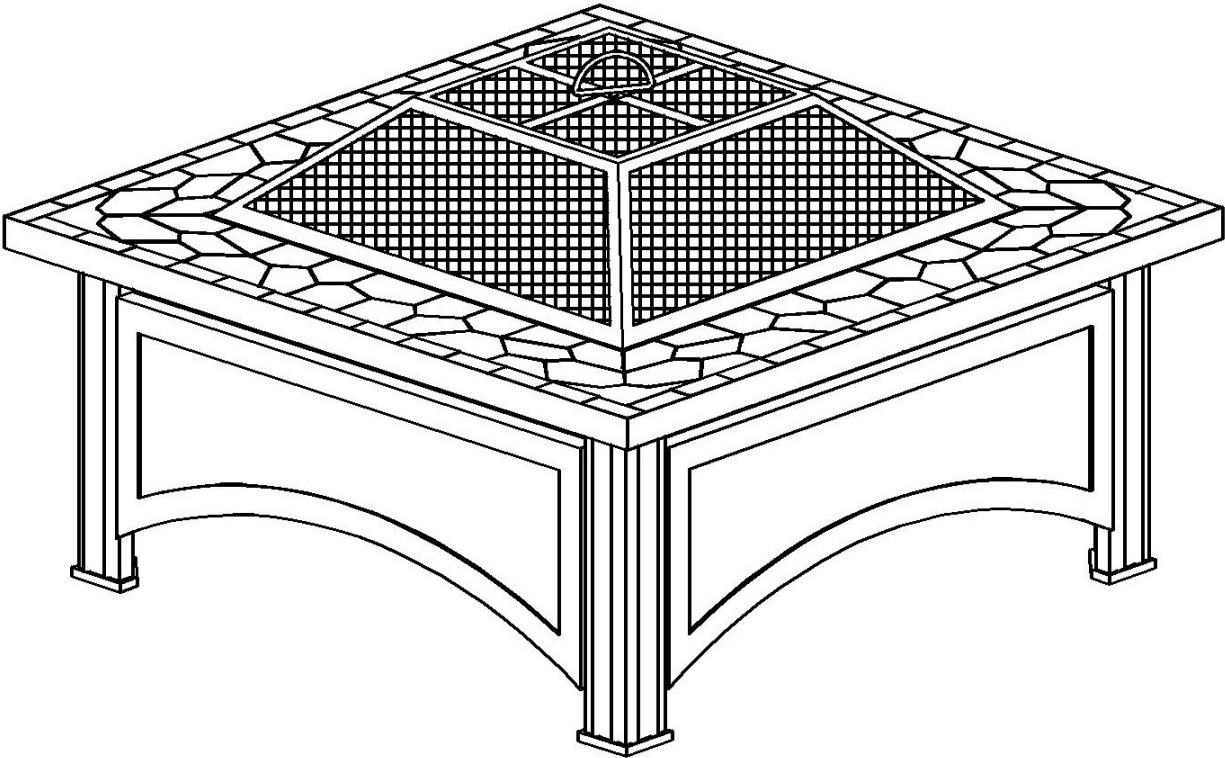




36" Slate Top Wood Burning Firepit

MODEL # FT-51133D

AZPH-YAYI



ATTACH YOUR RECEIPT HERE

Serial Number _____ **Purchase Date** _____

OWNER'S MANUAL

Item Number: YFP-51133D

Product Name: 36" Slate Top Wood Burning Firepit

WARNINGS:

- This fire bowl is intended for outdoor use only. Do not use on wooden decks.
- This fire bowl is intended to burn wood logs only. Do not burn coal, leaves, or other combustible materials in the fire bowl.
- Not for use by children. Keep children and pets away from the fire bowl.
- The fire bowl is hot. Use with caution. Do not touch the hot fire bowl with bare hands.
- Never leave the burning fire bowl unattended, and always extinguish the fire completely before leaving the fire bowl.
- Do not use near flammable or combustible objects or materials.
- When the fire bowl is in use, the handle on the mesh screen can reach extreme temperatures that can cause serious injury to an unprotected hand. Use a poker or an appropriate heat resistant glove or pad when handling.
- Check local fire regulations and municipal by-laws for safe use.

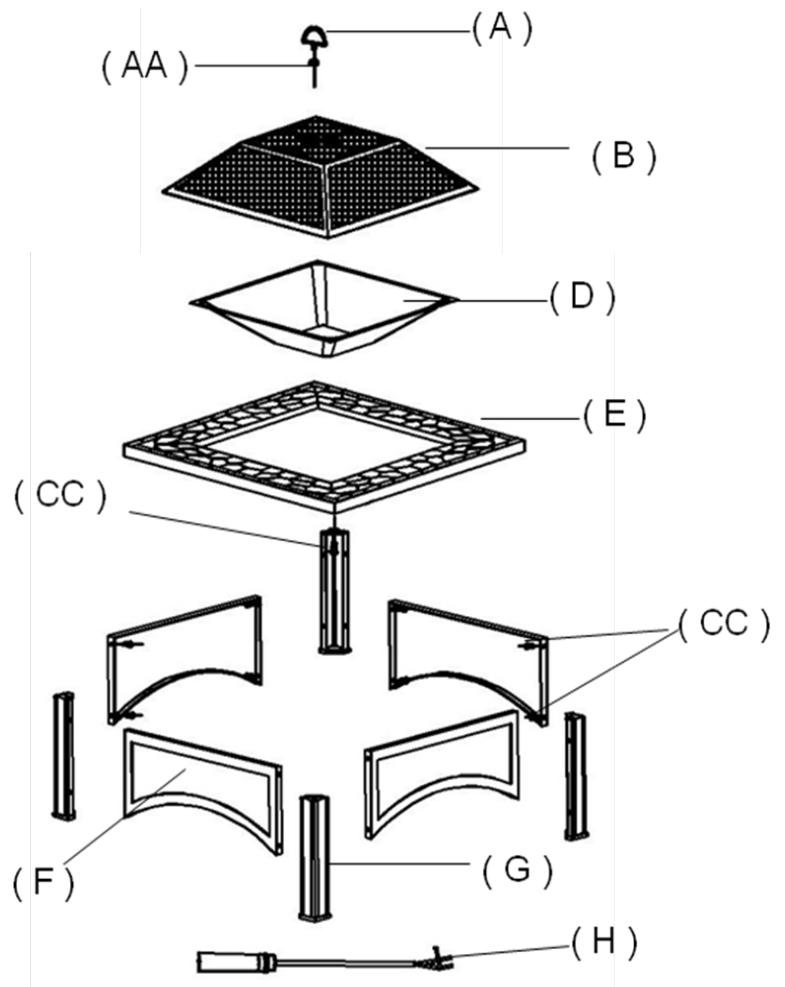
FIRE PIT PARTS LIST

No.	PARTS	Qty
A	Lift handle	1
B	Screen	1
D	Fire bowl	1
E	Slate top	1
F	Leg frame	4
G	Leg	4
H	Poker	1

HARDWARE LIST

NO.	PARTS	QTY
CC	M6*12 Bolt	20
AA	M6 Nut	1

Tools required :Screw driver(not included)



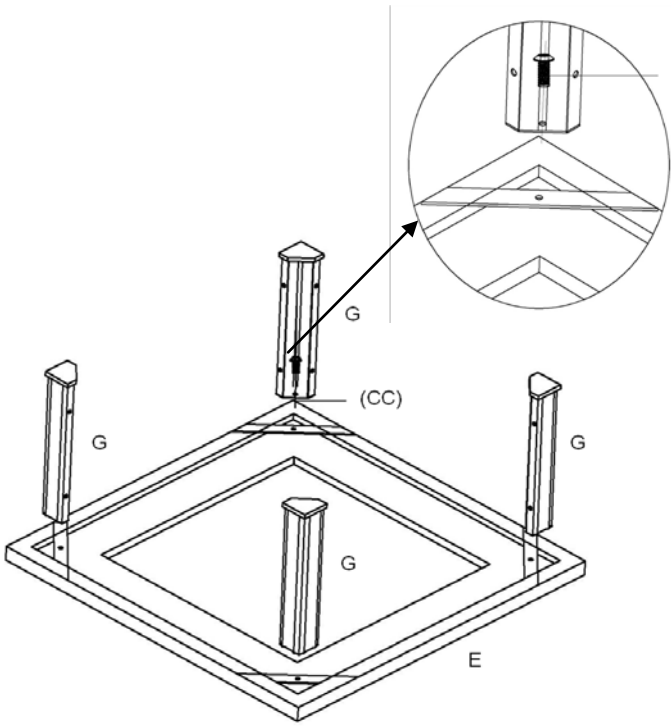


FIG 1

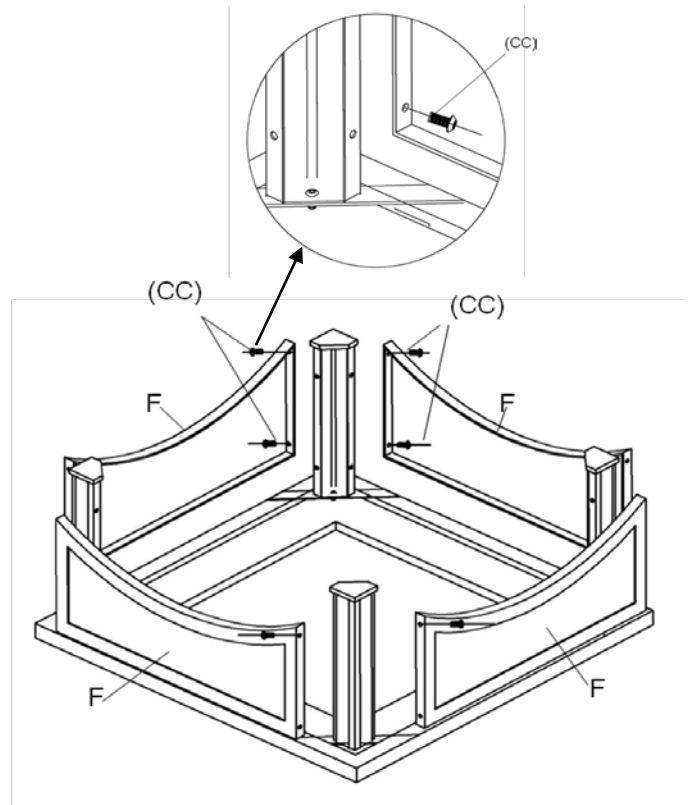


FIG 2

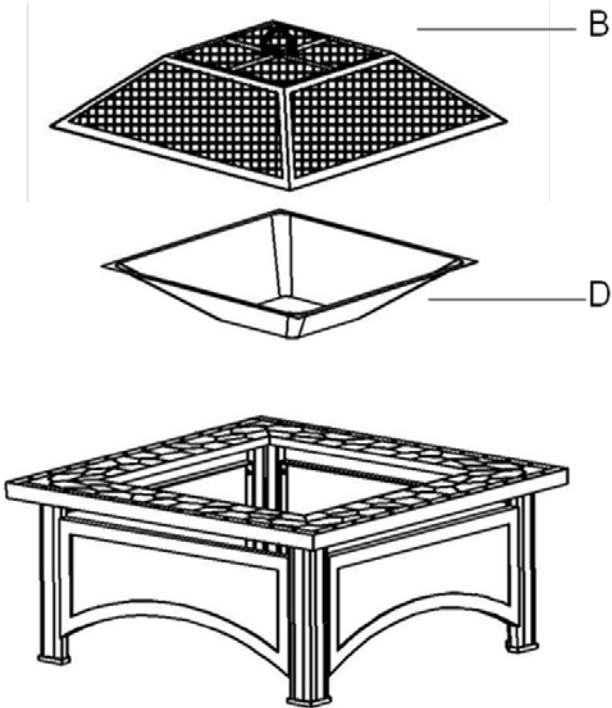


FIG 3

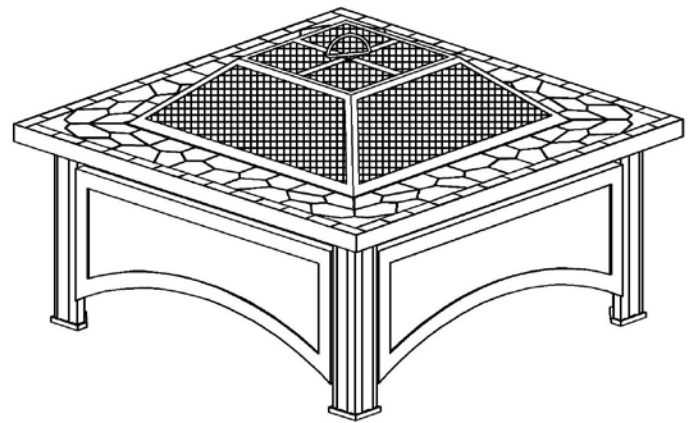


FIG 4

Assembly steps:

Step 1: Place the Tile top(E) upside down on a level flat surface. Then attach one leg(G) to the tile top by using Bolt(CC) screwed. **Do not tighten the bolt fully!** The same step for the other three legs.(See FIG 1)

Step 2: Connect one Leg frame(F) between two legs by using 4 Bolts(CC) tightened. **Do not tighten the bolts fully.** The same step for the remaining leg frames. Tighten all the bolts at last.(See FIG 2)

Step 3: Turn the assembly table top upside down, put Firebowl (D) onto the table.. **(See FIG 3)**

Step 4: Assembly the Screen (B) by using Lift handle(A) and Nut(AA).Finally put the screen on the firebowl.

Your fire pit is ready for use now! Enjoy!