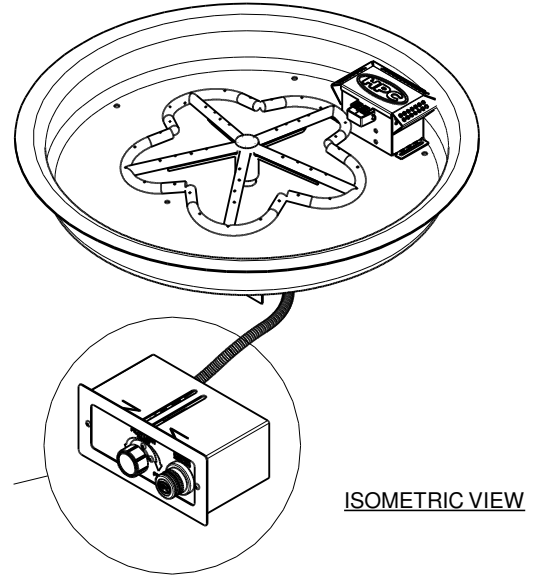
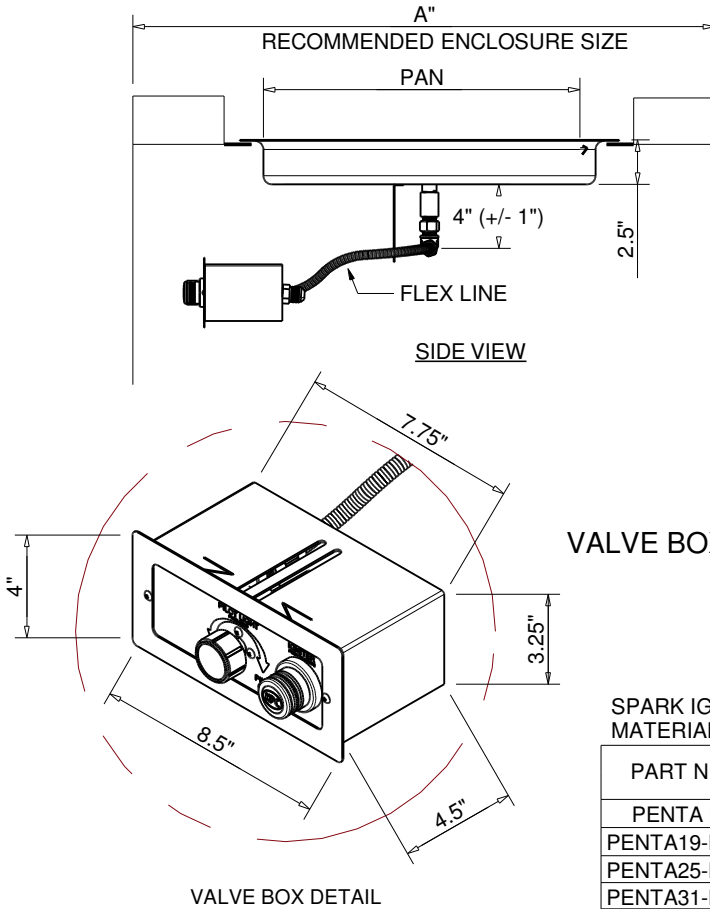




Hearth Products Controls Co
CSA CERTIFIED-OUTDOOR USE ONLY
FOR COMMERCIAL AND RESIDENTIAL USE

HEARTH PRODUCTS CONTROLS
 3050 PLAINFIELD RD.
 KETTERING, OH 45432
 TOLL FREE: 1-877-433-7001
 PHONE: (937) 433-7000
 FAX: (937) 433-0704
 www.hpcfire.com



VALVE BOX DETAIL

ISOMETRIC VIEW

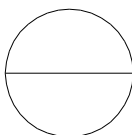
SPARK IGNITION BY AA BATTERY
 MATERIAL: 304 STAINLESS STEEL

PART NUMBERS	DIMENSION CHART						
	PAN	BURNER 1		BURNER 2		A"	STND FLEX LINE LENGTH
PENTA BURNER	SIZE	BTU	SIZE	BTU	A"		
PENTA19-FPPK-FLEX	19"	12"	65K	-	-	45"	36"
PENTA25-FPPK-FLEX	25"	18"	100K	12"	65K	54"	36"
PENTA31-FPPK-FLEX	31"	24"	140K	18"	100K	54"	36"
PENTA37-FPPK-FLEX	37"	30"	140K	24"	140K	54"	36"

PART NUMBERS	DIMENSION CHART						
	PAN	BURNER 1		BURNER 2		A"	STND FLEX LINE LENGTH
ROUND BURNER	SIZE	BTU	SIZE	BTU	A"		
FPPK13-FLEX	13"	12"	90K	6"	65K	45"	36"

Notes:

- PROPER VENTING
 - ENCLOSURES: Recommend 4 each 18 sq.in. vents on opposing sides (Minimum 2 each 18 sq.in. vents).
 - GAS SUPPLY - FOR USE WITH FIXED PIPING SYSTEMS OR FOR USE WITH SMALL TANKS UP TO 90K.
 - Natural Gas: Operating Supply Pressure: Minimum: 6.0" W.C.; Maximum: 7.0" W.C.
 - LP Gas: Operating Supply Pressure: Minimum: 10.0" W.C.; Maximum: 11.0" W.C.
- IMPORTANT: Ensure any flex line that may be used from the permanent main fuel supply to the product is rated to the stated max btu of the product and certified to ANSI Z21.75*CSA 6.27.
- MODIFICATION OF PRODUCT WILL VOID ANY CERTIFICATION AND WARRANTY.
 - FOLLOW ALL MANUFACTURER INSTALLATION INSTRUCTIONS AND LOCAL CODES.
 - ALL DIMENSIONS ARE CONSIDERED TRUE AND REFLECT MANUFACTURER'S SPECIFICATIONS AS OF THE REVISION DATE.
 - DO NOT SCALE DRAWING.
 - THESE DRAWINGS ARE FOR SIZING AND PLANNING PURPOSES. ALL INFORMATION CONTAINED HEREIN WAS CURRENT AT THE TIME OF DEVELOPMENT. THE MANUFACTURER'S RESPONSIBLE FOR THE ACCURACY OF THE DRAWING.
 - CONTRACTOR'S NOTE: FOR PRODUCT AND COMPANY INFORMATION VISIT www.CADdetails.com/info REFERENCE NUMBER 771-003.



PUSH BUTTON/FLAME SENSING FIRE PIT INSERT - WITH FLEX LINE
 BOWL ROUND PAN - FPPK