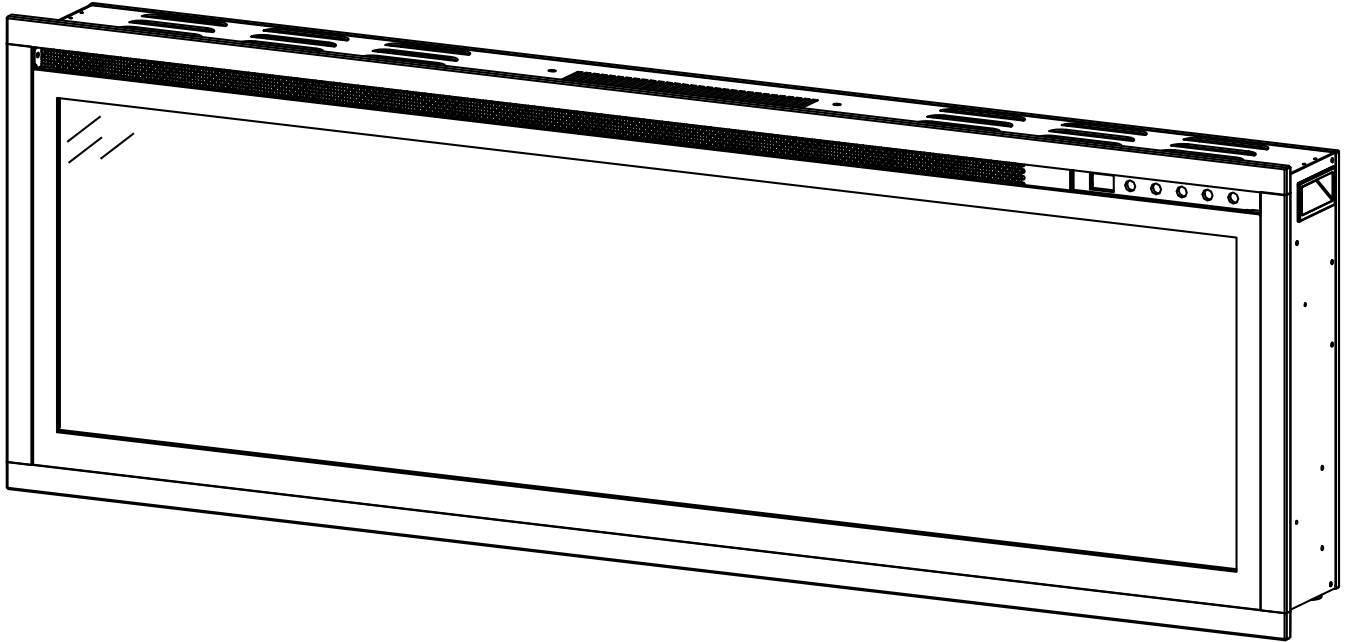




# INSTALLATION AND OPERATION MANUAL

Entice 36 / 42 / 50 / 60 / 72 / 100 Series  
(NEFL50CFH Illustrated)



**SAFETY INFORMATION**

**⚠ WARNING**

**FIRE OR EXPLOSION HAZARD**

If the information in these instructions are not followed exactly, a fire or explosion may result causing property damage, personal injury, or loss of life.

- Do not store or use gasoline or other flammable vapors and liquids in the vicinity of this or any other appliance.

**INSTALLER:**

Leave this manual with the appliance

**CONSUMER:**

Retain this manual for future reference



**This appliance has a remote that requires button batteries that are hazardous to young children.**

**FOR INDOOR USE ONLY**

CERTIFIED TO THE CANADIAN AND AMERICAN NATIONAL STANDARDS:  
CSA 22.2 NO. 46 / UL 2021



Wolf Steel Ltd., 24 Napoleon Rd., Barrie, ON, L4M 0G8 Canada / 103 Miller Drive, Crittenden, Kentucky, USA, 41030  
Phone 1 (866) 820-8686 • www.napoleon.com • hearth@napoleon.com

**! WARNING**

- **If equipped with a heater, this appliance can be hot when operated and can cause severe burns if contacted.**
- Do not operate appliance before reading and understanding operating instructions. Failure to operate appliance according to operating instructions could cause fire or injury.
- Do not install damaged, incomplete or substitute components.
- Do not burn wood or other materials in this appliance.
- All electric appliances have hot and arcing or sparking parts inside. Do not use it in areas where a gas line, paint or flammable liquids are present.
- Any safety screen or guard removed for servicing must be replaced prior to operating the appliance.
- It is imperative that the control compartments, circulating blower and its passageway in the appliance are kept clean. The appliance should be inspected before use and at least annually by a qualified service person. More frequent cleaning may be required due to excessive lint from carpeting, bedding material, etc. The appliance area must be kept clear and free from combustible materials, gasoline and other flammable vapors and liquids.
- Under no circumstances should this appliance be modified.
- Do not use this appliance if any part has been under water. Immediately call a qualified service technician to inspect the appliance and to replace any part of the control system which has been under water.
- If equipped with a glass door, do not operate the appliance with the glass door removed, cracked or broken. Replacement of the glass should be done by a licensed or qualified service person. Do not strike or slam shut the appliance glass door.
- Keep the packaging material out of reach of children and dispose of the material in a safe manner. As with all plastic bags, these are not toys and should be kept away from children and infants.
- Servicing should be done only while the appliance is disconnected from the power supply circuit.
- Always unplug appliance when not in use.
- Do not operate this appliance with a damaged cord or plug after the appliance malfunctions, has been dropped or damaged in any manner. Return appliance to authorized service facility for examination, electrical or mechanical adjustment, or repair.
- Do not use outdoors.
- When installing this appliance in a room where water is present, the installation must comply with codes recognizing the increased hazard of electrical shock and electrocution.

**note:**

This appliance is NOT suitable for installation in a bathroom.


- Do not run cord under carpeting. Do not cover cord with throw rugs, runners, or the like. Arrange cord away from traffic area and where it will not be tripped over.
- Connect to properly grounded outlets only.
- Do not insert or allow foreign objects to enter any ventilation or exhaust opening as this may cause an electric shock or fire, or damage the appliance.
- It is normal for your electric appliance to produce noise, especially when installed in a quiet space such as a bedroom.

 **WARNING**

- To prevent a possible fire, do not block air intakes or exhaust in any manner. Do not use on soft surfaces, like a carpet, where openings may become blocked.
- Always plug appliances directly into a wall outlet/receptacle. Never use an extension cord or relocatable power tap (outlet/power strip).
- These appliances are tested and listed for use only with the optional accessories listed in these instructions. Use of optional accessories not specifically tested for this appliance could void the warranty and/or result in a safety hazard.

**For appliances equipped with a heater:**

- Risk of burns. Power to the appliance should be turned off and the appliance allowed to cool before servicing. To disconnect power to the appliance, turn controls to off, then remove plug from outlet.
- Young children should be carefully supervised when they are in the same room as the appliance. Toddlers, young children and others may be susceptible to accidental contact burns. A physical barrier is recommended if there are at risk individuals in the house. To restrict access to an appliance or stove, install an adjustable safety gate to keep toddlers, young children and other at risk individuals out of the room and away from hot surfaces.
- Clothing or other flammable material should not be placed on or near the appliance.
- Due to high temperatures, the appliance should be located out of traffic and away from furniture and draperies.
- Ensure you have incorporated adequate safety measure to protect infants/toddlers from touching hot surfaces.
- Even after the appliance is off, the glass and/or screen will remain hot for an extended period of time.
- Check with your local hearth specialty dealer for safety screens and hearth guards to protect children from hot surfaces. These screens and guards must be fastened to the floor.
- Ensure clearances to combustibles are maintained when building a mantel or shelves above the appliance. Elevated temperatures on the wall or in the air above the appliance can cause melting, discolouration or damage to decorations, a TV or other electronic components.

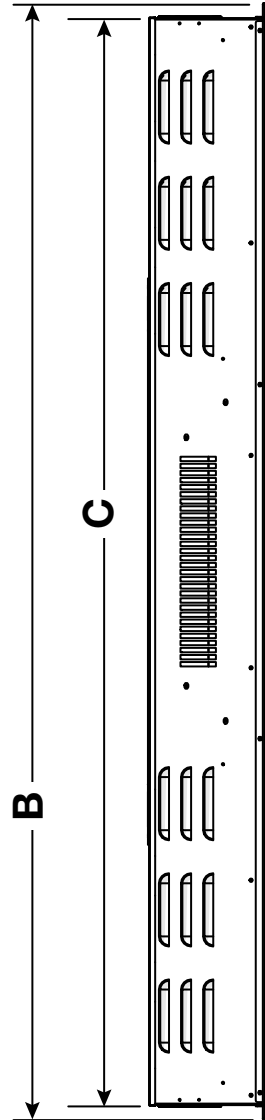
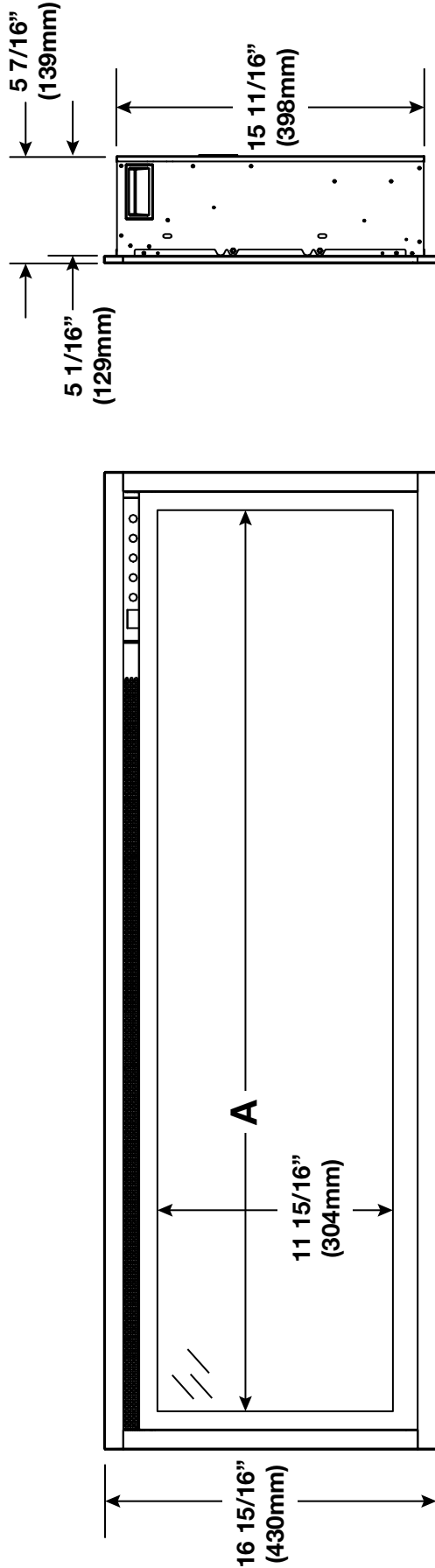
 **WARNING:** This product can expose you to chemicals including lead and lead compounds, which are known to the State of California to cause cancer, and chemicals including BBP and DEHP, which are known to the State of California to cause birth defects or other reproductive harm. For more information, go to [www.P65Warnings.ca.gov](http://www.P65Warnings.ca.gov).

<b>1.0</b>	<b>general information</b>	<b>5</b>
1.1	dimensions	5
1.2	rating plate information	6
1.3	label location	6
1.4	listing approvals	7
1.5	general instructions	7
1.6	unpacking and testing the appliance	8
1.7	hardware list	8
<b>2.0</b>	<b>appliance placement</b>	<b>9</b>
2.1	grounding the appliance	9
2.2	installation overview	10
<b>3.0</b>	<b>installation</b>	<b>11</b>
3.1	minimum clearance to combustibles	11
3.2	framing	12
3.3	wall mount installation	13
3.4	recessed installation	16
3.4.1	partially recessed installation	16
3.4.2	fully recessed installation	18
<b>4.0</b>	<b>electrical information</b>	<b>19</b>
4.1	hard-wiring installation	19
4.2	wiring diagram (NEFL36CFH)	20
4.3	wiring diagram (NEFL42CFH)	21
4.4	wiring diagram (NEFL50CFH)	22
4.5	wiring diagram (NEFL60CFH)	23
4.6	wiring diagram (NEFL72CFH)	24
4.7	wiring diagram (NEFL100CFH)	25
<b>5.0</b>	<b>finishing</b>	<b>26</b>
5.1	front glass removal / installation	26
5.2	crystal ember installation	26
<b>6.0</b>	<b>operating instructions</b>	<b>27</b>
6.1	main power button	27
6.2	operating touch panel and remote control	27
<b>7.0</b>	<b>maintenance</b>	<b>30</b>
7.1	remote battery installation	30
<b>8.0</b>	<b>replacement parts</b>	<b>31</b>
8.1	NEFL36/42/50/60/72/100CFH overview	32
<b>9.0</b>	<b>troubleshooting</b>	<b>34</b>
<b>10.0</b>	<b>warranty</b>	<b>36</b>
<b>11.0</b>	<b>notes</b>	<b>37</b>

**note:**

The information throughout this manual is believed to be correct at the time of printing. Wolf Steel Ltd. reserves the right to change or modify any information within this manual at any time without notice. Changes, other than editorial, are denoted by a vertical line in the margin.

1.1 dimensions



	NEFL36CFH	NEFL42CFH	NEFL50CFH	NEFL60CFH	NEFL72CFH	NEFL100CFH
<b>A</b>	32 1/16" (814mm)	37 13/16" (960mm)	45 13/16" (1163mm)	55 3/4" (1416mm)	67 3/4" (1721mm)	95 7/8" (2435mm)
<b>B</b>	36" (914mm)	41 3/4" (1060mm)	49 11/16" (1262mm)	59 11/16" (1516mm)	71 11/16" (1821mm)	99 3/4" (2533mm)
<b>C</b>	34 3/4" (882mm)	40 7/16" (1027mm)	48 7/16" (1230mm)	58 7/16" (1484mm)	70 7/16" (1789mm)	98 7/16" (2501mm)

# general information

## 1.2 rating plate information

The below illustration is for reference only. Refer to the appliance rating plate for accurate information.

CERTIFIED UNDER CANADIAN AND AMERICAN NATIONAL STANDARD: CSA 22.2 NO. 46 AND UL 2021 / HOMOLOGUÉ SELON LES NORMES NATIONALES CANADIENNES ET AMÉRICAINES: CSA 22.2 NO. 46 UL 2021  
ELECTRIC FIREPLACE. SUITABLE FOR BEDROOM AND BED-SITTING ROOM INSTALLATION. SUITABLE FOR MOBILE HOME INSTALLATION. FOYER À ÉLECTRIQUE. HOMOLOGUÉ POUR INSTALLATION DANS UNE CHAMBRE À COUCHER, UNE SALLE DE BAIN ET UN STUDIO. APPROPRIÉ POUR INSTALLATION DANS UNE MAISON MOBILE.

**CSA** **UL**  
MASTER CONTRACT: 161746  
CONTRAT-CADRE: 161746

NEFL36CFH       NEFL60CFH       CEFL36CFH       CEFL60CFH  
 NEFL42CFH       NEFL72CFH       CEFL42CFH       CEFL72CFH  
 NEFL50CFH       NEFL100CFH       CEFL50CFH       CEFL100CFH

**MODEL**

**VOLTAGE:** 120VAC      **TENSION:** 120VAC  
**FREQUENCY:** 60Hz      **FRÉQUENCE:** 60Hz  
**POWER:** 1465W      **PUISSANCE:** 1465W  
**DATE CODE:**      **CODE DE DATE:**

DESIGNED IN NORTH AMERICA      DÉSIGNÉ EN AMÉRIQUE DU NORD  
 BY WOLF STEEL LTD.      PAR WOLF STEEL LTÉE.  
 MADE IN CHINA      FABRIQUÉ EN CHINE

**WOLF STEEL LTD.**  
24 NAPOLEON ROAD,  
BARRIE, ON, L4M 0G8 CANADA

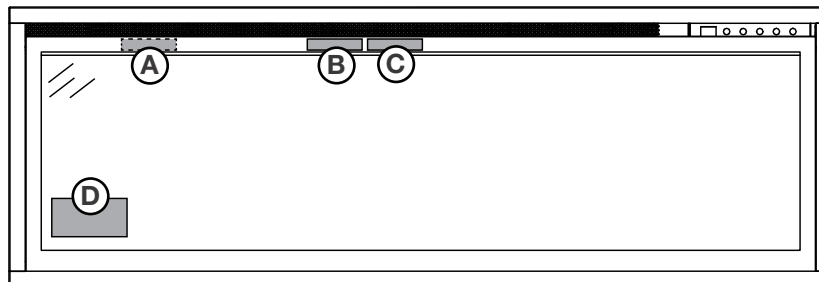
**SERIAL NUMBER/NO. DE SÉRIE:** NEFLXXCFH      W385-4523

### note:

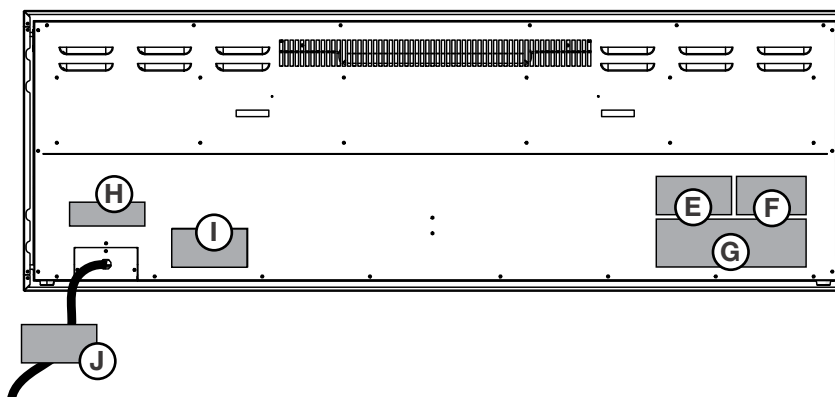
The rating plate must remain with the appliance at all times. It must not be removed.

## 1.3 label location

Front View



Back View



\* Label located behind glass

### note:

For illustrative purposes only.  
Label locations may vary.

Ref.	Part Number	Label Description
A *	-	Serial Number
B	W385-2210	"Do Not Cover"
C	W385-4486	"Hot Surface"
D	W385-1911	"Tempered Glass"
E	W385-4523	Rating Plate
F	W385-2167	Caution
G	W385-2163	Warning
H	W385-4524	NEFL36CFH Wiring Diagram
	W385-4525	NEFL42CFH Wiring Diagram
	W385-4526	NEFL50CFH Wiring Diagram
	W385-4527	NEFL60CFH Wiring Diagram
	W385-4528	NEFL72CFH Wiring Diagram
	W385-4529	NEFL100CFH Wiring Diagram
I	W385-4530	Hard-wiring Diagram
J	W385-1943	Warning

## 1.4 listing approvals

This appliance has been tested in accordance with the CSA Standards for fixed and location-dedicated electric room appliances in the United States and Canada. If you need assistance during installation, please contact your local dealer.

**note:**

This appliance must be electrically wired and grounded in accordance with local codes or, in the absence of local codes, with the latest edition of the National Electrical Code ANSI/NFPA 70 in the United States or the Canadian Electrical Code CSA C22.1 in Canada.

Model	NEFL36CFH	NEFL42CFH	NEFL50CFH	NEFL60CFH	NEFL72CFH	NEFL100CFH
<b>Description</b>	Electric Appliance					
<b>Type</b>	3 Way Mounting Appliance: Wall-Mount, Partially Recessed into Wall and Fully Recessed into Wall					
<b>Voltage</b>	120V AC					
<b>Watts</b>	MAX 1465W					
<b>Amps</b>	Dedicated 15 AMP Grounded Circuit					
<b>Appliance Width</b>	36" (914mm)	41 3/4" (1060mm)	49 11/16" (1262mm)	59 11/16" (1516mm)	71 11/16" (1821mm)	99 3/4" (2533mm)
<b>Appliance Height</b>	16 15/16" (430mm)					
<b>Appliance Depth</b>	5 7/16" (139mm)					
<b>Net Weight</b>	36.6lbs (16.6kg)	40.6lbs (18.4kg)	47.0lbs (21.3kg)	55.1lbs (25.0kg)	69.4lbs (31.5kg)	94.8lbs (43.0kg)
<b>Gross Weight</b>	45.2lbs (20.5kg)	50.3lbs (22.8kg)	56.9lbs (25.8kg)	71.7lbs (32.5kg)	88.2lbs (40.0kg)	125.7lbs (57.0kg)

## 1.5 general instructions

### WARNING

- Read these instructions completely before beginning installation. Failure to follow them could cause an appliance malfunction resulting in serious injury and/or property damage.
- All electric appliances have hot and arcing or sparking parts inside. Do not use it in areas where gasoline, paint, or flammable liquids are present.
- This electric appliance is tested and listed for use only with the optional accessories listed in these instructions. Use of optional accessories not specifically tested for this electric appliance could void the warranty and/or result in a safety hazard.
- Do not open. Risk of electric shock. No user-serviceable parts inside.
- Do not use damaged electrical cords.
- Servicing should be done only while the appliance is disconnected from the power supply circuit.
- To prevent electric shock, match the wide blade of plug to wide slot of receptacle and fully insert.

- Prior to plugging your appliance into an electrical outlet, verify that the house circuit breakers for the outlet are on.
- The appliance may emit a slight, harmless odour when first used. This odour is normal and it is caused by the initial heating of internal appliance elements and will not occur again.
- If your appliance does not emit heat when called for, consult the “operation” section of this manual for further information.
- Use with a CSA or UL certified surge protector.
- Do not route the power cord directly underneath the appliance.

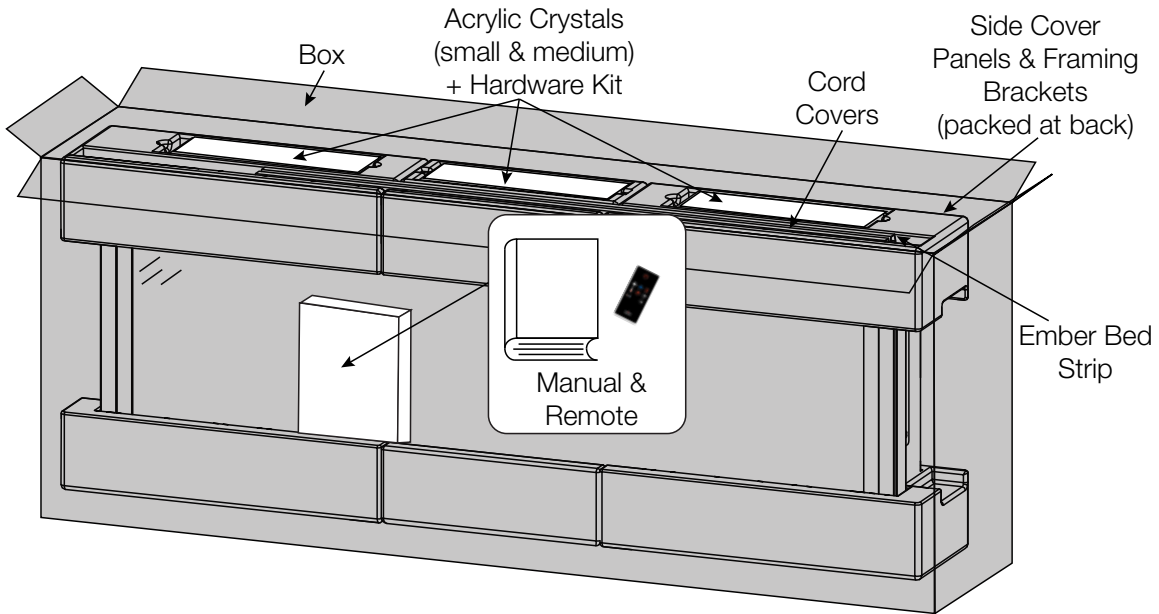
This electric appliance meets the construction and safety standards of H.U.D. for application in manufactured homes when installed according to these instructions.

**As with most electronic devices, your new electric appliance has been designed to operate at temperatures between 5°C (41°F) and 35° C (95°F). During the colder winter months, allow the appliance to reach room temperature before turning it on.**

# general information

## 1.6 unpacking and testing the appliance

Carefully remove the appliance from the box and remove the support brackets. Prior to installing the appliance, remove all packaging material and test to make sure the appliance operates properly by plugging the power supply cord into a conveniently located 120V, 15 amp minimum grounded outlet.



## 1.7 hardware list

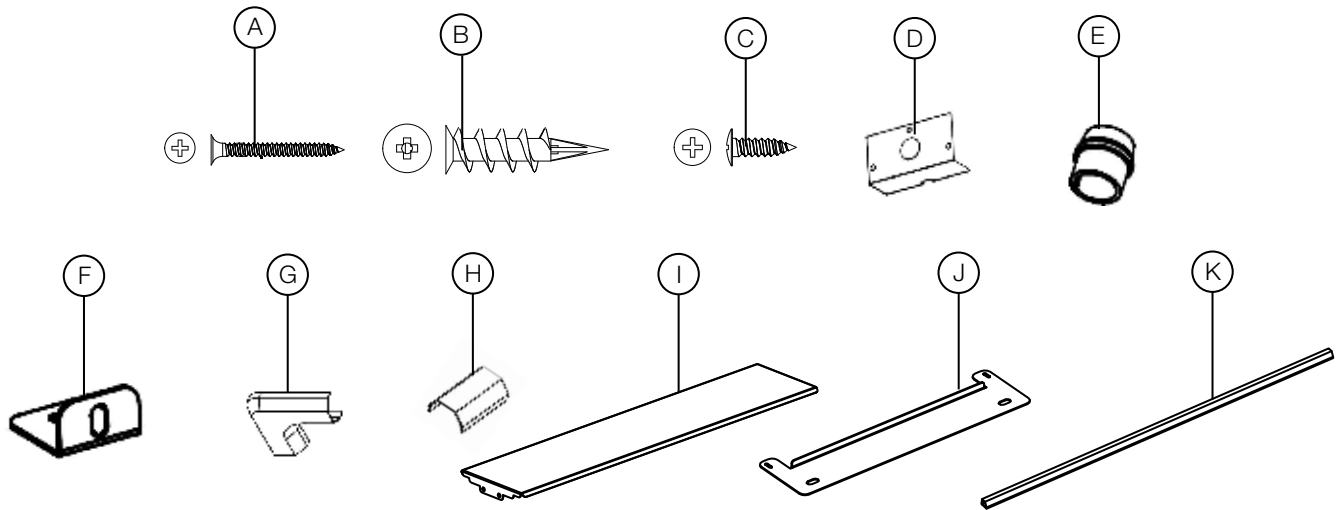


Illustration is not to scale.

Ref.	Description	Quantity					
		NEFL36CFH	NEFL42CFH	NEFL50CFH	NEFL60CFH	NEFL72CFH	NEFL100CFH
A	Wood Screws		7			9	17
B	Drywall Anchors		7			9	17
C	Metal Screws (ST4x12)			8			
D	Cover Plate			1			
E	Strain Relief			1			
F	Metal Bracket			1			
G	Cord Corner			2			
H	Cord Cover Connector			2			
I	Side Cover Panel			2			
J	Framing Bracket			2			
K	Cord Cover			2			



**! WARNING**

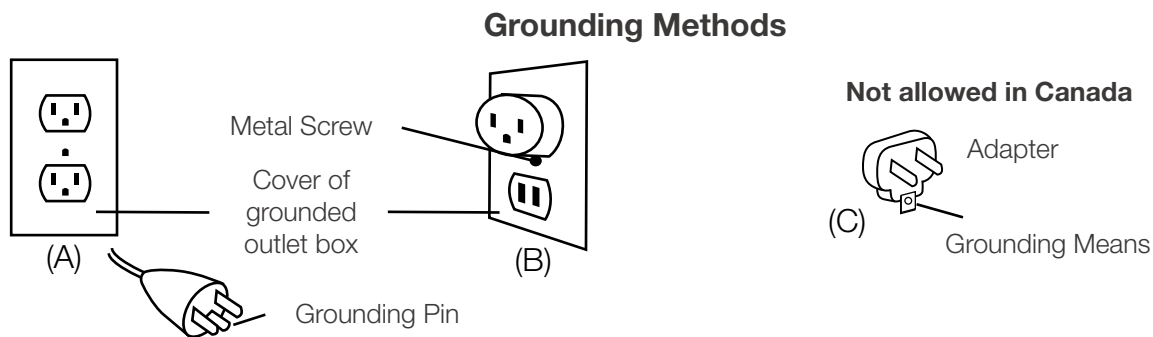
- Due to high temperatures, this electric appliance should be located out of traffic. Keep combustible materials such as furniture, pillows, bedding, papers, clothes, curtains, and similar items at least 36" from the front of the appliance.
- Never located this electric appliance where it may fall into a bathtub or other water container.
- Wear safety gloves and safety glasses for protection during installation and maintenance.
- To prevent contact with sagging or loose insulation, the electric appliance must not be installed against vapor barrier or exposed insulation. Localized overheating could occur and fire could result.
- Do not expose the electric appliance to the elements (such as rain, etc.)

**2.1 grounding the appliance**

This appliance is for use on 120 volts. The cord has a plug as shown in (A). An adapter as shown in (C) is available for connecting three-blade grounding type plugs to two-slot receptacles, as shown in (B).

The green grounding plug extending from the adapter must be connected to a permanent ground such as a properly grounded outlet box. The adapter should not be used if a three-slot grounded receptacle is available.

To disconnect appliance, turn controls to off, then remove plug from outlet.

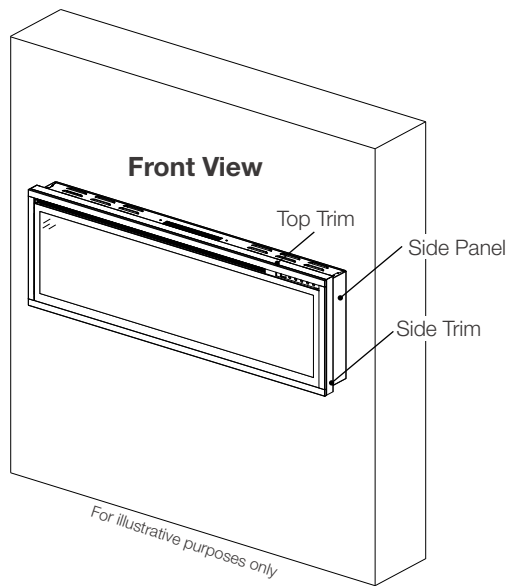
**note:**

The appliance must be connected to a dedicated 15 amp circuit. The use of an extension cord is NOT permitted.

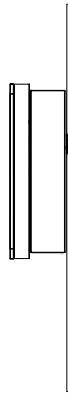
# appliance placement

## 2.2 installation overview

Your appliance is capable of three unique installation configurations: wall-mounted, partially recessed into the wall, and fully recessed into the wall. See below for details:

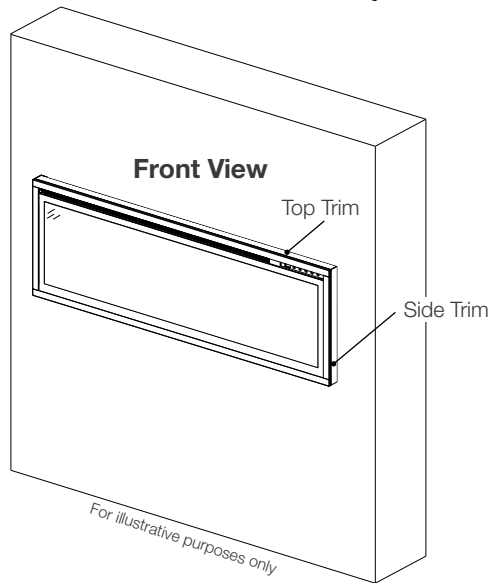


Side View



### Wall-Mounted Installation

- Mounted to the wall
- Side and top trims installed
- Side panels installed

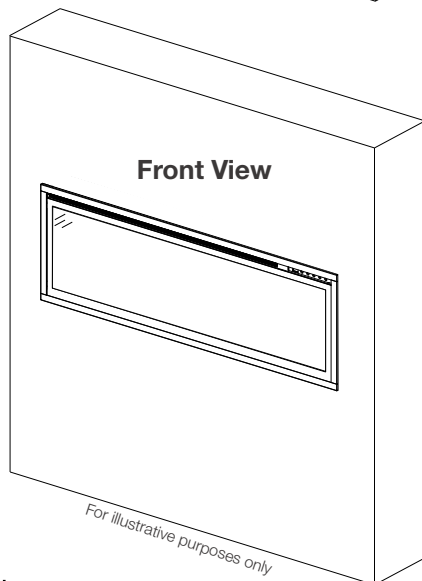


Side View

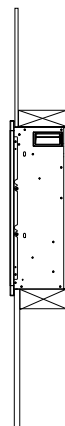


### Partially-Recessed Installation

- Partially recessed into the wall
- Side and top trims installed
- Side panels **not** installed
- Wall mount bracket(s) **not** installed



Side View



### Fully-Recessed Installation

- Fully recessed into the wall
- Side and top trims **not** installed
- Side panels **not** installed
- Wall mount bracket(s) **not** installed

**! WARNING**

- Risk of fire! The power cord must not be pinched against a sharp edge. Secure cord to avoid tripping or snagging to reduce the risk of fire, electric shock, or personal injury. Do not run cord under carpeting. Do not cover cord with throw rugs, runners, or similar items. Arrange cord away from traffic areas and where it will not be tripped over.
- Risk of fire! To prevent a possible fire, do not block air intake or exhaust in any manner. Do not use on soft surfaces where openings may become blocked.
- Risk of fire! Do not blow or place insulation against the appliance.
- This electric appliance is tested and listed for use only with the approved optional accessories. Use of optional accessories not specifically tested for this electric appliance could void the warranty and/or result in a safety hazard.
- If the information in these instructions is not followed exactly, a fire or explosion may result causing property damage, personal injury, or death. Do not store or use gasoline or other flammable vapors in the vicinity of this or any other appliance.
- This appliance is heavy. It is highly recommended that two people install this appliance.
- If your appliance is equipped with a heater, ensure the heater vents cannot, in any way, be covered as it may create a fire hazard.
- Do not run the power cord horizontally, directly below the appliance.

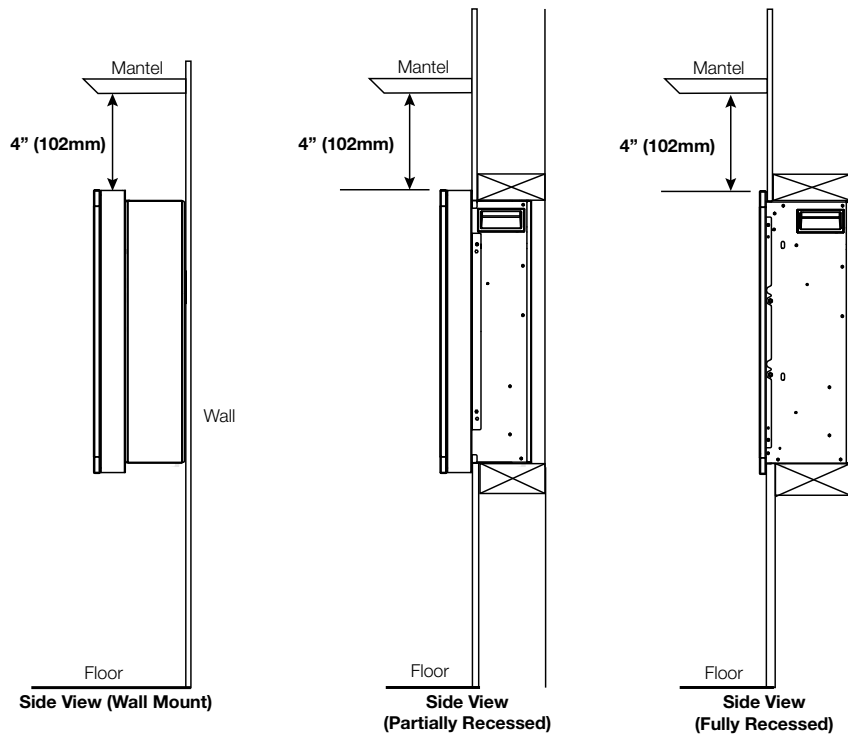
Your NEFL36/42/50/60/72/100CFH appliance can be wall-mounted, partially recessed and/or full recessed into the wall. Select a suitable location that is not susceptible to moisture and is away from drapes, furniture and high traffic areas.

**note:**  
Follow all national and local electrical codes.

**3.1 minimum clearance to combustibles**

**! WARNING**

- When using paint or lacquer to finish a mantel, the paint or lacquer must be heat resistant to prevent discoloration.

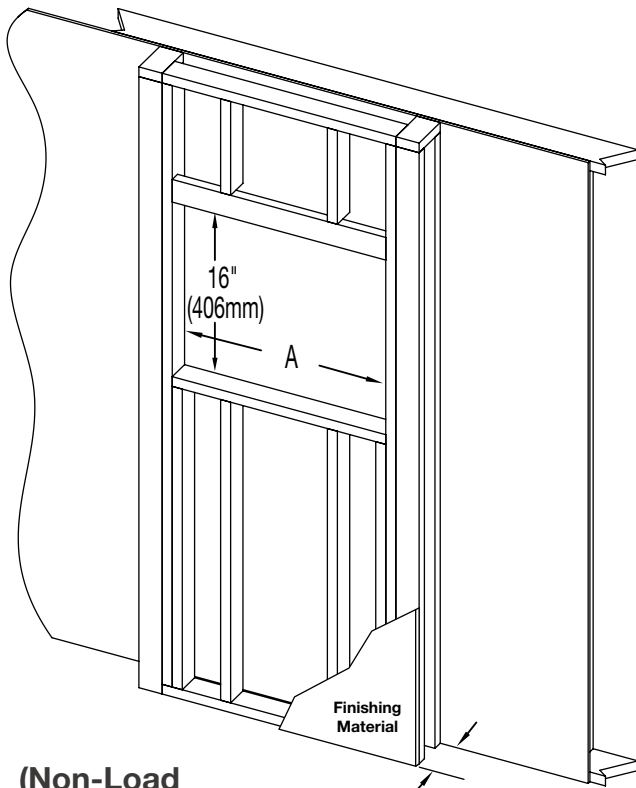


Measurements are taken from trim	
Bottom	0"
Sides	0"
Back	0"
Top	4" (102mm) to ceiling
	4" (102mm) to mantel

# installation

## 3.2 framing

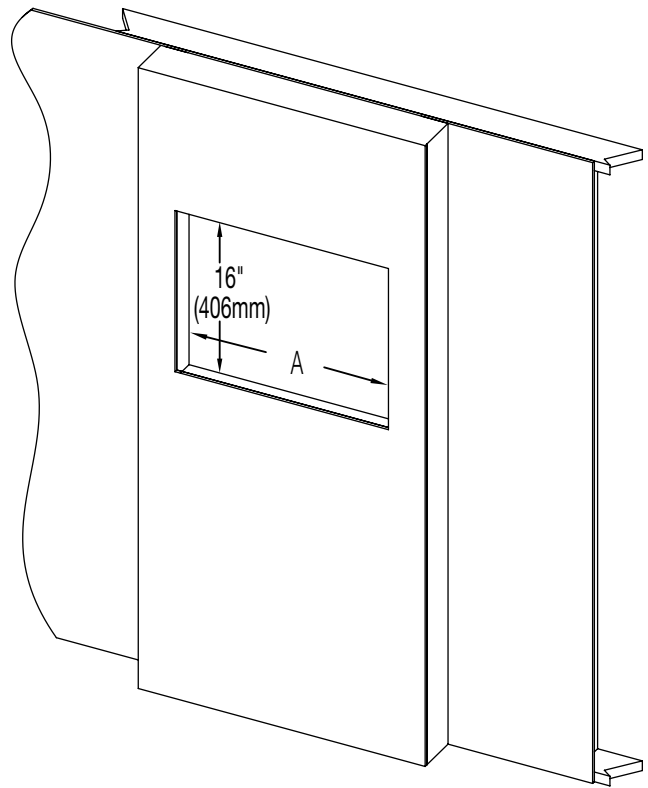
### Finishing Material



**(Non-Load Bearing)**

4" (102mm) minimum (partially recessed)

6" (152mm) minimum \* (fully recessed)



MODEL NO.	A
NEFL36CFH	35 1/8" (892mm)
NEFL42CFH	40 7/8" (1038mm)
NEFL50CFH	48 7/8" (1241mm)
NEFL60CFH	58 7/8" (1495mm)
NEFL72CFH	70 7/8" (1800mm)
NEFL100CFH	98 7/8" (2511mm)

\* Including finishing materials.

### 3.3 wall mount installation

Due to the many different materials used on different walls, it is highly recommended that you consult your local builder before you install this appliance on the wall.

- A. Select a location that is not prone to moisture and is located at least 36" (91.4cm) away from combustible materials such as curtains, drapes, furniture, bedding, paper, etc.
- B. Remove the front glass (see "front glass removal / installation" section).
- C. Have two people hold the appliance against the wall to determine the final location.
- D. Place the appliance face down on a soft, non-abrasive surface. Remove the bracket from the back of the appliance by removing the screws (**Fig. 3-1**). Set the bracket aside and discard the screws.

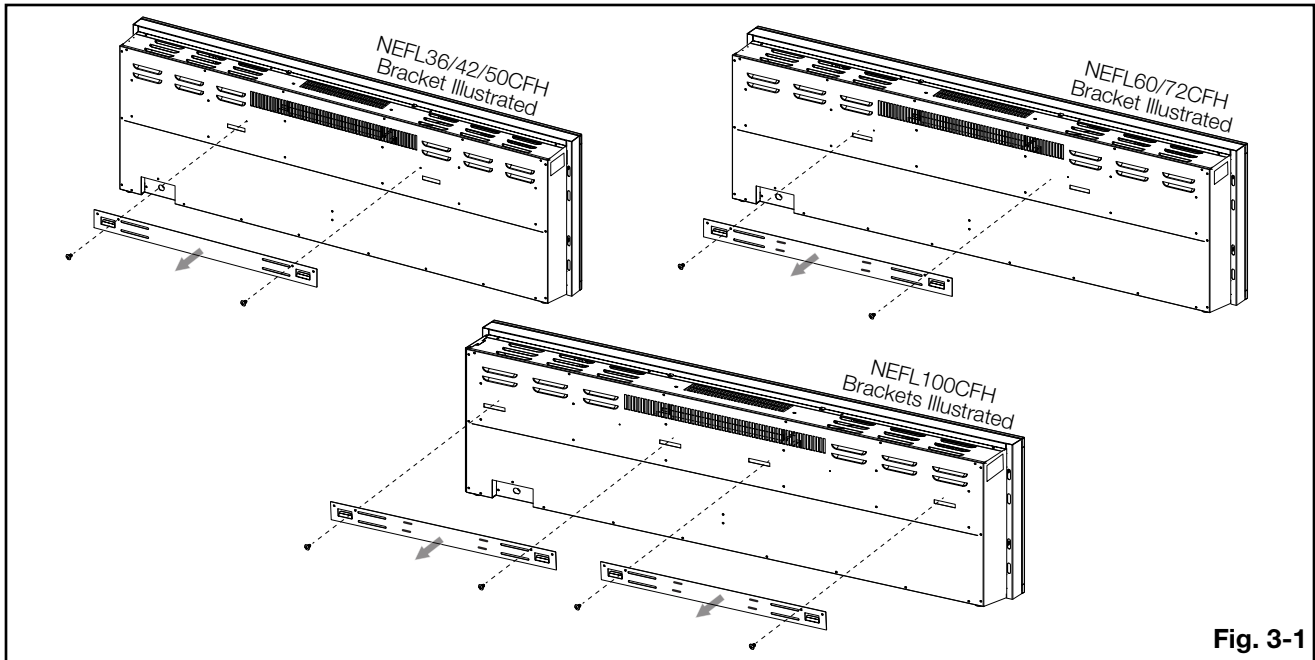




Fig. 3-1

- E. Mark out location, then mount the bracket onto the wall using screws (supplied). This bracket **MUST** have the hooks facing upwards and be level (**Fig. 3-2i and Fig. 3-2ii, next page**).

+		<b>A x 6 for NEFL36/42/50CFH</b>	<b>A x 8 for NEFL60/72CFH</b>	<b>A x 16 for NEFL100CFH</b>
+		<b>B x 6 for NEFL36/42/50CFH</b>	<b>B x 8 for NEFL60/72CFH</b>	<b>B x 16 for NEFL100CFH</b>

**note:**

It is strongly recommended that the mounting bracket be screwed into the wall studs where possible. If the wall studs cannot be used, ensure that the supplied plastic anchors are used to affix the bracket to the wall and the bracket is adequately secured.

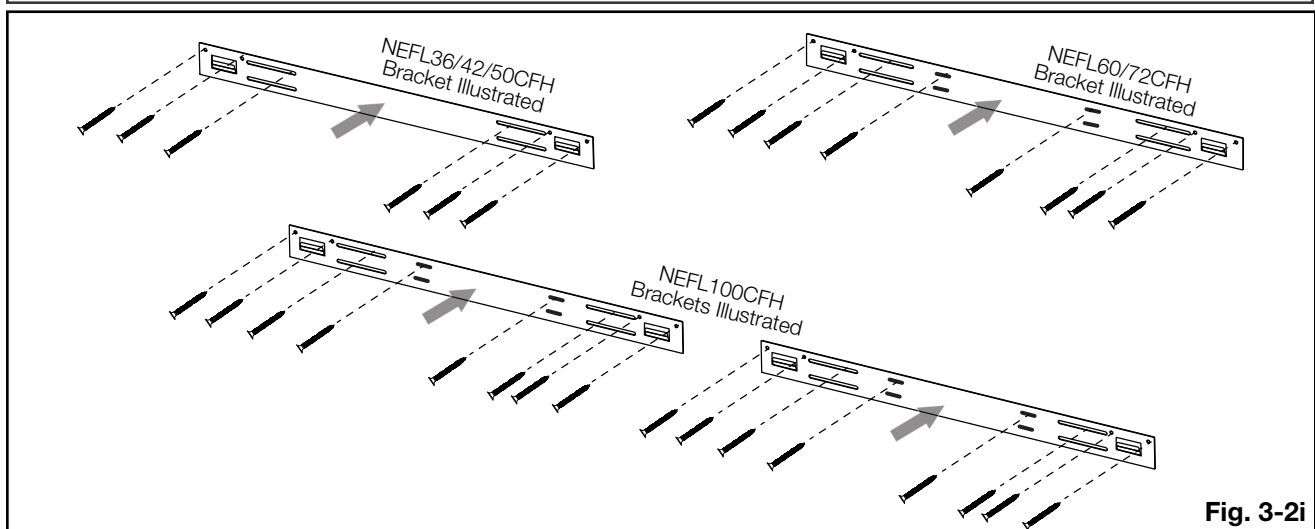
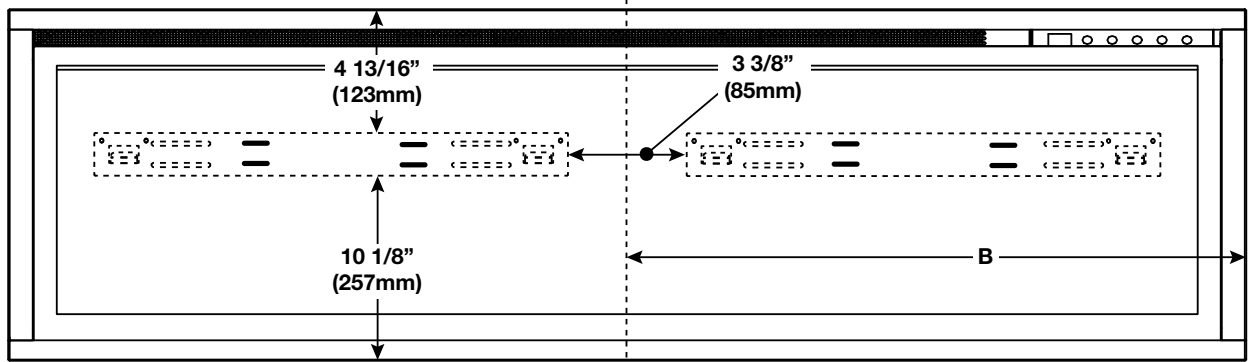
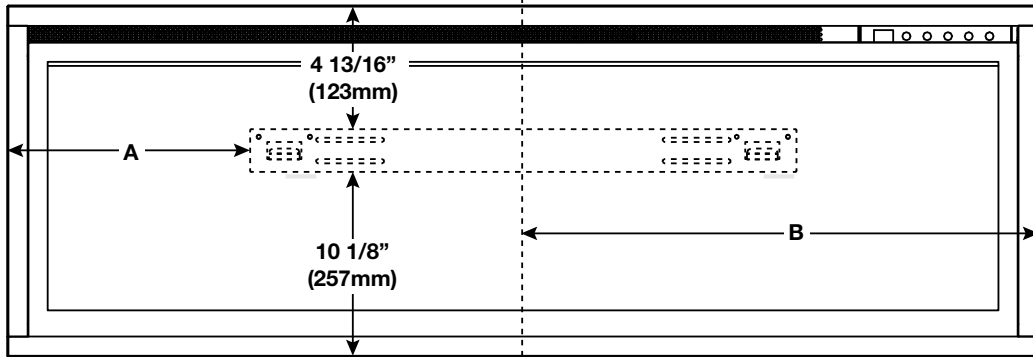


Fig. 3-2i



NEFL100CFH bracket illustrated. Installation may vary by appliance size.

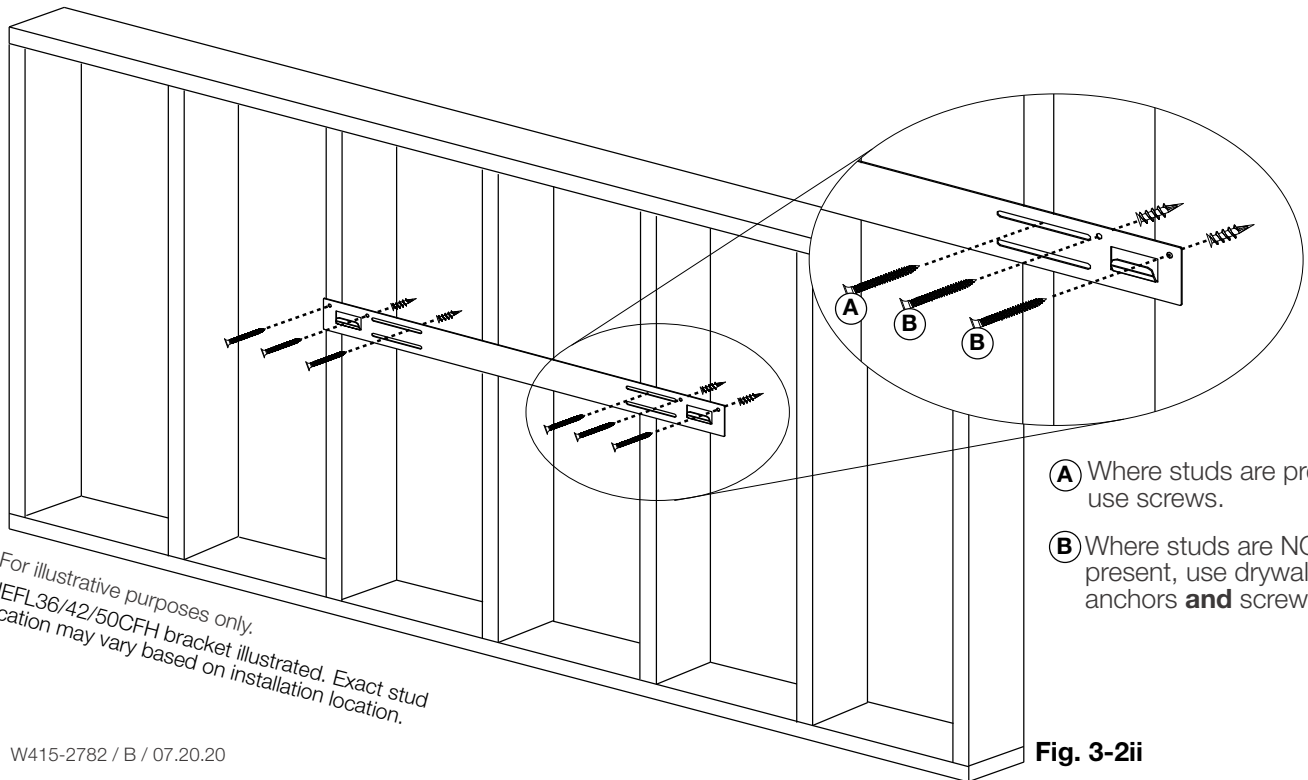
Centre



NEFL36/42/50CFH bracket illustrated. Installation may vary by appliance size.

Centre

Ref.	NEFL36CFH	NEFL42CFH	NEFL50CFH	NEFL60CFH	NEFL72CFH	NEFL100CFH
<b>A</b>	5 3/8" (137mm)	8 1/4" (210mm)	12 1/4" (311mm)	8 3/4" (223mm)	14 3/4" (375mm)	6" (153mm)
<b>B</b>	18" (457mm)	20 7/8" (530mm)	24 13/16" (631mm)	14 3/4" (758mm)	35 7/8" (911mm)	49 13/16" (126mm)

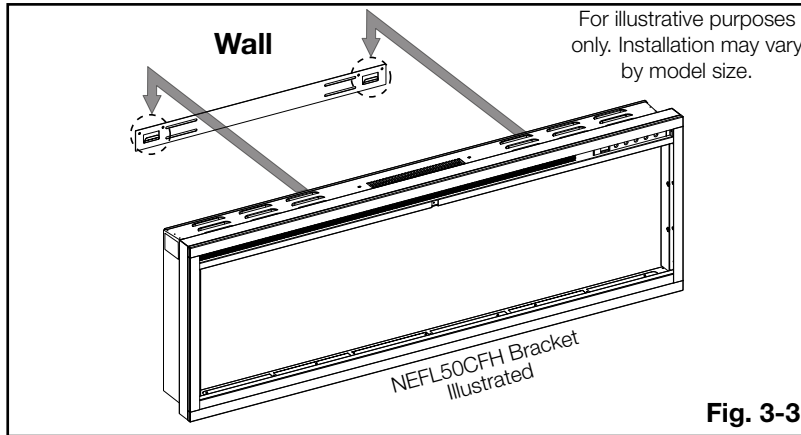


- A** Where studs are present, use screws.
- B** Where studs are NOT present, use drywall anchors **and** screws.

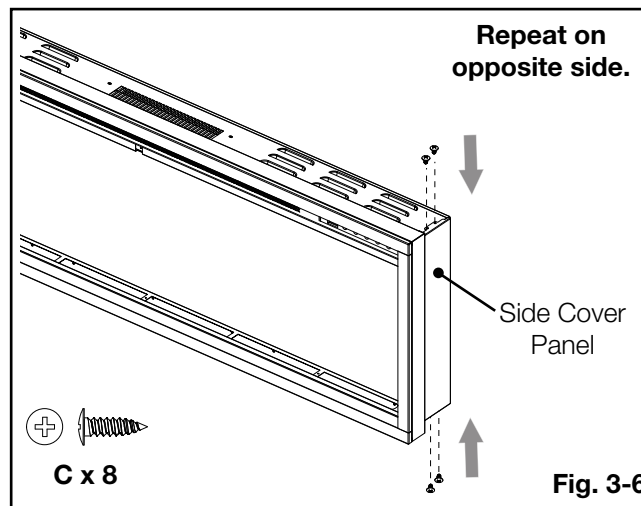
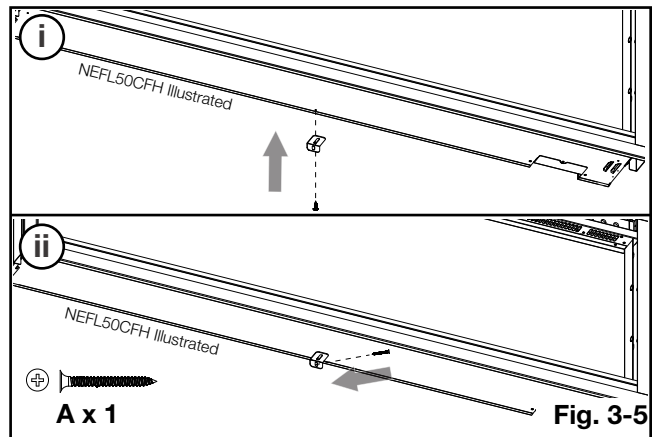
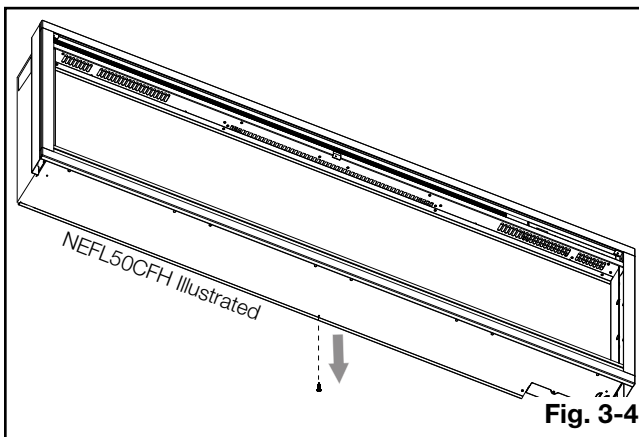
Fig. 3-2ii

For illustrative purposes only.  
NEFL36/42/50CFH bracket illustrated. Exact stud location may vary based on installation location.

- F. With the wall mounting bracket installed, have two people lift the appliance up and insert the hooks on the bracket into the slots on the back of the appliance (**Fig. 3-3**).



- G. Check the appliance for stability, ensuring the bracket will not pull free from the wall.
- H. Remove the white screw from the bottom of the appliance (**Fig. 3-4**).
- I. Secure the bottom bracket to the appliance using the white screw previously removed in step H, then secure the bottom bracket to the wall using the screw supplied (**Fig. 3-5**).
- J. If desired, install the side cover panels to hide sides of the appliance (**Fig. 3-6**).



- K. Install media (see “crystal ember installation” section).
- L. Reinstall front glass (see “front glass removal / installation” section).

# installation

## 3.4 recessed installation

Due to the many different materials used on different walls, it is highly recommended that you consult your local builder before you install this appliance on the wall.

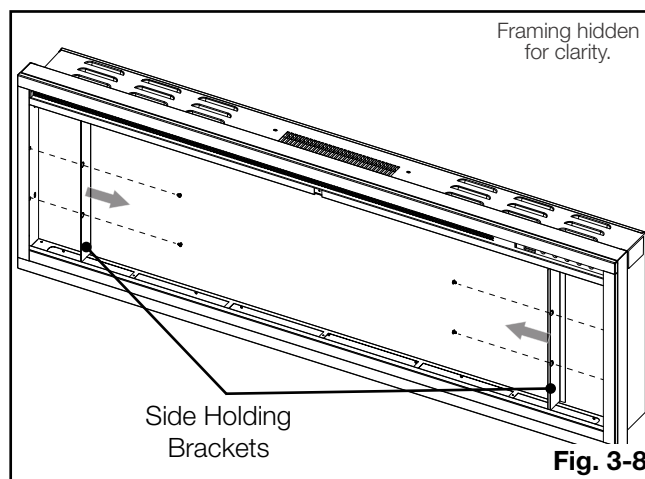
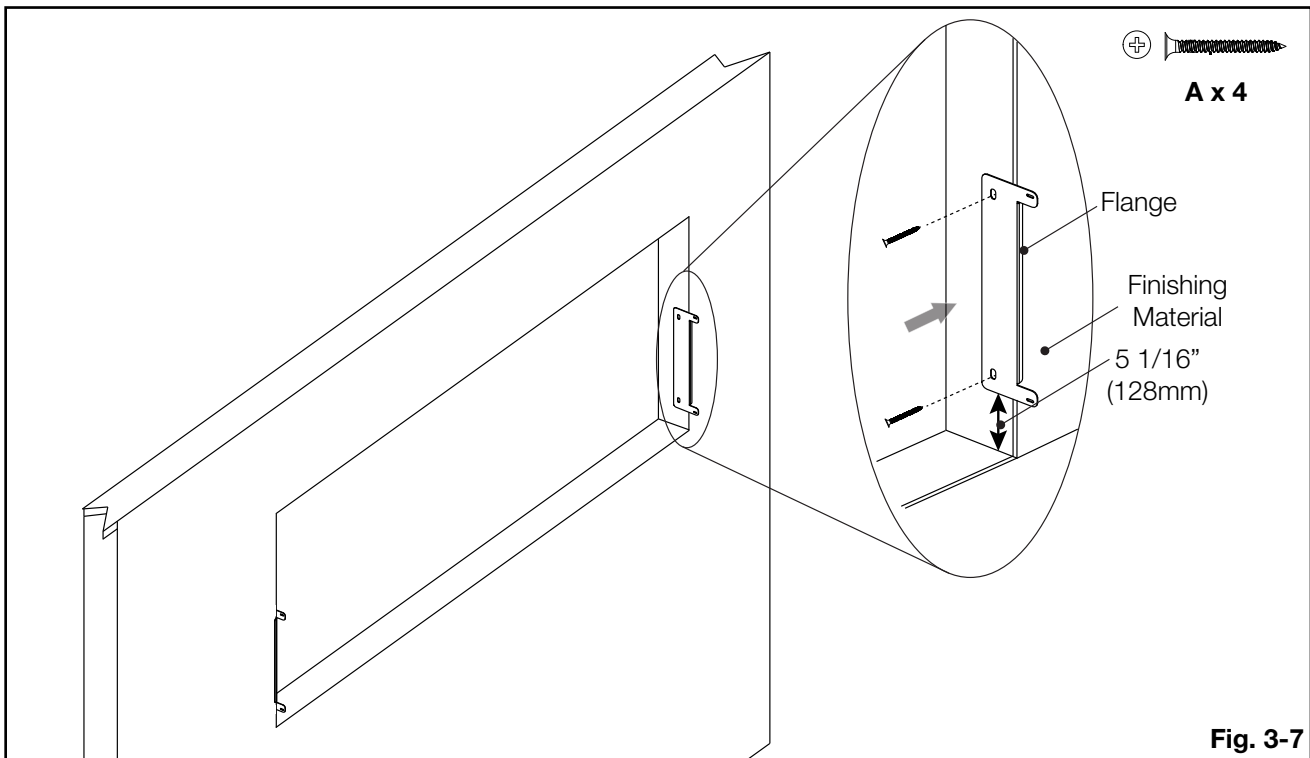
### note:

It is recommended the walls of the appliance enclosure be finished (i.e. drywall) to avoid exposed insulation or vapour barrier coming in contact with the appliance. This will ensure clearance to combustibles is maintained.

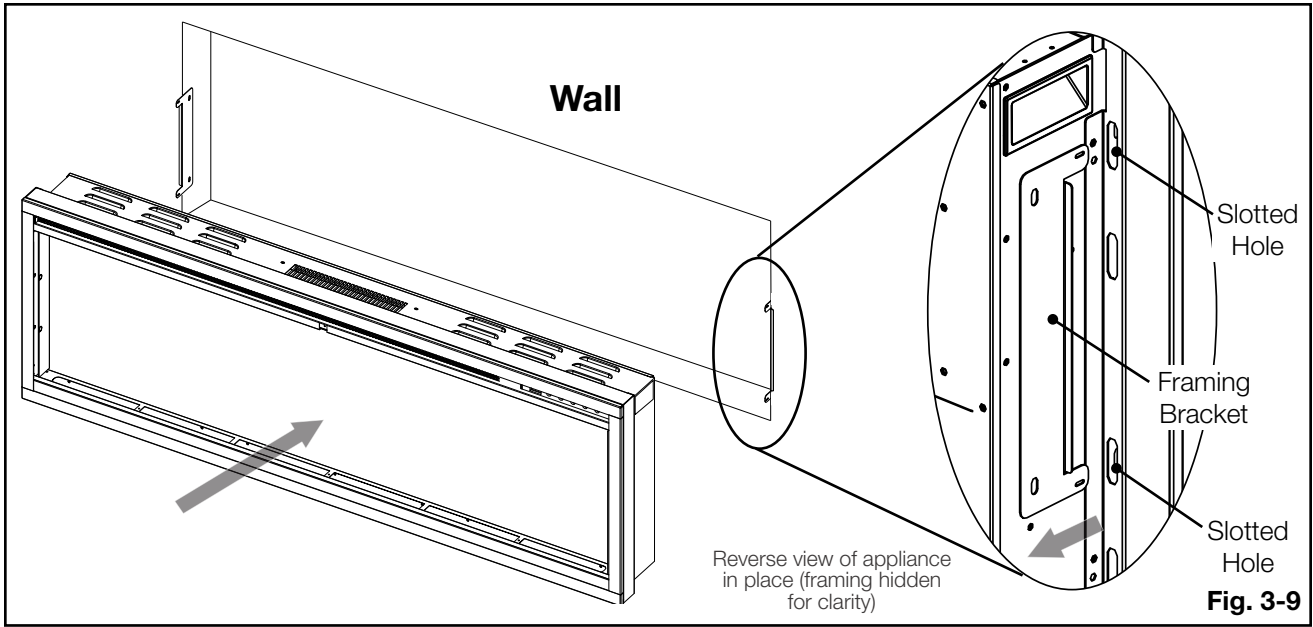
- A. Select a location that is not prone to moisture and is located at least 36" (94.1cm) away from combustible materials such as curtain drapes, furniture, bedding, paper, etc.
- B. Refer to framing dimensions and create a rough-in frame with electrical supply (see "framing" section).
- C. Remove wall mount bracket(s).
- D. Remove the front glass (see "front glass removal" section).
- E. Hold the appliance up to ensure it will fit into the frame.

### 3.4.1 partially recessed installation

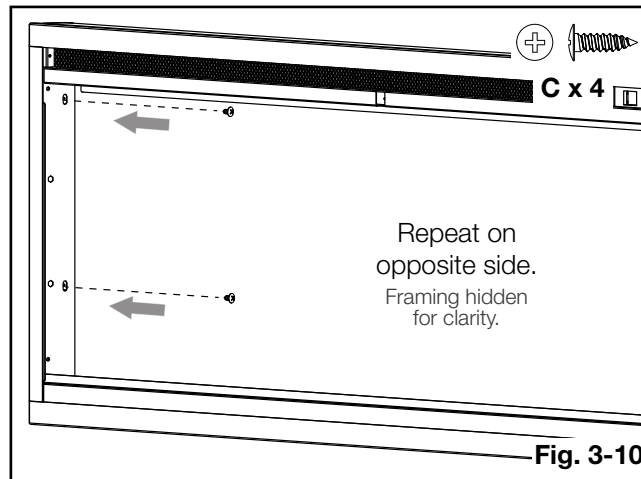
- A. Install the framing brackets by aligning the flange on the finishing material, and 5 1/16" (128mm) from the bottom of the framing opening (**Fig. 3-7**).
- B. Remove the side holding brackets by removing the screws from inside the appliance (**Fig. 3-8**).
- C. Remove the power cord and complete hardwiring (see "hardwiring installation" section).







- D. Insert the appliance into the rough framing, and make sure the framing brackets fit into the slotted holes of the side trim (**Fig. 3-9**).
- E. Secure two screws (supplied) through the two slot holes on each side of the appliance with the framing brackets (**Fig. 3-10**).

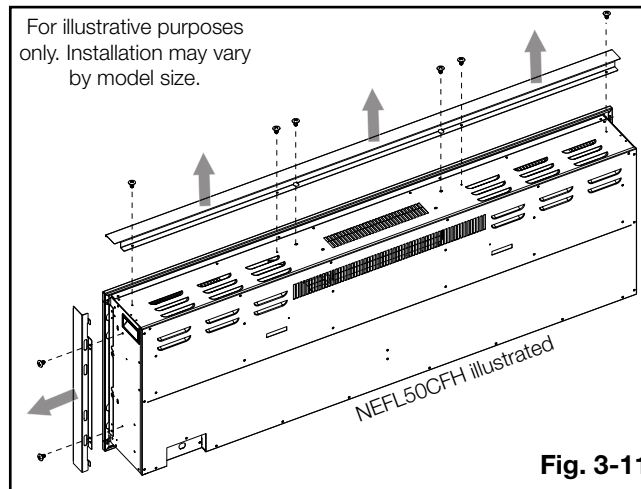


- F. Reinstall the side holding brackets previously removed in step B.
- G. Install media (see “crystal ember installation” section).
- H. Reinstall front glass (see “front glass removal / installation” section).

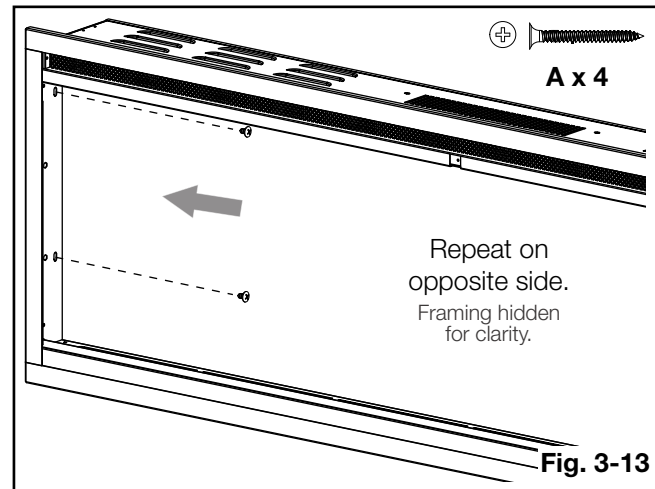
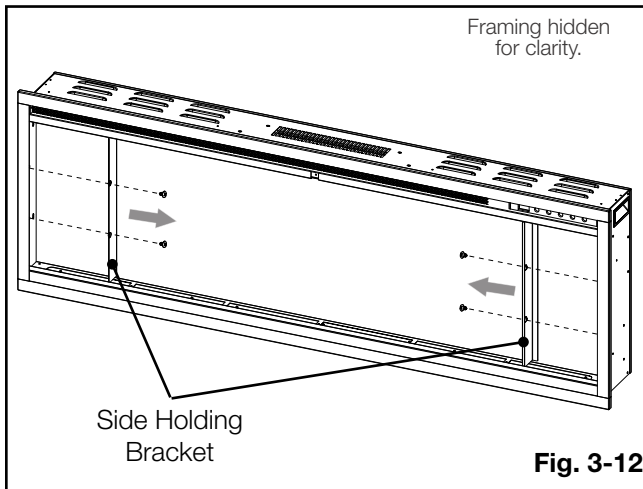
# installation

## 3.4.2 fully recessed installation

- A. Remove side trims and top trims (**Fig. 3-11**).
- B. Remove the power cord and complete hardwiring (see “hardwiring installation” section).



- C. Remove side holding brackets by removing the screws from inside the appliance (**Fig. 3-12**). Reinstall the screws after removing from outer trim,
- D. Insert the appliance into the rough framing.
- E. Secure two screws (supplied) to the stud through the two slot holes from each side of the appliance (**Fig. 3-13**).



- F. Reinstall side holding brackets.
- G. Install media (see “crystal ember installation” section).
- H. Reinstall front glass (see “glass removal / installation” section).

## 4.1 hard-wiring installation

### **! WARNING**

- Turn off the appliance completely and let it cool down before servicing. Only a qualified service person should service and repair this electric appliance.

#### Hard-Wiring Connection

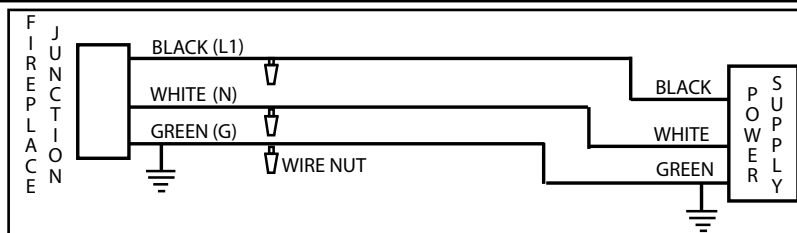
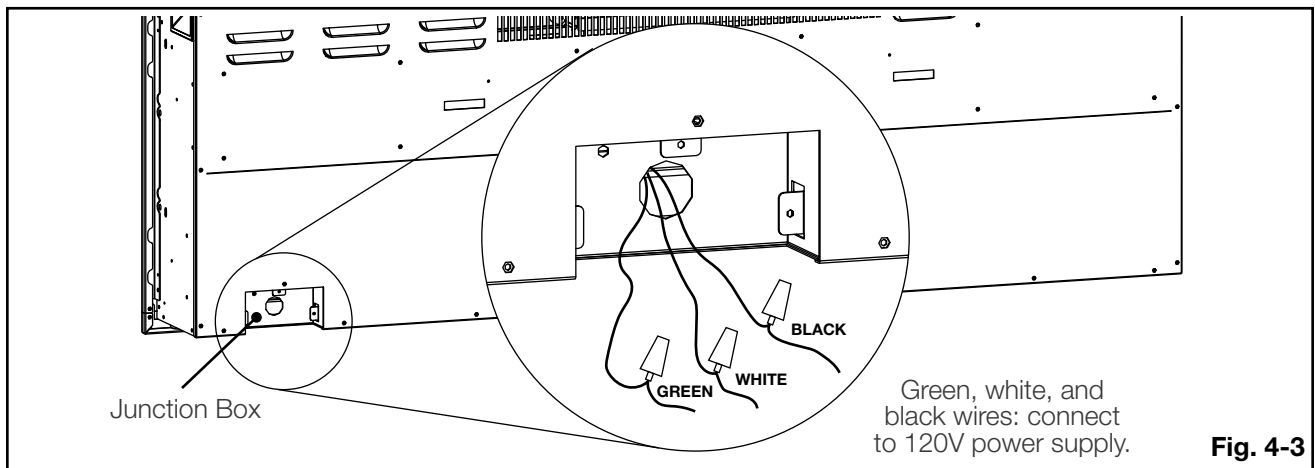
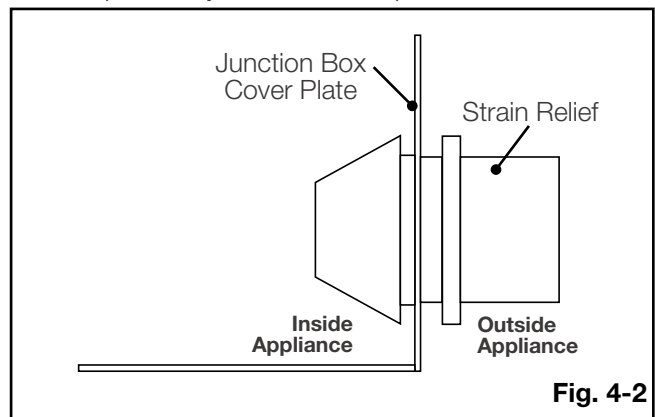
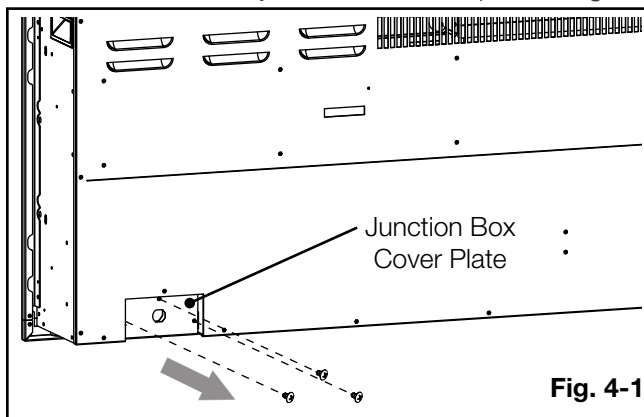
If it is necessary to hard-wire this appliance, a qualified electrician must remove the cord connection and wire the appliance directly to the household wiring. The dedicated circuit and power supply breaker must be rated for 120V, minimum 15 amps.

The appliance must be electrically connected and grounded in accordance with local codes. In the absence of local codes, use the current CSA C22.1 Canadian Electrical Code in Canada or the current ANSI/NFPA 70 National Electrical Code in the United States.

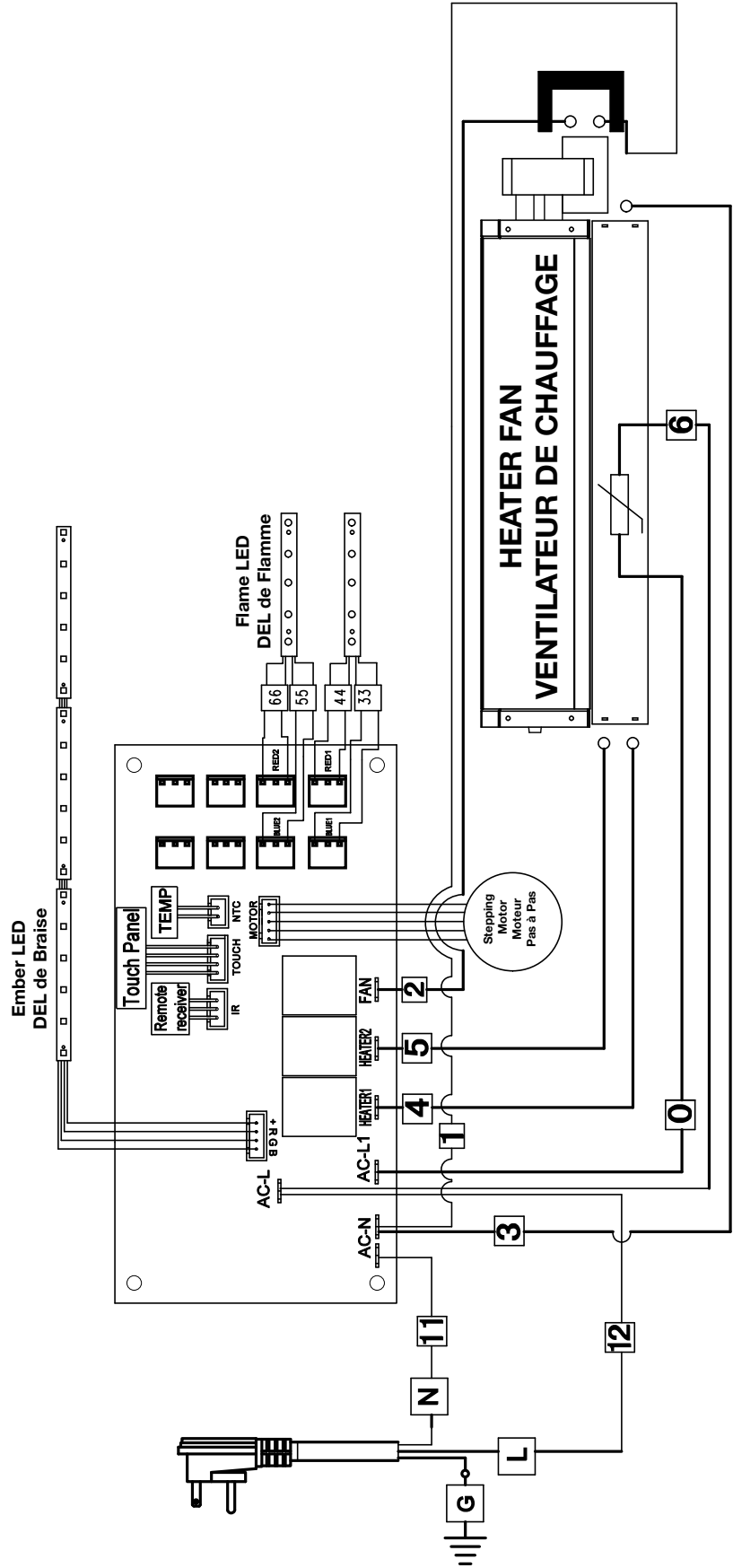
#### note:

There are 3 wires from the appliance junction: white (neutral), black (power L1), and green (ground) that connect to 120V power supply (break panel). See below.

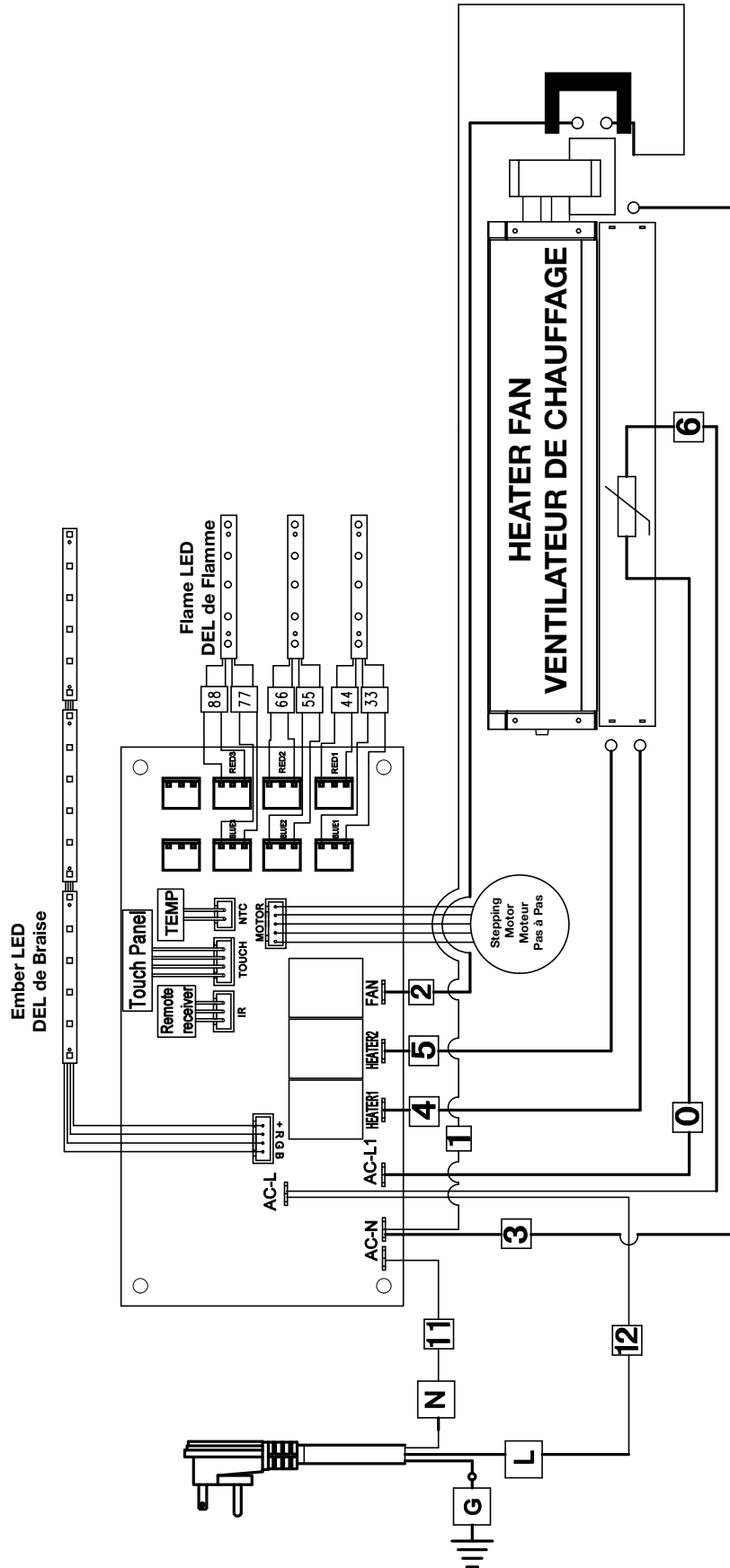
- Remove the 3 securing screws from the junction box cover plate, located on the bottom left hand side of the appliance (**Fig. 4-1**).
- Install the strain relief to the junction box cover plate (located in hardware bag) (**Fig. 4-2**).
- Separate the black, white, and green wires that have the wire nuts on them.
- Remove all the wire nuts. Connect the green wire (G) to the supply ground wire, the white wire (N) to the supply Neutral wire, and the black wire (L) to the supply L1 wire. (**Fig. 4-3**).
- Resecure the junction box cover plate using the 3 screws previously removed in step A.



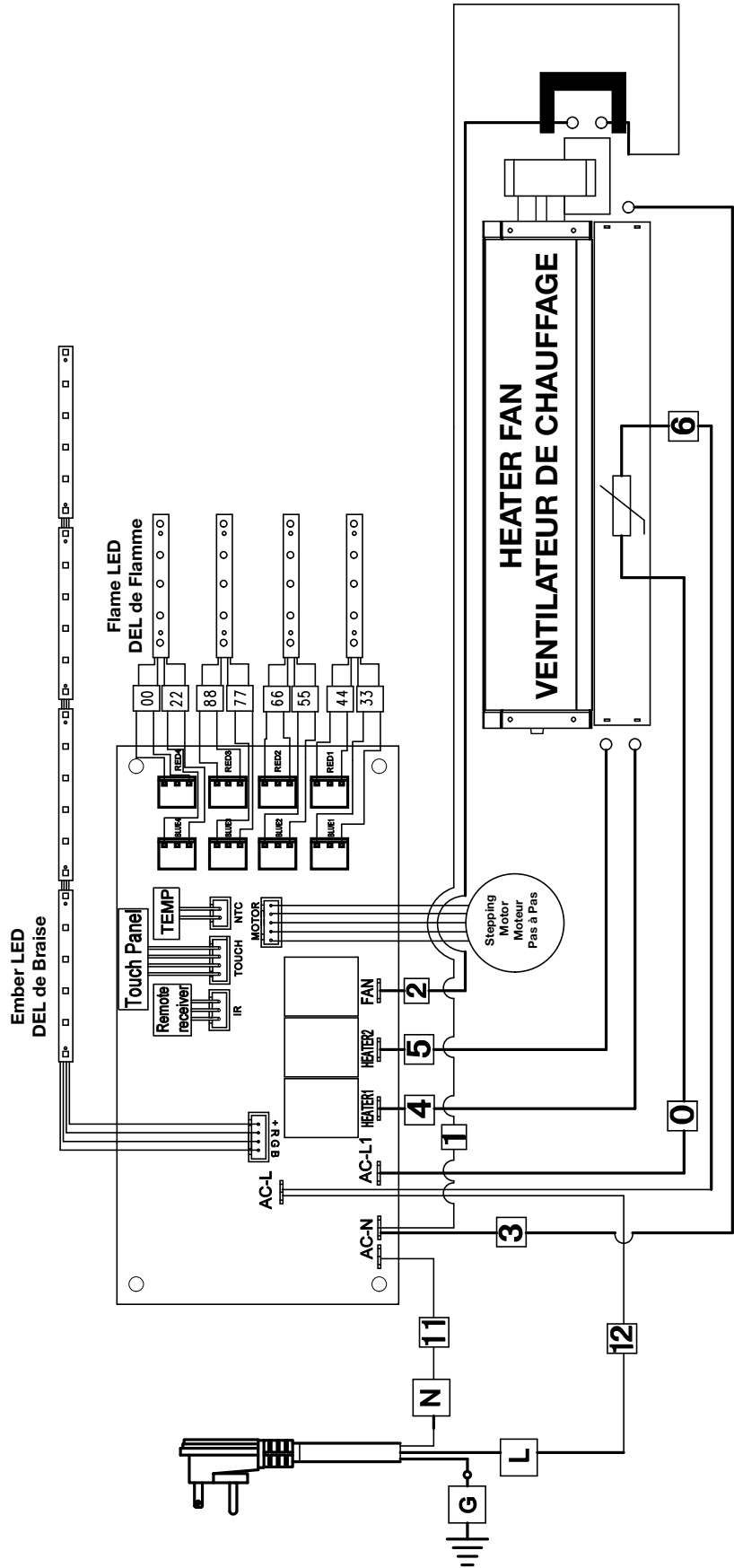
4.2 wiring diagram (NEFL36CFH)



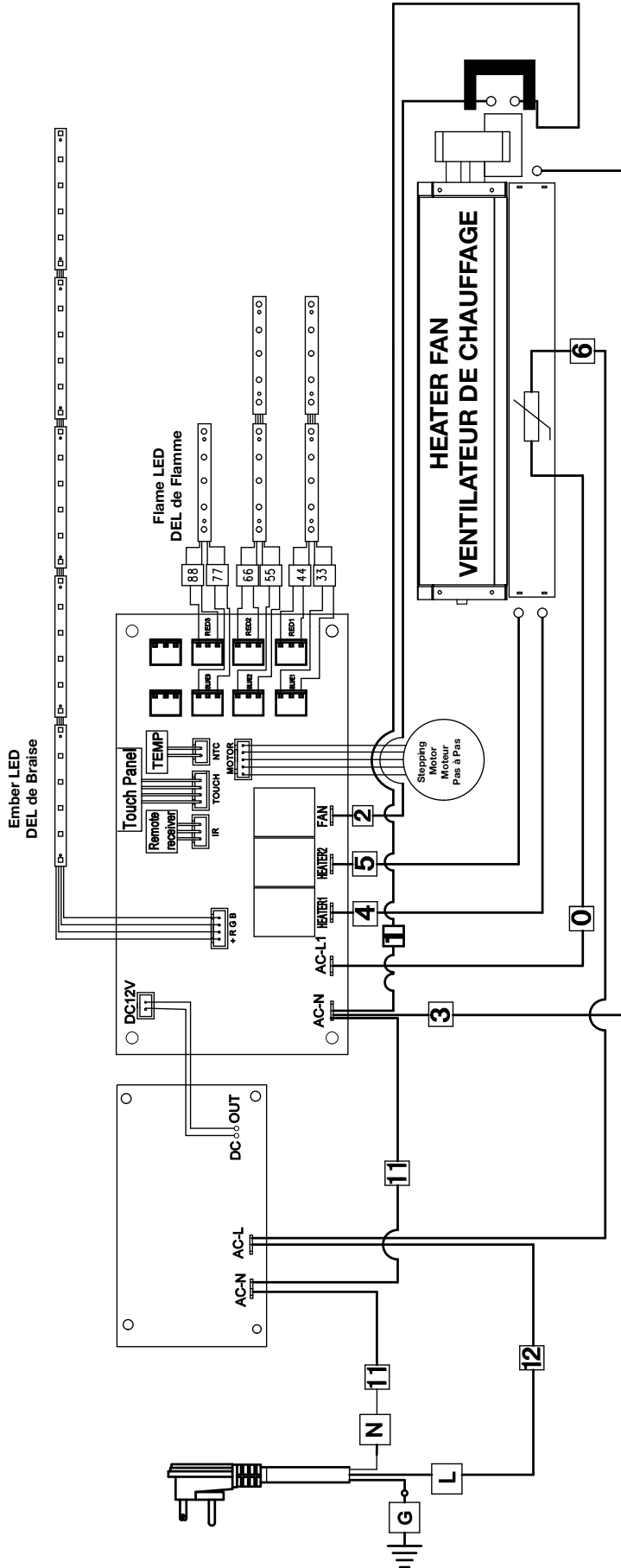
4.3 wiring diagram (NEFL42CFH)



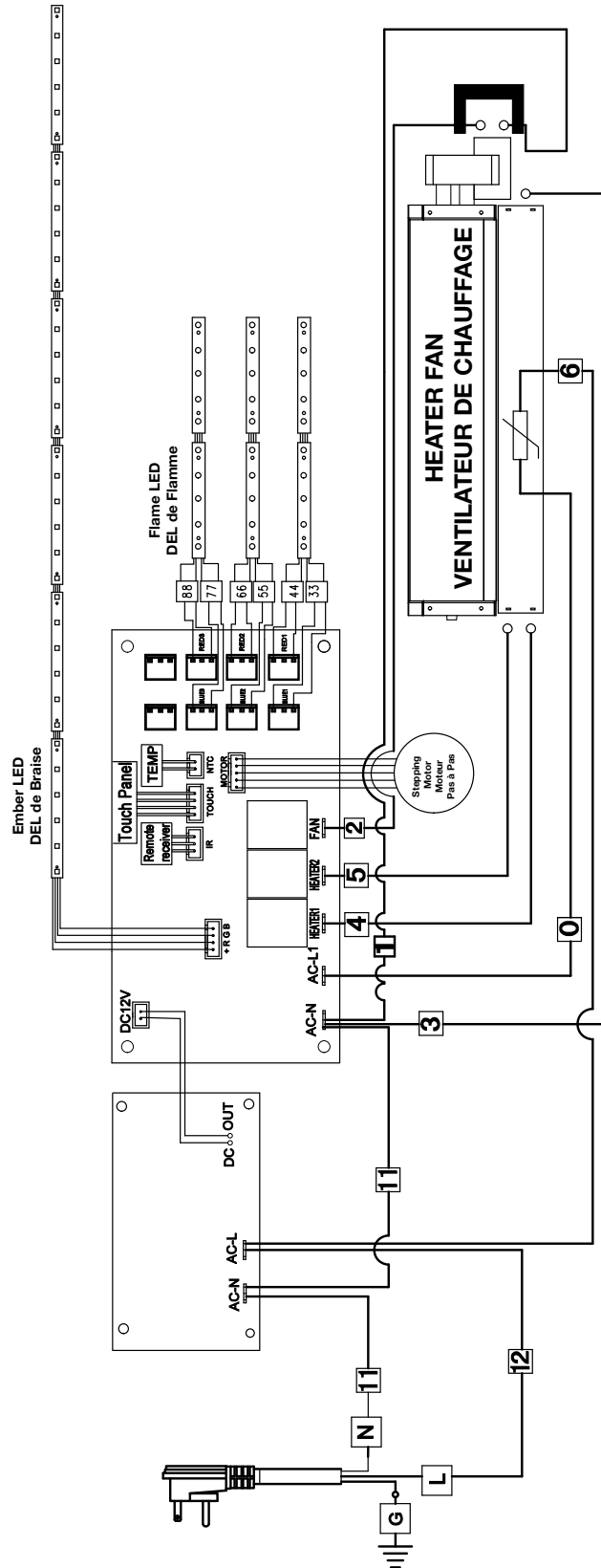
4.4 wiring diagram (NEFL50CFH)



4.5 wiring diagram (NEFL60CFH)

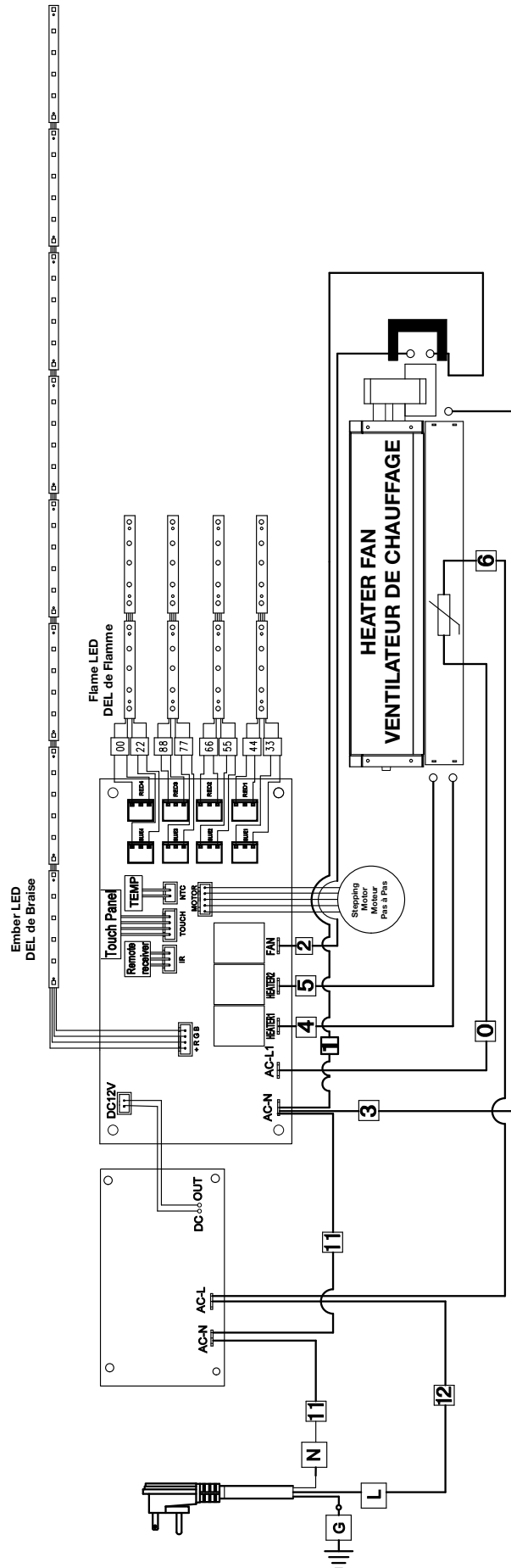


4.6 wiring diagram (NEFL72CFH)





4.7 wiring diagram (NEFL100CFH)



## 5.0 finishing

### ! WARNING

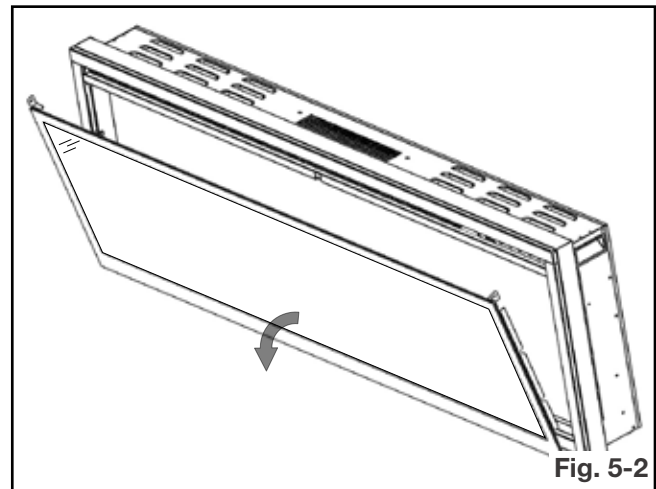
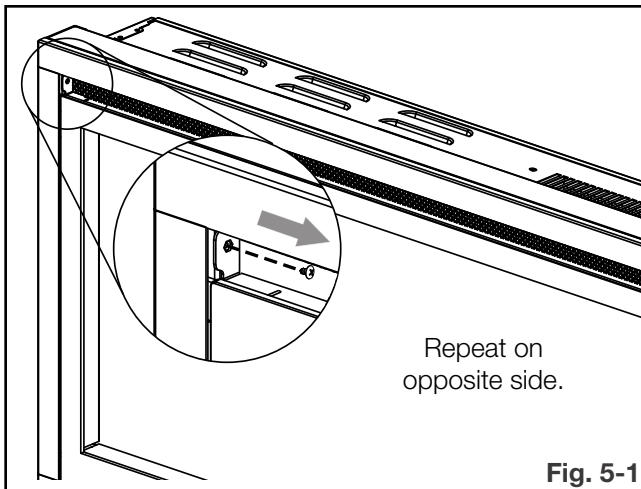
- Power supply service must be completed prior to finishing to avoid reconstruction.
- Heat vents and air openings cannot be covered in any circumstances.

### 5.1 front glass removal / installation

#### note:

It is recommended to have two people remove and install the front glass.

- Remove the two screws holding the glass retaining brackets in place (**Fig. 5-1**). Set the screws aside.
- Remove the front glass, placing it face down on a soft, non-abrasive surface (**Fig. 5-2**).
- Reverse these steps to install the front glass.



### 5.2 crystal ember installation

The front glass must be removed and the appliance must be secured in its final location before the crystal embers are installed.

- Place the ember bed strip in position.
- Apply an even layer of small crystals along the media tray and place the medium crystals in desired location.
- Install the front glass.



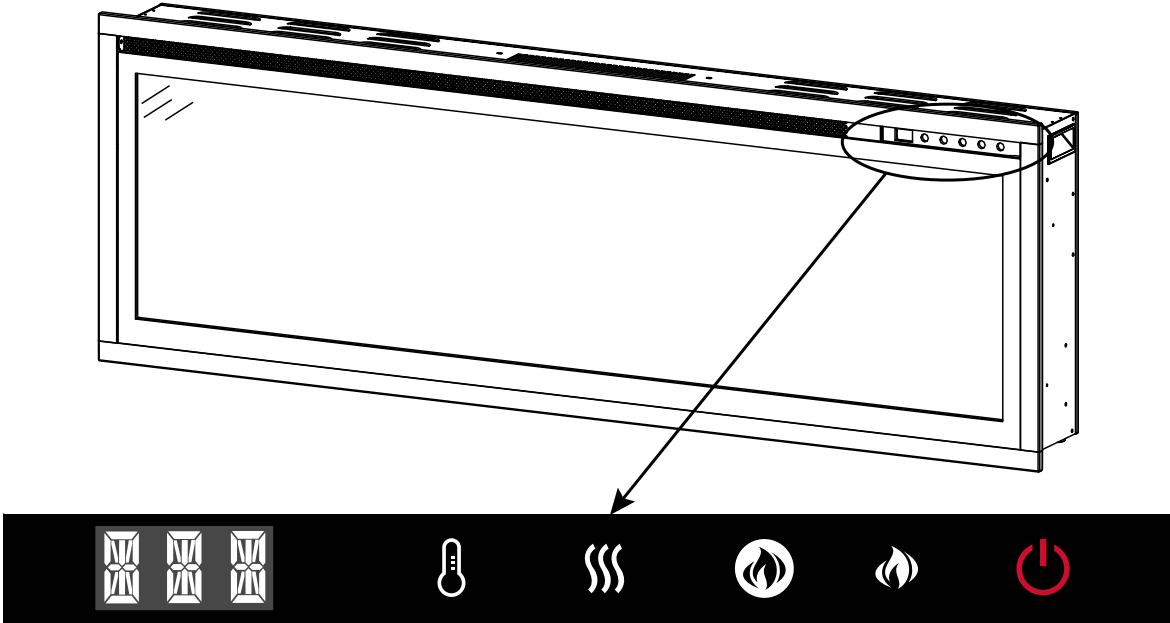
Once the appliance has been plugged into a grounded electrical outlet or hard-wired to a dedicated 120V power supply, it is ready to operate.

**note:**  
Ensure the house circuit breakers for the power supply are turned on. In the event of a power failure, the appliance will lose its memory function and will reset to factory mode when the power returns.

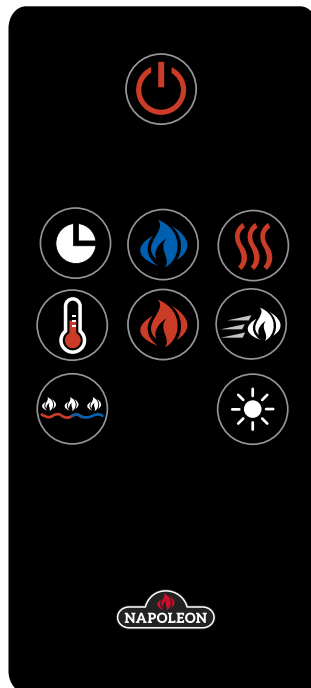
## 6.1 main power button

The main power button is located in the top right corner above the glass panel.







## 6.2 operating touch panel and remote control






Touch Panel



Remote Control

Power		Turns appliance on and off.
Blue Flame		Controls blue flame brightness. <b>Settings:</b> BF4 - Brightest flame BF3 - Bright flame BF2 - Dim flame BF1 - Dimmest flame BF0 - Flame off
Orange Flame		Controls orange flame brightness. <b>Settings:</b> OF4 - Brightest flame OF3 - Bright flame OF2 - Dim flame OF1 - Dimmest flame OF0 - Flame off
Ember Bed Colour		Controls ember bed light settings. <b>Settings:</b> L-1 - Red L-2 - Yellow L-3 - Green L-4 - Blue L-5 - Orange L-6 - Purple L-7 - Autocycle L-8 - Lock the desired colour during cycle
Ember Bed Brightness		Controls the brightness of the ember bed light. <b>NOTE:</b> If the ember bed colour is set to L-7, the ember bed brightness setting cannot be changed. <b>Settings:</b> B-5 - Fade in and out B-4 - Brightest B-3 - Bright B-2 - Dim B-1 - Dimmest B-0 - Off
Flame Speed		Controls flame speed. <b>Settings:</b> S-3, S-4, S-5, S-1, S-2

<p><b>Heater</b></p>		<p>Turns the heater and blower on/off.</p> <p><b>Settings:</b>                      H-0 - Heater and blower off                      FAN - Blower on                      H-1 - Low heat                      H-2 - High heat                      LOC - Lock-out of heater and thermostat</p> <p><b>NOTE:</b> Press and hold the heater button for 5 seconds to lock / unlock the heater and thermostat. The blower has a 10 second delay after the heater is off to blow out the residual heat.</p>
<p><b>Timer</b></p>		<p>Sets the timer.</p> <p><b>Settings:</b>                      30M, 1Hr, 2Hr, 3Hr, 4Hr, 5Hr, 6Hr, 7Hr, 8Hr.</p> <p><b>NOTE:</b> The display will read "---" after completing the 9 timer settings.</p>
<p><b>Temperature Control</b></p>		<p>Sets desired temperature.</p> <p><b>Settings:</b>                      18°C (64°F), 19°C (66°F), 20°C (68°F), 21°C (70°F), 22°C (72°F), 23°C (74°F), 24°C (76°F), 25°C (78°F), 26°C (80°F), 27°C (82°F), and OFF.</p> <p>To switch between °C and °F or vice versa, hold the temperature control button for 5 seconds.</p>

## 7.0 maintenance

### ! WARNING

- Always disconnect the power and allow the electric appliance to cool before performing any cleaning, maintenance or relocation of this electric appliance. Turn controls to OFF and remove plug from outlet or turn off the house circuit breaker to electric appliance receptacle.
- This appliance will require maintenance which should be planned on an annual basis.
- Using a vacuum with a soft brush attachment, gently remove any lint, dirt, or debris from the control areas and the vent openings on the appliance.
- For glass media, follow the installation instructions for pre-cleaning.
- The front glass can be cleaned with glass cleaner and using a non-abrasive cloth (not supplied).

## 7.1 remote battery installation

### ! WARNING

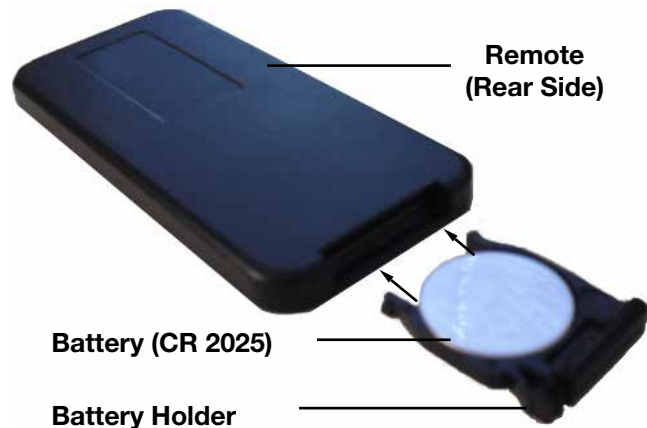
- This remote control requires button batteries that are hazardous to young children.
- **WARNING - KEEP BATTERIES OUT OF REACH OF CHILDREN!**
- Swallowing may lead to serious injury in as little as 2 hours or death, due to chemical burns and potential perforation of the oesophagus.
- If you suspect your child has swallowed or inserted a button battery, immediately seek urgent medical assistance.
- Examine devices and make sure the battery compartment is correctly secured, e.g. that the screw or other mechanical fastener is tightened. Do not use if compartment is not secure.
- Dispose of used button batteries immediately and safely. Flat batteries can still be dangerous.
- Tell others about the risk associated with button batteries and how to keep their children safe.



#### note:

The remote control has a removable plastic tab to prolong the battery life while shipping. Remove the tab for the remote control to function.

1. To replace the existing battery remove the battery holder.
2. The battery holder is equipped with a child lock system. To remove the battery holder turn remote onto rear side and press the left side lever towards the center while pulling the battery holder out using the slot provided.
3. Replace existing battery, type CR 2025, with a new battery and reinstall the battery holder into the remote by sliding it into position, as shown.
4. The battery holder is connected to the remote when you hear a "CLICK".



#### note:

The remote control must remain within 5 meters or 17 feet of the appliance to be effective. This range may be reduced when battery power is depleted.



Batteries must be disposed of according to the local laws and regulations. Some batteries may be recycled, and may be accepted for disposal at your local recycling center. Check with your municipality for recycling instructions.

 **WARNING**

- Failure to position the parts in accordance with this manual or failure to use only parts specifically approved with this appliance may result in property damage or personal injury.

Contact your dealer for questions concerning prices and policies on replacement parts. Normally, all parts can be ordered through your Authorized dealer / distributor.

**For warranty replacement parts, a photocopy of the original invoice will be required to honour the claim.**

When ordering replacement parts always give the following information:

- Model & Serial Number of appliance
- Installation date of appliance
- Part number
- Description of part
- Finish

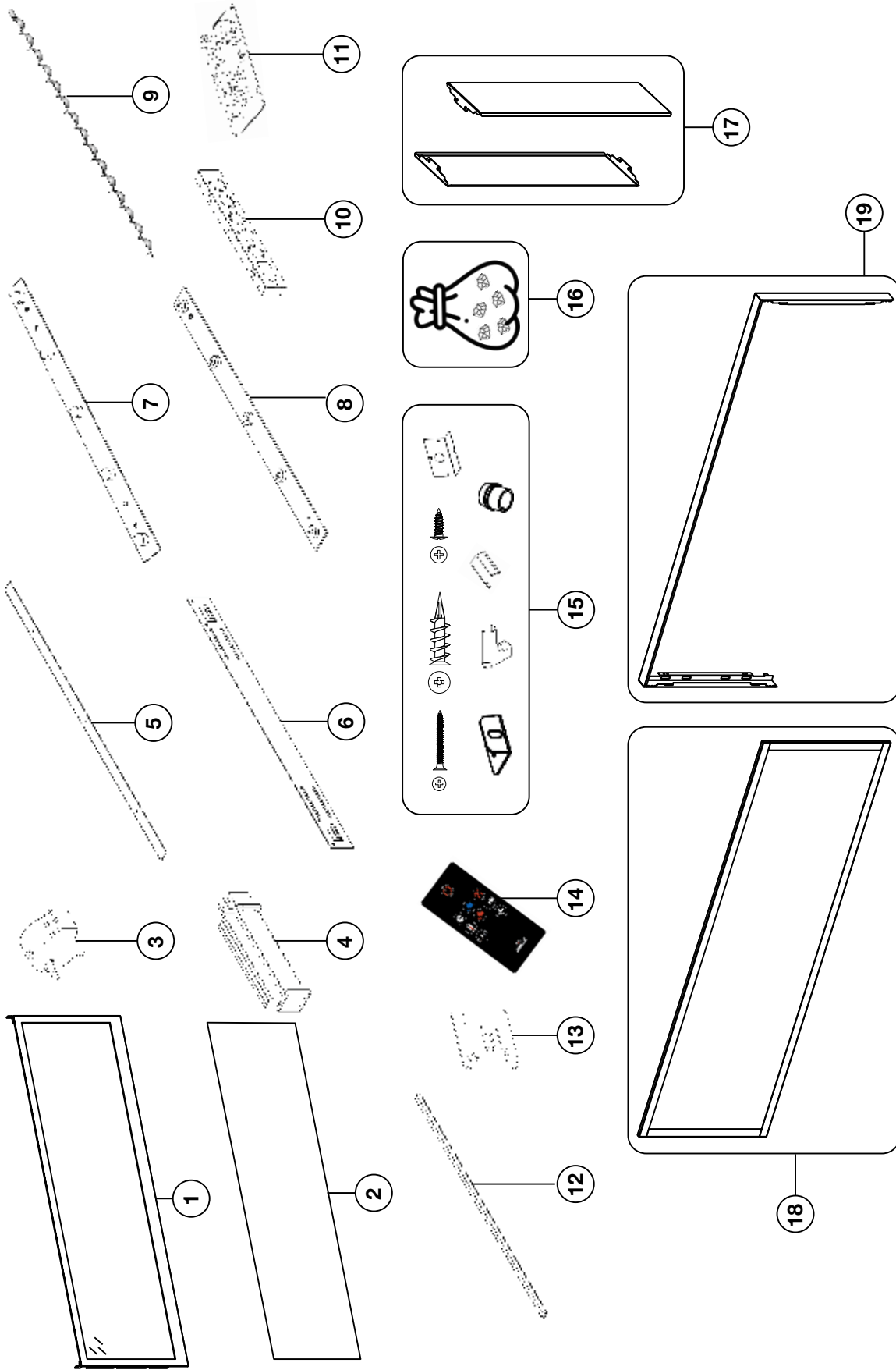
**Parts, part numbers, and availability are subject to change without notice.**

**Parts identified as stocked will be delivered within 2 to 5 business days for most delivery destinations.**

**Parts not identified as stocked will be delivered within a 2 to 4 week period, for most cases.**

**Parts identified as 'SO' are special order and can take up to 90 days for delivery.**

8.1 NEFL36/42/50/60/72/100CFH overview



Items may not appear exactly as illustrated.



Ref.	Description	Part Number						Stocked
		NEFL36CFH	NEFL42CFH	NEFL50CFH	NEFL60CFH	NEFL72CFH	NEFL100CFH	
1	Front Glass	W300-0318-SER	W300-0319-SER	W300-0320-SER	W300-0321-SER	W300-0322-SER	W300-0323-SER	Yes
2	Plastic Panel - Flame	W565-0330-SER	W565-0331-SER	W565-0332-SER	W565-0333-SER	W565-0334-SER	W565-0335-SER	Yes
3	Step Motor	W435-0090-SER						Yes
4	Blower and Heater Assembly	W010-4732-SER						Yes
5	Plastic Strip - Ember Bed	W497-1611-SER	W497-1612-SER	W497-1613-SER	W497-1614-SER	W497-1615-SER	W497-1616-SER	Yes
6	Wall Mounting Bracket	W080-1616-SER			W080-1621-SER			Yes
7	LED - Flame Light	W405-0033-SER			W405-0037-SER + W405-0033-SER			Yes
8	LED - Ember Light	W405-0086-SER						Yes
9	Reflector Spindle	W010-4733-SER	W010-4734-SER	W010-4735-SER	W010-4736-SER	W010-4737-SER	W010-4738-SER	Yes
10	Control Panel with Remote Receiver	W190-0183-SER						Yes
11	Main PCB Board	W190-0184-SER			W190-0185-SER			Yes
12	Cord Cover	W200-0572-SER						Yes
13	Thermostat	W690-0021-SER						Yes
14	Remote Control	W190-0182-SER						Yes
15	Hardware Kit	W370-0209-SER			W370-0210-SER		W370-0211-SER	Yes
16	Acrylic Crystals	W497-1617-SER	W497-1618-SER	W497-1619-SER	W497-1620-SER	W497-1621-SER	W497-1622-SER	Yes
17	Side Panels	W475-6220-SER						Yes
18	Front Trim	W715-1236-SER	W715-1237-SER	W715-1238-SER	W715-1239-SER	W715-1240-SER	W715-1241-SER	Yes
19	Top and Side Trim	W715-1242-SER	W715-1243-SER	W715-1244-SER	W715-1245-SER	W715-1246-SER	W715-1247-SER	Yes

## 9.0 troubleshooting

### WARNING

- Turn off the appliance completely and let cool before servicing. Only a qualified service person should service and repair this electric appliance.

symptom	problem	solution
Appliance will not come on when power button/switch is put into the "on" position.	Appliance is not plugged into an electrical outlet.	Check plug, and plug in the appliance if necessary.
	Hard wire connections are not correct.	See "hard-wiring installation" section.
	Appliance has overheated and safety thermal switch has tripped.	Unplug power or turn off the circuit breaker, allow appliance to cool for 15 minutes, then plug in the appliance or turn the breaker on.
	Main PCB board issue.	Inspect the circuit board and replace, if necessary.
Appliance turns off and will not turn on.	House circuit breaker has tripped.	Reset house circuit breaker.
	Appliance's fuse has blown.	Replace the fuse.
	Appliance has overheated and safety thermal switch has tripped.	Unplug power or turn off the circuit breaker, allow appliance to cool for 15 minutes to reset the thermal switch, then plug in the appliance or turn the breaker on.
Appliance has returned to default settings.	Power failure.	Re-program appliance to original settings (not applicable with all appliances).
Remote control does not work.	Low/dead batteries.	Replace batteries in remote control.
	Remote receiver malfunction.	Ensure remote receiver is not blocked. Replace control panel.
No warm air coming out of the appliance.	Heater setting not selected.	See "operation" section.
	Heater has been locked out.	See "operation" section.
	Room temperature is higher than appliance setting (if set to room temperature).	Reset temperature setting.
	Appliance has overheated and safety thermal switch has tripped.	Unplug power or turn off the circuit breaker. Allow for appliance to cool for 15 minutes.
	Hard wire connections are not correct.	See "hard-wiring installation" section.
	Heater issue.	Inspect the blower and heater and replace, if necessary.
Heater shuts off automatically.	Room is too warm.	The heater has a built-in thermostat so it will shut off automatically once the pre-set temperature is reached. It will also turn on automatically if the room temperature drops below the pre-set temperature.
Dim or no flame.	Flame brightness not selected.	See "operation" section.
	Flame LEDs issue.	Inspect the LED and replace, if necessary.
	Main PCB board issue.	Inspect the main PCB board and replace, if necessary.
Flame does not move.	Motor is stalled/malfunctioning.	Cycle on/off. If problem persists, consult dealer.

symptom	problem	solution
Ember bed is not glowing or dimming.	Brightness not selected.	See "operation" section.
	Ember LED issue.	Inspect the ember bed LEDs and replace, if necessary.
	Main PCB board issue.	Inspect the main PCB board and replace, if necessary.
LED flashing "OH".	Appliance has overheated and safety thermal switch has tripped.	Unplug power or turn off the circuit breaker. Allow appliance to cool for 15 minutes, then plug in the appliance or turn the breaker on. If problem persists, consults your dealer.

**Napoleon** electric appliances are manufactured under the strict Standard of the world recognized ISO 9001 : 2015 Quality Management System.

**Napoleon** products are designed with superior components and materials and assembled by trained craftsmen who take great pride in their work. Once assembled, the complete appliance is thoroughly inspected by a qualified and authorized installer, service agency, or supplier before packing to ensure that you, the customer, receive the quality product that you expect from **Napoleon**.

### **Napoleon Electric Appliance Premium Warranty**

Electrical components and wearable parts are covered and **Napoleon** will provide replacement parts free of charge during the first 2 years of premium warranty. This covers: fan/heaters, motors, switches, nylon bearing components, remote controls, and LED lights.\*

Light bulbs and fuses are NOT covered by the warranty.

In the first year only, any labour related to warranty repair is covered.

\* Construction of models vary. Warranty applies only to components included with your specific appliance.

### **Conditions and Limitations**

**Napoleon** warrants its products against manufacturing defects to the original purchaser only. Registering your warranty is not necessary. Simply provide your proof of purchase along with the model and serial number to make a warranty claim. Provided that the purchase was made through an authorized **Napoleon** dealer, your appliance is subject to the following conditions and limitations:

Warranty coverage begins on the date of original installation.

This factory warranty is non-transferable and may not be extended whatsoever by any of our representatives.

Installation must be done in accordance with the installation instructions included with the product and all local and national building and fire codes.

This premium warranty does not cover damages caused by misuse, lack of maintenance, accident, alterations, abuse, or neglect and parts installed from other manufacturers will nullify this warranty.

This premium warranty further does not cover any scratches, dents, corrosion, or discolouring caused by excessive heat, abrasive and chemical cleaners, nor chipping on porcelain enamel parts, mechanical breakage of PHAZER™ logs.

In the first 2 years only, this warranty extends to the repair or replacement of warranted parts which are defective in material or workmanship, provided that the product has been operated in accordance with the operation instructions and under normal conditions.

After the first year, **Napoleon** will not be responsible for installation, labour, or any other expenses related to the reinstallation of a warranted part, and such expenses are not covered by this warranty. Notwithstanding any provisions contained in the Premium Warranty, **Napoleon** responsibility under this warranty is defined as above, and it shall not in any event extend to any incidental, consequential, or indirect damages.

This warranty defines the obligations and liability of **Napoleon** with respect to the **Napoleon** electric appliance and any other warranties expressed or implied with respect to this product; its components or accessories are excluded.

**Napoleon** neither assumes, nor authorizes any third party to assume, on its behalf, any other liabilities with respect to the sale of this product.

Any damages to appliance, brass trim or other component due to water, weather damage, long periods of dampness, condensation, damaging chemicals, or cleaners will not be the responsibility of **Napoleon**.

**Napoleon** reserves the right to have its representative inspect any product or part thereof prior to honouring any warranty claim.

All parts replaced under the Premium Warranty Policy are subject to a single claim.

All parts replaced under the warranty will be covered for a period of 90 days from the date of their installation.

The manufacturer may require that defective parts or products be returned or that digital pictures be provided to support the claim. Returned products are to be shipped prepaid to the manufacturer for investigation. If a product is found to be defective, the manufacturer will repair or replace such defect.

Before shipping your appliance or defective components, your dealer must obtain an authorization number. Any merchandise shipped without authorization will be refused and returned to sender.

Shipping costs are not covered under this warranty.

Additional service fees may apply if you are seeking warranty service from a dealer.

All specifications and designed are subject to change without prior notice due to on-going product improvements. **Napoleon** is a registered trademark of Wolf Steel Ltd.



# NAPOLEON CELEBRATING OVER 40 YEARS OF HOME COMFORT PRODUCTS



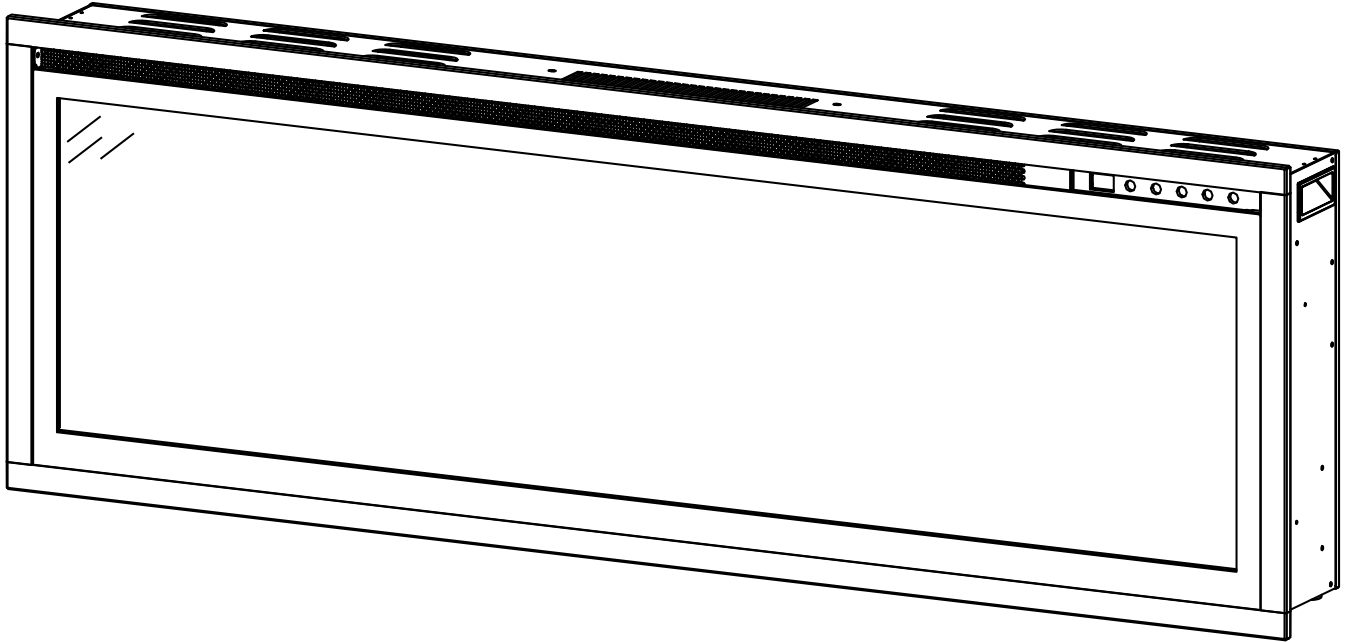
7200, Route Transcanadienne, Montréal, Québec H4T 1A3  
24 Napoleon Road, Barrie, Ontario, Canada L4M 0G8  
214 Bayview Drive, Barrie, Ontario, Canada L4N 4Y8  
103 Miller Drive, Crittenden, Kentucky, USA 41030  
De Riemsdijk 22, 4004 LC Tiel, The Netherlands

Phone: 1-866-820-8686  
[napoleon.com](http://napoleon.com)



# MANUEL D'INSTALLATION ET D'OPÉRATION

Série Entice 36 / 42 / 50 / 60 / 72 / 100  
(NEFL50CFH Illustré)



## CONSIGNES DE SÉCURITÉ

### ⚠ AVERTISSEMENT

#### RISQUE D'INCENDIE OU D'EXPLOSION

Si ces instructions ne sont pas suivies à la lettre, un incendie pourrait s'ensuivre causant des dommages matériels, des blessures corporelles ou des pertes de vie.

- N'entreposez pas et n'utilisez pas d'essence ou autres liquides et vapeurs inflammables à proximité de cet appareil ou tout autre appareil.

#### INSTALLATEUR:

Laissez ce manuel avec l'appareil

#### PROPRIÉTAIRE:

Conservez ce manuel pour consultation ultérieure.



Cet appareil dispose d'une télécommande qui nécessite des piles à bouton qui sont dangereuses pour les jeunes enfants.

### POUR L'UTILISATION INTÉRIEUR SEULEMENT

CERTIFIÉ SELON LES NORMES NATIONALES CANADIENNES ET AMÉRICAINES:  
CSA 22.2 NO. 46 / UL 2021



Wolf Steel Ltd., 24 Napoleon Rd., Barrie, ON, L4M 0G8 Canada / 103 Miller Drive, Crittenden, Kentucky, USA, 41030  
Téléphone 1 (866) 826 8686 • www.napoleon.com • hearth@napoleon.com

## AVERTISSEMENT

- **Si équipé avec un chauffage, cet appareil peut être chaud lorsqu'il fonctionne et peut causer de graves brûlures en cas de contact.**
- Ne faites pas fonctionner l'appareil avant d'avoir lu et compris les instructions d'utilisation. L'incapacité de respecter les instructions pourrait causer un incendie ou des blessures corporelles.
- N'installez pas de composants endommagés ou incomplets, ni des composants de substitution.
- Ne brûlez pas de bois ou autres matériaux dans cet appareil.
- Tous les appareils électriques contiennent des composants internes qui deviennent chauds et qui produisent des étincelles. N'utilisez pas cet appareil dans des endroits où de l'essence, des peintures ou d'autres liquides inflammables sont présents.
- Les grillages de sécurités ou écrans enlevés pour faire l'entretien devront être remis en place avant d'utiliser l'appareil.
- Il est primordial de garder propres les compartiments de contrôle, les brûleurs, la soufflerie, les bouches d'air de l'appareil ainsi que le système d'évacuation. L'appareil et son système d'évacuation doivent être inspectés avant la première utilisation et au moins une fois l'an par un spécialiste en entretien. Un entretien plus fréquent pourrait être nécessaire en raison des peluches provenant des tapis, literie, etc. L'emplacement de l'appareil doit être gardé libre de tous matériaux combustibles, essence ou autres liquides et vapeurs inflammables.
- Cet appareil ne devra être modifié en aucun cas.
- N'utilisez pas cet appareil si une partie quelconque a été submergée. Contactez immédiatement un technicien de service qualifié pour inspecter l'appareil et pour remplacer toute pièce du système de contrôle qui aurait été submergée.
- Si équipé avec une porte vitrée, n'opérer pas l'appareil lorsque la porte vitrée est enlevée, fissurée ou brisée. Le remplacement de la vitre devra être effectué par un technicien de service certifié ou qualifié.
- Si équipé avec un porte vitrée, ne frappez pas et ne claquez pas la porte vitrée de l'appareil.
- Les matériaux d'emballage doivent être gardés hors de la portée des enfants et mis au rebut de façon sécuritaire. Comme tous les emballages de plastique, ceux-ci ne sont pas des jouets et doivent demeurer hors de la portée des enfants et des bébés.
- L'entretien ne doit être effectué que lorsque l'appareil est débranché du circuit électrique.
- Débranchez toujours l'appareil lorsqu'il n'est pas utilisé.
- N'utilisez pas l'appareil si le cordon d'alimentation ou la fiche sont endommagés, s'il ne fonctionne pas bien, ou s'il a été échappé ou endommagé d'une quelconque façon. Retournez l'appareil à un centre de service autorisé pour une inspection, des ajustements électriques ou mécaniques ou une réparation.
- N'utilisez pas cet appareil à l'extérieur.
- Lorsque vous installez cet appareil dans une pièce où l'eau est présente, l'installation doit se conformer aux codes reconnaissant le risque accru de décharge électrique et d'électrocution.

### **note:**

Cet appareil NE PEUT PAS être installé dans une salle de bain.

- Ne passez pas le cordon d'alimentation sous un tapis. Ne recouvrez pas le cordon avec des carpettes, des tapis de couloir ou autres revêtements similaires. Évitez de placer le cordon dans un endroit passant ou à un endroit où il risque de causer des chutes.
- Branchez seulement dans une prise de courant adéquatement mise à la terre.
- N'insérez pas d'objets dans les ouvertures d'entrée d'air ou de sortie d'air puisque cela risque d'endommager l'appareil ou causer des chocs électriques ou un incendie.
- Il est normal que votre appareil électrique produise du bruit, surtout s'il est installé dans un endroit calme comme un chambre à coucher.



**! AVERTISSEMENT**

- Pour prévenir les risques d'incendie, ne bloquez pas les entrées d'air et les sorties d'air de quelque manière que ce soit. Ne placez pas cet appareil sur une surface molle telle qu'un tapis où les ouvertures pourraient se bloquer.
- Toujours brancher l'appareil directement dans une prise murale. N'utilisez pas de cordons d'alimentation ou une robinet d'alimentation relogeables (alimentation/multiprise).
- Cet appareil a été testé et homologué pour usage avec les accessoires optionnels listés dans ce manuel uniquement. L'utilisation d'accessoires optionnels qui n'ont pas été spécifiquement testés pour cet appareil électrique annulera la garantie de l'appareil et/ou présentera des risques pour la sécurité.

**Pour les appareil équipé avec chauffage:**

- Risque de brûlures. L'appareil doit être éteint et refroidi avant d'effectuer l'entretien. Pour débrancher l'appareil, mettez d'abord les boutons de contrôle à « OFF » puis retirez la fiche de la prise de courant.
- Les jeunes enfants doivent être supervisés attentivement lorsqu'ils sont dans la même pièce que l'appareil recommandés s'il y a dans la maison des individus à risque. Les jeunes enfants et autres personnes sont sujets aux brûlures accidentelles. Une barrière de protection est recommandée s'il y a dans la maison des individus à risque. Afin de restreindre l'accès à l'appareil, installez une barrière de protection ajustable pour garder les jeunes enfants ou autres personnes à risque hors de la pièce et loin des surfaces chaudes.
- Les vêtements et autres matériaux combustibles ne doivent pas être posés sur l'appareil ou à proximité.
- En raison des températures élevées, l'appareil devrait être placé loin des endroits passants et loin des meubles et des rideaux.
- Assurez-vous de disposer de mesures de sécurité adéquates pour empêcher les jeunes enfants de toucher aux surfaces chaudes.
- Même lorsque l'appareil est éteint, la porte et l'écran demeureront chauds pendant un bon moment.
- Consultez votre détaillant local de foyer pour connaître les grillages de sécurité et les écrans offerts pour protéger les enfants des surfaces chaudes. Ces grillages de sécurité et ces écrans doivent être fixés au plancher.
- Assurez-vous de respecter les dégagements aux matériaux combustibles lorsque vous installez un manteau ou des tablettes au-dessus de l'appareil. Les téléviseurs et autres composants électroniques sournis à des températures élevées peuvent fondre, se déformer, se décolorer et entraîner des défaillances prématurées de ces appareils.

**! AVERTISSEMENT:** Ce produit peut vous exposer à des substances chimiques incluant le plomb et les composés de plomb qui, selon l'État de Californie, causeraient le cancer, et des substances chimiques incluant le BBP et DEHP qui, selon d'État de Californie, causeraient des malformations congénitales ou autres dangers pour la reproduction. Pour de plus amples renseignements, visitez le [www.P65Warnings.ca.gov](http://www.P65Warnings.ca.gov).

# table de matières

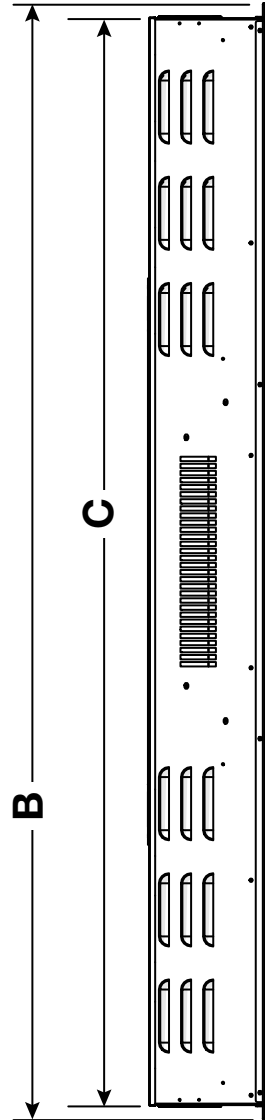
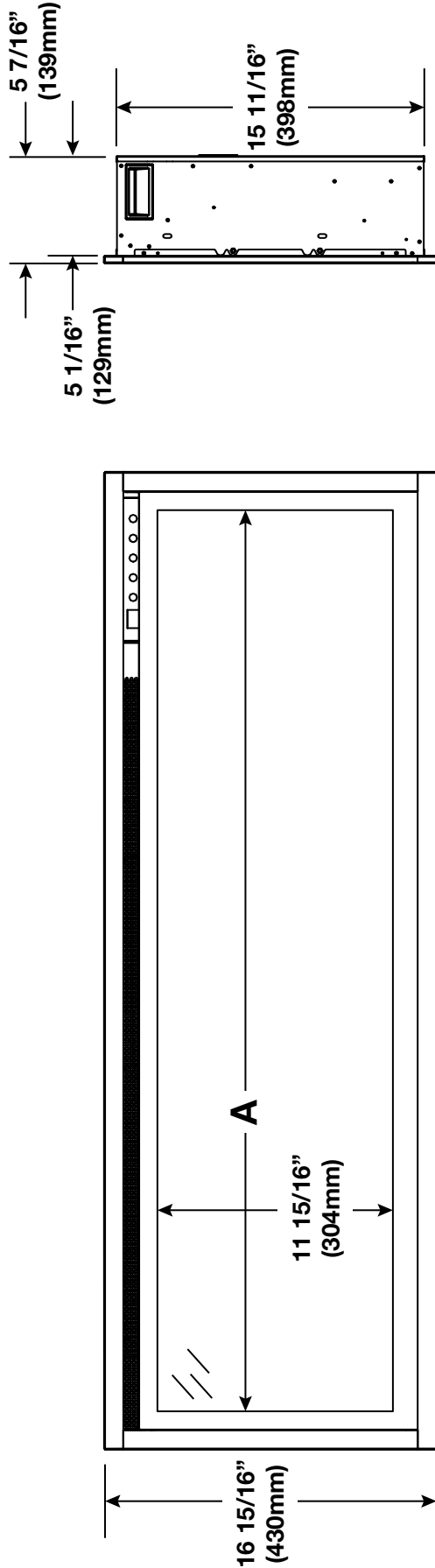
FR

<b>1.0</b>	<b>information générale</b>	<b>43</b>
1.1	dimensions	43
1.2	information à propos de la plaque d'homologation	44
1.3	emplacement d'étiquette	44
1.4	homologations	45
1.5	instructions générales	45
1.6	déballage et vérification de l'appareil	46
1.7	liste de pièces	46
<b>2.0</b>	<b>emplacement de l'appareil</b>	<b>47</b>
2.1	mise à terre de l'appareil	47
2.2	vue d'ensemble d'installation	48
<b>3.0</b>	<b>installation</b>	<b>49</b>
3.1	dégagement minimal aux combustibles	49
3.2	ossature	50
3.3	installation de montage murale	51
3.4	installation d'encasté	54
3.4.1	installation d'encasté partiellement	54
3.4.2	installation d'encasté complètement	56
<b>4.0</b>	<b>information électrique</b>	<b>57</b>
4.1	branchement par câble	57
4.2	schéma de câblage (NEFL36CFH)	58
4.3	schéma de câblage (NEFL42CFH)	59
4.4	schéma de câblage (NEFL50CFH)	60
4.5	schéma de câblage (NEFL60CFH)	61
4.6	schéma de câblage (NEFL72CFH)	62
4.7	schéma de câblage (NEFL100CFH)	63
<b>5.0</b>	<b>finitions</b>	<b>64</b>
5.1	enlèvement / installation du verre avant	64
5.2	installation de braise en cristal	64
<b>6.0</b>	<b>instructions de fonctionnement</b>	<b>65</b>
6.1	bouton d'alimentation principal	65
<b>6.2</b>	<b>fonctionnement du panneau d'affichage et de la télécommande</b>	<b>65</b>
<b>7.0</b>	<b>entretien</b>	<b>68</b>
7.1	installation de la pile de la télécommande	68
<b>8.0</b>	<b>pièces de rechange</b>	<b>69</b>
8.1	vue d'ensemble NEFL36/42/50/60/72/100CFH	70
<b>9.0</b>	<b>guide de dépannage</b>	<b>72</b>
<b>10.0</b>	<b>garantie</b>	<b>74</b>
<b>11.0</b>	<b>notes</b>	<b>75</b>

## note:

L'information contenue dans ce manuel est jugée correcte au moment de l'impression. Wolf Steel Ltée. se réserve le droit de modifier ou de modifier toute information contenue dans ce manuel à tout moment sans préavis. Les modifications, ature que les éditoriaux, sont désignées par une ligne verticale dans la marge.

1.1 dimensions




	NEFL36CFH	NEFL42CFH	NEFL50CFH	NEFL60CFH	NEFL72CFH	NEFL100CFH
<b>A</b>	32 1/16" (814mm)	37 13/16" (960mm)	45 13/16" (1163mm)	55 3/4" (1416mm)	67 3/4" (1721mm)	95 7/8" (2435mm)
<b>B</b>	36" (914mm)	41 3/4" (1060mm)	49 11/16" (1262mm)	59 11/16" (1516mm)	71 11/16" (1821mm)	99 3/4" (2533mm)
<b>C</b>	34 3/4" (882mm)	40 7/16" (1027mm)	48 7/16" (1230mm)	58 7/16" (1484mm)	70 7/16" (1789mm)	98 7/16" (2501mm)

# information générale

## 1.2 information à propos de la plaque d'homologation

Cette illustration est à titre d'illustration seulement. Consultez la plaque d'homologation pour obtenir l'information précis.

CERTIFIED UNDER CANADIAN AND AMERICAN NATIONAL STANDARD: CSA 22.2 NO. 46 AND UL 2021 / HOMOLOGUÉ SELON LES NORMES NATIONALES CANADIENNES ET AMÉRICAINES: CSA 22.2 NO. 46 UL 2021  
 ELECTRIC FIREPLACE. SUITABLE FOR BEDROOM AND BED-SITTING ROOM INSTALLATION. SUITABLE FOR MOBILE HOME INSTALLATION. FOYER À ÉLECTRIQUE. HOMOLOGUÉ POUR INSTALLATION DANS UNE CHAMBRE À COUCHER, UNE SALLE DE BAIN ET UN STUDIO. APPROPRIÉ POUR INSTALLATION DANS UNE MAISON MOBILE.

  
**C US**  
 MASTER CONTRACT: 161746  
 CONTRAT-CADRE: 161746

<input type="checkbox"/> NEFL36CFH	<input type="checkbox"/> NEFL60CFH	<input type="checkbox"/> CEFL36CFH	<input type="checkbox"/> CEFL60CFH
<input type="checkbox"/> NEFL42CFH	<input type="checkbox"/> NEFL72CFH	<input type="checkbox"/> CEFL42CFH	<input type="checkbox"/> CEFL72CFH
<input type="checkbox"/> NEFL50CFH	<input type="checkbox"/> NEFL100CFH	<input type="checkbox"/> CEFL50CFH	<input type="checkbox"/> CEFL100CFH

**MODEL**

<b>VOLTAGE:</b> 120VAC <b>FREQUENCY:</b> 60Hz <b>POWER:</b> 1465W <b>DATE CODE:</b> DESIGNED IN NORTH AMERICA BY WOLF STEEL LTD. MADE IN CHINA	<b>TENSION:</b> 120VAC <b>FRÉQUENCE:</b> 60Hz <b>PUISSANCE:</b> 1465W <b>CODE DE DATE:</b> DÉSIGNÉ EN AMÉRIQUE DU NORD PAR WOLF STEEL LTÉE. FABRIQUÉ EN CHINE
--	---

**WOLF STEEL LTD.**  
 24 NAPOLEON ROAD,  
 BARRIE, ON, L4M 0G8 CANADA

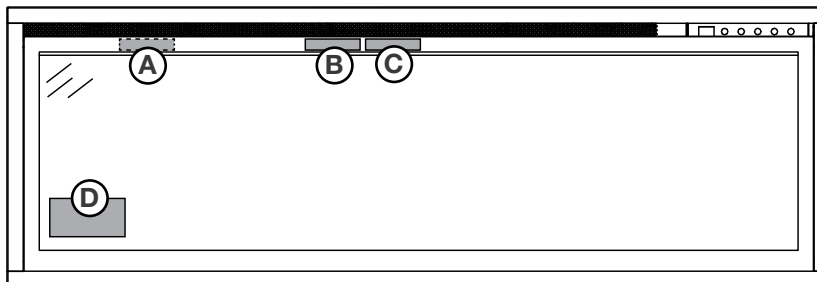
**SERIAL NUMBER/NO. DE SÉRIE:** **NEFLXXCFH** W385-4523

**note:**

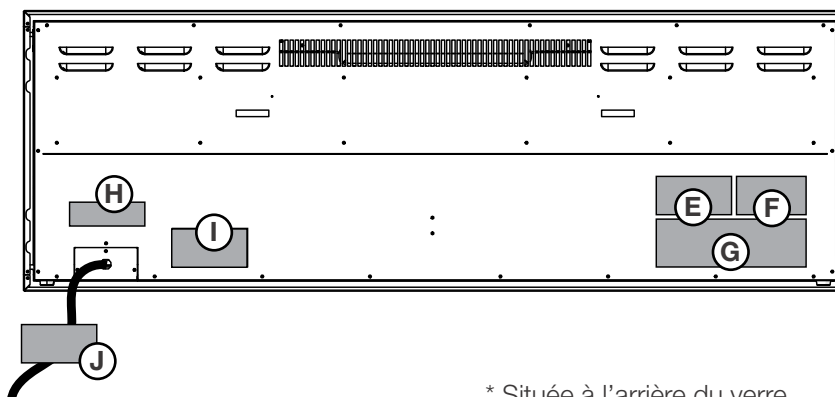
La plaque d'homologation doit rester avec l'appareil à tout instant. Elle ne doit pas être enlevée.

## 1.3 emplacement d'étiquette

Vue de Face



Vue d'Arrière



\* Située à l'arrière du verre

**note:**

À titre d'illustration seulement. L'emplacement des étiquettes peut différer quelque peu.

Réf.	No. de Pièce	Description d'Etiquette
A *	-	No. de Série
B	W385-2210	«Ne Couvrir Pas»
C	W385-4486	«Surface Chaud»
D	W385-1911	« Verre Tempéré »
E	W385-4523	Plaque d'Homologation
F	W385-2167	Avertissement
G	W385-2163	Avertissement
H	W385-4524	NEFL36CFH Schéma de Câblage
	W385-4525	NEFL42CFH Schéma de Câblage
	W385-4526	NEFL50CFH Schéma de Câblage
	W385-4527	NEFL60CFH Schéma de Câblage
	W385-4528	NEFL72CFH Schéma de Câblage
	W385-4529	NEFL100CFH Schéma de Câblage
I	W385-4530	Branchement par Câble
J	W385-1943	Avertissement

## 1.4 homologations

Cet appareil a été testé selon les normes CSA pour les appareils électrique installés de façon permanentes et amovibles aux États-Unis et au Canada. Si vous avez besoin d'assistance durant l'installation, veuillez contacter votre détaillant local.

### note:

Cet appareil doit être raccordé électriquement et mis à la terre selon les codes locaux ou, en l'absence de tels codes, avec la dernière édition du National Electrical Code ANSI/NFPA 70 aux États-Unis ou le Code Canadienne de l'Électricité CSA C22.1 au Canada.

Modèle	NEFL36CFH	NEFL42CFH	NEFL50CFH	NEFL60CFH	NEFL72CFH	NEFL100CFH
Description	Appareil Électrique					
Type	Appareil de Montage de 3 Façons: Monté au Mur, Encastré Partiellement dans le Mur, et Encastré Complètement dans le Mur					
Tension	120V AC					
Puissance	MAX 1465W					
Ampères	15 AMP circuit mis à la terre dédié					
Largeur de l'Appareil	36" (914mm)	41 3/4" (1060mm)	49 11/16" (1262mm)	59 11/16" (1516mm)	71 11/16" (1821mm)	99 3/4" (2533mm)
Hauteur de l'Appareil	16 15/16" (430mm)					
Profondeur de l'Appareil	5 7/16" (139mm)					
Poids Net	36,6lbs (16,6kg)	40,6lbs (18,4kg)	47,0lbs (21,3kg)	55,1lbs (25,0kg)	69,4lbs (31,5kg)	94,8lbs (43,0kg)
Poids Brut	45,2lbs (20,5kg)	50,3lbs (22,8kg)	56,9lbs (25,8kg)	71,7lbs (32,5kg)	88,2lbs (40,0kg)	125,7lbs (57,0kg)

## 1.5 instructions générales

### AVERTISSEMENT

- Lisez ces instructions complètement avant de commencer l'installation. Le non-respect de cette précaution peut causer l'appareil de mal fonctionner, qui peut résulter en les blessures graves et/ou dommages matériels.
- Tous les appareils électriques ont les parties chauds, à l'arc, ou d'étincelles dans leurs intérieures. N'utilisez pas l'appareil en les zones où l'essence, la peinture, ou les liquides inflammables sont présents.
- Cet appareil électrique est testé et listé pour l'utilisation seulement avec les accessoires optionnels listés dans ces instructions. L'utilisation des accessoires optionnels non testé spécifiquement pour cet appareil électrique peut annuler la garantie et/ou résulter dans un risque pour la sécurité.
- N'ouvrez pas. Risque de choc électrique. Il n'y a pas de parties à l'intérieur qui peuvent être révisés par l'utilisateur.
- N'utilisez pas les cordons électrique qui sont endommagés.
- Le service doit être complété lorsque l'appareil est déconnecté du circuit électrique d'alimentation.
- Pour prévenir le choc électrique, correspondez la larne large de la prise à la fente large du réceptacle et insérez complètement.

- Avant de brancher votre appareil dans une prise de courant, vérifiez si le disjoncteur de la maison pour ce circuit est allumé.
- Il est possible que l'appareil dégage une légère odeur inoffensive lors de la première utilisation. Cela est une condition normale causée par le chauffage initial des éléments de l'appareil. Elle ne se reproduira plus.
- Si votre appareil n'émet pas de chaleur lorsqu'il est sollicité, consultez la section « fonctionnement » de ce manuel pour de plus amples renseignements.
- Utilisez avec un limiteur de surtension certifié CSA ou UL.
- Ne faites pas passer le cordon d'alimentation directement sous l'appareil.

Cet appareil électrique répond aux normes de construction et de sécurité du H.U.D. pour des applications dans des maisons préfabriquées lorsque installé selon ces instructions.

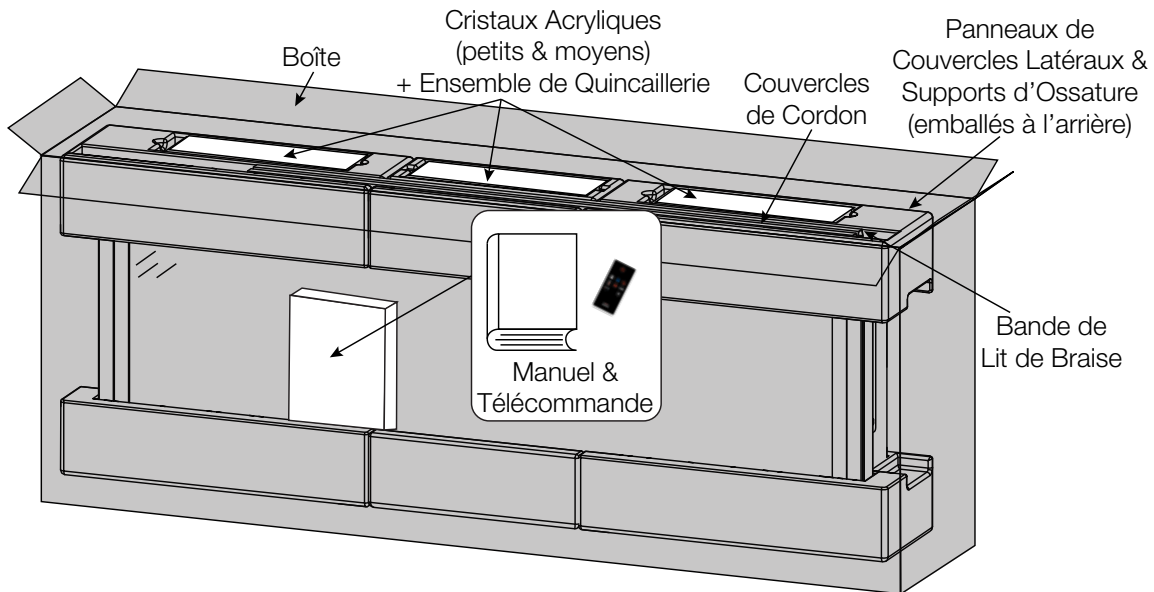
**Comme avec la plupart des appareils électroniques, votre nouveau appareil électrique a été conçu pour fonctionner à des températures comprises entre 5°C (41°F) et 35°C (95°F). Pendant les mois froids de l'hiver, la cheminée permet d'atteindre la température avant de l'allumer.**

# information générale

FR

## 1.6 déballage et vérification de l'appareil

Retirez soigneusement l'appareil de la boîte et retirez les supports. Avant d'installer l'appareil, retirez tous les matériaux d'emballage et vérifiez que l'appareil fonctionne correctement en branchant le cordon d'alimentation dans une prise de terre minimale de 120V, 15 ampères, mise à la terre.



## 1.7 liste de pièces

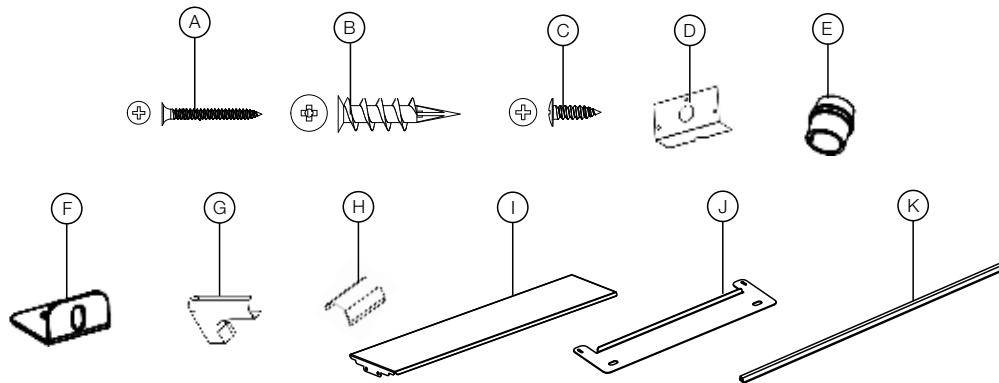


Illustration n'est pas à l'échelle.

Réf.	Description	Quantité					
		NEFL36CFH	NEFL42CFH	NEFL50CFH	NEFL60CFH	NEFL72CFH	NEFL100CFH
A	Vis à Bois		7			9	17
B	Ancrages pour Cloison Sèche		7			9	17
C	Vis Métalliques (ST4x12)			8			
D	Plaque de Recouvrement				1		
E	Soulagement de Traction				1		
F	Support Métallique				1		
G	Coin de Cordon				2		
H	Connecteur de Couvercle de Cordon				2		
I	Panneau de Couvercle Latéral				2		
J	Support d'Ossature				2		
K	Couvercle de Cordon				2		

### **! AVERTISSEMENT**

- En raison des températures élevées, cet appareil électrique doit être situé hors de circulation. Conservez des matériaux combustibles tels que des meubles, des coussins, les litières, des papiers, des vêtements, et des rideaux au moins 36" (91,4cm) de l'avant de l'appareil.
- Ne placez jamais cet appareil électrique là où il peut tomber dans une baignoire ou au autre contenant de l'eau.
- Portez des gants de sécurité et des lunettes de sécurité pour la protection pendant l'installation et l'entretien.
- Pour éviter tout contact avec une isolation affaiblié ou perdue, l'appareil électrique ne doit pas être installé contre un pare-vapeur ou un isolant exposé. Une surchauffe localisée pourrait se produire et un incendie pourrait en résulter.
- N'exposez pas l'appareil électrique aux éléments (c.à.d. la pluie, la neige, etc.).

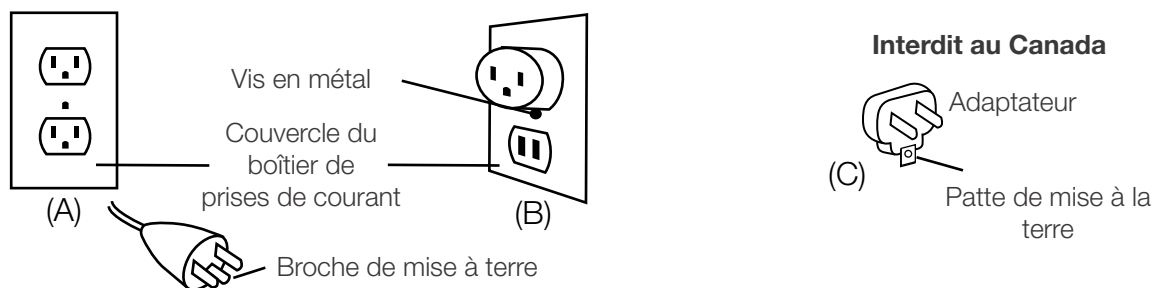
### 2.1 mise à terre de l'appareil

Cet appareil doit être branché sur un circuit de 120 volts. Son cordon d'alimentation est équipé d'une fiche comme illustré en (A) ci-contre. Un adaptateur, tel qu'illustré en (C), est disponible pour brancher des fiches à trois branches avec mise à la terre dans des prises à deux fentes, tel qu'illustré en (B).

La patte verte de mise à la terre de l'adaptateur doit être branchée dans une prise de courant mise à la terre de façon permanente telle qu'un boîtier de prises de courant mis à la terre. L'adaptateur ne doit pas être utilisé si une prise de courant mise à la terre à trois fentes est disponible.

Pour débrancher l'appareil, mettez les boutons de contrôle à « OFF » puis retirez la fiche de la prise du courant.

#### Méthodes de mise à la terre



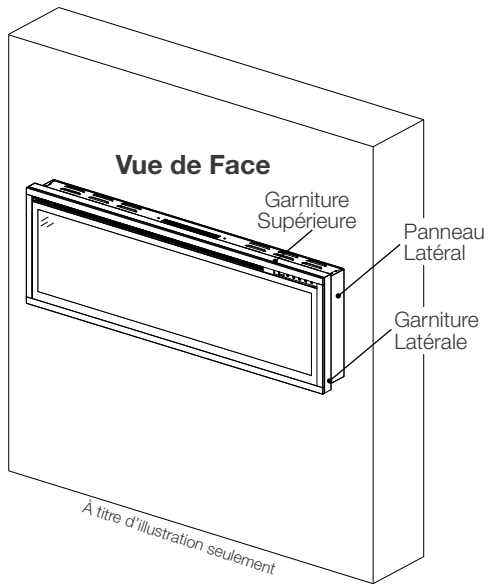
#### note:

Cet appareil doit être connecté à un circuit de 15 ampères dédié. L'utilisation d'un cordon d'extension N'EST PAS autorisée.

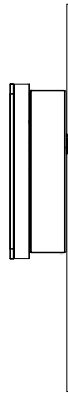
# emplacement de l'appareil

## 2.2 vue d'ensemble d'installation

Votre appareil est capable de trois configurations d'installation unique: monté au mur, encastré partiellement dans le mur, et encastré complètement dans le mur. Voir ci-dessous pour les détails:

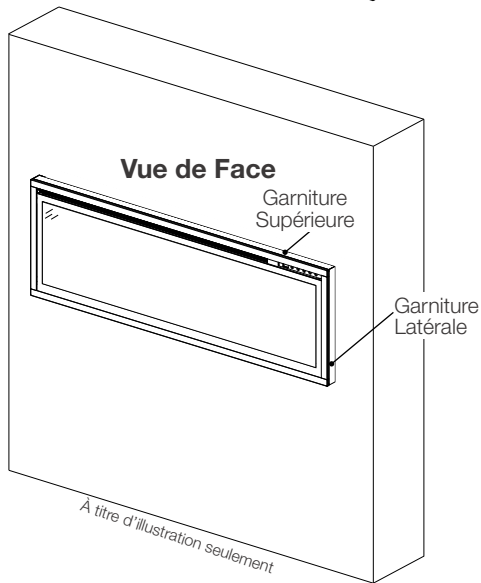


Vue de Côté



### Installation de Montage Murale

- Monté sur le mur
- Les garnitures latéraux et supérieures sont installées
- Les panneaux latéraux sont installés

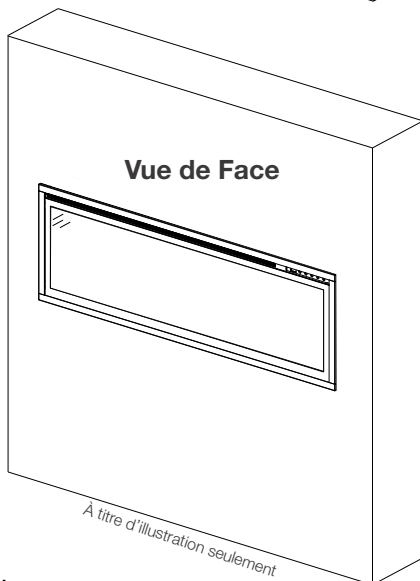


Vue de Côté

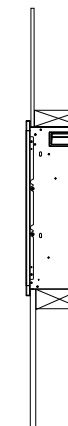


### Installation d'Encastré Partiellement

- Encastré partiellement dans le mur
- Les garnitures latéraux et supérieures sont installées
- Les panneaux latéraux **ne sont pas** installés
- Le(s) support(s) de montage murale **ne sont pas** installé(s)



Vue de Côté



### Installation d'Encastré Complètement

- Encastré complètement dans le mur
- Les garnitures latéraux et supérieures **ne sont pas** installées
- Les panneaux latéraux **ne sont pas** installés
- Le(s) support(s) de montage murale **ne sont pas** installé(s)



## ! AVERTISSEMENT

- Risque d'incendie! Le cordon d'alimentation ne doit pas être coincé contre une arrête vive. Fixez le cordon pour éviter les chutes ou les accrochages afin de réduire le risque d'incendie, de choc électrique ou de blessures corporelles. Ne passez pas le cordon d'alimentation sous un tapis. Ne recouvrez pas le cordon avec des carpettes, des tapis de couloir ou autres revêtements similaires. Évitez de placer le cordon dans un endroit passant ou à un endroit où il risque de causer des chutes.
- Risque d'incendie! Pour prévenir les risques d'incendie, ne bloquez pas les entrées d'air et les sorties d'air de quelque manière que ce soit. Ne placez pas cet appareil sur une surface molle où les ouvertures pourraient se bloquer.
- Risque d'incendie! Ne soufflez pas ou ne placez pas d'isolant contre l'appareil.
- Cet appareil électrique a été testé et homologué pour usage avec les accessoires optionnels listés dans ce manuel uniquement. L'utilisation d'accessoires optionnels qui n'ont pas été spécifiquement testés pour cet appareil électrique annulera la garantie de l'appareil et/ou présentera des risques pour la sécurité.
- Si ces instructions ne sont pas suivies à la lettre, un incendie ou une explosion pourraient s'ensuivre, causant des dommages matériels, des blessures corporelles ou des pertes de vie. N'entreposez pas et n'utilisez pas d'essence ou autres vapeurs inflammables à proximité de cet appareil ou tout autre appareil.
- Étant donné la lourdeur de cet appareil, il est recommandé que deux personnes en fassent l'installation.
- Si votre appareil est équipé avec chauffage, assurez-vous que les ouvertures de la chauffage ne peut pas, dans aucune façon, être recouverts car il peut provoquer un incendie.
- N'exécutez pas le cordon d'alimentation horizontalement, directement en dessous de l'appareil.

Votre appareil NEFL36/42/50/60/72/100CFH peut être monté sur le mur, encastré partiellement et/ou encastré complètement dans le mur. Sélectionnez un endroit approprié qui ne soit pas susceptible d'être humide et qu'il soit éloigné des rideaux, des meubles, et des zones à fort trafic.

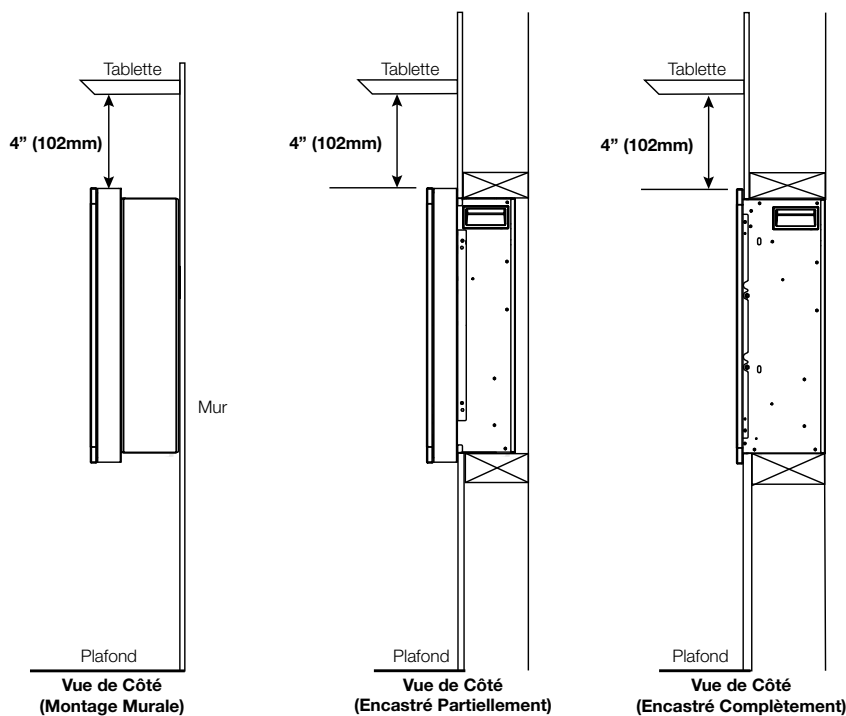
### note:

Suivez tous les codes électriques nationaux et locaux.

## 3.1 dégagement minimal aux combustibles

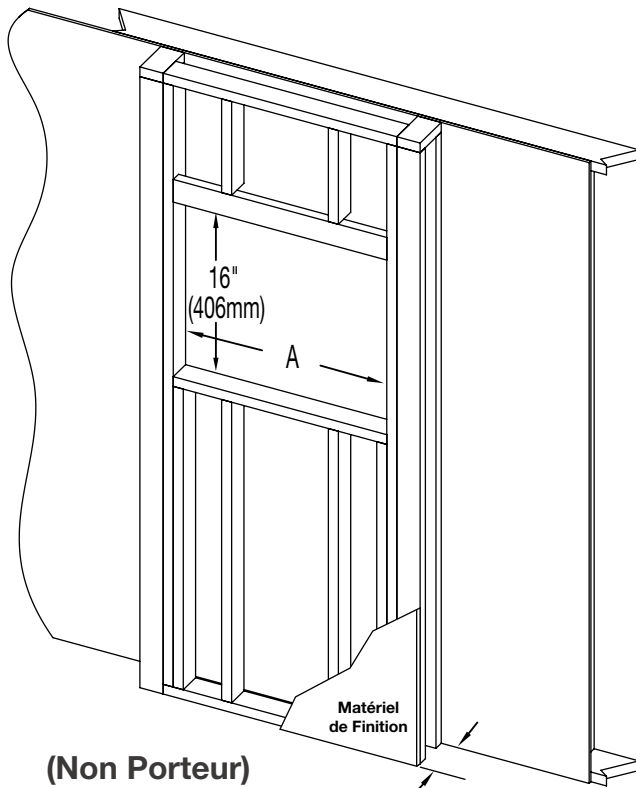
### ! AVERTISSEMENT

- Lorsque vous utilisez de la peinture ou de la laque pour finir la tablette, la peinture ou la laque doit être résistante à la chaleur pour éviter la décoloration.



Les mesures sont prises de la garniture	
Bas	0"
Côtés	0"
Arrière	0"
Dessus	4" (102mm) au plafond
	4" (102mm) à la tablette

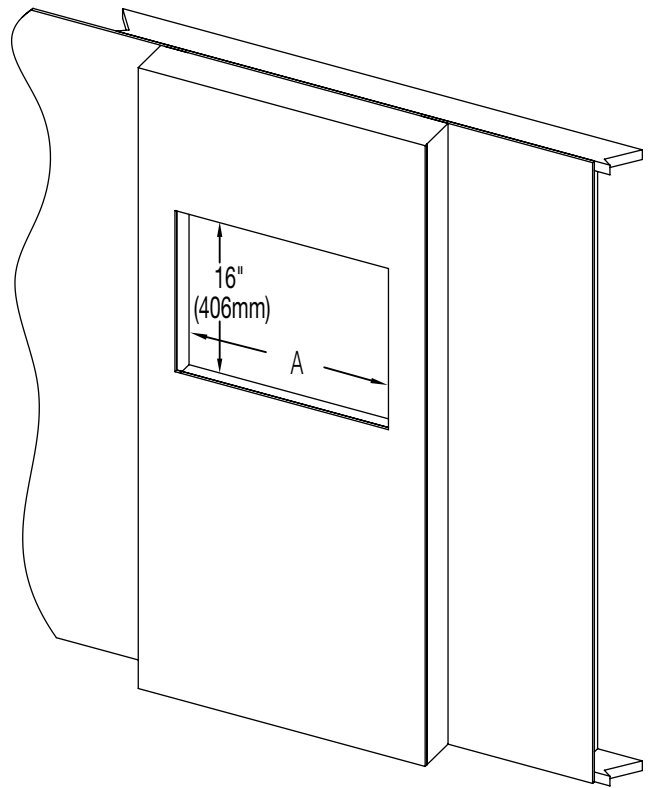
### Matériel de Finition



**(Non Porteur)**

4" (102mm) minimum  
(encastré partiellement)

6" (152mm) minimum \*  
(encastré complètement)



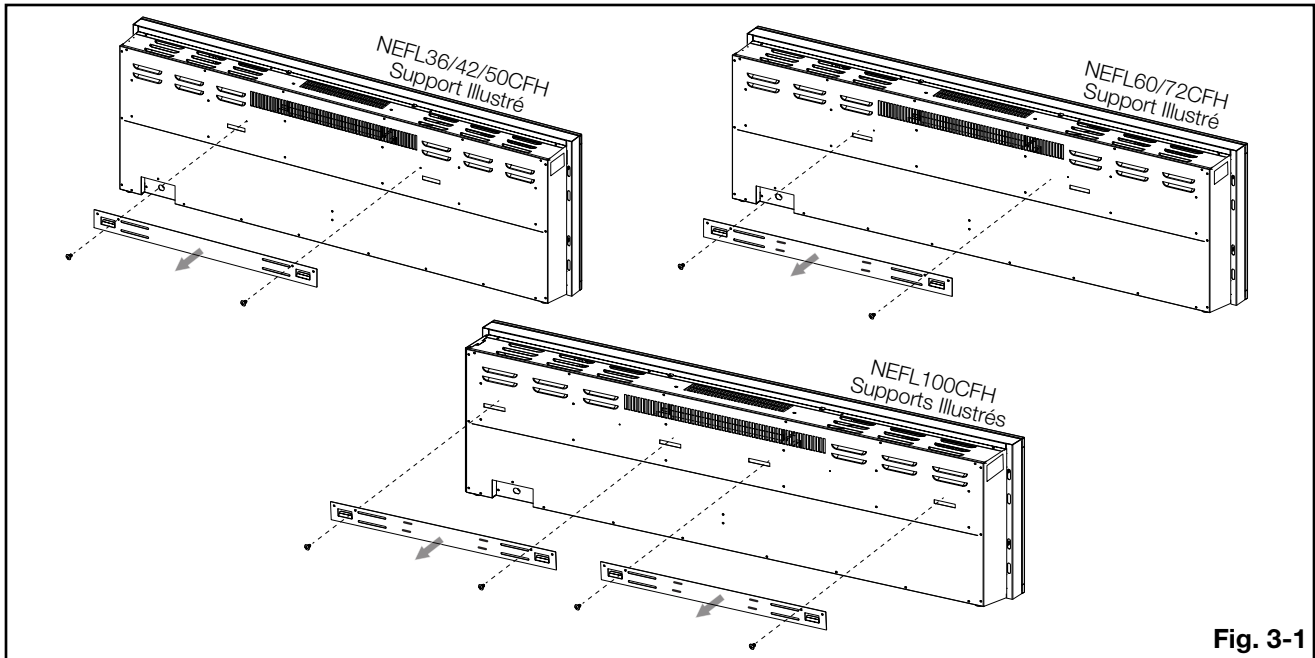
No. de Modèle	A
NEFL36CFH	35 1/8" (892mm)
NEFL42CFH	40 7/8" (1038mm)
NEFL50CFH	48 7/8" (1241mm)
NEFL60CFH	58 7/8" (1495mm)
NEFL72CFH	70 7/8" (1800mm)
NEFL100CFH	98 7/8" (2511mm)

\* Inclus les matériaux de finitions.



## 3.3 installation de montage murale

En raison de trop de matériels finis différentes utilisés sur les murs, il est extrêmement recommandé que vous consultez votre constructeur local avant que vous installiez cet appareil sur le mur.

- A. Choisissez un endroit non sujet à l'humidité et situé au moins 36" (94,1cm) des articles combustibles, tels que les rideaux, les meubles, la literie, le papier, etc.
- B. Retirez le verre avant (voir la section « enlèvement / installation du verre avant »).
- C. Demandez à deux personnes de tenir l'appareil contre le mur pour déterminer l'emplacement final.
- D. Placez l'appareil face vers le bas sur une surface doux et non-abrasif. Retirez le support de l'arrière de l'appareil en retirant les vis (**Fig. 3-1**). Mettez de côté les supports et jetez les vis.

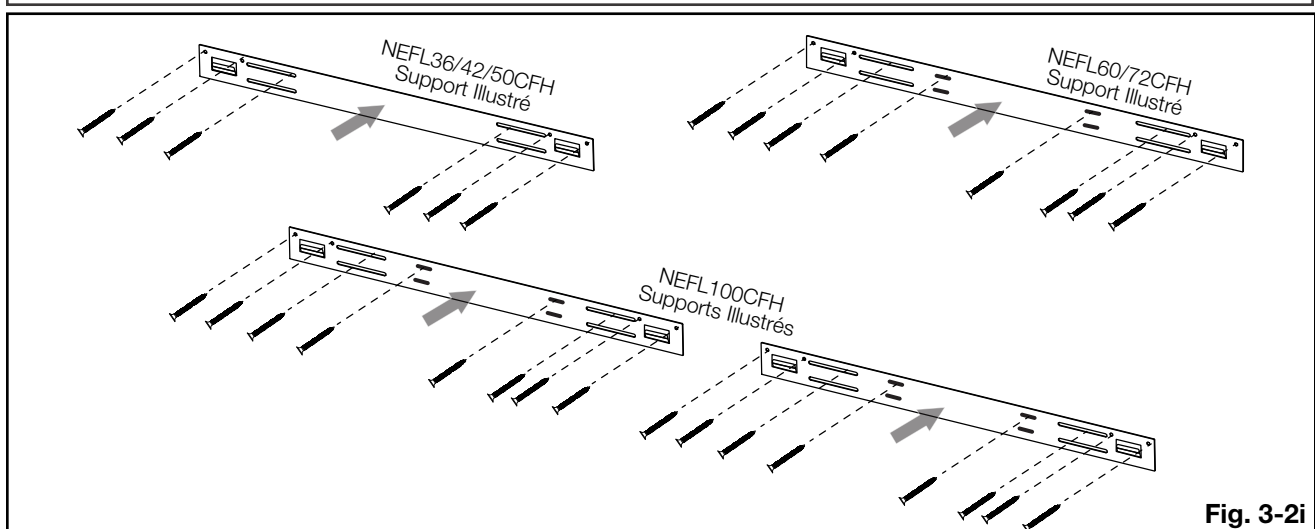

**Fig. 3-1**

- E. Marquez l'emplacement, puis montez le support de montage murale sur le mur à l'aide des vis (fournies). Les crochets DOIT face vers le haut et le support doit être niveau (**Fig. 3-2i et Fig. 3-2ii, prochaine page**).

+		<b>A x 6 for NEFL36/42/50CFH</b>	<b>A x 8 for NEFL60/72CFH</b>	<b>A x 16 for NEFL100CFH</b>
+		<b>B x 6 for NEFL36/42/50CFH</b>	<b>B x 8 for NEFL60/72CFH</b>	<b>B x 16 for NEFL100CFH</b>

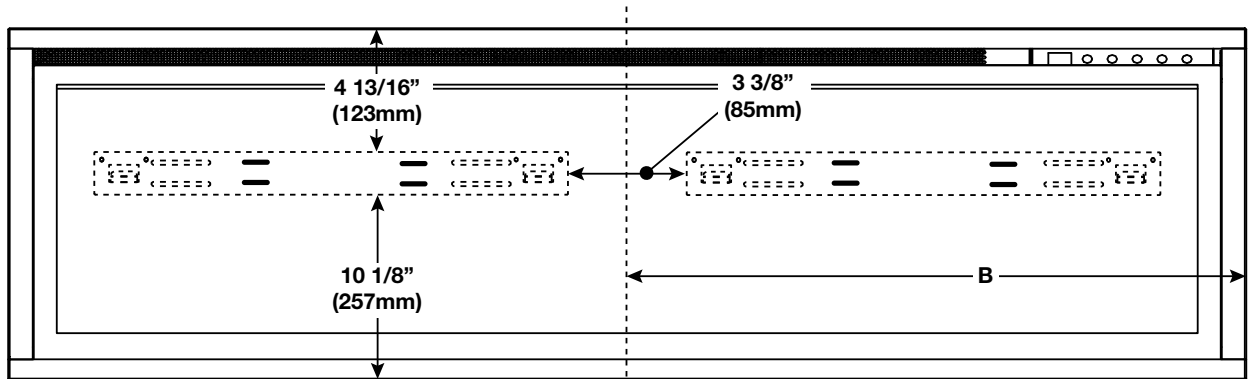
**note:**

Il est fortement recommandé que le support de montage est vissé dans les poteaux mural si possible. Si les poteaux mural ne peuvent pas être utilisés, assurez-vous d'utiliser les ancrages plastique d'apposer le support au mur et que le support est sécurisé correctement.


**Fig. 3-2i**

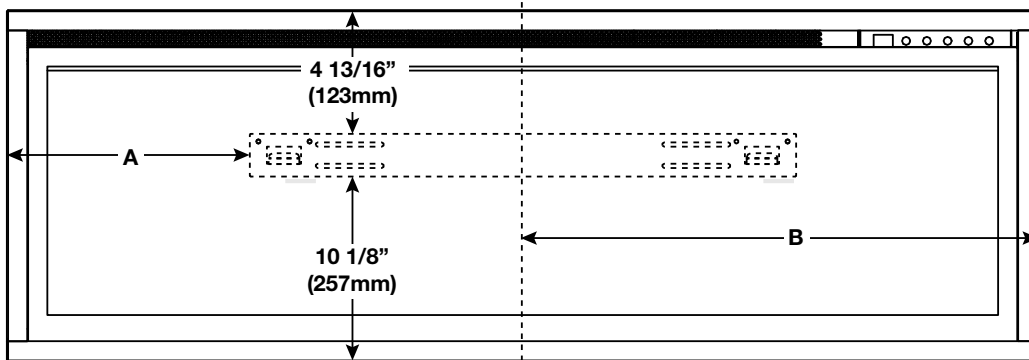
# installation

FR



NEFL100CFH support illustré.  
L'installation peut différer par la taille de l'appareil.

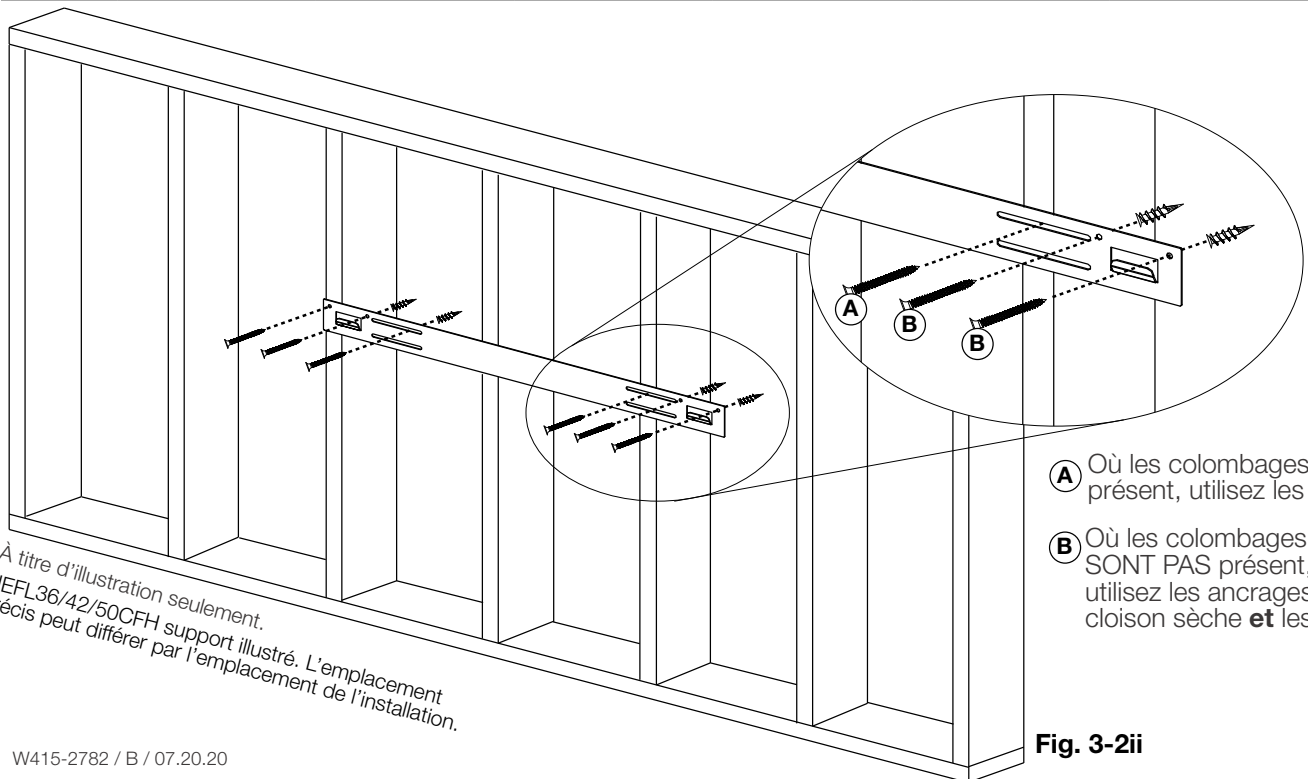
Centre



NEFL36/42/50CFH support illustré. L'installation peut différer par la taille de l'appareil.

Centre

Ref.	NEFL36CFH	NEFL42CFH	NEFL50CFH	NEFL60CFH	NEFL72CFH	NEFL100CFH
<b>A</b>	5 3/8" (137mm)	8 1/4" (210mm)	12 1/4" (311mm)	8 3/4" (223mm)	14 3/4" (375mm)	6" (153mm)
<b>B</b>	18" (457mm)	20 7/8" (530mm)	24 13/16" (631mm)	14 3/4" (758mm)	35 7/8" (911mm)	49 13/16" (126mm)

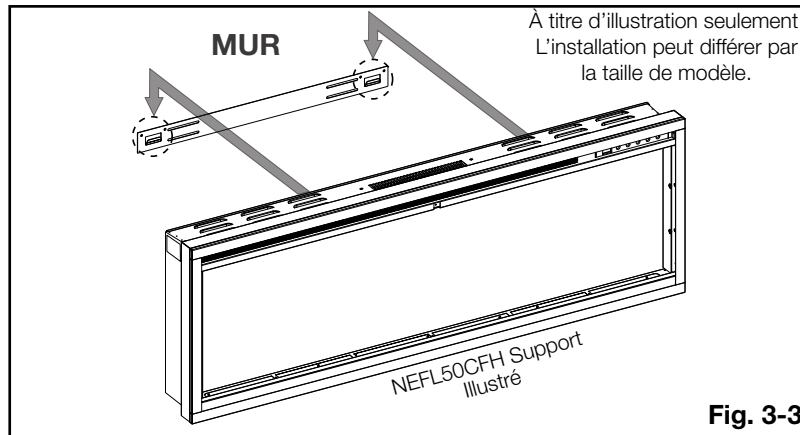


- A** Où les colombages sont présent, utilisez les vis.
- B** Où les colombages NE SONT PAS présent, utilisez les ancrages de cloison sèche **et** les vis.

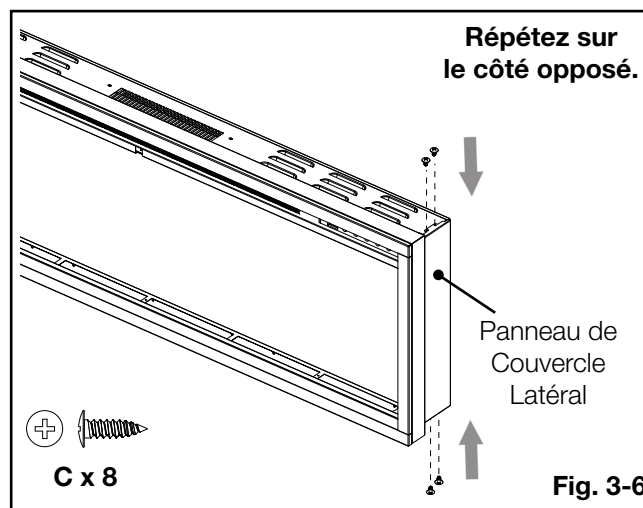
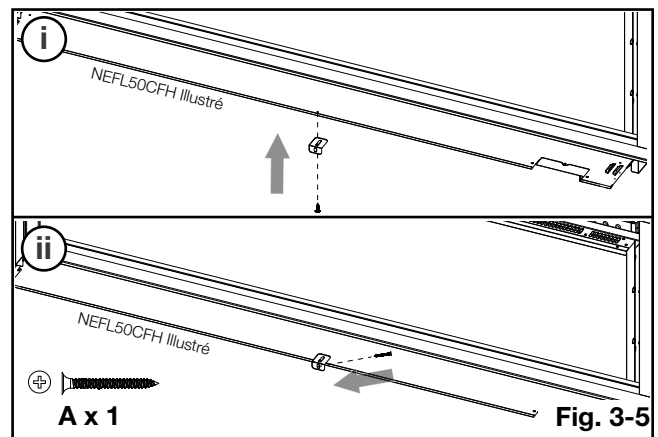
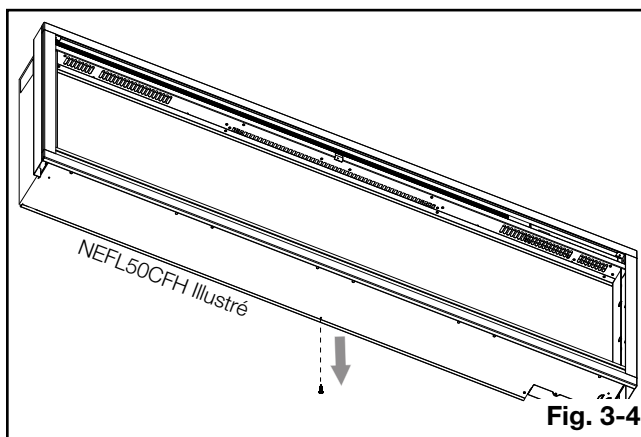
Fig. 3-2ii

À titre d'illustration seulement.  
NEFL36/42/50CFH support illustré. L'emplacement précis peut différer par l'emplacement de l'installation.

- F. Avec le support de montage murale installé, demandez à deux personnes de soulever l'appareil et insérez les crochets sur le support dans les fentes à l'arrière de l'appareil (**Fig. 3-3**).



- G. Vérifiez la stabilité de l'appareil. Assurez-vous que le support ne se détachera pas du mur.  
 H. Retirez la vis blanche du bas de l'appareil (**Fig. 3-4**).  
 I. Fixez le support inférieur à l'appareil en utilisant la vis blanche précédemment retirée en étape H, puis fixez le support inférieur au mur en utilisant la vis fournie (**Fig. 3-5**).  
 J. Si souhaité, installez les panneaux de couvercles latéraux afin de cacher les côtés de l'appareil (**Fig. 3-6**).



- K. Installez le média (voir la section « installation de braise en cristal »).  
 L. Installez encore le verre avant (voir la section « enlèvement / installation du verre avant »).

# installation

FR

## 3.4 installation d'encasté

En raison de trop de matériels finis différentes utilisés sur les murs, il est extrêmement recommandé que vous consultiez votre constructeur local avant que vous installez cet appareil sur le mur.

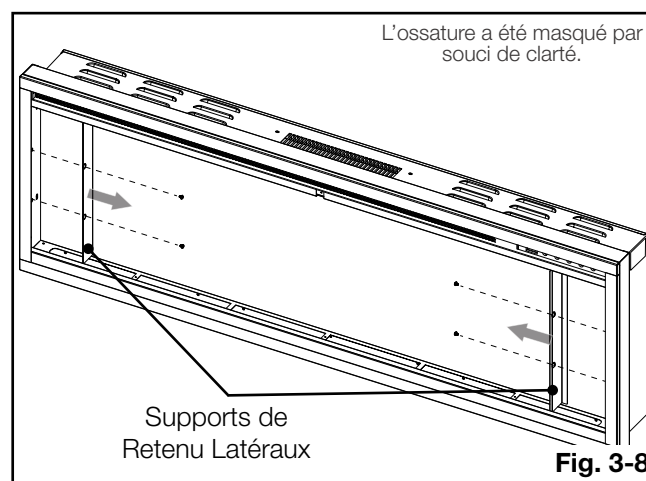
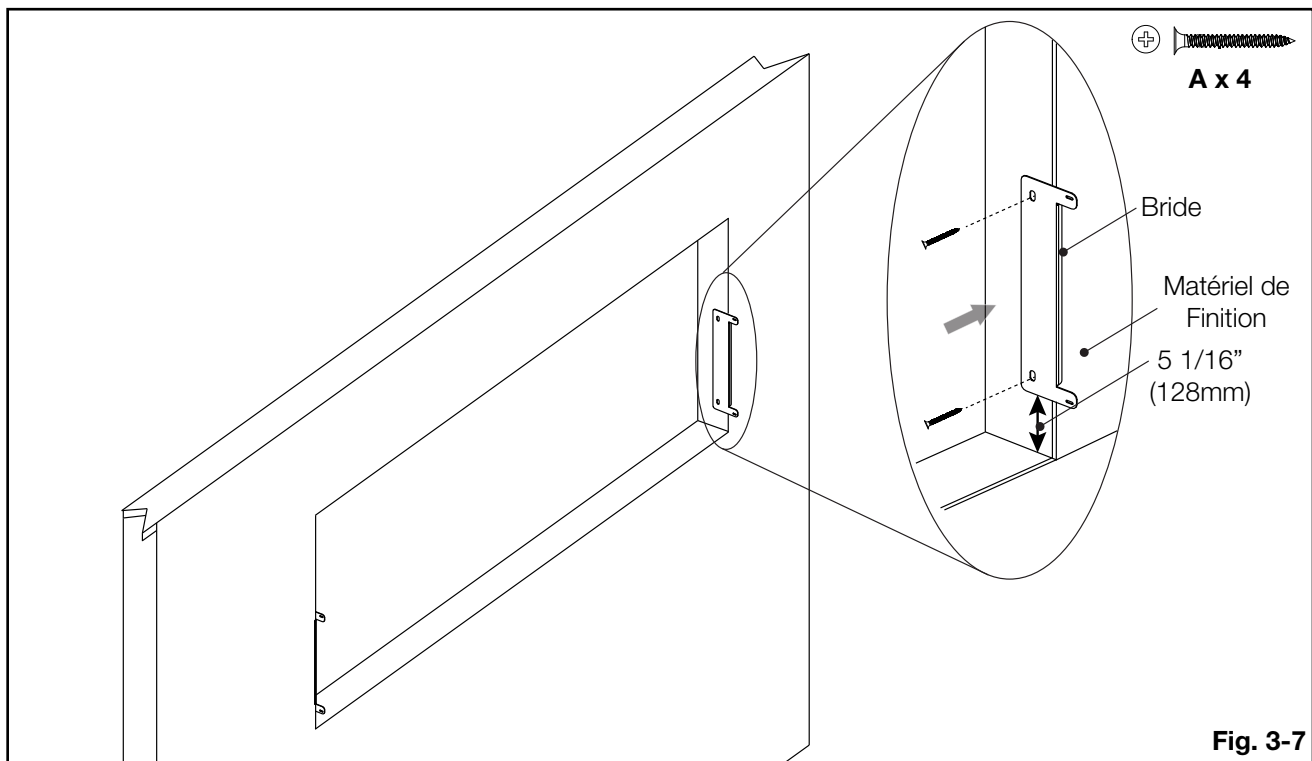
### note:

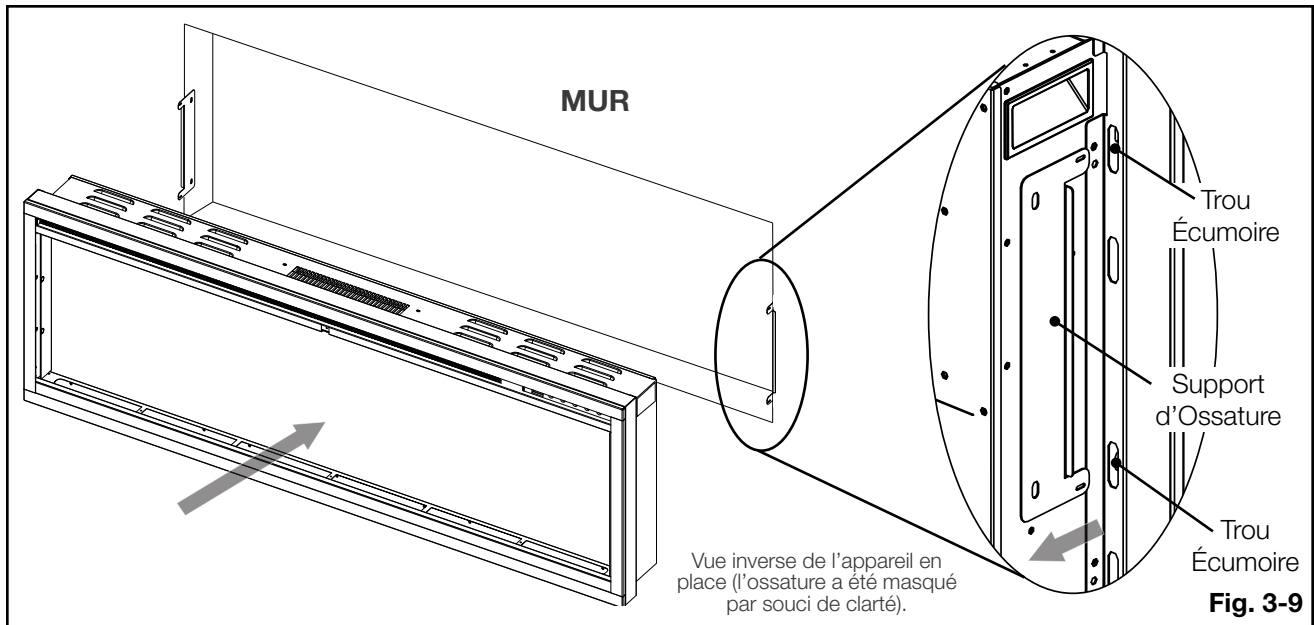
Afin d'éviter la possibilité d'isolation exposé ou la barrière de vapeur qui entre en contact avec le corps de l'appareil, il est recommandé que les murs de l'enceinte de l'appareil aient « fini » (c.à.d. cloison sèche). Ceci garantira que le dégagement aux combustibles est maintenu.

- A. Choisissez un endroit non sujet à l'humidité et situé au moins 36" (94,1cm) des articles combustibles, tels que les rideaux, les meubles, la literie, le papier, etc.
- B. Voir les dimensions d'ossature et créez un cadre approximatif avec une source d'alimentation (voir la section « ossature »).
- C. Retirez le(s) support(s) de montage murale.
- D. Retirez le verre avant (voir la section « enlèvement / installation du verre avant »).
- E. Soulevez l'appareil afin d'assurer qu'il va tenir dans le cadre.

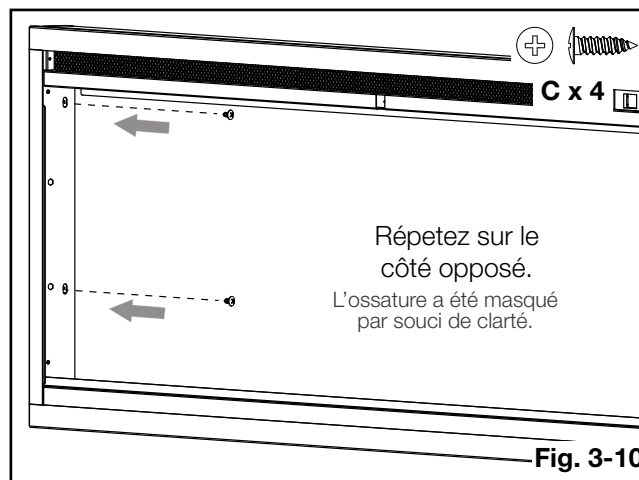
### 3.4.1 installation d'encasté partiellement

- A. Installez les supports d'ossature en alignant la bride sur le matériel de finition, et 5 1/16" (128mm) du bas de l'ouverture du cadre (**Fig. 3-7**).
- B. Retirez les supports de retenu latéraux en retirant les vis de l'intérieur de l'appareil (**Fig. 3-8**).





- C. Retirez le cordon d'alimentation et complétez le branchement par câble (voir la section « branchement par câble »).
- D. Insérez l'appareil dans l'ossature approximatif, et assurez-vous que les supports d'ossature tiennent dans les trous écumeire de la garniture latérale (**Fig. 3-9**).



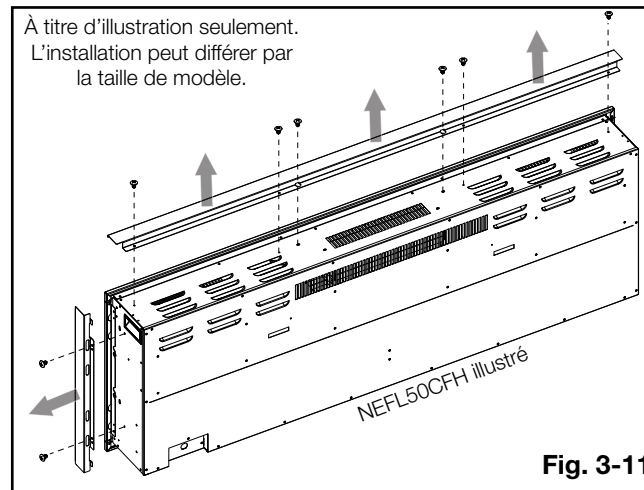
- E. Fixez les deux vis (fournies) à travers les deux trous écumeire sur chaque côté de l'appareil avec les supports d'ossature (**Fig. 3-10**).
- F. Installez encore les supports de retenu latéraux précédemment retirés en étape B.
- G. Installez le média (voir la section « installation de braise en cristal »).
- H. Installez encore le verre avant (voir la section « enlèvement / installation du verre avant »).

# installation

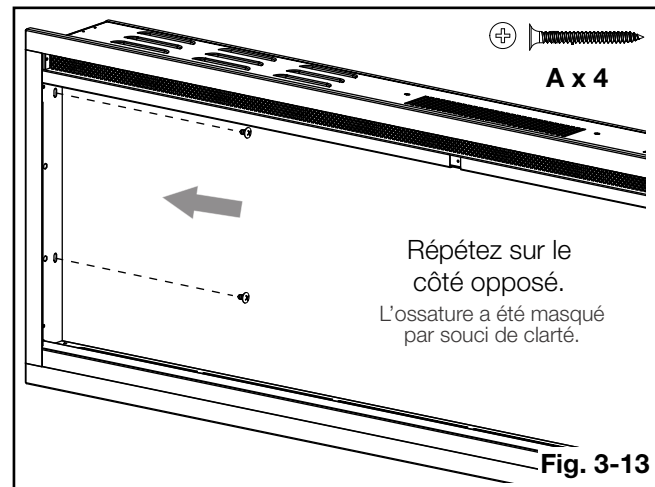
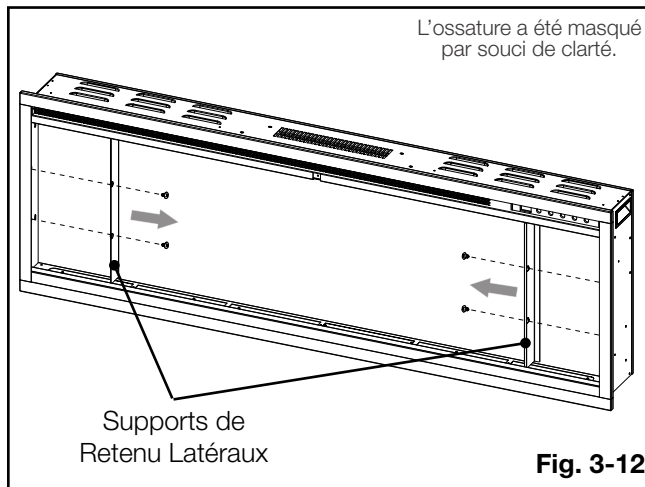
FR

## 3.4.2 installation d'encasté complètement

- A. Retirez les garnitures latéraux et supérieures (**Fig. 3-11**).
- B. Retirez le cordon d'alimentation et complétez le branchement par câble (voir la section « branchement par câble »).



- C. Retirez le supports de retenu latéraux en retirant les vis de l'intérieur de l'appareil (**Fig. 3-12**). Installez encore les vis après les retirant de la garniture extérieur.
- D. Insérez l'appareil dans l'ossature approximatif.
- E. Fixez deux vis (fournies) au colombage à travers les deux trous écumoire de chaque côté de l'appareil (**Fig. 3-13**).



- F. Reinstall side holding brackets.
- G. Install media (see “crystal ember installation” section).
- H. Reinstall front glass (see “glass removal / installation” section).



## 4.1 branchement par câble

### ⚠ WARNING

- Coupez l'alimentation électrique à l'appareil et laissez-le refroidir avant d'effectuer un entretien. Seul un technicien de service qualifié peut effectuer l'entretien ou la réparation de cet appareil électrique.

#### Branchement par Câble

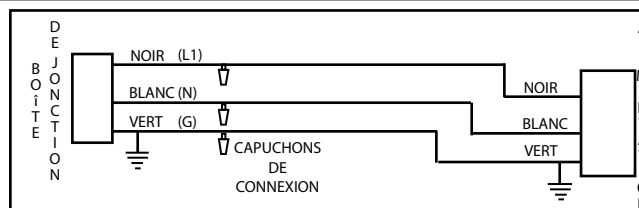
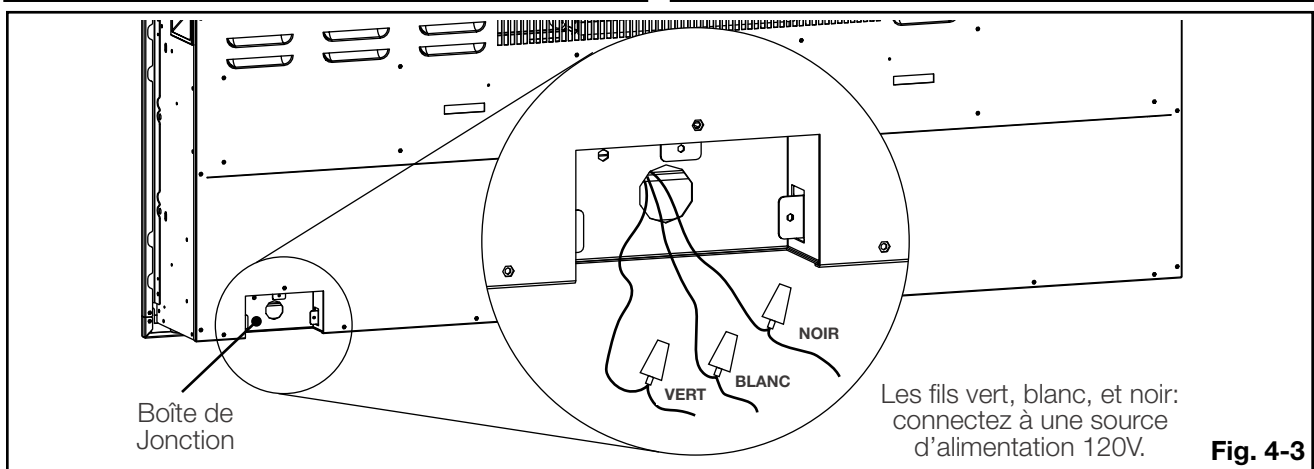
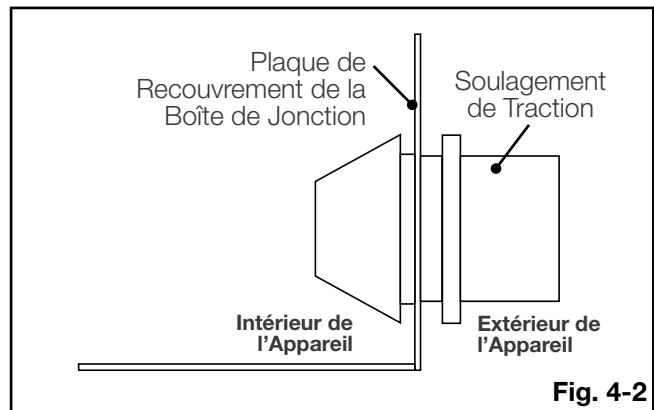
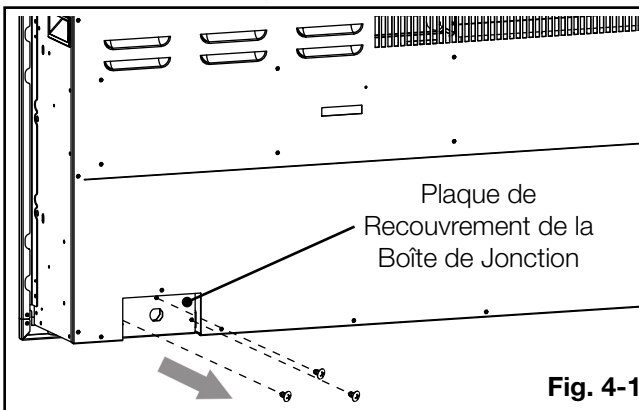
Si c'est nécessaire de faire un branchement par câble, un électricien peut retirer le cordon d'alimentation de l'appareil et brancher ce dernier directement au câblage de la maison. Le circuit dédié et de l'alimentation électrique doit être évalué à 120V minimum 15 ampères.

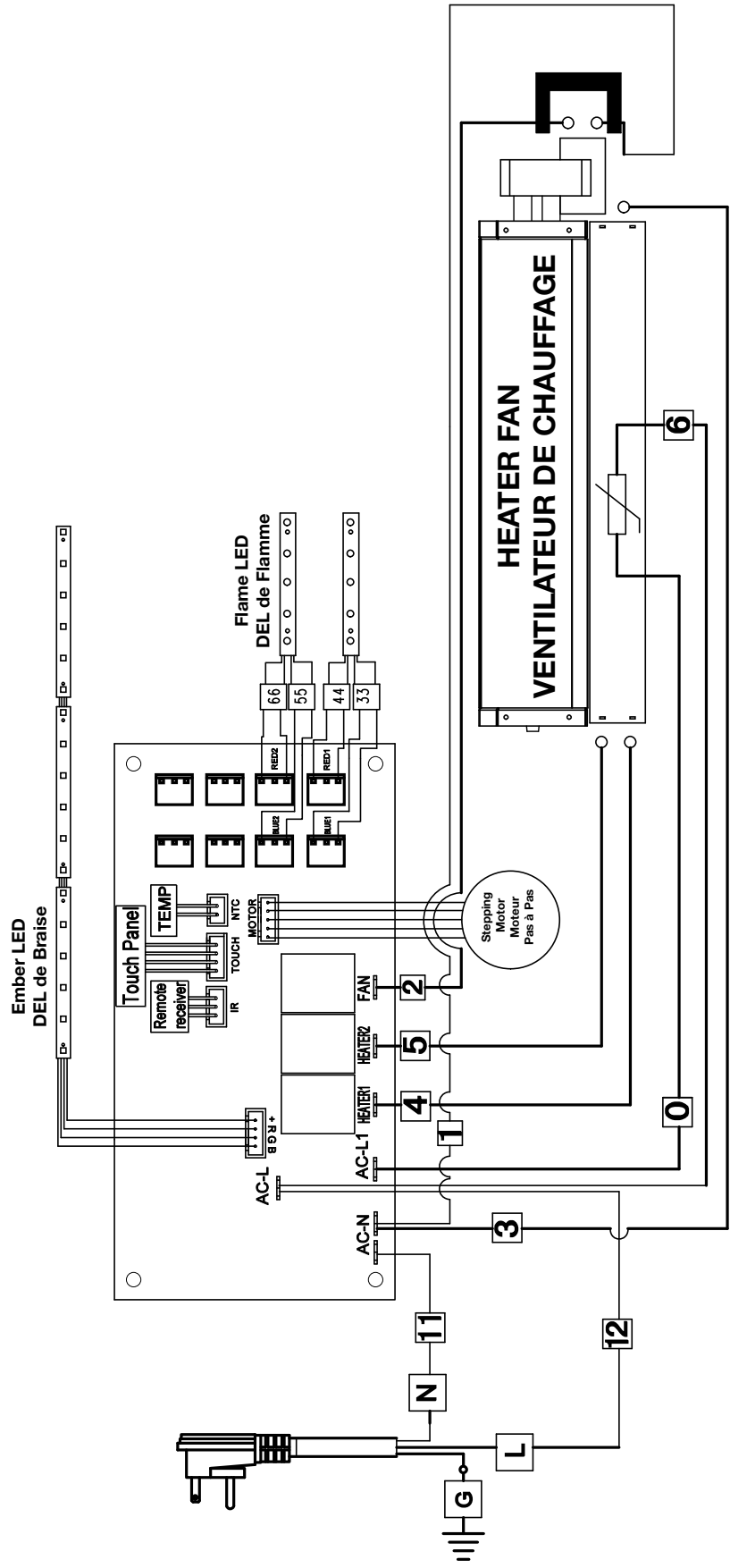
Cet appareil doit être raccordé électriquement et mis à la terre conformément aux codes locaux. En l'absence de tels codes, utilisez le version courante de Code Canadien de l'Électricité CSA C22.1 au Canada ou du National Electrical Code ANSI/NFPA 70 aux États-Unis.

#### note:

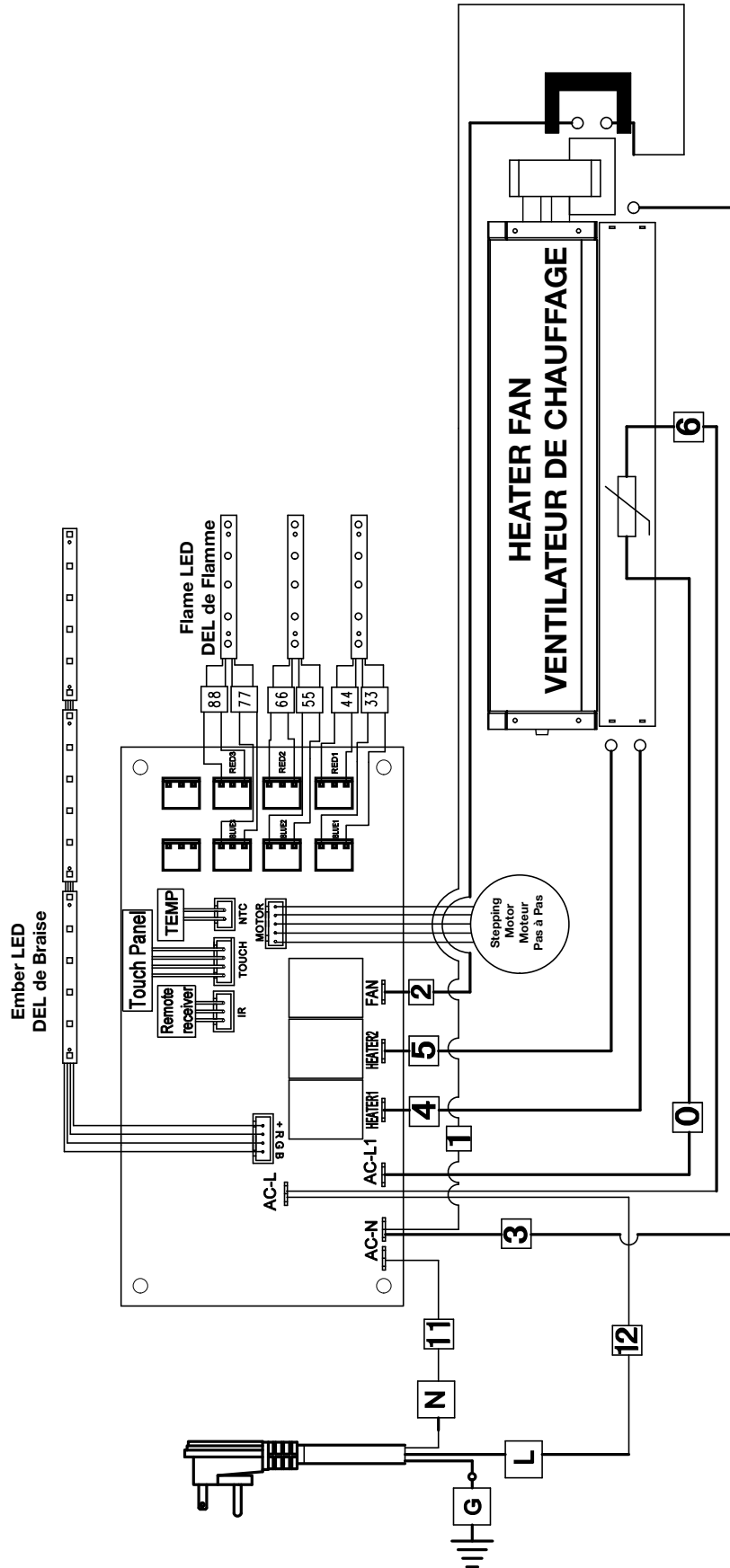
Il y a 3 vis du jonction de l'appareil: blanc (neutre), noir (alimentation L1), et vert (terre) qui branchent à la source d'alimentation 120V (panneau d'interruption). Voir ci-dessous.

- Retirez les 3 vis de retenues de la plaque de recouvrement de la boîte de jonction, située sur le côté gauche inférieur de l'appareil (**Fig. 4-1**).
- Installez le soulagement de traction à la plaque de recouvrement de la boîte de jonction (située dans l'ensemble de quincaillerie) (**Fig. 4-2**).
- Séparez les fils noirs, blancs, et verts qui ont les connecteurs de fils sur eux.
- Retirez tous les connecteurs de fils. Connectez le fil vert (G) au fil de terre, le fil blanc (N) au fil Neutre de la source d'alimentation, et le fil noir (L) au fil de la source d'alimentation L1 (**Fig. 4-3**).
- Fixez encore la plaque de recouvrement de la boîte de jonction en utilisant les 3 vis précédemment retirées en étape A.



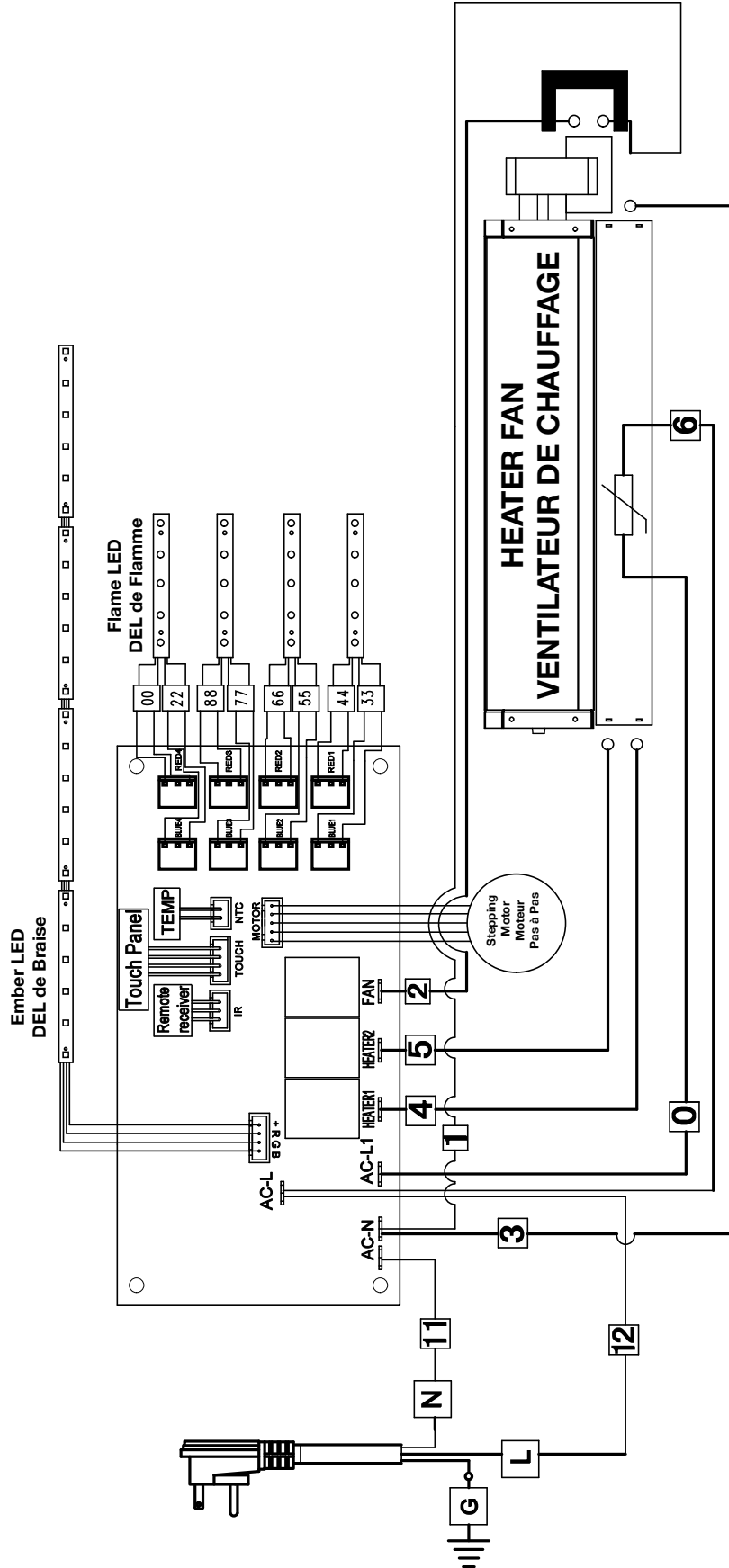


4.3 schéma de câblage (NEFL42CFH)

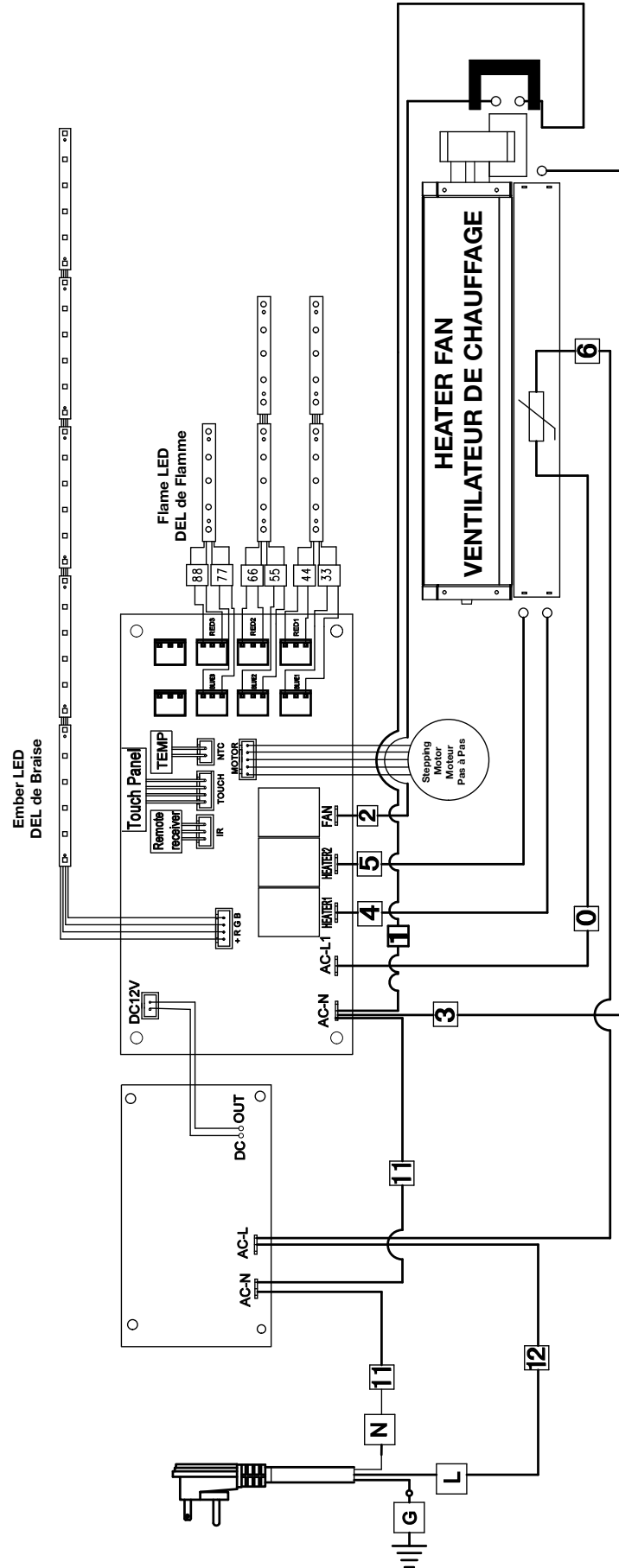


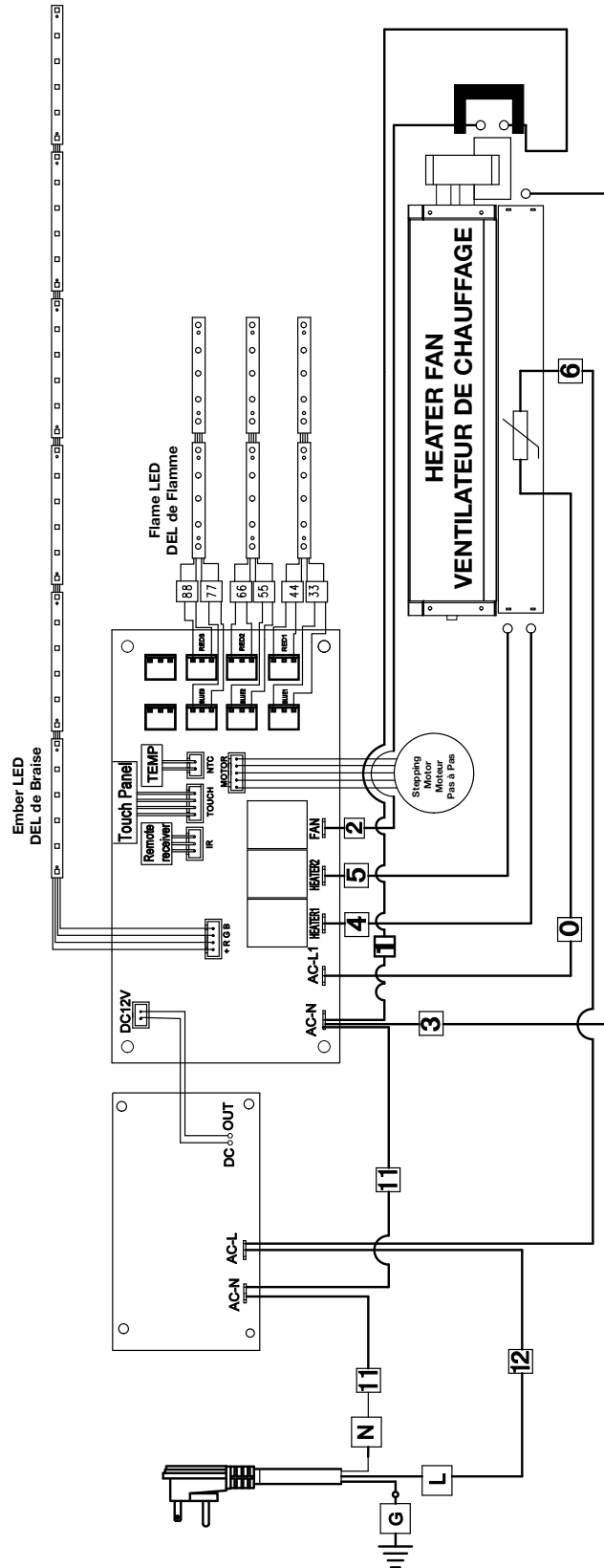
# information électrique

## FR 4.4 schéma de câblage (NEFL50CFH)

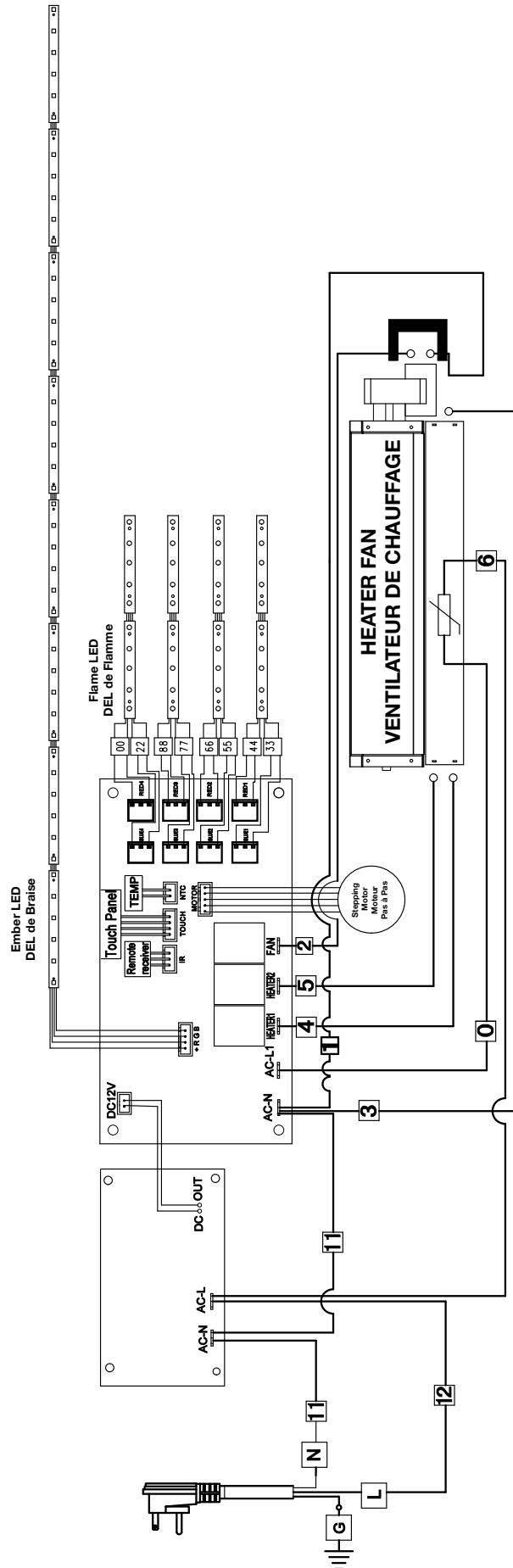


4.5 schéma de câblage (NEFL60CFH)





4.7 schéma de câblage (NEFL100CFH)



## 5.0 finitions

FR

### **! AVERTISSEMENT**

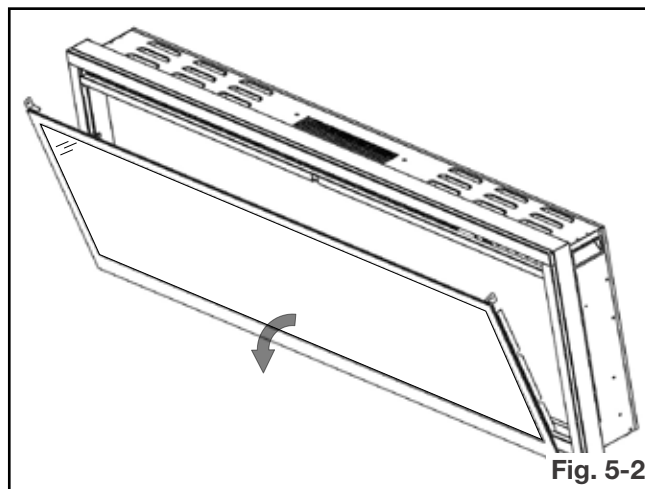
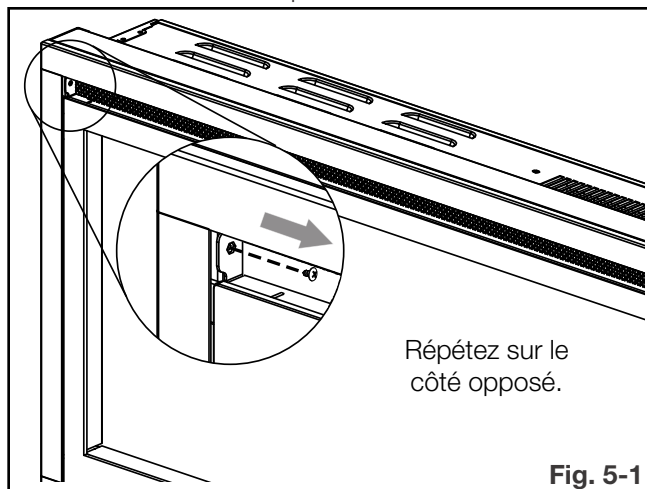
- Le raccordement par câble doit être complété avant la finition afin d'éviter toute reconstruction.
- Les entrées d'air et les sorties d'air de l'appareil ne doivent jamais être couvertes.

### 5.1 enlèvement / installation du verre avant

**note:**

Il est recommandé d'avoir deux personnes retirent et installent le verre avant.

- Retirez les deux vis servant à tenir les supports de retenus du verre en place (**Fig. 5-1**). Mettez de côté les vis.
- Retirez le verre avant, en le plaçant face vers le bas sur une surface douce et non-abrasive (**Fig. 5-2**).
- Inversez ces étapes d'installer le verre avant.



### 5.2 installation de braise en cristal

Le verre avant doit être enlevé et l'appareil doit être monté dans son emplacement final avant d'installer les cristaux.

- Placez la bande du lit de braise en position.
- Appliquez une couche uniforme des cristaux petites le long du plateau à média et placez les cristaux moyennes dans l'emplacement souhaité.
- Installez le verre avant.





## 6.0 instructions de fonctionnement

FR

Une fois que l'appareil est branché dans une prise de courant mise à la terre ou câblé d'une source d'alimentation dédié 120V, il est prêt à fonctionner.

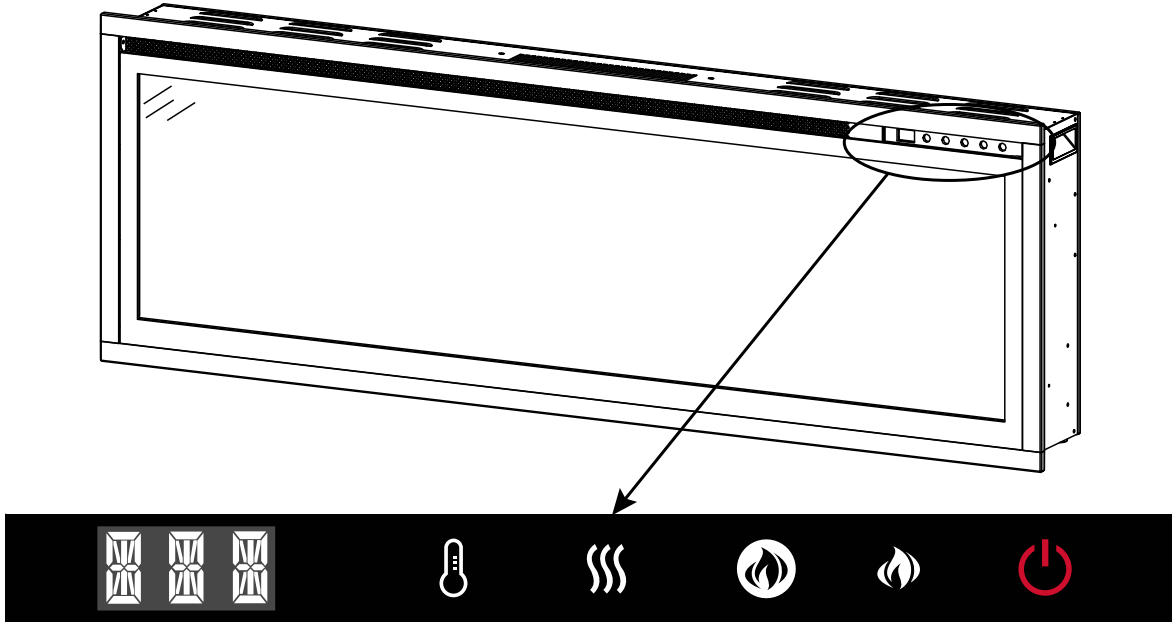
### note:

Assurez-vous que les disjoncteurs de la maison pour la source d'alimentation sont allumés. Lors une panne de courant, l'appareil va perdre sa fonction de mémoire et va réinitialiser à la mode d'usine une fois que l'alimentation revient.

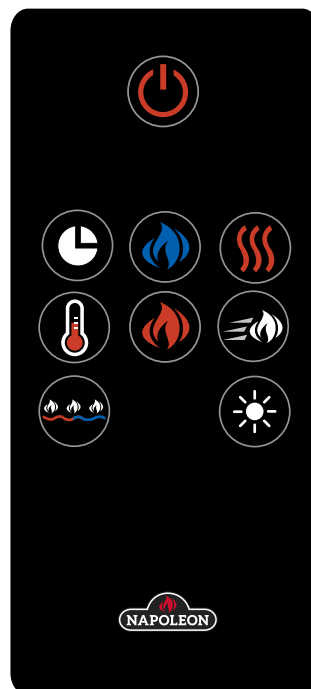
### 6.1 bouton d'alimentation principal

Le bouton d'alimentation principal est situé au coin supérieur droit, au dessus du panneau en verre.

### 6.2 fonctionnement du panneau d'affichage et de la télécommande









Panneau d’Affichage






Télécommande

# instructions de fonctionnement

FR

<p><b>Alimentation</b></p>		<p>Allume / éteint l'appareil.</p>
<p><b>Flamme Bleu</b></p>		<p>Contrôle la luminosité de la flamme bleu.</p> <p><b>Réglages:</b>            BF4 - Flamme la plus brillante            BF3 - Flamme brillante            BF2 - Flamme faible            BF1 - Flamme la plus faible            BF0 - Flamme éteint</p>
<p><b>Flamme Orange</b></p>		<p>Contrôle la luminosité de la flamme orange.</p> <p><b>Réglages:</b>            OF4 - Flamme la plus brillante            OF3 - Flamme brillante            OF2 - Flamme faible            OF1 - Flamme la plus faible            OF0 - Flamme éteint</p>
<p><b>Couleur de Lit de Braise</b></p>		<p>Contrôle les réglages de la lumière du lit de braise.</p> <p><b>Réglages:</b>            L-1 - Rouge            L-2 - Jaune            L-3 - Vert            L-4 - Bleu            L-5 - Orange            L-6 - Violet            L-7 - Cycle automatiquement            L-8 - Verrouille la couleur souhaitée pendant le cycle</p>
<p><b>Luminosité de Lit de Braise</b></p>		<p>Contrôle la luminosité de la lumière du lit de braise.</p> <p><b>NOTE:</b> Si la couleur du lit de braise est réglée à L-7, la luminosité du lit de braise ne peut pas être changée.</p> <p><b>Réglages:</b>            B-5 - Disparaît par intermittence            B-4 - La plus brillante            B-3 - Brillante            B-2 - Faible            B-1 - Le plus faible            B-0 - Éteint</p>
<p><b>Vitesse de Flamme</b></p>		<p>Contrôle la vitesse de la flamme.</p> <p><b>Réglages:</b> S-3, S-4, S-5, S-1, S-2</p>

<p><b>Chauffage</b></p>		<p>Éteint / allume le chauffage et ventilateur.</p> <p><b>Réglages:</b>                      H-0 - Chauffage et ventilateur éteint                      FAN - Ventilateur allume                      H-1 - Chaleur faible                      H-2 - Chaleur fort                      LOC - Verrouillage du chauffage et thermostat</p> <p><b>NOTE:</b> Appuyez et maintenez le bouton de chauffage pendant 5 secondes de verrouiller / déverrouiller le chauffage et thermostat. Le ventilateur a un retard de 10 seconds après que le chauffage est éteint afin de se débarrasser le chauffage résiduel.</p>
<p><b>Minuterie</b></p>		<p>Régle le minuterie.</p> <p><b>Réglage:</b>                      30M, 1Hr, 2Hr, 3Hr, 4Hr, 5Hr, 6Hr, 7Hr, 8Hr.</p> <p><b>NOTE:</b> L'affichage va montrer "---" après la fin des 9 réglages de la minuterie.</p>
<p><b>Contrôle de Température</b></p>		<p>Régle la température désirée.</p> <p><b>Réglages:</b>                      18°C (64°F), 19°C (66°F), 20°C (68°F), 21°C (70°F), 22°C (72°F), 23°C (74°F), 24°C (76°F), 25°C (78°), 26°C (80°F), 27°C (82°F), et OFF.</p> <p>Appuyez et maintenez le bouton pendant 5 secondes de changer la température de °C à °F et vice versa.</p>

## 7.0 entretien

FR

### **! AVERTISSEMENT**

- Coupez l'alimentation en gaz et l'alimentation électrique avant de procéder de l'appareil ou de le relocaliser. Tournez les contrôles à « OFF » et retirez la fiche de la prise de courant ou fermez le disjoncteur du circuit de votre appareil.
- Cet appareil nécessite un entretien qui devra être effectué sur un base annuelle.
- À l'aide d'un aspirateur muni d'une brosse souple, aspirez les saletés, les débris et les dépôts de carbone sur les contrôles et les ouvertures d'évents sur l'appareil.
- Pour les braises de verre, suivez les instructions de prénettoyage.
- Le verre avant peut être nettoyé avec un nettoyage de verre et en utilisant un chiffon non-abrasif (non fourni).

## 7.1 installation de la pile de la télécommande

### **! AVERTISSEMENT**

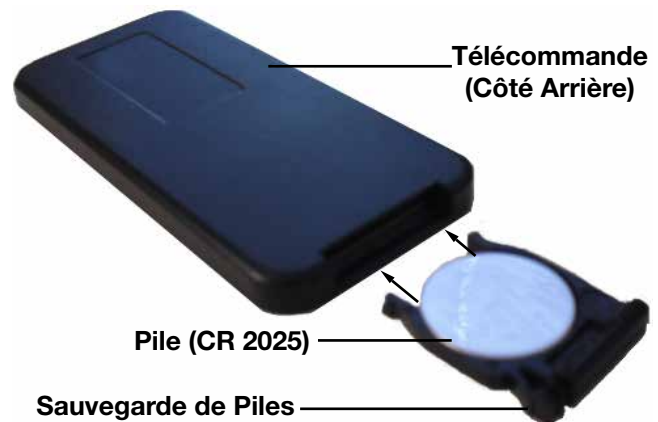
- Cette télécommande nécessite des piles bouton qui sont dangereuses pour les jeunes enfants.
- **AVERTISSEMENT - GARDEZ DES PILES DE LA PORTÉE DES ENFANTS!**
- L'ingestion peut entraîner des blessures graves ou la mort dans moins de 2 heures, en raison des brûlures chimiques et de la perforation potentielle de l'oesophage.
- Si vous pensez que votre enfant a avalé ou inséré une pile bouton, recherchez immédiatement une assistance médicale urgente.
- Examinez les appareils et assurez-vous que le compartiment de la pile est bien fixé (que la vis ou autre attache mécanique est serrée). N'utilisez pas si le compartiment n'est pas sécurisé.
- Éliminez les piles bouton usagées immédiatement et en toute sécurité. Les piles plates peuvent encore être dangereuses.
- Enseignez aux autres les risques associés aux piles bouton et la façon de garder leurs enfants en sécurité.



#### **note:**

Le télécommande dispose d'une languette en plastique amovible pour prolonger la durée de vie de la batterie pendant l'expédition. Retirez la languette de la télécommande pour fonctionner.

1. Pour remplacer la pile existante, retirez la sauvegarde de pile.
2. Pour retirer la sauvegarde de pile, tournez la télécommande sur le côté avant. Faites glissez la sauvegarde de piles vers l'extérieur.
3. Remplacez la sauvegarde de pile existante avec une piles nouvelle (type CR 2025). Faites glissez la sauvegarde de pile dans sa position originale.
4. La sauvegarde de pile est bien fixé à la télécommande lorsque vous entendez un « CLIC ».



#### **note:**

Cette télécommande doit rester à moins de 5 mètres (17 pieds) de l'appareil pour être efficace. Cette plage peut être réduite lorsque l'énergie de la pile est épuisée.



Les piles doivent être mises au rebut conformément aux lois et à la réglementation locales. Certaines piles peuvent être recyclées et acceptées dans votre centre de recyclage local. Renseignez-vous auprès de votre municipalité au sujet des directives de recyclage.

### **AVERTISSEMENT**

- Omettre de positionner les pièces conformément à ce manuel ou d'utiliser uniquement des pièces spécifiquement approuvées pour cet appareil peut causer des dommages matériels ou des blessures corporelles.

Contactez votre détaillant pour les questions concernant les prix et la disponibilité des pièces de remplacement. Normalement, toutes les pièces peuvent être commandées chez votre détaillant autorisé.

**Pour un remplacement de pièce sous garantie, une photocopie de la facture originale sera requise afin de pouvoir honorer la demande.**

Lorsque vous commandez des pièces, donnez toujours l'information suivante:

- Modèle et numéro de série de l'appareil
- Date d'installation de l'appareil
- Numéro de la pièce
- Description de la pièce
- Fini

**Pièces, numéro des pièces et s'il soit disponible peut changer sans préavis.**

**Parties identifiées comme garnie seront livrés dans 2 à 5 jours pour la plupart des destinations de livraison.**

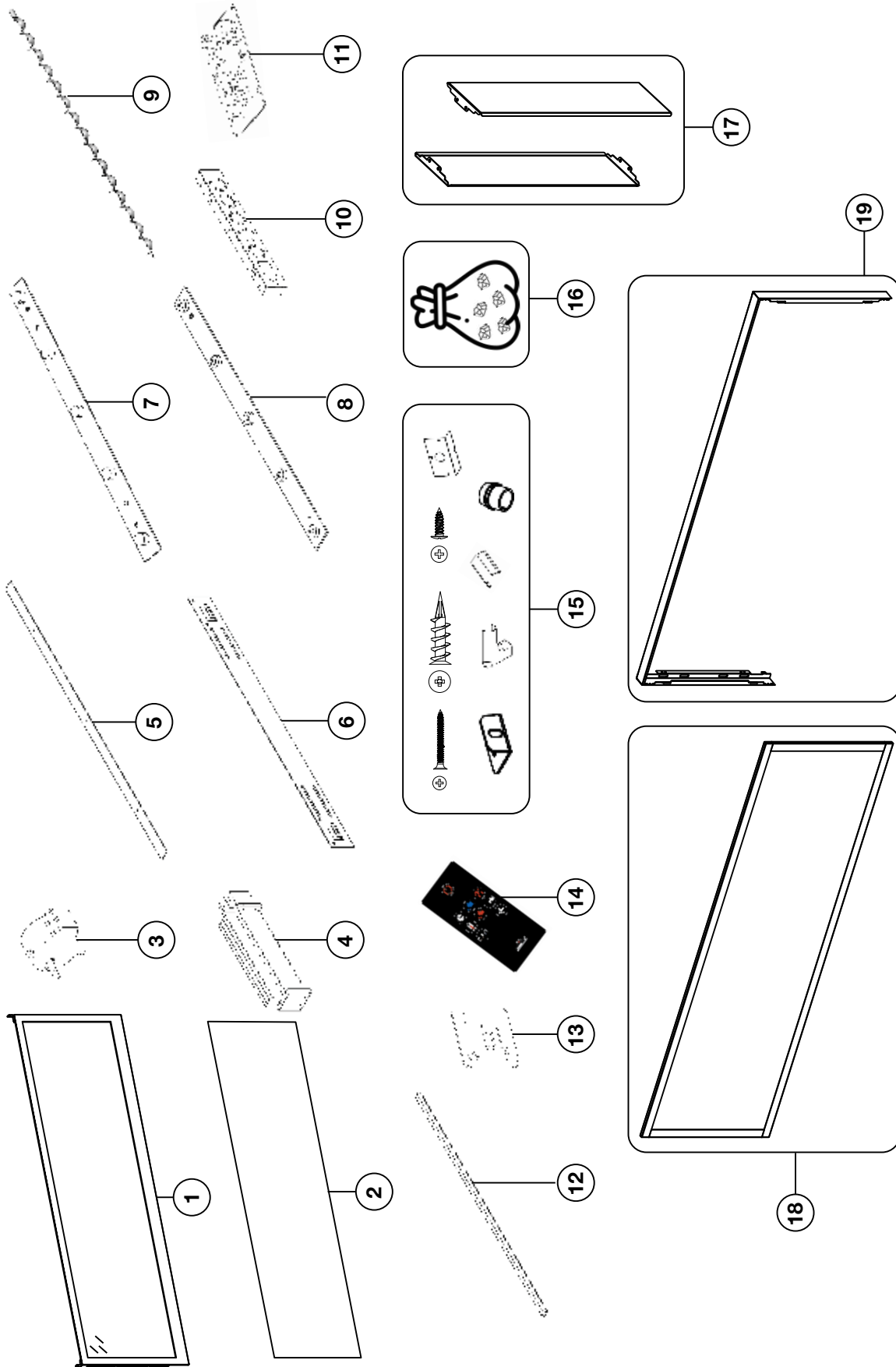
**Pièces non identifiées que stockés seront livrés dans un délai de 2 à 4 semaines pour la plupart des cas.**

**Pièces identifiées comme « SO » sont commande spéciale et peuvent prendre jusqu'à 90 jours pour la livraison.**

# pièces de rechange

FR

## 8.1 vue d'ensemble NEFL36/42/50/60/72/100CFH



Ces articles peuvent différer de ceux illustrés.

Réf.	Description	No. de Pièce						En Stock
		NEFL36CFH	NEFL42CFH	NEFL50CFH	NEFL60CFH	NEFL72CFH	NEFL100CFH	
1	Verre Avant	W300-0318-SER	W300-0319-SER	W300-0320-SER	W300-0321-SER	W300-0322-SER	W300-0323-SER	Oui
2	Panneau en Plastique - Flamme	W565-0330-SER	W565-0331-SER	W565-0332-SER	W565-0333-SER	W565-0334-SER	W565-0335-SER	Oui
3	Moteur Pas à Pas	W435-0090-SER						Oui
4	Assemblage de Chauffage et Ventilateur	W010-4732-SER						Oui
5	Bande Plastique - Lit de Braise	W497-1611-SER	W497-1612-SER	W497-1613-SER	W497-1614-SER	W497-1615-SER	W497-1616-SER	Oui
6	Support de Montage Murale	W080-1616-SER			W080-1621-SER			Oui
7	DEL - Lumière de Flamme	W405-0033-SER			W405-0037-SER + W405-0033-SER			Oui
8	DEL - Lumière de Braise	W405-0086-SER						Oui
9	Réflecteur	W010-4733-SER	W010-4734-SER	W010-4735-SER	W010-4736-SER	W010-4737-SER	W010-4738-SER	Oui
10	Panneau de Contrôle avec Récepteur à Distance	W190-0183-SER						Oui
11	Planche Principale PCB	W190-0184-SER			W190-0185-SER			Oui
12	Couvercle de Cordon	W200-0572-SER						Oui
13	Thermostat	W690-0021-SER						Oui
14	Télécommande	W190-0182-SER						Oui
15	Ensemble de Quincaillerie	W370-0209-SER			W370-0210-SER		W370-0211-SER	Oui
16	Cristaux Acryliques	W497-1617-SER	W497-1618-SER	W497-1619-SER	W497-1620-SER	W497-1621-SER	W497-1622-SER	Oui
17	Panneaux Latéraux	W475-6220-SER						Oui
18	Garniture Supérieure et Latérale	W715-1236-SER	W715-1237-SER	W715-1238-SER	W715-1239-SER	W715-1240-SER	W715-1241-SER	Oui
19	Garniture Avant	W715-1242-SER	W715-1243-SER	W715-1244-SER	W715-1245-SER	W715-1246-SER	W715-1247-SER	Oui

## 9.0 guide de dépannage

FR

### AVERTISSEMENT

- Coupez l'alimentation électrique à l'appareil et laissez-le refroidir avant d'effectuer un entretien. Seulement un technicien de service qualifié peut effectuer l'entretien ou la réparation de cet appareil électrique.

symptôme	problème	solution
L'appareil ne s'allume pas lorsque l'interrupteur est mis à « on ».	L'appareil n'est pas branché dans une prise de courant.	Vérifiez la prise, et branchez dans l'appareil si nécessaire.
	Branchement par câble sont incorrectes.	Voir la section « branchement par câble ».
	L'appareil a surchauffé et le dispositif de sécurité a entraîné le déclenchement de l'interrupteur thermique.	Débranchez l'appareil et le disjoncteur, laissez-le refroidir pendant 15 minutes, puis branchez l'appareil ou allumez le disjoncteur.
	Issue avec le panneau PCB principal.	Inspectez la carte de circuit imprimé et remplacez-le si nécessaire.
L'appareil s'éteint et ne se rallume pas.	Le disjoncteur de la maison s'est déclenché.	Réinitialisez le disjoncteur.
	Le fusible de l'appareil a éteint.	Remplacez le fusible.
	L'appareil a surchauffé et le dispositif de sécurité a entraîné le déclenchement de l'interrupteur thermique.	Débranchez l'appareil et le disjoncteur, laissez-le refroidir pendant 15 minutes, puis branchez l'appareil ou allumez le disjoncteur.
L'appareil est revenue à les paramètres par défaut.	Panne de courant.	Reprogramme l'appareil au paramètres d'origine (pas applicable avec tous les appareils).
La télécommande ne fonctionne pas.	Les piles sont faibles.	Remplacez les piles de la télécommande.
	Dysfonctionnement du récepteur à distance.	Assurez-vous que le récepteur à distance n'est pas bloqué. Remplacez le panneau.
L'appareil n'émet aucune chaleur.	Réglage du chauffage n'est pas sélectionné.	Voir la section « fonctionnement ».
	Le chauffage a été verrouillé.	Voir la section « fonctionnement ».
	La température ambiante est plus élevé que le réglage de l'appareil (si réglée au température de la chambre).	Réinitialisez le réglage pour la température.
	L'appareil a surchauffé et le dispositif de sécurité a entraîné le déclenchement de l'interrupteur thermique.	Débranchez l'alimentation ou éteignez le disjoncteur. Laissez l'appareil refroidir pendant 15 minutes.
	Branchement par câble sont incorrectes.	Voir la section « branchement par câble ».
	Problème avec le chauffage.	Inspectez la soufflerie and le chauffage, et les remplacez si nécessaire.
La chauffage s'éteint automatiquement.	La salle est trop chaude.	L'appareil est équipé d'un thermostat intégré et s'éteindra automatiquement lorsque la température programmée sera atteinte. Il s'allumera automatiquement lorsque la température de la pièce descendra en dessous de la température programmée.



symptôme	problème	solution
La luminosité du jeu de flammes est faible ou inexistante.	Éclat de flamme n'est pas sélectionné.	Voir la section « fonctionnement ».
	Problème avec les flamme DELs.	Vérifiez les DELs et remplacez-les si nécessaire.
	Problème avec le panneau PCB principal.	Vérifiez le panneau PCB principal et remplacez-le si nécessaire.
La flamme ne bouge pas.	Le moteur est calé / ne fonctionne pas	Cycle de marche / arrêt. Si le problème persiste, consultez votre détaillant.
Le lit de braises s'aillumine pas ou ne diminue pas en luminosité.	Luminosité n'est pas sélectionné.	Voir la section « fonctionnement ».
	Problème avec les DEL de braises.	Vérifiez les DEL de braises et remplacez-les si nécessaire.
	Problème avec le panneau PCB principal.	Vérifiez la panneau PCB principal et remplacez-le si nécessaire.
DEL clignote « OH ».	L'appareil a surchauffé et le dispositif de sécurité a entraîné le déclenchement de l'interrupteur thermique.	Débranchez l'appareil et le disjoncteur, laissez-le refroidir pendant 15 minutes, puis branchez l'appareil ou allumez le disjoncteur. Si le problème persiste, consultez votre détaillant.

# 10.0 garantie

FR

Les appareils électriques **Napoléon** sont fabriqués conformément aux normes strictes du Système de Gestion de la Qualité mondialement reconnu ISO 9001 : 2015.

Les produits **Napoléon** sont conçus avec des composants et des matériaux de qualité supérieure, assemblés par des artisans qualifiés qui sont fiers de leur travail. Une fois assemblé, chaque appareil est soigneusement inspecté par un technicien, une agence de service, ou un distributeur qualifié(e) ou autorisé(e) avant d'être emballé pour garantir que vous, le client, recevez le produit de qualité dont vous vous attendez de **Napoléon**.

## Garantie Prime Des Appareils Électriques Napoléon

Les composants électriques et les pièces soumises à l'usure sont couverts et **Napoléon** fournira gratuitement les pièces de rechange durant les première 2 années de la garantie prime. Ceci couvre: le ventilateur/l'appareil de chauffage, les moteurs, les interrupteurs, les roulements à billes en nylon, les télécommandes et les lumières de DEL.

Les ampoules et fusibles NE SONT PAS couvert par la garantie.

Dans la première année seulement, les coûts de main-d'oeuvre relatifs aux réparations garanties sont couverts.

\* La fabrication de chaque modèle varie. La garantie s'applique uniquement aux composants disponibles avec votre appareil spécifique.

## Conditions et Limitations

**Napoléon** garantit ses produits contre les défauts de fabrication à l'acheteur d'origine seulement. L'enregistrement de la garantie n'est pas nécessaire. Fournissez simplement une preuve d'achat ainsi que le modèle et le numéro de série afin d'effectuer une réclamation de garantie. L'achat doit avoir été fait par l'entremise d'un détaillant **Napoléon** autorisé et sous réserve des conditions et limitations suivantes:

La couverture de la garantie débute à partir de la date d'installation originale.

Cette garantie du fabricant n'est pas transférable et ne peut être prolongée par aucun de nos représentants.

L'installation doit être faite conformément aux instructions d'installation incluses avec le produit et à tous les codes d'incendie et de construction locaux et nationaux.

Cette garantie prime ne couvre pas les dommages causés par un mauvais usage, un manque d'entretien, un accident, des altérations, des abus, ou de la négligence, et l'installation de pièces d'autres fabricants annulera cette garantie.

Cette garantie prime ne couvre pas non plus les égratignures, les bossellements, la corrosion, ou la décoloration causée par une chaleur excessive, des produits d'entretien chimiques et abrasifs ou l'écaillage de pièces en porcelaine émaillée, le bris par manipulation des bûches PHAZER<sup>MD</sup>.

Au cours de les première 2 années seulement, cette garantie s'étend à la réparation ou au remplacement des pièces garanties dont les matériaux ou la fabrication sont défectueux à la condition que le produit ait été utilisé conformément aux instructions de fonctionnement et dans des conditions normales.

Après la première année, **Napoléon** ne sera pas responsable de l'installation, de la main d'œuvre, ou autres coûts ou dépenses relatives à la réinstallation d'une pièce garantie, et de telles dépenses ne sont pas couvertes par cette garantie.

Nonobstant toutes les dispositions contenues dans cette garantie limitée, la responsabilité de **Napoléon** sous cette garantie est définie comme ci-dessus, et elle ne s'étendra à aucun dommage accidentel, consécutif, ou indirect.

Cette garantie définit l'obligation et la responsabilité de **Napoléon** en ce qui concerne l'appareil électrique **Napoléon**.

Toute autre garantie énoncée ou implicite en ce qui concerne ce produit, ses composants ou accessoires est exclue.

**Napoléon** n'endosse, ni n'autorise aucun tiers à assumer en son nom, toutes autres responsabilités concernant la vente de ce produit.

Tous dommages causés à l'appareil, aux garnitures en laiton ou autres composants par l'eau, les dommages causés par les intempéries, de longues périodes d'humidité, la condensation, des produits chimiques, ou produits d'entretien nuisibles ne seront pas la responsabilité de **Napoléon**.

**Napoléon** se réserve le droit de demander à son représentant d'inspecter tout produit ou pièce avant d'honorer toute réclamation.

Toutes les pièces remplacées en vertu de la politique de la Garantie Prime ne peuvent faire l'objet que d'une seule réclamation.

Toutes les pièces remplacées au titre de la garantie seront couvertes pour une période de 90 jours à partir de leur date d'installation.

Le fabricant peut exiger que les pièces défectueuses ou les produits soient retournés ou que des photos numériques soient fournies pour valider la réclamation. Les produits retournés doivent être expédiés port payé au fabricant pour une inspection en usine. Si un produit est déclaré défectueux, le fabricant le réparera ou le remplacera.

Avant d'expédier votre appareil ou les pièces défectueuses, votre détaillant doit obtenir un numéro d'autorisation. Toute marchandise expédiée à notre usine sans autorisation sera refusée et retournée à l'expéditeur.

Les coûts d'expédition ne sont pas couverts par cette garantie.

Des frais de service supplémentaires peuvent être appliqués si vous cherchez à obtenir des services au titre de la garantie auprès d'un détaillant.

Toutes les spécifications et les conceptions sont sujettes à modifications sans préavis en raison des améliorations constantes apportées aux produits. **Napoléon** est une marque de commerce déposée de Wolf Steel Ltée.



# NAPOLÉON CÉLÈBRE PLUS DE 40 ANS D'EXISTENCE CONSACRÉS À LA CONCEPTION DE PRODUITS DE CONFORT



7200, Route Transcanadienne, Montréal, Québec H4T 1A3  
24 Napoleon Road, Barrie, Ontario, Canada L4M 0G8  
214 Bayview Drive, Barrie, Ontario, Canada L4N 4Y8  
103 Miller Drive, Crittenden, Kentucky, USA 41030  
De Riemsdijk 22, 4004 LC Tiel, Pays-Bas

Téléphone: 1-866-820-8686

[napoleon.com](http://napoleon.com)