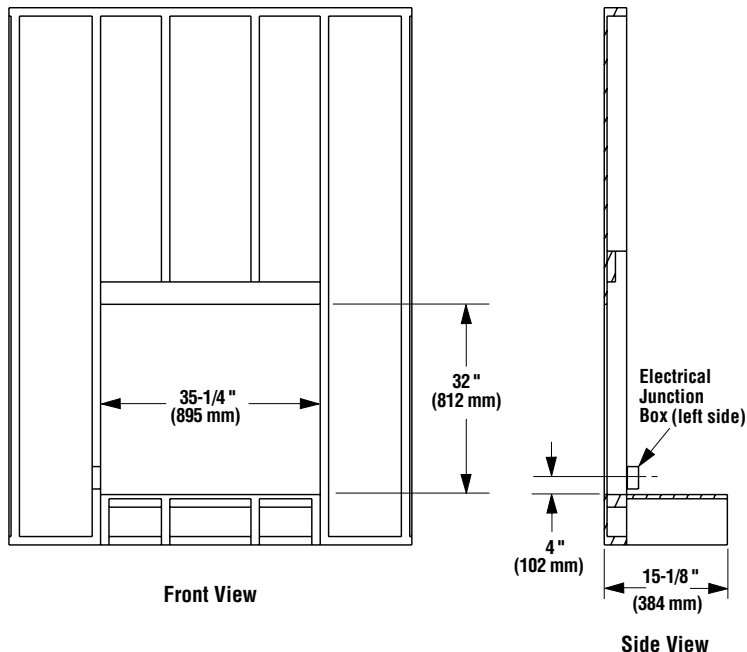
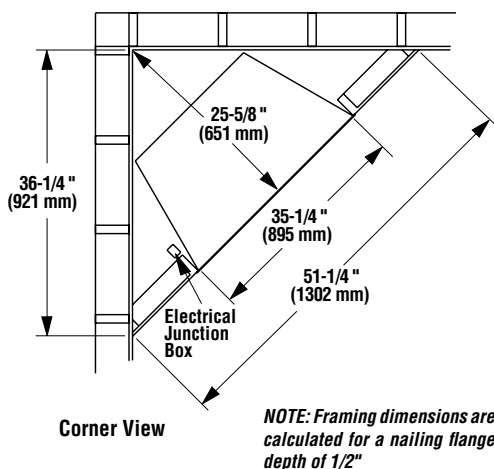


IHP 33" Electric Fireplaces

ELECTRIC FIREPLACE

Framing Dimensions



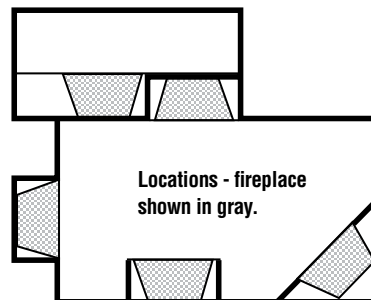
Product Reference Information

Models: Capella™ 33, ERT3033, MPE-33-N
 Description: Electric Fireplace,
 33" Radiant
 Shipping Weight: 81 lb.'s (36.75 KG)
 Packaging:
 41" x 17-3/4" x 33-1/2"
 (1040 mm x 451 mm x 850 mm)
 14.10 cu. ft.

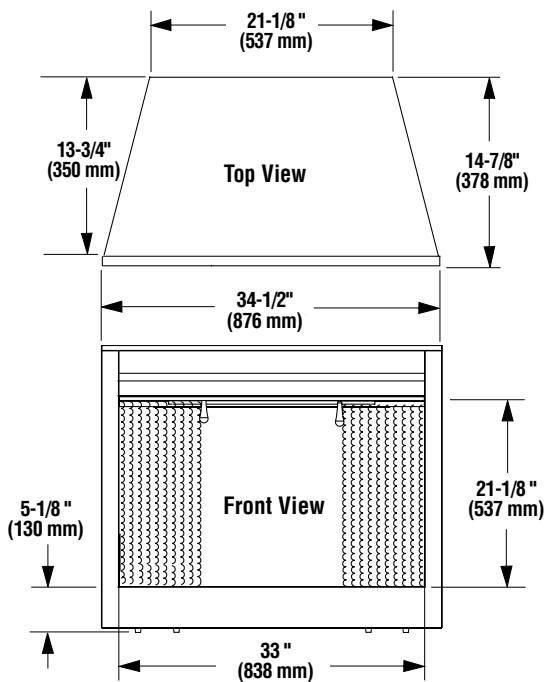
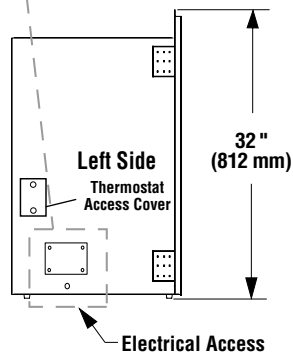
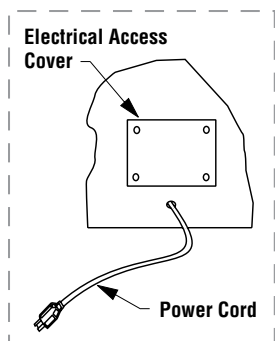
Power Requirements:
 (120 Volt, 60 Hz.)
 Rated Wattage - 1500 Watts
 Amperage - 13.33 Amps
 (240 Volt, 60 Hz.)
 Rated Wattage - 3000 Watts
 Amperage - 12.5 Amps

Blower CFM: 83 CFM
 (120 V): 5,461 BTU/HR
 (240 V): 10,239 BTU/HR

Locations



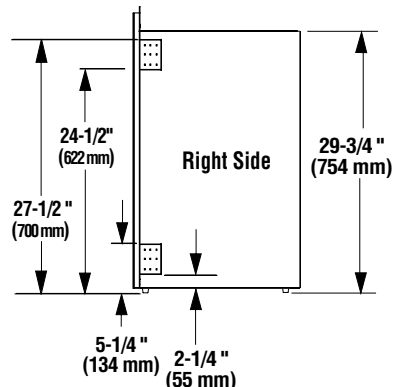
Fireplace Dimensions



Listing



This appliance has been tested in accordance with UL 2021 and CSA C22.2 No. 46-M198 standards for fixed and location dedicated electric room heaters.



IHP 33" Electric Fireplaces

Product Info

Product Reference Information			
Cat. #	Models	Weight	Cu. Ft.
F4449	Capella33, ERT3033, MPE-33-N	81 lbs.	14.1 cu. ft.

Clearances - This appliance is an electric fireplace designed to be framed in with combustible materials (up to the edge of the appliance). A drywall lip at the top of the fireplace and 4 nailing flanges on the sides of the appliance is provided to facilitate installation.

Minimum Clearances - Inches (millimeters)	
Back	0 (0)
Sides	0 (0)
Top	0 (0)
Floor	0 (0)

Mantel Clearance: Combustible and Non-combustible mantels may be installed at any height above the top of the face of fireplace.

Hearth Protection: A hearth is not required, but it is recommended for aesthetic purposes.

Clearances to Combustibles

ELECTRIC FIREPLACE



Standard Full Function
Infrared Light Remote Control.



Fireplace Features & Optional Accessories

Specifications and clearances are subject to change without notice. Refer to Installation Manual before installation of these appliances for updated dimensions and instructions.

Printed in U.S.A. © 2020 Innovative Hearth Products
P/N 900974-02 REV. NC 10/2020

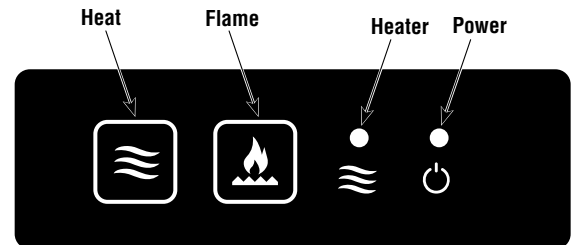


Fireplace Manual Controls

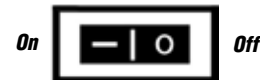
Controls - This appliance can be operated either from the manual control panel (see below) or by using the remote control.

The manual controls are located on the firebox floor on the front left. If an optional glass enclosure is installed, it must be removed to access.

Manual Control Panel (located on fireplace floor)



Main Power ON/OFF Switch



Standard Features

- Oak log set and glowing ember bed.
- Smoked-Brick pattern glass interior.
- Adjustable flame height.
- Operable pull screens.
- 5000 BTU (120 V) or 10,000 BTU (240 V) heater.
- Full featured remote control.
- Wall thermostat ready.
- 120 V Power Cord.

Options

- Wall thermostat
- Glass Enclosure Kits (black & stainless)
- Trim Kits (black & stainless on bronze)
- Complete Front Face Kits (mission style & interlocking arch)