

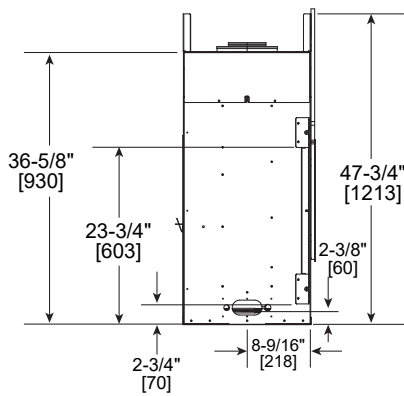
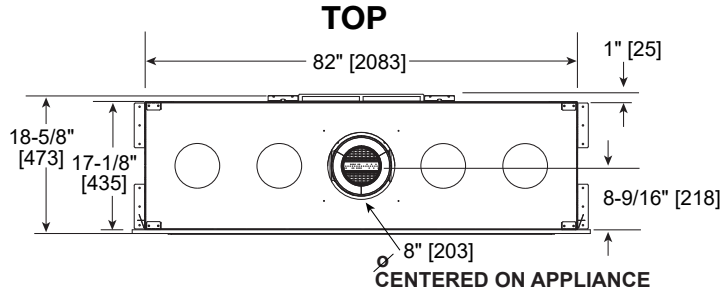
MAJESTIC

Please consult the manufacturer's installation manual for all details and requirements before making a final design layout decision.

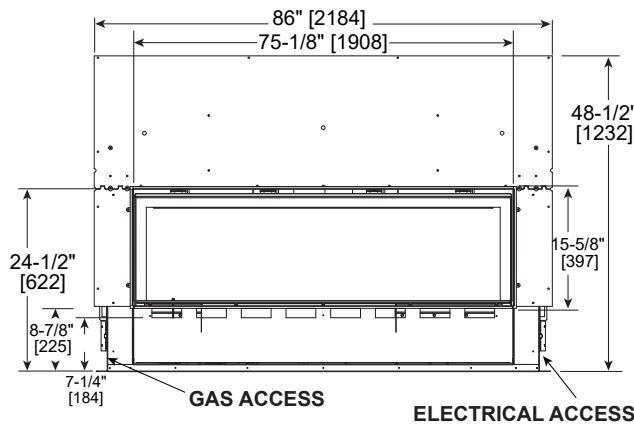
ECHELON II 72

Direct Vent Gas Fireplace

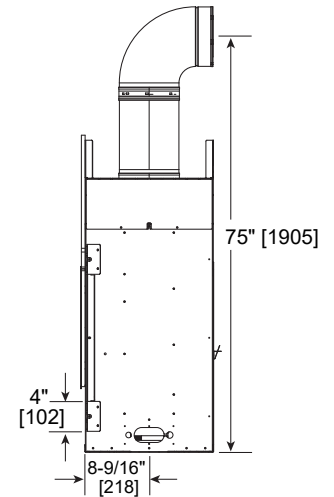
MODEL	FRONT WIDTH		BACK WIDTH		HEIGHT		DEPTH		GLASS SIZE
	ACTUAL	FRAMING	ACTUAL	FRAMING	ACTUAL	FRAMING	ACTUAL	FRAMING	
ECHEL72 58,000 BTU (NG) 45,000 BTU (LP)	82"	84-1/4"	82"	84-1/4"	47-3/4"	48"	17-1/8"	18-1/4"	71-1/2" x 12-1/2"



LEFT



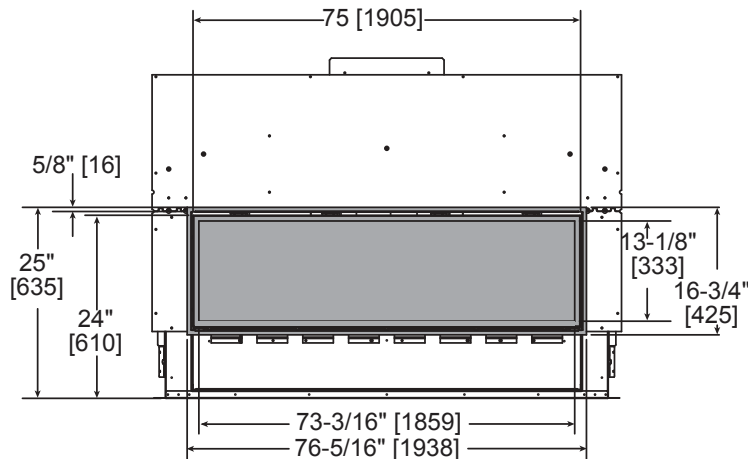
FRONT



RIGHT

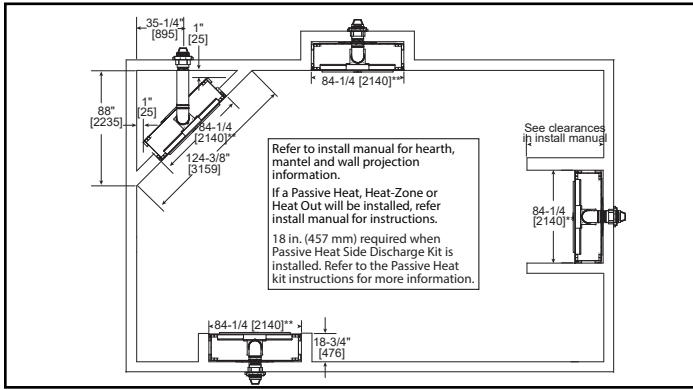
BEFORE FRAMING, PLEASE NOTE:

A minimum of 30" of vertical venting is required before attaching any elbow to the appliance.

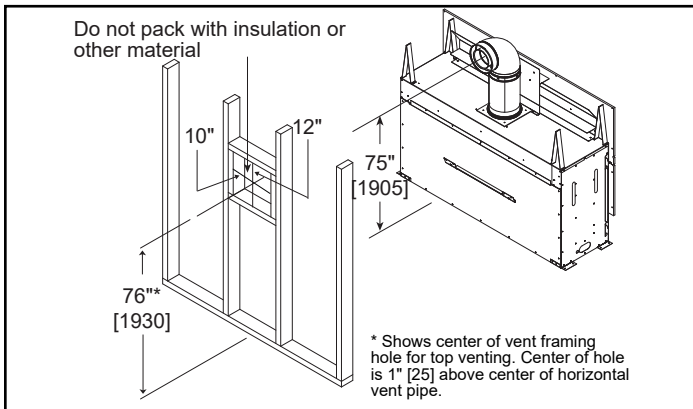


CFT FRONT

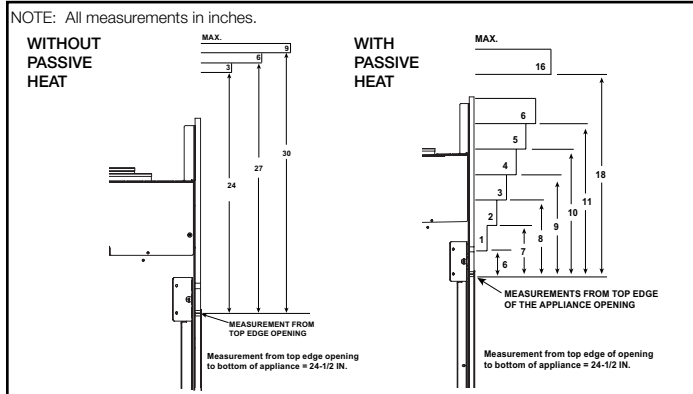
APPLIANCE LOCATION



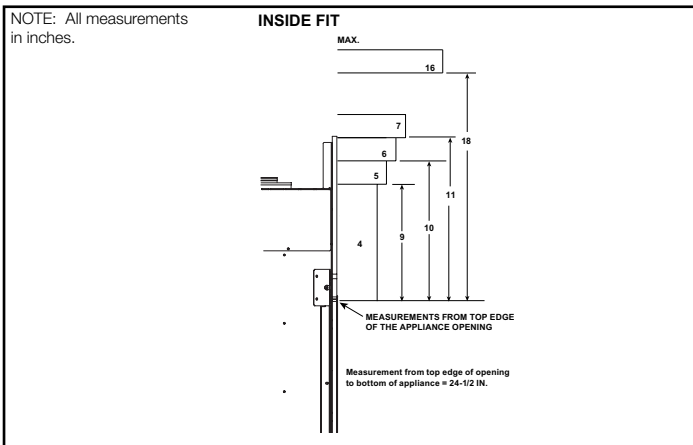
WALL PENETRATION



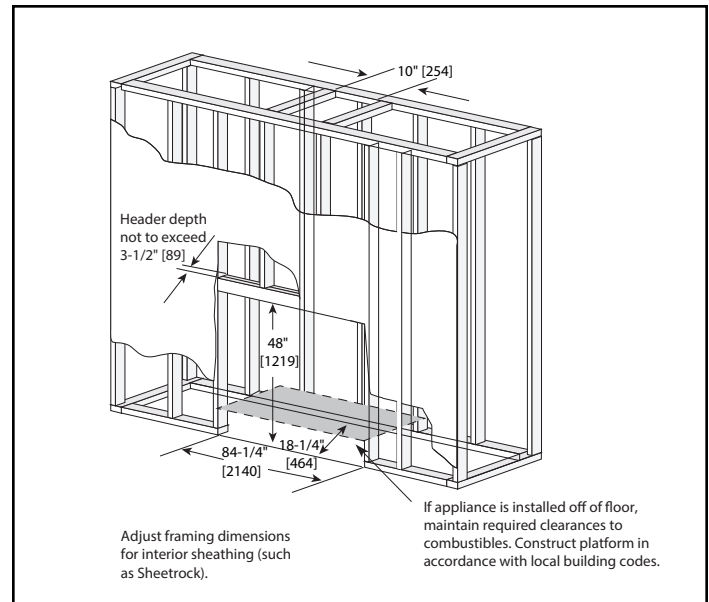
MANTEL PROJECTIONS - COMBUSTIBLE



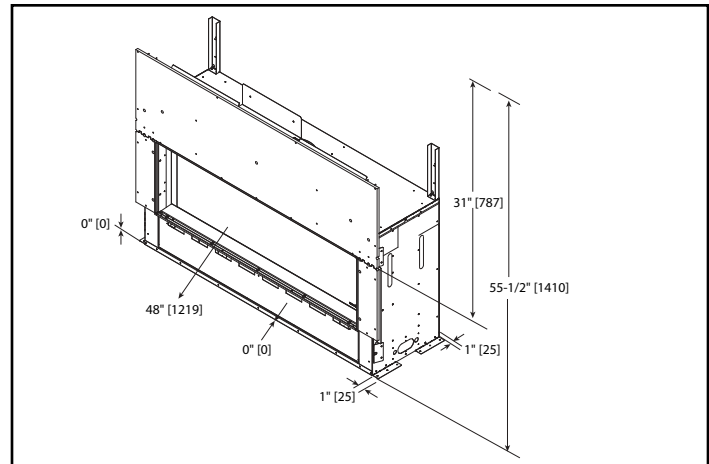
MANTEL PROJECTIONS - NON-COMBUSTIBLE



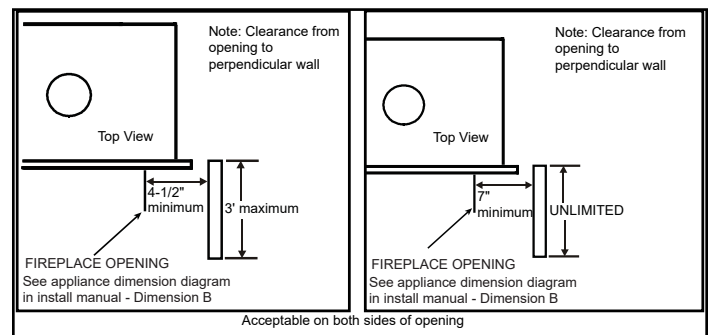
FRAMING DIMENSION



CLEARANCES TO COMBUSTIBLES



MANTEL LEG/WALL PROJECTIONS COMBUSTIBLE OR NON-COMBUSTIBLE



PRODUCT LISTING CODES

US	ANSI Z21.88-2017
CAN	CSA 2.33-2017
US LISTED	UL307B

Product information provided is not complete and is subject to change without notice. Product installation must adhere strictly to instructions accompanying product to avoid risk of fire and potential injury.