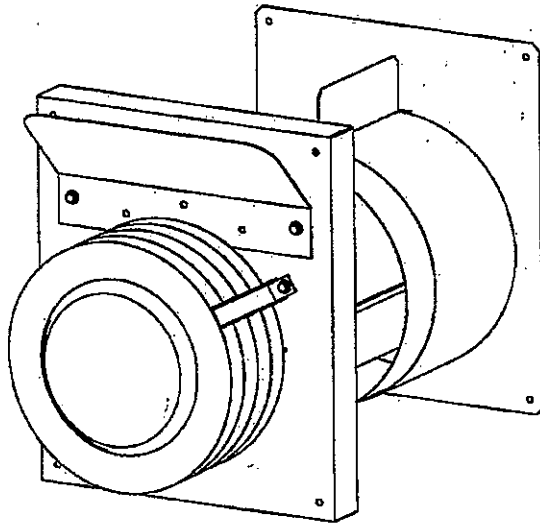


# INSTALLATION INSTRUCTIONS



## ROUND HORIZONTAL VENT TERMINATION KIT DVVK-4REVS-1

### FOR DIRECT VENT FIREPLACE HORIZONTAL TERMINATION

#### FOR USE ON THE FOLLOWING MODELS:

- (A)DVD32FP SERIES
- (A)DVD36FP SERIES
- (A)DVD42FP SERIES
- (A)DVD48FP SERIES
- (A)DVP36FP, SP and PP SERIES

**CAUTION:** Sharp edges, use protective gloves when installing.

#### Tools Needed for Installation:

- Sheet metal snips
- 5/16" nut driver
- Phillips head screwdriver - #2
- High temperature sealant or furnace cement rated for continuous use at 1,000°F minimum
- Measuring tape

#### Parts Verification

See parts list on page 3 to verify components included in this vent kit prior to installation.

If wall depth exceeds 13 (330mm), extend system using 6 5/8" (168mm) x 4" (102mm) rigid venting (See Fireplace Instructions for approved lengths) See Figure 2.

#### Installing Wall Thimble/Firestop Assembly

1. Fix fireplace to permanent location. If using rigid venting system, install up to the location where it will exit the building.
2. Cut hole in wall for wall thimble/firestop assembly (Figure 1) into your combustible wall. Note: On brick or block exterior wall a 7" (178mm) diameter hole needs to be cut. If installing on vinyl or lap siding, cut siding to dimensions of outside mounting plate.

Measure the total wall thickness to determine whether or not the extension thimble is to be used. If the combustible wall depth is over 5 3/8" (137mm), then the extension thimble should be used (Figure 1).

3. Install the wall thimble assembly through the framed opening so the firestop plate is on the interior wall (Figure 1). Telescope section should extend all the way through the exterior wall. Attach with (4) 10 x 1" screws.

4. When placing the vent cap on an exterior wall covered with combustibles such as wood, lap, or vinyl siding, install the vinyl siding shield to the wall mounting plate.

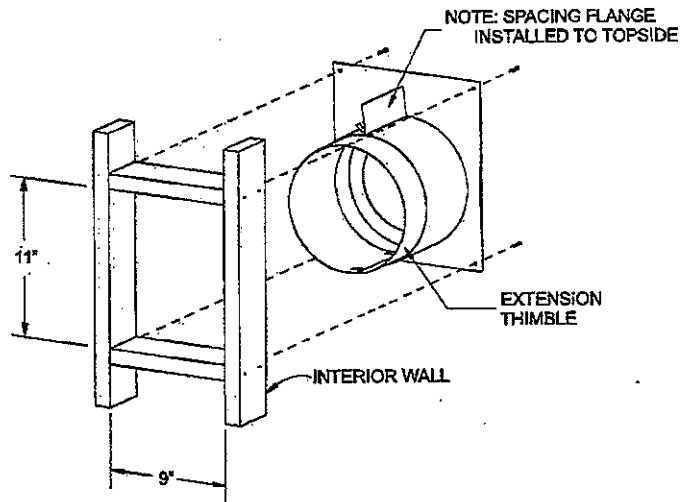


Figure 1

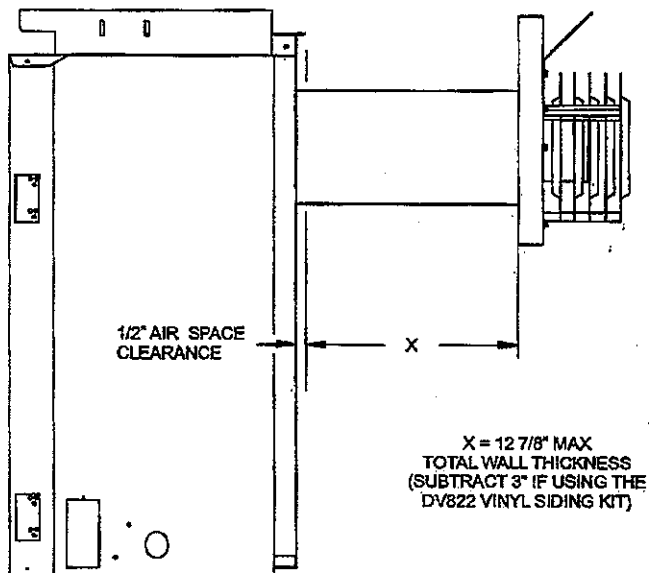


Figure 2

### Cutting Vent Tubes

This is the most important part of the installation. With the fireplace (and the rigid venting system if used) fixed to its permanent location, the 6 5/8" (168mm) diameter air inlet tube and the 4" (102mm) diameter flue outlet tube are to be marked and cut using the following procedure.

5. Attach the inlet tube to the outside mounting plate. Align tinnerman clips on the tabs of the air inlet tube to the holes on outside mounting plate, and fix with (2) #10 x 1/2" screws.
6. Insert the 6 5/8" (168mm) diameter tube with outside mounting plate attached through hole in wall. Connect to collar on fireplace or rigid vent system. Measure between wall or vent cap extension and outside mounting plate (Figures 3A and 3B).

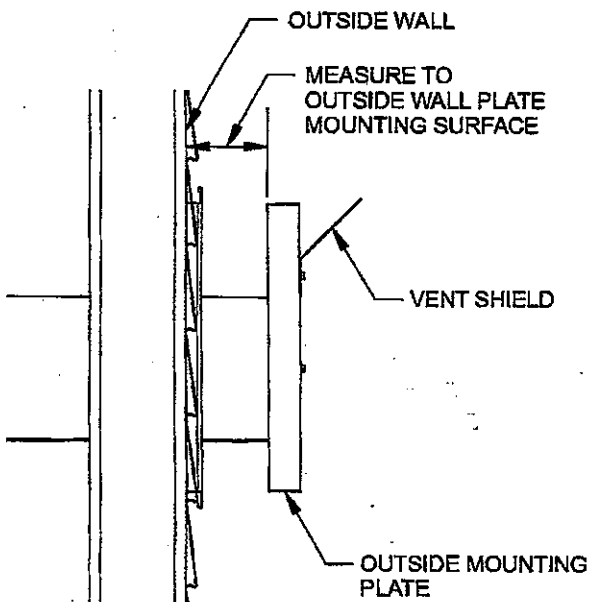


Figure 3A

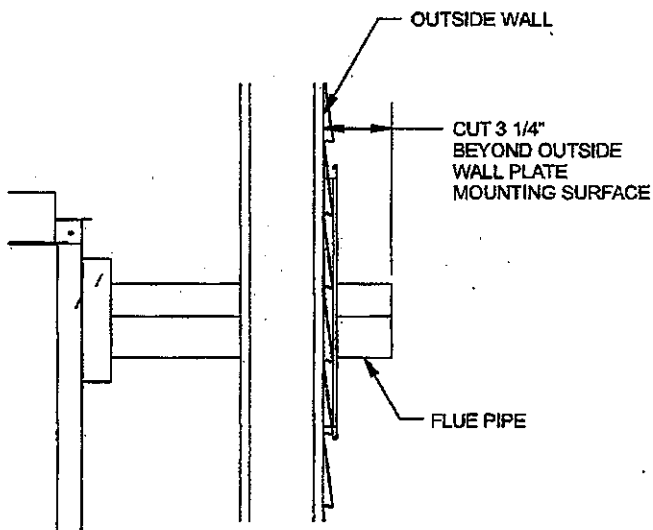


Figure 3B

7. Remove outside mounting plate with tube attached from wall. Mark and cut the extra length of the 6 5/8" (168mm) diameter tube from the opposite end. Do not crimp or enlarge tube.
8. Attach the 4" (102mm) diameter flue outlet tube onto the rigid venting system or directly to fireplace. Ensure the 4" (102mm) diameter flue outlet tube is placed as far as possible onto the rigid venting system. Mark the 4" (102mm) diameter flue outlet tube 3 3/4" (95mm) beyond the wall. See Figure 3B. Remove the 4" (102mm) diameter flue outlet tube from rigid venting system. When installing directly to fireplace, tape gasket needs to be used.
9. Mark or wrap tape completely around the tubes at the marked points to help in making a true cut. Do not crimp or enlarge tubes.
10. From outside: Push the 6 5/8" (168mm) diameter inlet tube/mounting plate onto end of rigid venting system to correct position. Fasten the outside mounting plate to the wall with (4) 10 x 2 1/2" screws. (Ensure upward slope).
11. From inside: Attach the inlet tube to the collar on the back of the fireplace (or the rigid venting system) using (3) self tapping screws.
12. Seal the 4" (102mm) diameter flue outlet tube. Follow instructions and diagram (Figure 4).
13. Fasten 4" (102mm) diameter flue outlet tube in place. Do not "twist" the flue outlet tube into the fireplace collar (or rigid venting system). Hold the tube by the seam and push in using a perpendicular "rocking" motion. This ensures the seam on the tube stay intact.
14. Attach vent shield to mounting plate using (2) 10 x 1/2" screws.
15. Fasten vent cap end using (3) 10 x 1/2" screws to mounting plate.

### Sealing 4" (102mm) Diameter Flue Outlet Tube.

Follow correct option according to venting method.

#### Connecting Directly to Fireplace

If the air inlet and flue outlet tubes are to be connected directly to the unit (no rigid venting system is being used), then the gasket provided must be used to seal the 4" (102mm) flue outlet tube. Peel the paper off the self-adhesive gasket and then wrap it around the end of the tube (if tube was cut, it is recommended to use cut end) as shown in Figure 4. Pull the gasket tight at all times while wrapping it around tube. The gasket ends should align, to form a complete seal. The overlapped section should NOT come in contact with the seam in the tube. Apply high temperature sealant to the opposite end of the tube (on the inside of the tube). The end with the gasket will attach to the back of the unit. Continue with Step 13.

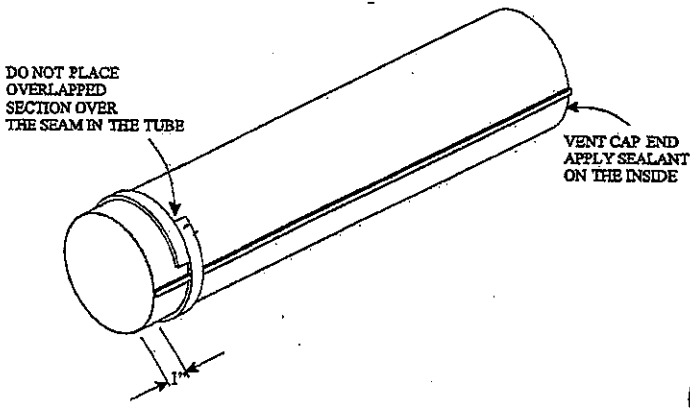
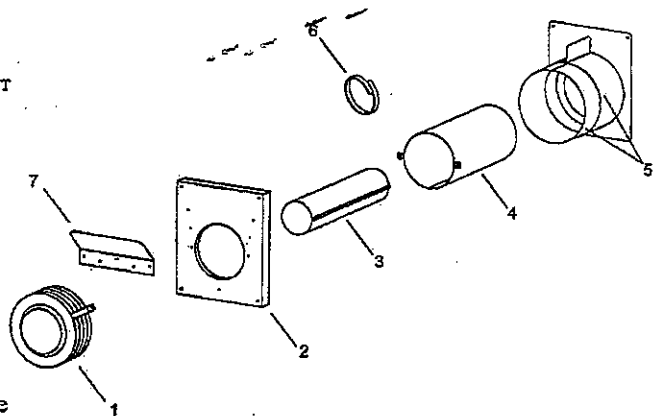


Figure 4

Note: Tape gasket to be applied prior to installing to fireplace flue outlet tube only. Tape gasket should not be used when mating the flue outlet tube to a rigid venting system.

#### Connecting to Rigid Vent System

If the air inlet and flue outlet tubes are to be connected to a rigid venting system (and not directly to the back of the unit), then do not use the gasket provided. High temperature sealant should be applied to the outside of the 4" diameter (102mm) flue outlet tube (if tube was cut, it is recommended to use cut end) and to the inside of the tube on the end that connects to the vent cap. Continue with step 13.



#### PARTS LIST

INDEX NUMBER	PART NUMBER	DESCRIPTION
1	DV769	Vent Cap Assembly
2	19193	Outside Mounting Plate
3	DV524	Flue Outlet Tube
4	19194	Air Inlet Tube
5	19196	Firestop/Thimble Assembly
6	20527	Gasket
7	24626	Vent Shield

## HOW TO ORDER REPAIR PARTS

Parts can be ordered **only** through your **service person or dealer**. For best results, the **service person or dealer** should order parts through the distributor. Parts can be shipped directly to the **service person/dealer**.

All parts listed in the Parts List have a Part Number. When ordering parts, first obtain the Model Number from the name plate on your equipment. Then determine the Part Number (**not** the Index Number) and the Description of each part from the following appropriate illustration and list. Be sure to give all this information . . .

Part Description \_\_\_\_\_

Part Number \_\_\_\_\_

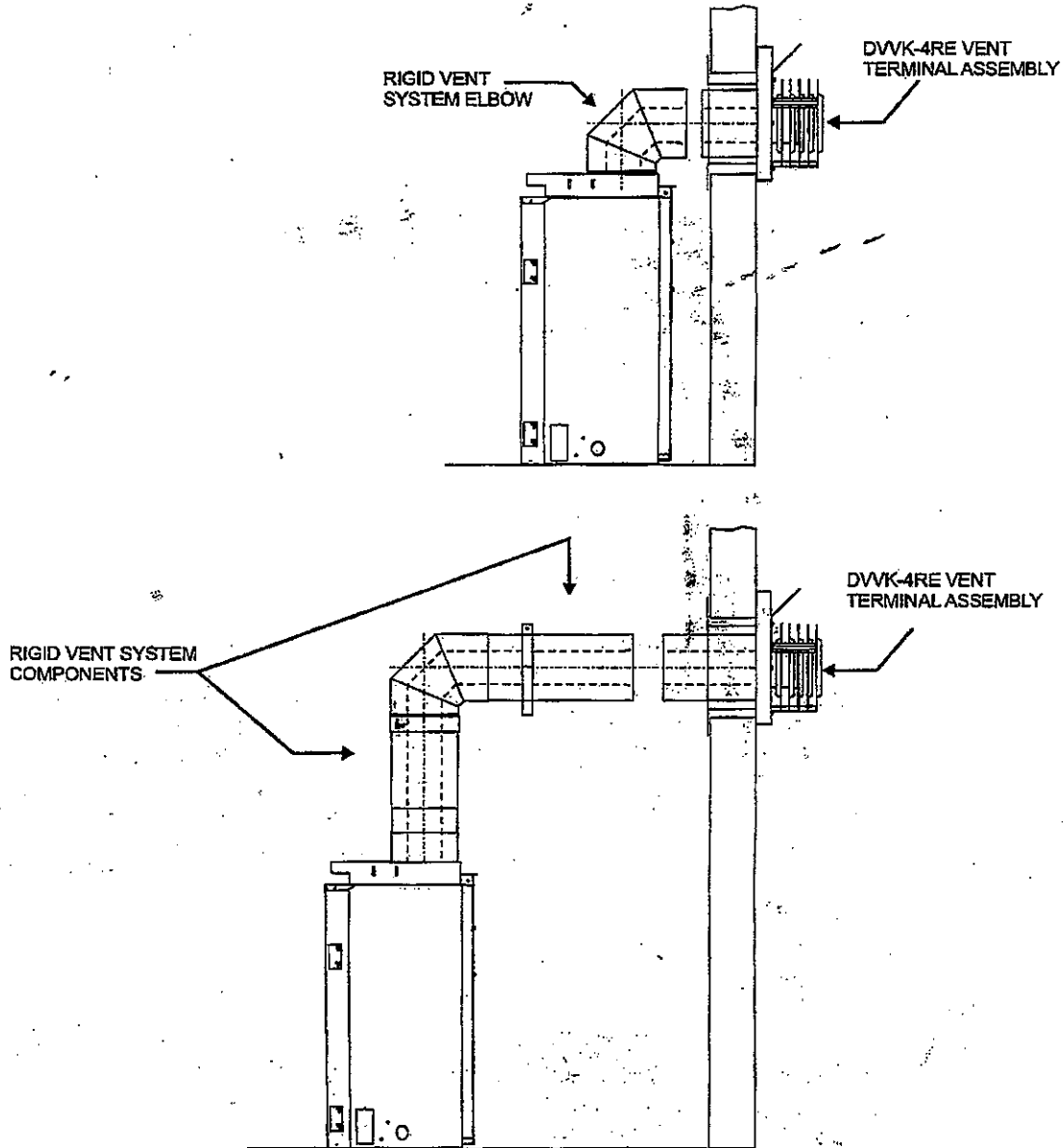
Do not order bolts, screws, washers or nuts. They are standard hardware items and can be purchased at any local hardware store.

Shipments contingent upon strikes, fires and all causes beyond our control.

**APPROVED RIGID VENT SYSTEMS**  
**FOR USE WITH THE DVVK-4REVS HORIZONTAL VENT KIT**

SIMPSON DURAVENT  
AMERICAN METAL PRODUCTS  
SELKIRK  
SECURITY

DIRECT VENT GS®  
AMERIVENT®  
DIRECT-TEMP®  
SECURE VENT®



Empire Comfort Systems Inc.  
918 Freeburg Ave. Belleville, IL 62220

If you have a general question about our products, please e-mail us at  
[info@empirecomfort.com](mailto:info@empirecomfort.com):

If you have a service or repair question, please contact your dealer.