



SUPPLEMENTARY PLATINUM SMART-HEAT™ ELECTRIC HEATER SERIES II RECESS KIT CAVITY REQUIREMENTS.

FOR 2300W / 3400W MODELS

THESE REQUIREMENTS MUST BE READ IN CONJUNCTION WITH THE PLATINUM SMART-HEAT™ ELECTRIC
HEATER SERIES II INSTALLATION, INSTRUCTION AND SERVICE MANUAL

These accompanying requirements provide additional detail to the designer/installer as to the limitations of cavity design and required clearance spaces for the Platinum Electric Heaters. The designer/installer can select **either** OPTION 1 or OPTION 2.

These instructions **DO NOT** reduce the required cavity space – but seek to clarify as to how to mount the heaters and support the ceiling structure whilst also complying with the requirements.

In summary, open space is required in the combustion free zone – with the exclusion of structural members as indicated - to ensure the heater and surrounds stay below safe operating temperatures. **Surrounding materials at the edge of the COMBSTIBLE FREE ZONE MUST BE RATED FOR OPERATION AT 149 °F above ambient temperature.** The construction of a heater box is not required.

Summary of Details:

- First row of structural members, immediate to heater **MUST** be protected by a minimum of 1 x layer of 5/8" fire board rated for 149 °F above ambient temperature – boards to be butt jointed as indicated.
- Minimum 4" gap between fire protected structural members and ceiling is required.
- Maximum section size of structural members (timbers/joists/battens) is 2" x 6".
- The recess kits must be supported along the short side of the kit – fixing along the long side is optional.
- A gap will be present between the recess kit and the fire boards – appropriate spacers should be installed to prevent recess kit deformation.
- Minimum centre to centre spacing of joists – 16" as depicted in diagrams.

⚠ WARNING ⚠: This heater MUST be permanently installed by an authorised/licenced person. Do not perform maintenance or carry out installation or assembly procedure while electrical power is switched on. Wait 2 hours after switching off the heater before handling.

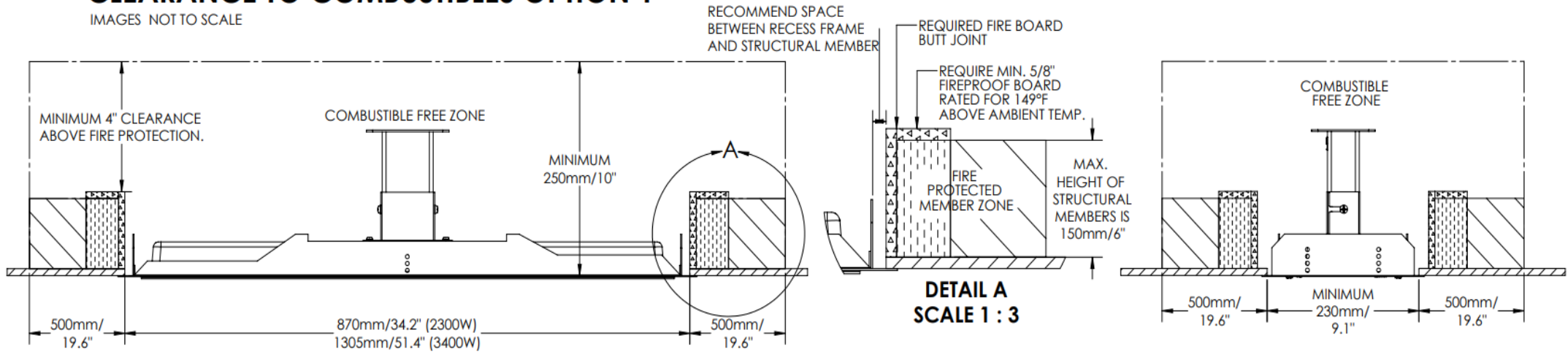
Head Office: 10 Phiney Place, Ingleburn, NSW 2565 Australia

Note: Bromic Pty Ltd reserves the right to make changes to specifications, parts, components, and equipment without prior notification. This supplementary manual may not be reproduced in any form without prior written consent from Bromic Pty Ltd.

HEATER SERIES II RECESS KIT CAVITY OPTIONS

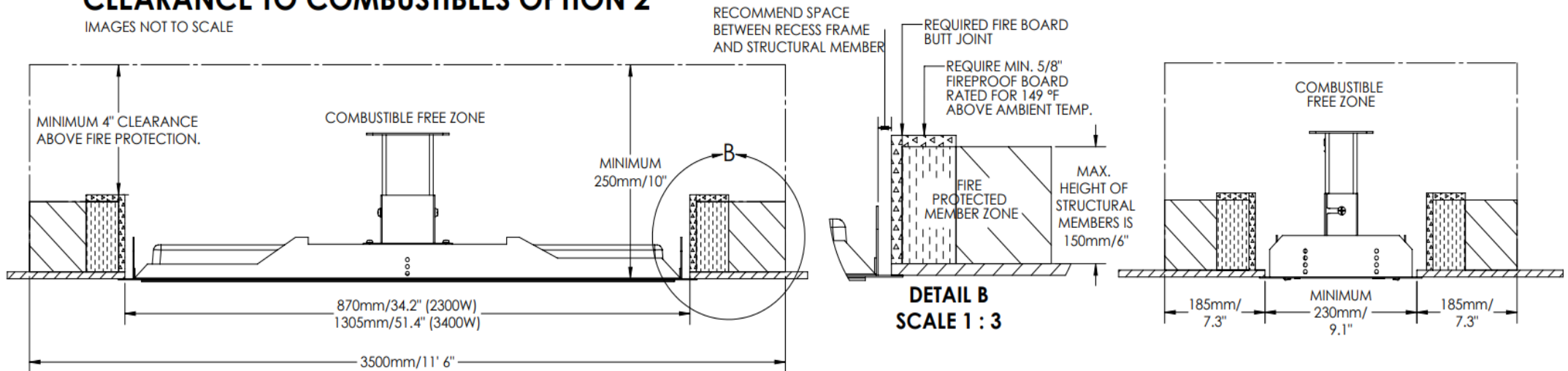
CLEARANCE TO COMBUSTIBLES OPTION 1

IMAGES NOT TO SCALE



CLEARANCE TO COMBUSTIBLES OPTION 2

IMAGES NOT TO SCALE



ISOMETRIC VIEWS DEPICTING RECESS KIT COMBUSTIBLE FREE ZONES

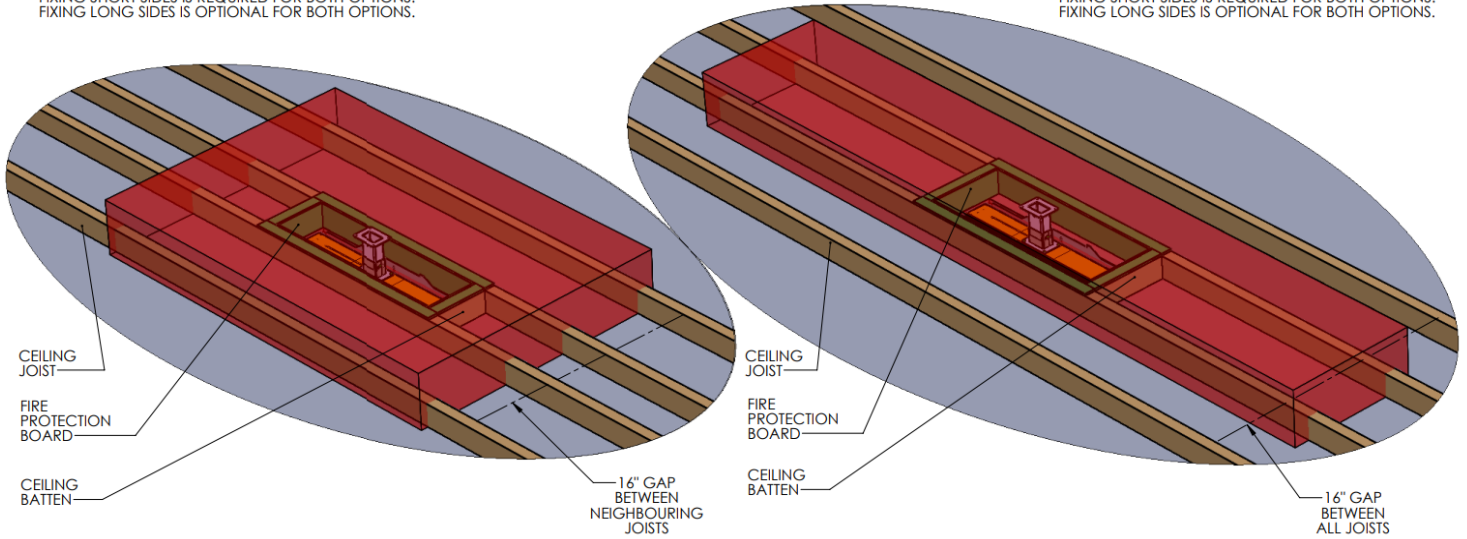
OPTION 1

EXAMPLE DEPICTS RECESS KIT FIXED ON ALL SIDES.
FIXING SHORT SIDES IS REQUIRED FOR BOTH OPTIONS.
FIXING LONG SIDES IS OPTIONAL FOR BOTH OPTIONS.

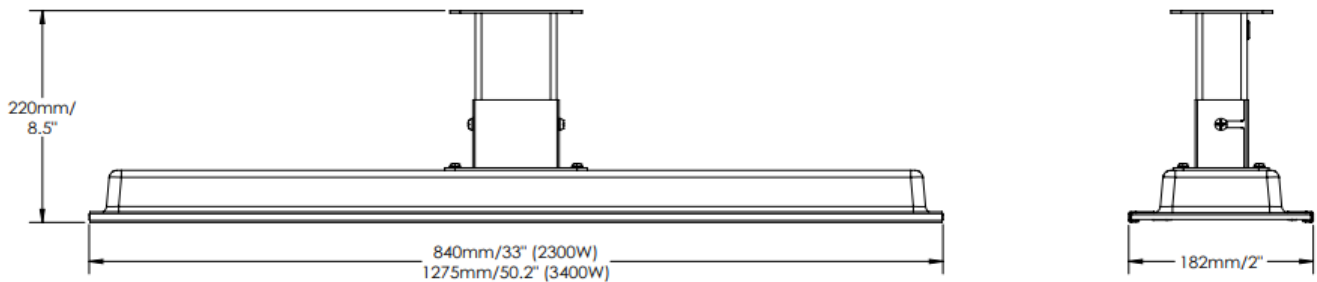
RED REGIONS REPRESENT COMBUSTIBLE FREE ZONES

OPTION 2

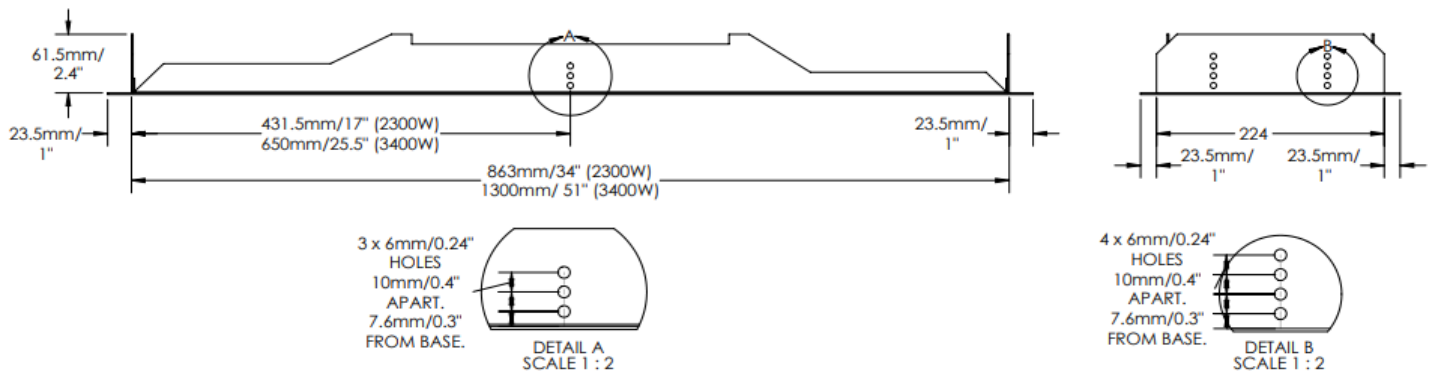
EXAMPLE DEPICTS RECESS KIT FIXED ONLY ON SHORT SIDES.
FIXING SHORT SIDES IS REQUIRED FOR BOTH OPTIONS.
FIXING LONG SIDES IS OPTIONAL FOR BOTH OPTIONS.



PLATINUM HEATER DIMENSIONS



RECESS KIT DIMENSIONS



⚠ ATTENTION ⚠:

- Drawings are NOT TO SCALE.
- The heater shall, under no circumstance, be covered with insulating material or similar material.
- Open Space is REQUIRED in the Combustion Free Zone.
- Recommended Fire Protection is required ONLY for recess positions utilising Timber.
- All clearances defined within the complete INSTALLATION, INSTRUCTION AND SERVICE MANUAL MUST be met.
- The Instructions within are suitable for ceiling surfaces 10-30mm thick. For ceiling surfaces thicker than 30mm, contact Bromic for alternative installation options.