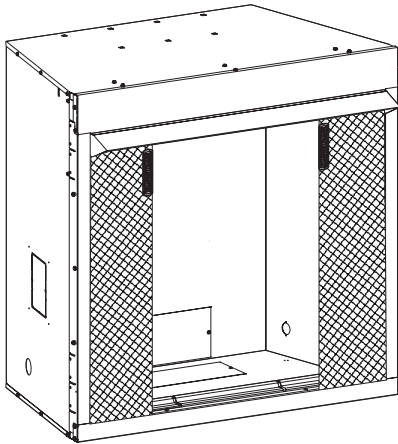


# INSTALLATION INSTRUCTIONS AND OWNER'S MANUAL

## SELECT VENT-FREE UNIVERSAL FIREBOXES



ANSI Z21.91  
Ventless Fireplace  
Enclosures  
for Gas Fired  
Decorative Type  
Unvented Room  
Heaters

## UNIVERSAL FIREBOX FOR ALL VENT-FREE LOG SETS MODELS:

VFS32FB0F-6	VFS42FB0F-6
VFS36FB0F-6	VFS42FB2HF-6
VFS36FB2HF-6	

### **⚠ WARNING**

Improper installation, adjustment, alteration, service or maintenance can cause injury or property damage. Refer to this manual. For assistance or additional information, consult a qualified installer, service agency or the gas supplier.

### **INSTALLER:**

Leave this manual with the appliance.

### **CONSUMER:**

Retain this manual for future reference.

**IMPORTANT!** Read these instructions carefully before installing or operating this gas appliance. These instructions should be left with the homeowner for future reference.

### **⚠ WARNING**

#### **FIRE OR EXPLOSION HAZARD**

Failure to follow safety warnings exactly could result in serious injury, death or property damage.

- Do not store or use gasoline or other flammable vapors and liquids in the vicinity of this or any other appliance.
- **WHAT TO DO IF YOU SMELL GAS**
  - Do not try to light any appliance.
  - Do not touch any electrical switch; do not use any phone in your building.
  - Leave the building immediately.
  - Immediately call your gas supplier from a neighbor's phone. Follow the gas supplier's instructions.
  - If you cannot reach your gas supplier, call the fire department.
- Installation and service must be performed by a qualified installer, service agency or the gas supplier.

FOR USE ONLY WITH A LISTED GAS-FIRED UNVENTED DECORATIVE ROOM HEATER NOT TO EXCEED 40,000 BTU/H. Do not build a wood fire.

Do not attempt to modify or alter the construction of the firebox or its components. Any modification or alteration of construction may void the warranty of this firebox. Children and adults should be alerted to the hazards of high surface temperature and should stay away to avoid burns or clothing ignition. Young children should be carefully supervised when they are in the same room as the firebox.

Carefully review the instructions supplied with the decorative type unvented room heater for the minimum fireplace size requirement. Do not install a vent-free log set in this firebox, unless this firebox meets the minimum dimensions required for the installation.

**NATIONAL  
FIREPLACE  
INSTITUTE**



**CERTIFIED**  
www.nficertified.org

We suggest that our gas hearth products be installed and serviced by professionals who are certified in the U.S. by the National Fireplace Institute® (NFI) as NFI Gas Specialists.

# TABLE OF CONTENTS

SECTION	PAGE
Important Safety Information.....	3
Introduction .....	3
Clearances.....	4
Firebox Installation Instructions .....	6 - 8
Installing Hood .....	8 - 9
Gas Line Connection .....	9
Optional Fresh Air Kit Installation Instructions .....	10 - 12
Optional FBB5 Single Speed Blower Installation Instructions.....	13 - 15
Junction Box Wiring Installation Instructions.....	16
Maintenance .....	16
Master Parts Distributor List.....	17
How To Order Repair Parts.....	17
Parts List .....	18
Parts View.....	19
Accessories.....	20 - 21
Warranty.....	22
Appliance Service History .....	23

# IMPORTANT SAFETY INFORMATION

The installation must conform with local codes or, in the absence of local codes, with the National Fuel Gas Code, ANSI Z223.1 (latest edition) and to the National electrical Code, ANSI/NFPA70 (latest edition).

**NOTICE:** Installation and repair should be done by a qualified service person. The appliance should be inspected before use and at least annually by a qualified service person. More frequent cleaning may be required due to excessive lint from carpeting, bedding material, etc. It is imperative that control compartment, burners and circulating air passageways of the appliance be kept clean.

Any safety screen or guard removed for servicing an appliance must be replaced prior to operating the appliance. Provide adequate combustion and ventilation air.

The flow of combustion and ventilation air **MUST NOT** be obstructed.

Provide adequate clearance around air openings into the combustion chamber and adequate accessibility clearance for servicing and proper operation. **NEVER** obstruct the front opening of the appliance.

This Empire Comfort Systems, Inc. firebox and its components have been tested and will operate safely when installed in accordance with this installation manual. Read all instructions before starting installation, then follow these instructions carefully during installation to maximize firebox benefit and safety. Report to your dealer any parts damaged in shipment.

The Empire Comfort Systems, Inc. warranty will be voided by, and Empire Comfort Systems, Inc. disclaims any responsibility for the following actions:

- Installation of any damaged firebox.
- Modification of the firebox or any of the components parts thereof.
- Installation other than as instructed by Empire Comfort Systems, Inc.

- Installation and/or use of any component part or accessory not approved by Empire Comfort Systems, Inc. in combination or assembly with a Empire Comfort Systems, Inc. firebox, not withstanding any independent testing laboratory or other third party approval of such component part or accessory.

Any such action may create a possible fire hazard. Consult your local building codes.

**Firebox Screen.**

The firebox screen must be in place when the firebox is operating.

# INTRODUCTION

## Instructions to Installer

1. Installer must leave instruction manual with owner after installation.
2. Installer must have owner fill out and mail warranty card supplied with firebox.
3. Installer should show owner how to start and operate log set that is installed into firebox.

## Important

All correspondence should refer to complete Model Number, Serial Number.

Notice: During initial firing of this firebox with a log set installed, its paint will bake out, and smoke will occur. To prevent triggering of smoke alarms, ventilate the room in which the unit is installed.

## Qualified Installing Agency

Installation and replacement of gas piping, gas utilization equipment or accessories and repair and servicing of equipment shall be performed only by a qualified agency. The term "qualified agency" means any individual, firm, corporation or company which either in person or through a representative is engaged in and is responsible for (a)

the installation or replacement of gas piping or (b) the connection, installation, repair or servicing of equipment, who is experienced in such work, familiar with all precautions required and has complied with all the requirements of the authority having jurisdiction.

**Commonwealth of Massachusetts:** The installation must be made by a licensed plumber or gas fitter in the Commonwealth of Massachusetts. The Commonwealth of Massachusetts requires that a flexible appliance connector cannot exceed three feet in length.

Sellers of Unvented Propane or Natural Gas-Fired supplemental room heaters shall provide to each purchaser a copy of 527 CMR 30 upon sale of the unit.

In the Commonwealth of Massachusetts, Unvented Propane and Natural Gas-Fired space heaters shall be prohibited in bedrooms and bathrooms.

The installation must conform with local codes or, in the absence of local codes, with the National Fuel Gas Code, ANSI Z223.1/NFPA 54.\*

\*Available from the American National Standards Institute, Inc., 11 West 42nd St., New York, N.Y. 10036.

# CLEARANCES

**Sidewall Clearances:** The clearance from the inside of the firebox to perpendicular combustible side wall should not be less than 6 inches. See Figure 1.

**Firebox Side and Back Clearances:** The firebox outer casing side and back flanges are zero clearance to combustibles.

**Top Framing and Finishing:** Combustible finishing materials requires 3/4 inch to top of unit. There are two shoulder bolts attached to the unit to maintain the minimum clearance. See Figures 2 and 3.

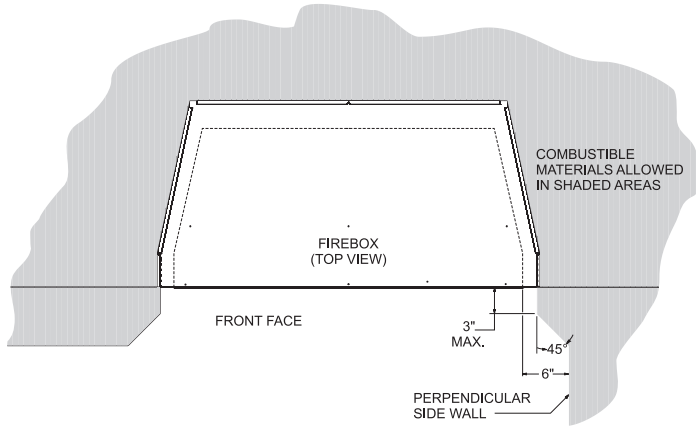


Figure 1

**Ceiling Clearances:** The ceiling height should not be less than 84 inches from the bottom of the firebox. See Figure 4.

**Mantel Clearances:** Vent free firebox models must use the hood supplied with the firebox, or one of the optional hood kits available for each model. If a combustible mantel is installed, it must meet the clearance requirements detailed below.

Leave at least 36 inches clearance from the front of the firebox.

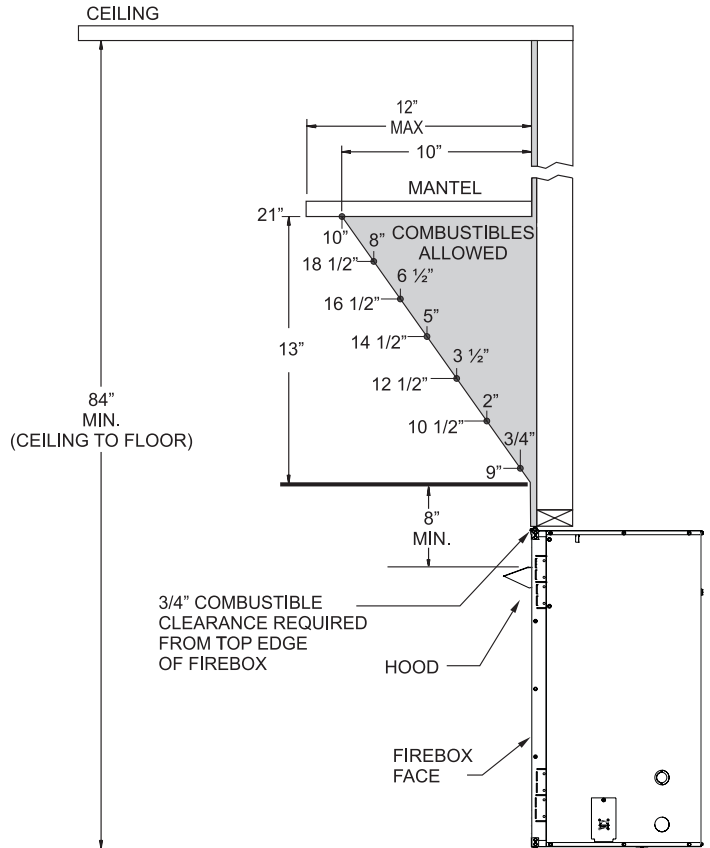


Figure 4 - Clearances to Combustibles

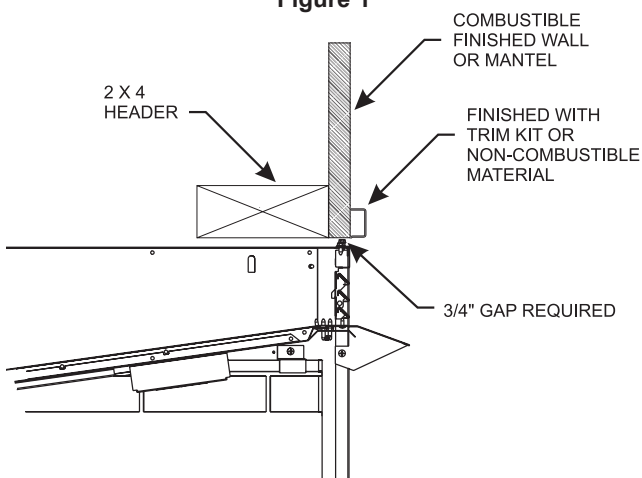


Figure 2 - Louvered Models

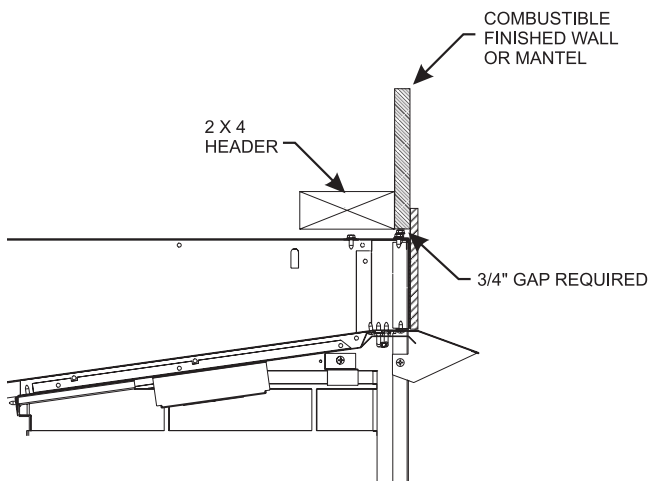


Figure 3 - Flush Models

This page intentionally left blank.

# FIREBOX INSTALLATION INSTRUCTIONS

Any vent-free Gas Log Heater must be "For use with approved ANSI Z21.11.2 unvented room heater."

Follow and complete the installation instructions of the gas log set and the requirements of this firebox.

Check all fittings for leaks before lighting the gas log set.

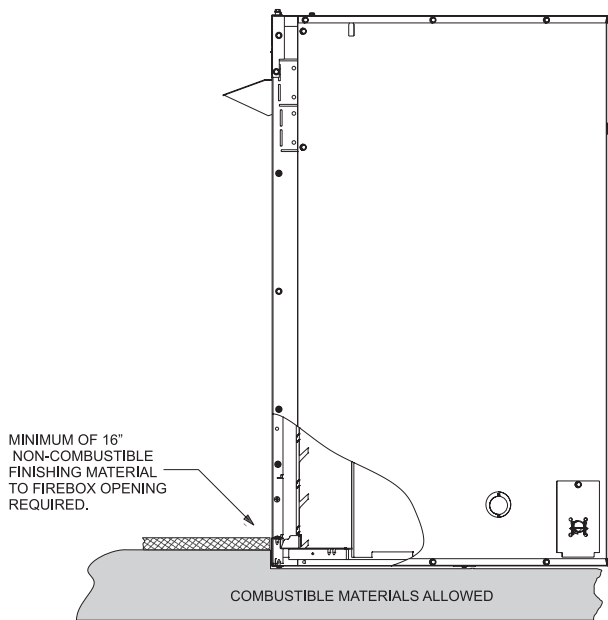
In planning the installation for the firebox, it is necessary to determine where the unit is to be installed and whether optional accessories are desired. Gas supply piping should also be planned at this time.

## A Gas Shut-Off Must Be In This Line.

The firebox can be mounted on any of these surfaces:

1. A flat hard combustible or non-combustible surface.
2. A raised platform of combustible or non-combustible material.
3. Recessed into the floor as illustrated by **Figure 5**.
4. Supported under all four corners of the firebox so that contact is made on all four perimeter edges on the bottom of the unit (Example: Four concrete masonry blocks).

If the firebox is installed directly on carpeting, tile or other combustible material other than wood flooring, it should be installed on a metal or wood panel extending the full width and depth of the unit.



**Figure 5**

At this point, you should have decided what components to include in your installation, and where the firebox is to be located. If this has not been done, stop and consult your dealer for assistance with this planning.

## Planning Your Installation

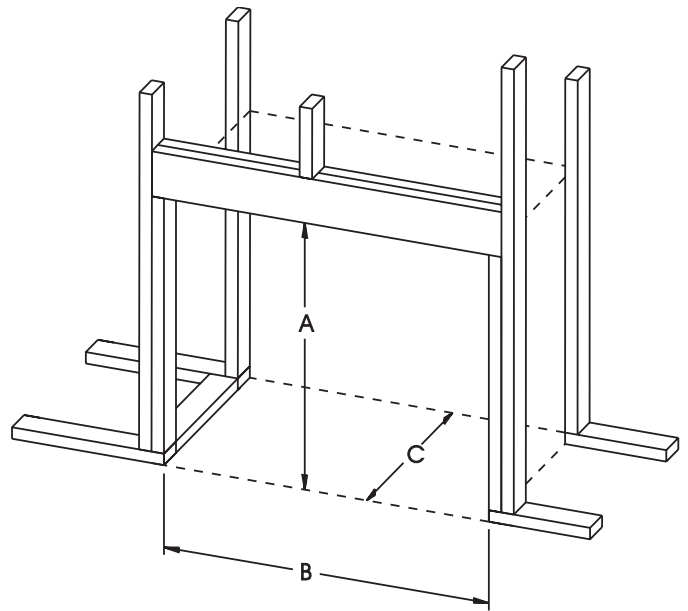
Please note that the optional VFA2 Fresh Air kit available for use with the Vent Free Firebox must be installed at the time of the initial installation. Refer to pages 10, 11 and 12 for detailed instructions for the air kit.

Accessory kits such as the FBB5 Blower kit, Trim kits, Mantels, Full Cabinet Mantels, plus other Decorative Frame, Hood, and Door accessory kits may be installed after the firebox is secured to the framed opening.

Refer to the instructions provided with each of the optional accessory kits for proper installation and operation.

## Firebox Framing

Firebox framing can be built before or after the firebox is set in place. Framing should be positioned to accommodate wall covering and firebox facing material. The firebox framing should be constructed of 2 x 4 lumber or heavier. The framing headers may rest on the top of the firebox standoffs. Refer to **Figures 6 and 7** for firebox framing dimensions.



**Figure 6**

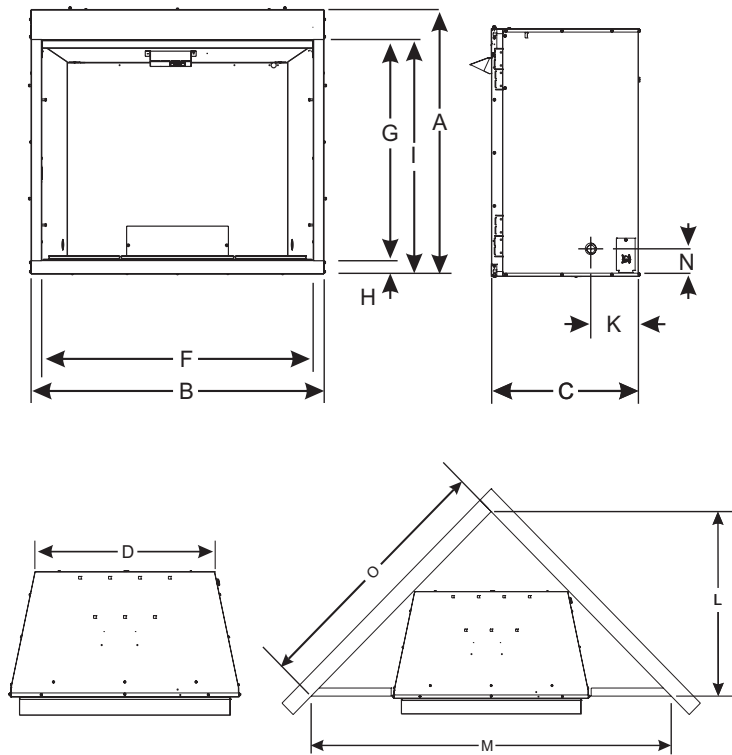
## Vent-Free Firebox Framing Dimensions (in inches)

Model	A	B	C
	Framing Height	Framing Width	Framing Depth
VFS32FB	38-7/8	35-3/8	23-3/8
VFS36FB	38-7/8	40-3/8	23-3/8
VFS42FB	38-7/8	44-3/8	23-3/8

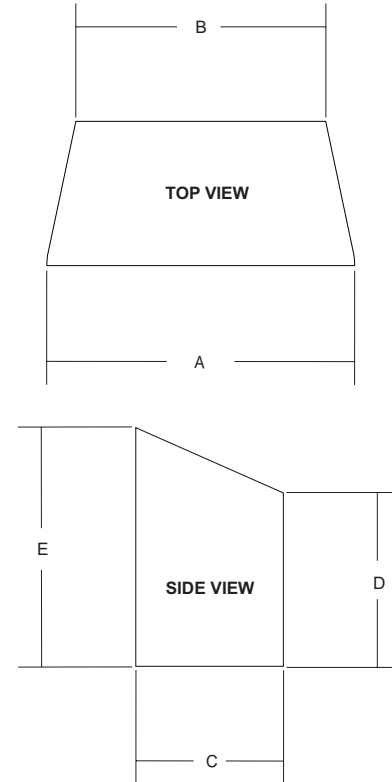
**Attention:** Add 3-3/4 inches to "A" Dimension when using flush mantel base.

# FIREBOX INSTALLATION INSTRUCTIONS (CONT'D)

## OUTER FIREBOX DIMENSIONS



## INNER FIREBOX DIMENSIONS



OUTER FIREBOX DIMENSIONS (in inches)			
Flush			
Index Letter	VFS32	VFS36	VFS42
A	38-1/16	38-1/16	38-1/16
B	34-1/4	39-1/4	43-1/4
C	23-3/16	23-3/16	23-3/16
D	25-1/16	30-1/16	34-1/16
E	-	-	-
F	31	36	40
G	31-5/8	31-5/8	31-5/8
H	2	2	2
I	33-5/8	33-5/8	33-5/8
J	-	-	-
K	7-9/16	7-9/16	7-9/16
L	35-1/2	38	40
M	71	76	80
N	4-1/4	4-1/4	4-1/4
O	50-3/16	53-3/4	53-3/4

INNER FIREBOX DIMENSIONS (in inches)			
Without Brick			
Index Letter	VFS32	VFS36	VFS42
A	31	36	40
B	23-1/2	28-1/2	32-1/2
C	18-1/8	18-1/8	18-1/8
D	29-1/8	29-1/8	29-1/8
E	31-1/2	31-1/2	31-1/2
With Brick			
Index Letter	VFS32	VFS36	VFS40
A	29-5/16	34-5/16	38-5/16
B	22-5/16	27-5/16	31-5/16
C	17-1/4	17-1/4	17-1/4
D	29-1/8	29-1/8	29-1/8
E	31-1/2	31-1/2	31-1/2

**Figure 7**  
Firebox Dimensions

# FIREBOX INSTALLATION INSTRUCTIONS (CONT'D)

## Locating Firebox

Place firebox in framing opening. Use the tabs on the side of the firebox to attach firebox to framing. Different tab locations can be used for finishing materials with thicknesses of 1/2 inch and 5/8 inch.

**See Figure 8.**

Framing tabs should fit directly against framing material. Use at least one nail per bracket to secure in place.

Check squareness of the firebox prior to securing to framed opening.

**See Figure 9.**

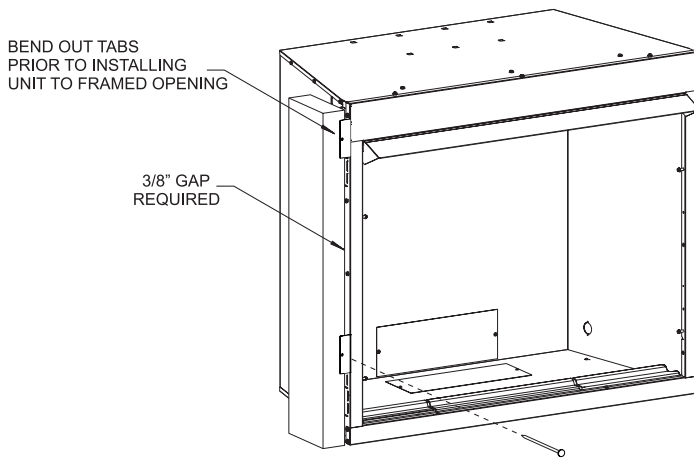


Figure 8

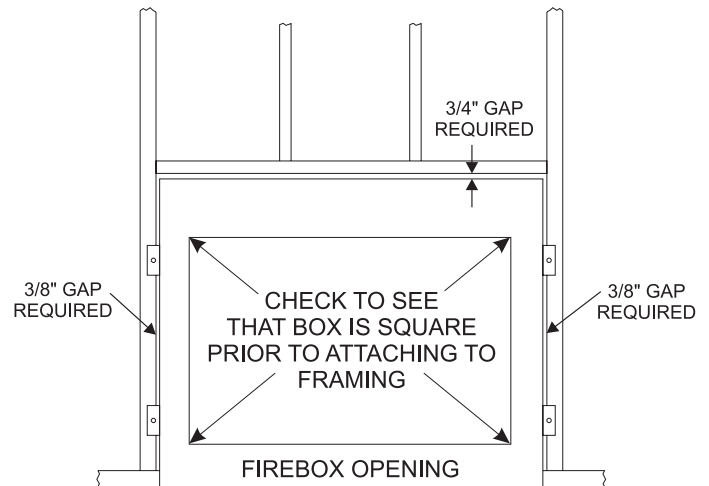


Figure 9

# INSTALLING HOOD

A black hood that is furnished with each firebox (or optional hood) **MUST** be installed before the firebox is used. Failure to do so may create a possible fire hazard. The hood is located behind upper louver, or inside the firebox on flush face units. If brass, stainless steel, or hammered pewter hoods are desired, they can be purchased as an option. Attachment is the same as the standard black hood.

## Flush Face Models

1. On flush face models, loosely attach two screws (A) to hold the firebox top to face panel, then slide the hood flange between the firebox top and face panel and re-tighten the screws.
2. Install one screw at each end of the hood as shown (C).

## Louvered Models

1. If you have a louvered model, remove upper louver.
2. Place the top hood flange on top of the firebox, then install three screws through the firebox top from below and screw into the pilot holes in the hood flange (B).
3. Install one screw at each end of the hood as shown (C).
4. Re-install louver.

**CAUTION:** The hood must be installed prior to operation of appliance. See Figure 10.

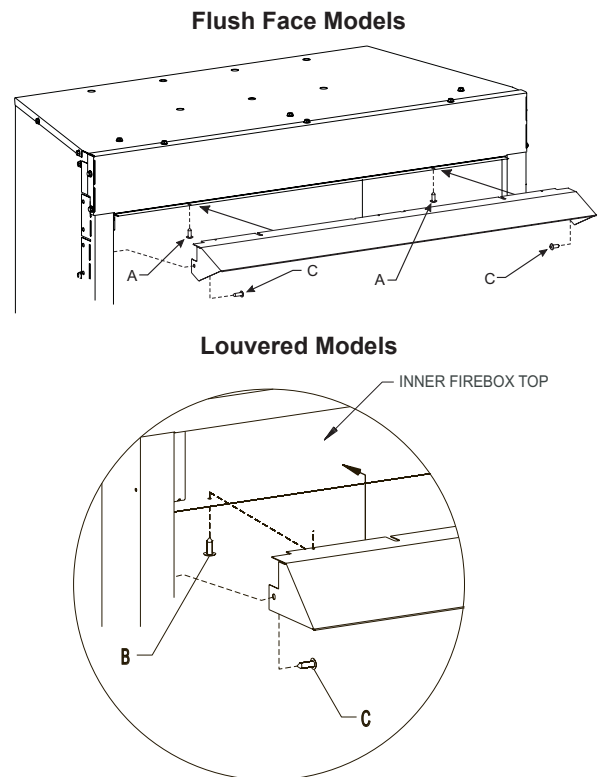


Figure 10



# INSTALLING HOOD (CONT'D)

## Extended Hoods

If your non-combustible facing material is over 1" in thickness that will be used to finish this firebox, an extended hood is available that will extend out 2" farther out into the room. Contact your local dealer for details.

VB4H32BL	Standard Black
VB4H32BR	Polished Brass
VB4H32SS	Stainless Steel
VB4H32HP	Hammered Pewter

VB4H36BL	Standard Black
VB4H36BR	Polished Brass
VB4H36SS	Stainless Steel
VB4H36HP	Hammered Pewter

VB4H42BL	Standard Black
VB4H42BR	Polished Brass
VB4H42SS	Stainless Steel
VB4H42HP	Hammered Pewter

## Finishing

All joints (top, bottom and sides), where the wall or decorative facing material meets the firebox surround should be sealed with a non-combustible material.

Hearth extensions are recommended, but not required for these fireboxes.

# GAS LINE CONNECTION

The firebox is designed to accept a 3/8-inch gas line for an approved vent-free gas logset. Have the line installed by a qualified service person in accordance with all building codes. Consult local building codes to properly size the gas supply line leading to the 3/8-inch hook-up at the unit. The state of Massachusetts requires that a flexible appliance connector cannot exceed three feet in length.

Gas access holes are provided on both sides of the firebox. See **Figure 11**.

When installing optional ceramic fiber side panels into firebox, lay panel on a flat surface. Remove the gas line knockout (round depression) in the appropriate side panel using a drill or utility knife.

Check gas type. Use only the gas type indicated on the gas log set rating plate. If the gas listed on the plate is not your type of gas supply, DO NOT INSTALL. Contact your dealer for proper model.

Always use an external regulator for all propane fireboxes to reduce the supply tank pressure to a maximum of 14 inch w.c. This is in addition to the regulator fitted to the log set.

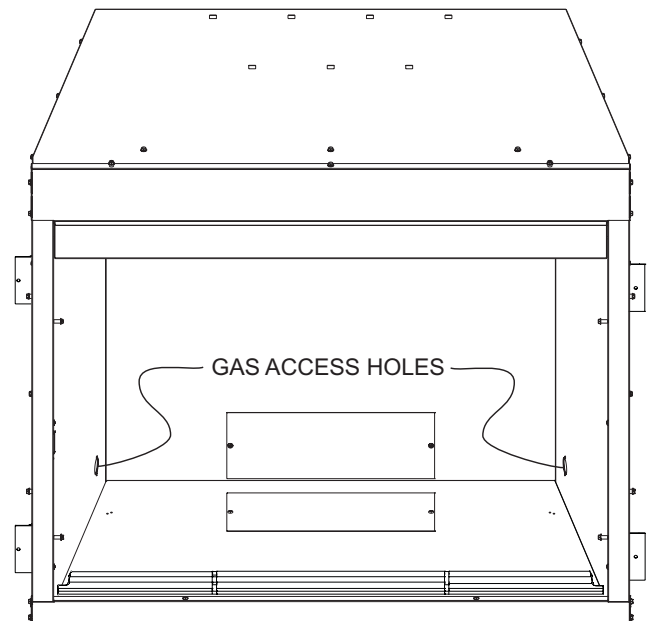
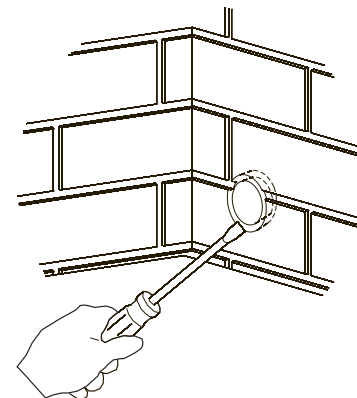


Figure 11

### **⚠ WARNING**

**Connection directly to an unregulated propane tank can cause an explosion.**

Install only a ANSI Z21.11.2 vent-free burner and log set into this firebox.



Brick Panel  
Figure 12

# OPTIONAL FRESH AIR KIT INSTALLATION INSTRUCTIONS

The optional Fresh Air Kit is designed to introduce outside air to the firebox as desired. It must be installed prior to, or at the time of firebox installation to framing. The Fresh Air kit must be installed prior to the installation of wallboard or other finishing materials around the unit.

## Hardware needed (not provided):

- 4 inch Aluminum Flex Duct
- 2 Band Clamps

## Tools needed:

- Gloves
- Metal snips
- 5/16 inch Nut Driver
- Phillips Screwdriver

## CAUTION: Sharp edges

### Slide Assembly Installation

1. Begin by removing the rectangular cutout located on the left side of the unit. Use gloves and sheet metal snips to create the opening for the Air Door assembly to install into. **See Figure 13.**



Figure 13

2. Bend the tab out of the way. **See Figure 14.**

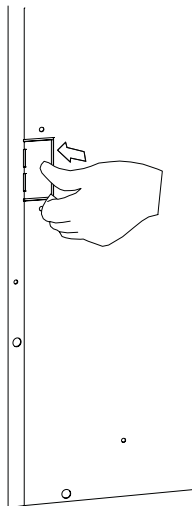


Figure 14

3. Insert Slide Assembly through the cut-out as shown in **Figure 15.** Before you fasten ensure that the handle penetrates the inner firebox wall. **See Figure 16.** Fasten the Slide Assembly with the four 10 x 1/2 Hex Head Screws provided.

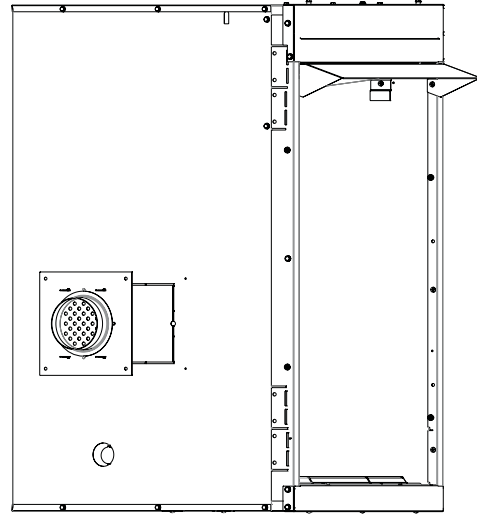


Figure 15

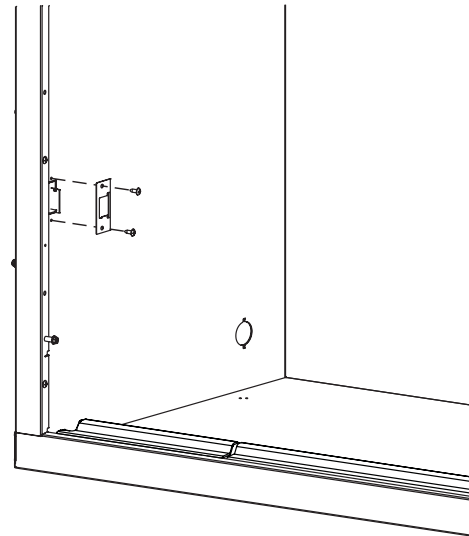


Figure 16

4. Fasten the Handle Retainer to the firebox side with two 10 x 1/2 Phillips Truss Head Screws as shown in **Figure 16.**

# OPTIONAL FRESH AIR KIT INSTALLATION INSTRUCTIONS

5. Push the handle for Open position and pull the handle for the Closed position. See Figure 17.

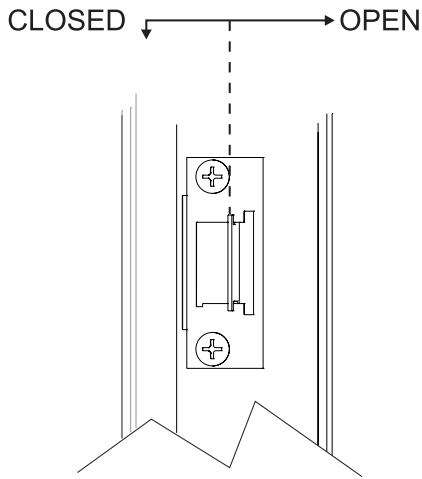
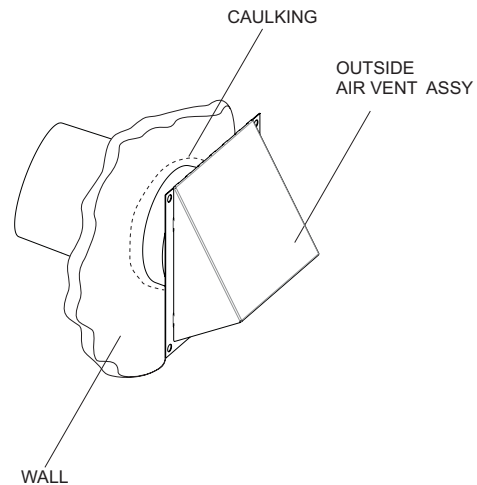


Figure 17

## Completion Of Air Kit Installation

1. Determine the length of 4 inch diameter rigid or flex duct connector (installer supplied) you will need from the firebox/fireplace to the exterior surface of the outside wall, where the air kit hood will be installed. Add a few extra inches to the length to allow for easier attachment of the outside duct connection prior to securing the outside rain cap hood to the building.
2. Secure the 4 inch diameter duct to the Slide Assembly collar on the firebox with band clamps or screws (installer supplied).
3. Run the other end of the duct through the exterior wall cutout.
4. From the outside of the building, connect the duct to the collar on the outside air vent assembly with band clamp or screws to secure (installer supplied).
5. Secure the Outside Air Vent Assembly to the outside wall with the four 10 x 1/2 Hex Head Slotted Screws provided. Seal with caulk as necessary. See Figure 18.
6. Figure 19 illustrates the various options for installation of the air duct run possibilities.

**NOTICE:** In installations where the flex duct would normally be straight (without turns), it is recommended a turn or dip be added in the run to reduce air velocity.



Caulk And Install Duct Termination  
Figure 18

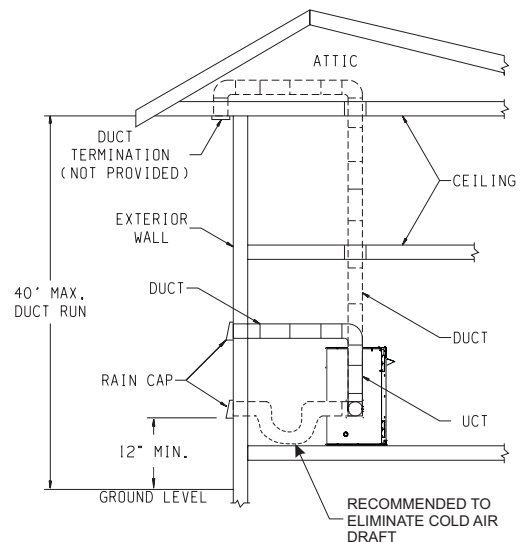
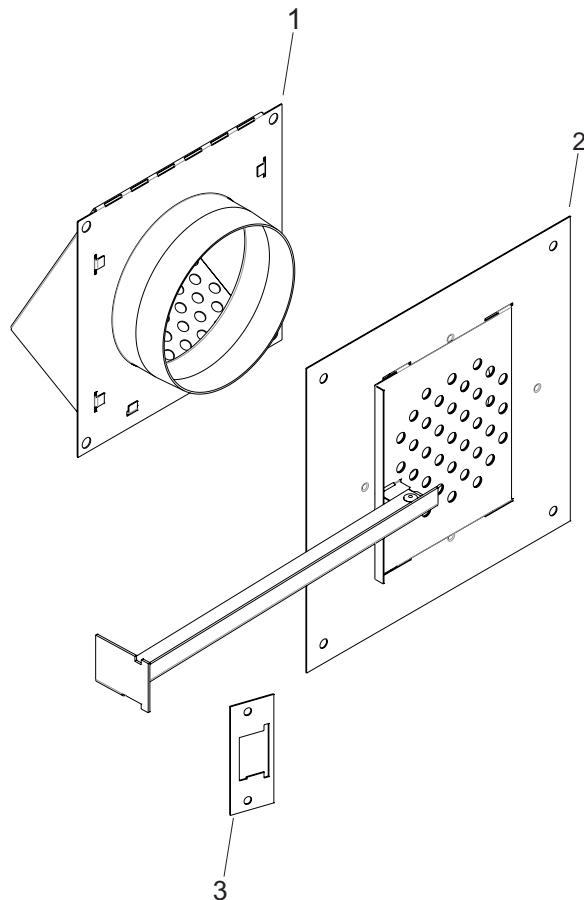


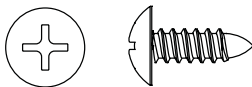
Figure 19

# OPTIONAL FRESH AIR KIT INSTALLATION INSTRUCTIONS

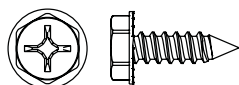


PARTS LIST		
INDEX NO.	PART NO.	DESCRIPTION
1	29259	Outside Air Vent Assembly
2	29257	Slide Assembly
3	29263	Handle Retainer

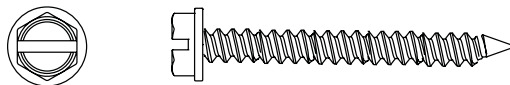
## HARDWARE PACK



**R3580, PHILLIPS TRUSS HEAD SCREW 10 X ½ - QTY - 2**



**R2737, HEX HEAD SCREW 10 X ½ BLACK - QTY - 4**



**R1134, HEX HEAD SLOTTED SCREW 10 X 1½ - QTY - 4**

# OPTIONAL FBB5 SINGLE SPEED BLOWER INSTALLATION INSTRUCTIONS

**ATTENTION:** It is recommended to install the blower assembly before connecting gas inlet supply line.

## Wiring

The appliance, when installed, must be electrically grounded in accordance with local codes or, in the absence of local codes, with the *National Electrical Code, ANSI/NFPA 70*, if an external electrical source is utilized. **This appliance is equipped with a three-prong [grounding] plug for your protection against shock hazard and should be plugged directly into a properly grounded three-prong receptacle. Do not cut or remove the grounding prong from this plug.** For an ungrounded receptacle, an adapter, which has two prongs and a wire for grounding, can be purchased, plugged into the ungrounded receptacle and its wire connected to the receptacle mounting screw. With this wire completing the ground, the appliance cord plug can be plugged into the adapter and be electrically grounded.

### CAUTION

Label all wires prior to disconnection when servicing controls. Wiring errors can cause improper and dangerous operation. Verify proper operation after servicing.

**NOTICE:** Junction box on right side of fireplace must be pre-wired at time of fireplace installation for use with blower assembly. A standard wall ON/OFF wall switch or optional SCV1 Variable Speed Control Kit should be installed to activate power to the fireplace, and control the operation of the FBB5 Blower assembly. It is recommended that installation of the wiring be performed by a qualified electrician. **See Figure 20.**

1. If installed, turn OFF gas supply to firebox/gas log.
2. If applicable, turn OFF electric supply to firebox.

### CAUTION

All wiring should be done by a qualified electrician and shall be in compliance with all local, city and state building codes. Before making the electrical connection, make sure that main power supply is disconnected. The appliance, when installed, must be electrically grounded in accordance with local codes, with the national electrical code *ansi/nfpa 70* (latest edition).

## JUNCTION BOX CONNECTIONS

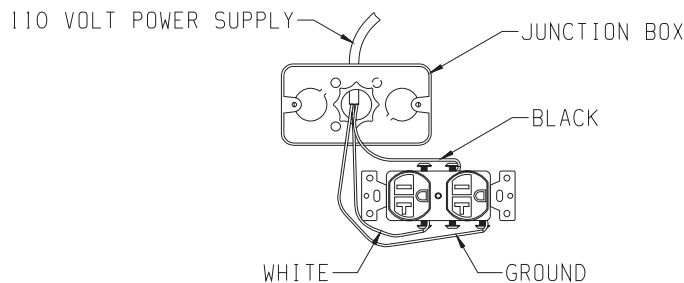


Figure 20

A factory installed junction box is located on the lower right side of the fireplace. Wiring must be fed to the junction box and attached to the receptacle that is provided. From right side of the fireplace, remove the screw securing the junction box assembly. Leave approximately 6" of wire in the junction box for connection.

Attach black wire to one side of the receptacle and white wire to opposite side of receptacle. The ground wire should be attached to the green (ground) screw.

**Attention:** If installed, do not damage gas inlet supply line when blower assembly is inserted into firebox. In some cases, removal the gas inlet supply line may be necessary.

## Blower Installation

1. Remove cover plate.

See Figure 21.

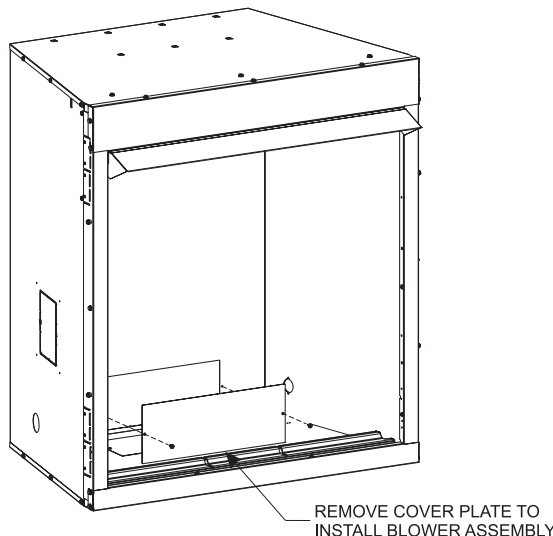


Figure 21

2. Remove air deflector by removing the four screws securing it to the blower assembly.

REMOVE AIR DEFLECTOR

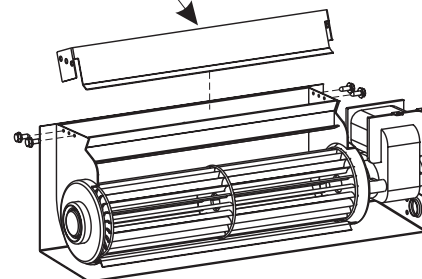
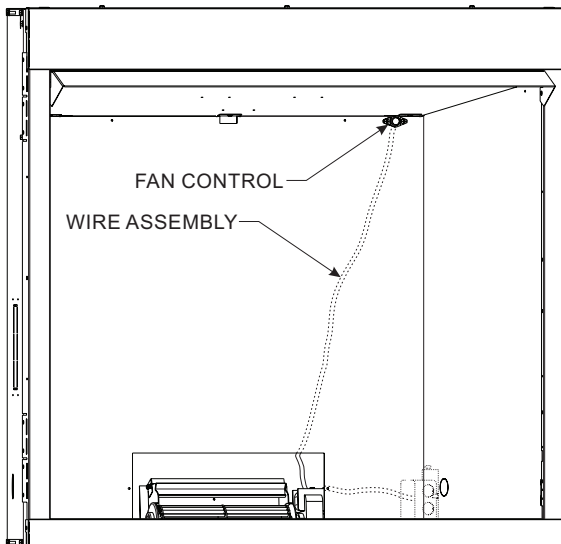


Figure 22

3. Insert blower assembly into interior at rear. Position blower assembly so that you center the blower assembly in the opening, then push the blower assembly against firebox back. The magnets on the back and bottom of blower assembly will hold blower assembly in place.
4. Once the blower assembly is in position, use a screwdriver to bend the upper right tab on the firebox away.

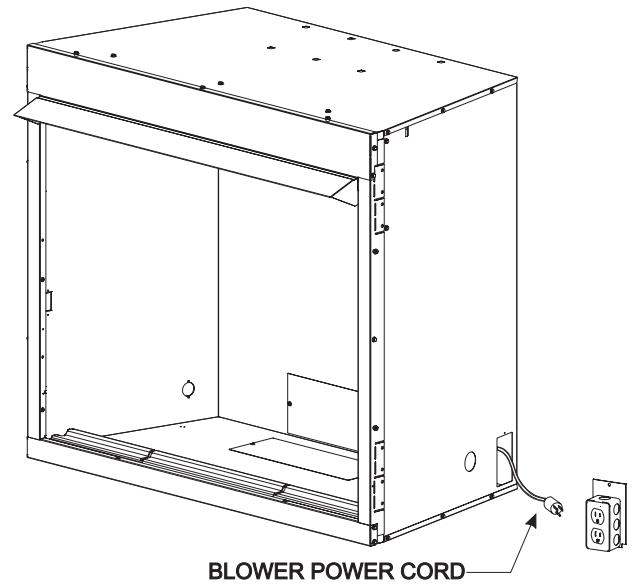
# OPTIONAL FBB5 SINGLE SPEED BLOWER INSTALLATION INSTRUCTIONS

- Next, find the fan control switch and wire assembly. Feed the wires through the hole at the top of the firebox, and secure the fan control switch with the two screws provided. **See Figure 23.**



**Figure 23**

- The fan control wires will slide down between the firebox and outer wrap near the blower assembly. **See Figure 23.**
- One fan control wire will have a 1/4" female terminal that must be attached to the open terminal on the blower motor. **See Figure 26, Connection A.**
- The other fan control wire has a 1/4" male terminal. Attach this terminal to the open terminal on the blower power cord. **See Figure 26, Connection B.**
- Route the wires away from moving parts of the blower assembly and retain wires together near the blower motor using the plastic purse clip provided.
- To complete the installation, plug the power cord into the junction box receptacle at the right rear corner of the firebox outer wrap. **See Figure 24.**



**Figure 24**

- If room permits, the power cord can be located from the outside of the unit looking through the junction box access hole (with the junction box removed), then plug up the power cord before reinstalling the pre-wired junction box.
- Once all connections are made electrically, it is recommended that you test the blower fan control operation by turning on power to the blower (**CAUTION: 110 Volt**). Then apply heat to the fan control switch inside the firebox with a lighter or match until blower is activated. Once blower is activated, check for proper operation. Do not place hands near blower assembly or other wiring while power is on.
- Replace blower access plate.
- This completes the installation of the optional FBB5 Blower kit accessory.

**NOTICE:** This blower is equipped with a heat activated fan control switch. Blower will operate when the fireplace warms up, and will turn off automatically when the firebox cools down.

# OPTIONAL FBB5 SINGLE SPEED BLOWER INSTALLATION INSTRUCTIONS

## Blower Motor

The blower motor does not have oiling holes. Do not attempt to oil the blower motor.

## Blower Wheels

The blower wheels will collect lint and could require periodic cleaning. If the air output decreases or the noise level increases, it indicates a dirty blower wheel. Remove fan and clean blower wheels.

### **⚠ WARNING**

Unplugging of blower accessory will not stop the heater from cycling. To turn off gas to the heater (millivolt model): push in gas control knob slightly and turn clockwise to "OFF." Do not force. To turn off gas on direct ignition model, turn gas line valve to "OFF."

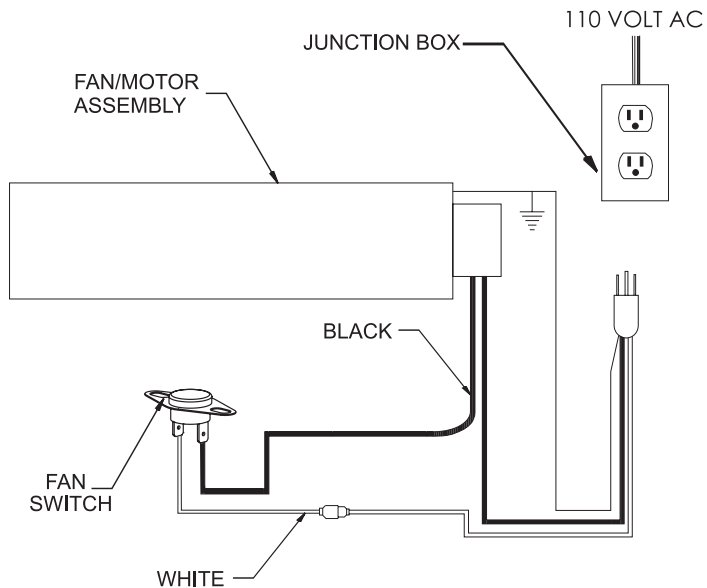
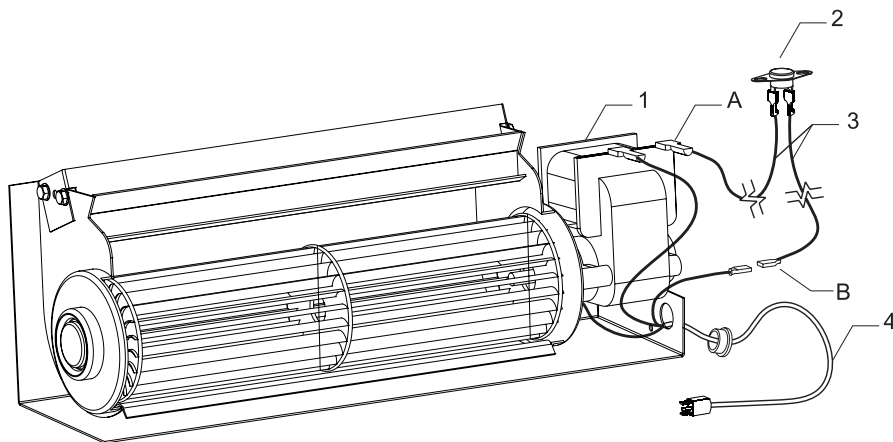


Figure 25



INDEX NO.	PART NO.	DESCRIPTION
1	R7731	Blower Assembly
2	R9901	Fan Control Switch
3	R8147	Wire Assembly
4	R7615	Cord Set

Figure 26

# JUNCTION BOX WIRING INSTALLATION INSTRUCTIONS

## ⚠ CAUTION

All wiring should be done by a qualified electrician and shall be in compliance with all local, city and state building codes. Before making the electrical connection, make sure that main power supply is disconnected. The appliance, when installed, must be electrically grounded in accordance with local codes or, in the absence of local codes, with the national electrical code ansi/nfpa 70 (latest edition)

A factory installed junction box is located on the lower right hand side of the firebox. Wiring must be fed to the junction box and attached to the receptacle that is provided. Remove the knockout in the installed junction box to accept wiring into the junction box. Install a UL listed cable clamp (not supplied) in the knockout hole. Leave approximately 6 inches of wire in the junction box for connection.

Attach black wire to one side of the receptacle and white wire to opposite side of receptacle. The ground wire should be attached to the green (neutral) screw.

Install the receptacle into the junction box. Attach cover plate.

## JUNCTION BOX CONNECTIONS

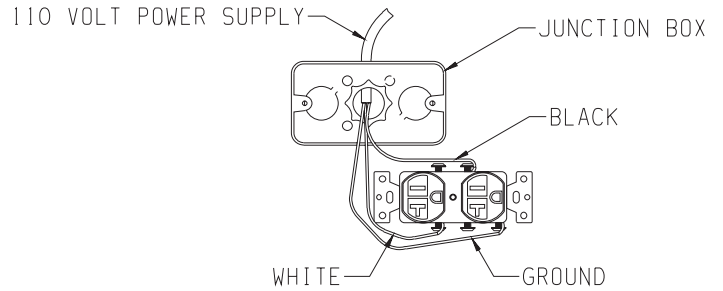


Figure 27

## MAINTENANCE

Keep the control compartment, logs and burner area surrounding the logs clean by vacuuming or brushing area at least twice a year.

THE LOGS CAN GET VERY HOT – HANDLE ONLY WHEN COOL.

Always turn off gas to the pilot before cleaning. For relighting, refer to lighting instructions located on the log set.

Never obstruct the flow of the combustion and ventilation air. Keep the front of the firebox clear of all obstacles and materials.

Screens must be closed during operation.



# MASTER PARTS DISTRIBUTOR LIST

To Order Parts Under Warranty, please contact your local Empire dealer. See the dealer locator at [www.empirecomfort.com](http://www.empirecomfort.com). To provide warranty service, your dealer will need your name and address, purchase date and serial number, and the nature of the problem with the unit.

To Order Parts After the Warranty Period, please contact your dealer or one of the Master Parts Distributors listed below. This list changes from time to time. For the current list, please click on the Master Parts button at [www.empirecomfort.com](http://www.empirecomfort.com). Please note: Master Parts Distributors are independent businesses that stock the most commonly ordered Original Equipment repair parts for Heaters, Grills, and Fireplaces manufactured by Empire Comfort Systems Inc.

## Dey Distributing

1401 Willow Lake Boulevard  
Vadnais Heights, MN 55101

**Phone:** 651-490-9191

**Toll Free:** 800-397-1339

**Website:** [www.deydistributing.com](http://www.deydistributing.com)

**Parts:** Heater, Hearth and Grills

## F. W. Webb Company

200 Locust Street  
Hartford, CT 06114

**Phone:** 860-722-2433

**Toll Free:** 800-243-9360

**Fax:** 860-293-0479

**Toll Free Fax:** 800-274-2004

**Websites:** [www.fwwebb.com](http://www.fwwebb.com) & [www.victormfg.com](http://www.victormfg.com)

**Parts:** Heater, Hearth and Grills

## East Coast Energy Products

10 East Route 36  
West Long Branch, NJ 07764

**Phone:** 732-870-8809

**Toll Free:** 800-755-8809

**Fax:** 732-870-8811

**Website:** [www.eastcoastenergy.com](http://www.eastcoastenergy.com)

**Parts:** Heater, Hearth and Grills

# HOW TO ORDER REPAIR PARTS

## Parts Not Under Warranty

Parts can be ordered through your Service Person, Dealer, or a Master Parts Distributor. See this page for the Master Parts Distributors list. For best results, the **service person or dealer** should order parts through the distributor. Parts can be shipped directly to the **service person/dealer**.

## Warranty Parts

Warranty parts will need a proof of purchase and can be ordered by your Service Person or Dealer. Proof of purchase is **required** for warranty parts.

All parts listed in the Parts List have a Part Number. When ordering parts, first obtain the Model Number and Serial Number from the name plate on your equipment. Then determine the Part Number (**not** the Index Number) and the Description of each part from the following illustration and part list. Be sure to give all this information . . .

Appliance Model Number \_\_\_\_\_ Part Description \_\_\_\_\_

Appliance Serial Number \_\_\_\_\_ Part Number \_\_\_\_\_

Type of Gas (Propane or Natural) \_\_\_\_\_

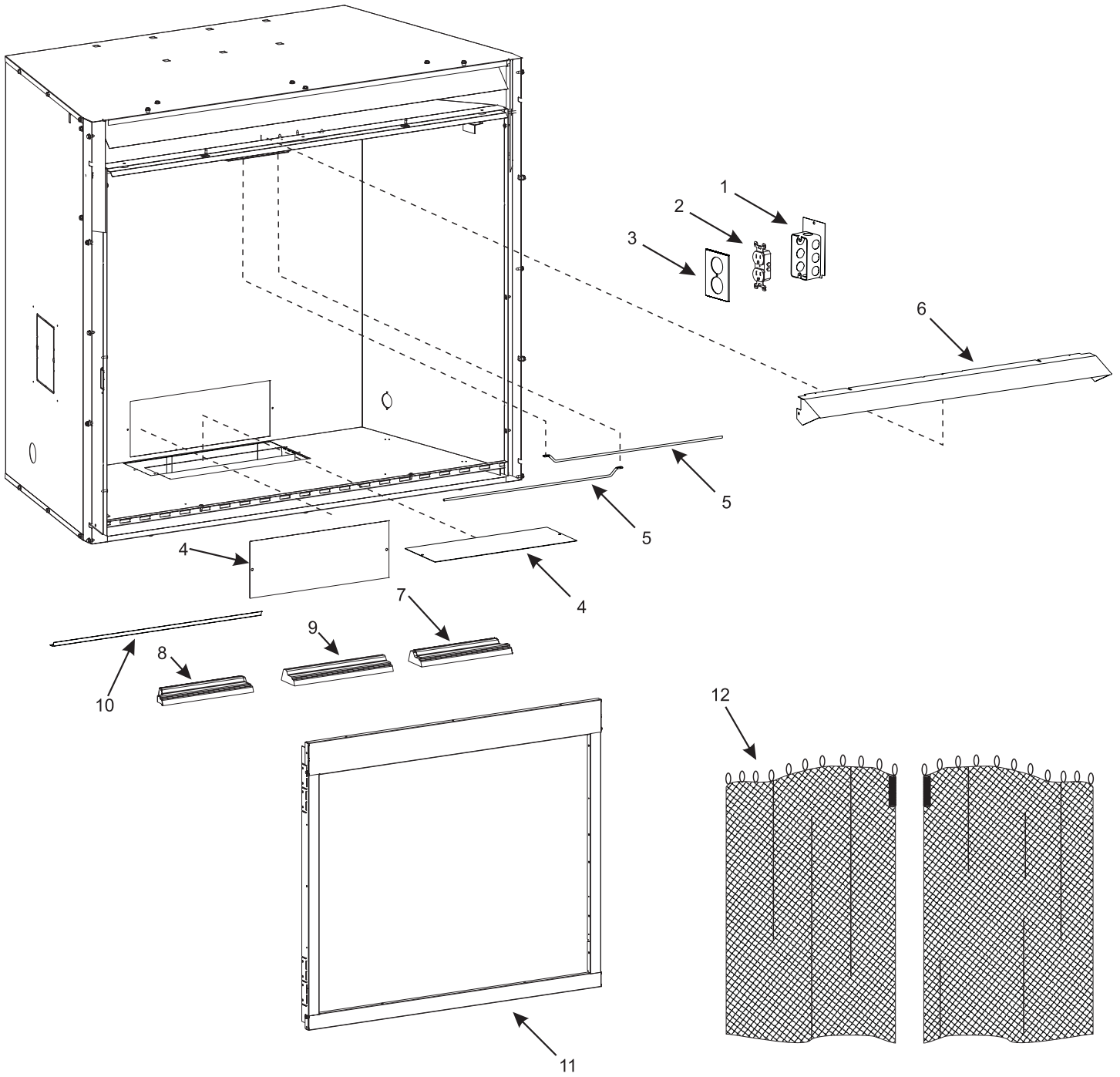
Do not order bolts, screws, washers or nuts. They are standard hardware items and can be purchased at any local hardware store.

Shipments contingent upon strikes, fires and all causes beyond our control.

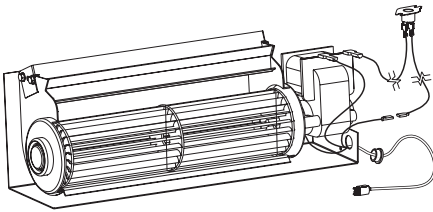
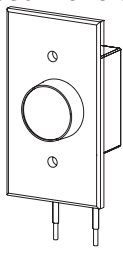
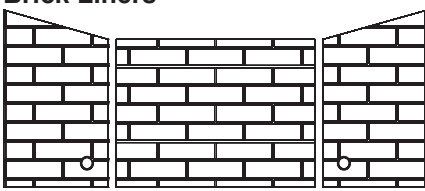
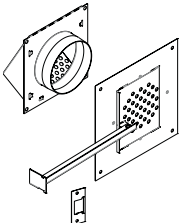
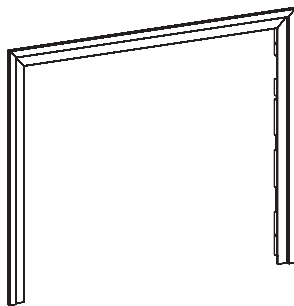

# PARTS LIST

INDEX NO.	PART NO.			DESCRIPTION
	VFS32FB0F	VFS36FB0F	VFS42FB0F	
1	39520	39520	39520	JUNCTION BOX ASSEMBLY
2	R3492	R3492	R3492	RECEPTACLE
3	R3491	R3491	R3491	COVER, JUNCTION BOX
4	38973	38973	38973	BLOWER COVER PLATE (QUANTITY 2)
5	R7051	R7052	R7053	ROD, SCREEN (QUANTITY 2)
6	39517	39518	39519	HOOD
7	R9292	R9292	R9292	HEARTH LEDGE, RIGHT
8	R9293	R9293	R9293	HEARTH LEDGE, LEFT
9	R9294	R9295	R9296	HEARTH LEDGE, CENTER
10	23004	23004	23004	HEARTH RETAINER
11	39509	39510	39511	FACE ASSEMBLY
12	R8213	R8202	R8202	SCREEN CURTAIN

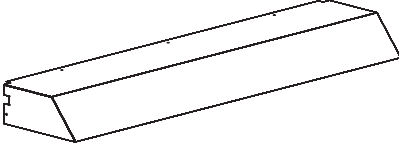
# PARTS VIEW



# ACCESSORIES

Accessory	Description	Model Numbers
<p><b>Fan Kit</b></p> 	<p>Designed to provide forced air flow.</p>	<p>FBB5</p>
<p><b>Variable Speed Control Kit</b></p> 	<p>Wall mounted variable speed control for use with FBB5 blower</p>	<p>SCV-1</p>
<p><b>Brick Liners</b></p> 	<p>Liner for Firebox</p>	<p>Contact dealer for all available optional liner kits</p>
<p><b>Fresh Air Kit</b></p> 	<p>Deluxe and Premium Fireboxes</p>	<p>VFA2</p>
<p><b>Frame Kits</b></p> 	<p>3-Piece Frame Kits Black, Stainless Steel or Hammered Pewter</p>	<p>Contact dealer for all available optional frame kits</p>
<p><b>Standard Hood</b></p> 	<p>Brass hood = BR Stainless Steel = SS Hammered Pewter = HP</p>	<p>Contact dealer for all available optional hood accessories</p>

## ACCESSORIES (CONT'D)

Accessory	Description	Model Numbers
<p><b>Extended 4" Hoods</b></p> 	<p>Extended hoods that extend out 2" farther than the standard hoods, to accommodate thicker surround materials.</p> <p>Available as optional kits in Brass, Hammered Pewter, and Stainless Steel finishes.</p>	<p>Contact dealer for all available optional hood accessories</p>
<p><b>Decorative Door Kits</b></p>	<p>Available as optional kits in Brass, Hammered Pewter, and Stainless Steel finishes.</p>	<p>Contact dealer for all available optional frame kit accessories</p>
<p><b>Decorative Frame Kits</b></p>	<p>Available as optional kits in Brass, Hammered Pewter, and Stainless Steel finishes.</p>	<p>Contact dealer for all available optional decorative door kit accessories</p>

# WARRANTY

Empire Comfort Systems Inc. warrants this hearth product to be free from defects at the time of purchase and for the periods specified below. Hearth products must be installed by a qualified technician and must be maintained and operated safely, in accordance with the instructions in the owner's manual. This warranty applies to the original purchaser only and is not transferable. All warranty repairs must be accomplished by a qualified gas appliance technician.

## **Limited Lifetime Parts Warranty with a Five-Year Limited Labor Warranty – Combustion Chamber and Heat Exchanger**

If the combustion chamber or heat exchanger (see parts list) fails because of defective workmanship or material, Empire will repair or replace at Empire's option. Within five years from the date of purchase, Empire will pay reasonable labor to have the defective part repaired or replaced at Empire's option.

## **Limited Five-Year Parts & Labor Warranty – All Other Components (Except Remote Controls, Thermostats, Accessories and Replacement Parts)**

Should any part fail because of defective workmanship or material within five years from the date of purchase, Empire will repair or replace at Empire's option. Within five years from the date of purchase, Empire will pay reasonable labor to have that defect repaired at Empire's option.

## **Limited One-Year Parts Warranty – Remote Controls, Thermostats, Accessories, and Parts**

Should any remote control, thermostat, accessory, or other part fail because of defective workmanship within one year from the date of purchase, Empire will repair or replace at Empire's option.

## **Duties Of The Owner**

The appliance must be installed by a qualified installer and operated in accordance with the instructions furnished with the appliance. A bill of sale, cancelled check, or payment record should be kept to verify purchase date and establish warranty period. Ready access to the appliance for service.

## **What Is Not Covered**

Damages that might result from the use, misuse, or improper installation of this appliance.  
Travel, diagnostic costs and freight charges on warranted parts to and from the factory.  
Claims that do not involve defective workmanship or materials.  
Unauthorized service or parts replacements.  
Removal and reinstallation cost.  
Inoperable due to improper or lack of maintenance.

## **How To Get Service**

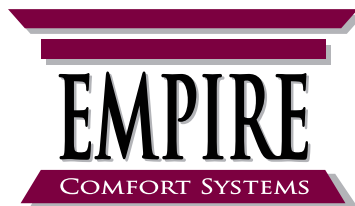
To make a claim under this warranty, please have your receipt available and contact your installing dealer. Provide the dealer with the model number, serial number, type of gas, and purchase verification. The installing dealer is responsible for providing service and will contact the factory to initiate any warranted parts replacements. Empire will make replacement parts available at the factory. Shipping expenses are not covered.

If, after contacting your Empire dealer, service received has not been satisfactory, contact: Consumer Relations Department, Empire Comfort Systems Inc., PO Box 529, Belleville, Illinois 62222, or send an e-mail to [info@empirecomfort.com](mailto:info@empirecomfort.com) with "Consumer Relations" in the subject line.

## **Your Rights Under State Law**

This warranty gives your specific legal rights, and you may also have other rights, which vary from state to state.





**Empire Comfort Systems Inc.  
Belleville, IL**

If you have a general question  
about our products, please e-mail  
us at [info@empirecomfort.com](mailto:info@empirecomfort.com).

If you have a service or repair  
question, please contact your dealer.

SINCE 1932

**[www.empirecomfort.com](http://www.empirecomfort.com)**