

Model: BLZ-4-LP/NG



Features:

- Blaze introduces an affordable commercial style grill that was designed with your outdoor BBQ challenges in mind.
- 4 commercial quality 304 cast stainless steel burners
- 14,000 BTU's of cooking power per burner
- The 10,000 BTU infrared rear burner works great with the optional rotisserie kit for grilling versatility.
- Heavy 8mm stainless steel cooking rods create the ideal cooking surface and product designer sear marks
- Push and turn flame-thrower primary ignition, backup flash tube secondary ignition and cross-tubes ensure a steady, reliable flame with every start
- The stainless steel heat zone separators allow for different cooking zones across the grilling surface. This creates separate zones that can be used for different styles of cooking
- Full-width flame stabilizing grids cover the entire grill surface area to improve flavor, minimize flare-ups, and reduce cold spots
- Full-width drip tray for quick clean up
- The removable warming rack is an ideal place to keep bread and other food heated while you grill

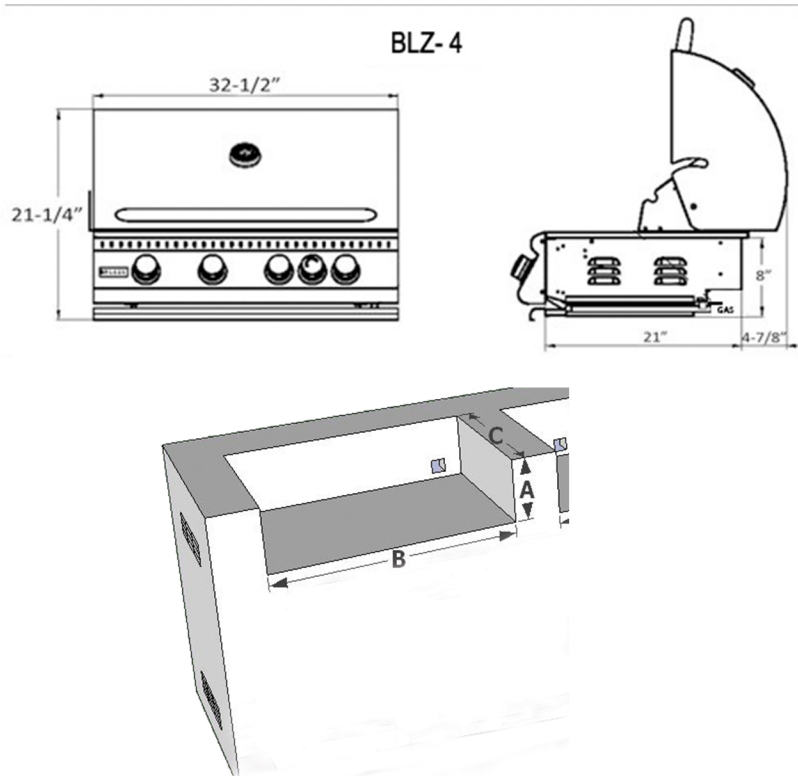


**Blaze Grills offers an impressive
Lifetime Warranty**

Popular Accessories:

- Blaze Smoker Box (BLZ-SMBX)
- Blaze Infrared Burner Upgrade (BLZ-IRN)
- Blaze Pizza Stone (BLZ-PZST)
- Blaze Grill Cover

BLZ-4-LP/NG PRODUCT SPECS



- Overall Dimensions: 21.25" H x 32.5" W x 25.75" D
- Cut Out Dimensions:
(A) 8.5"H x (B) 30.625"W x (C) 21.25"D
- Insulated Jacket Cut Out Dimensions:
(A) 9.625"H x (B) 33"W x (C) 22.25"D

Specifications:

- Configurations: Built-In
- 56,000 BTUs of cooking power

Installation Accessories:

- Insulated Jacket (BLZ-4-IJ)
- Wind Guard (BLZ-WG-32)
- Island Vent (BLZ-ISLAND-VENT)

Safety Precautions:

- Your application will have additional requirements, consult owner's manual for full instructions.
- Ensure your island cavity is adequately vented. Number of vents shown in diagram is for informational purposes only. Consult your local licensed professional for adequate requirements.
- Ensure your outdoor kitchen is constructed out of non-combustible materials.
- If your outdoor kitchen is constructed out of combustible materials, an insulated jacket is REQUIRED.
- Cutout dimensions do not allow for lid clearance or other measurement requirements. Consult the Owner's Manual for specifics.

Important Note to Installer: This file is not intended to replace your Owners' Manual which contains specific safety requirements and consumer guidelines. Please refer to your Owners' Manual prior to installing or operating your built-in grill.