



Built-in

39" Electric Firebox

BF39STP



Unmatched flexibility
and ease of installation.

BF39STP Built-in Firebox includes Purifire® Air Treatment System and patented realistic flame effect. Built-in manual switches – main on/off, heater on/off. Unit may also be wired with separate wall switches (not included) to control flame and Purifire operation, and optional wall thermostat to control the heater.



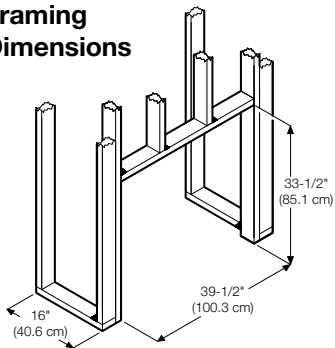
Built-in

39" Electric Firebox

BF39STP



Framing Dimensions



120 V | 1,440 W | 4,915 BTU
 208 V | 2,100 W | 7,170 BTU
 240 V | 2,700 W | 9,220 BTU

Note: please order remote control and/or wall thermostat.

Model #	Description	Lbs / Kg	UPC	Carton Dimensions (WxHxD)		Cube	
				Inches	cm	ft ³	m ³
BF39STP	39" built-in electric firebox	87 / 39.5	781052 045798	17-1/2 x 34-1/2 x 39	44.5 x 87.6 x 99.1	13.6	0.39
Optional Accessories							
BFGLOSS39BLK	Single pane, tamperproof glass door	17.5 / 8	781052 044630	38-1/4 x 24-3/4 x 3-1/4	97.3 x 63 x 8.4	1.8	0.05
BFSDOOR39BLK	Glass swing doors with black accents	17.0 / 7.7	781052 044609	19 x 3-1/4 x 24	48.3 x 8.3 x 61	0.9	0.02
*BFDOOR39BLKSM	Single pane, bi-fold look glass door kit	18 / 8.2	781052 041257	24-3/4 x 3-1/4 x 38-1/4	62.9 x 8.4 x 97.2	1.8	0.05
*BF4TRIM39	4 piece black decorative raised profile trim	6 / 2.7	781052 052956	43 x 4-1/4 x 2-1/2	109.2 x 10.8 x 6.4	0.3	0.01
BFRC-KIT	3-stage remote control kit	1.1 / 0.5	781052 040687	6 x 6 x 7	15.2 x 15.2 x 17.8	0.1	0.00
WRCPF-KIT	Wall switch remote control	1.5 / 0.7	781052 056787	6-3/8 x 5-1/2 x 3-1/4	16.2 x 14.1 x 8.1	0.1	0.00
BFPLUGE	Plug kit	0.6 / 0.3	781052 040748	6-3/4 x 6-1/2 x 6-3/4	17.1 x 16.5 x 17.1	0.2	0.00
TS521W	Wall thermostat - white	0.5 / 0.2	781052 042407	2-3/4 x 4-3/4 x 2	7.2 x 12.3 x 5.0	0.0	0.00

Specifications, finishes and dimensions are subject to change. *Limited warranty. ©2015 Dimplex North America Limited.

Features

- Flame**
A blend of technology, artistry and craftsmanship – the patented Dimplex flame technology creates the illusion of a true fire.
- Realistic Logs**
Logs molded from actual wood glow in concert with the flames creating the most realistic fireplace experience.
- Supplemental Heat**
Includes a powerful fan-forced heater designed to keep the rooms you spend the most time in warm and comfortable. Reduce your central furnace temperature and cut your heating costs!
- Purifire® Air Treatment System**
Breathe easy with the world's first integral air filtering system.
- Direct-wire**
Designed to be direct-wired to a 120 or 240 volt circuit for a seamless look. (Optional plug kit available).
- Options**
Door kits, trim kits and control options available.
- Year-round Enjoyment**
Enjoy the ambiance of the flame with or without the heater for year-round enjoyment.
- Economical**
Economical to operate. Costing only pennies per hour.*
- Green**
The green alternative. No harmful particulates or emissions and 100% efficient.
- Safe**
Front glass stays cool, making it safe to touch.
- Instant Ambiance**
Plugs into any standard household outlet.

*Based on national average residential electricity rate. Rates vary.