

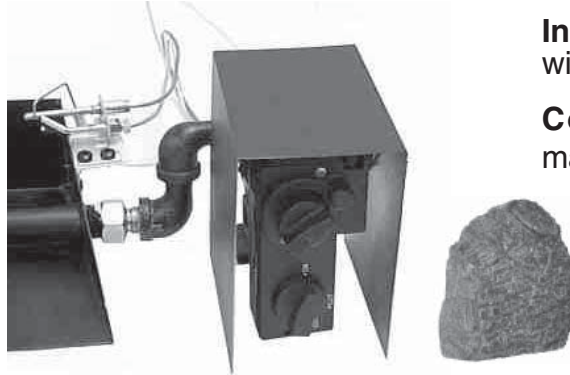
**AUTOMATIC REMOTE
LIGHTING SAFETY PILOT SYSTEM WITH
VARIABLE FLAME-HEIGHT REMOTE
FOR NATURAL OR PROPANE GAS**

FEATURES:

- CONTROL OPERATED ON/OFF •
- VARIABLE FLAME-HEIGHT REMOTE •
- VARIABLE FLAME HEIGHT CONTROL •

SUITABLE FOR THE FOLLOWING BURNERS:

- PAN BURNERS (P-SERIES) •
- G4 SERIES BURNERS •
- G45 SERIES BURNERS •



Installer: Leave this manual with the consumer.

Consumer: Retain this manual for future reference.

MODEL APK-15(P) WITH VR-1A REMOTE

FOR USE WITH PETERSON GAS LOG SETS ONLY

INSTALLER & CONSUMER

These instructions **MUST** be retained with this appliance

WARNING

If the information in this manual is not followed exactly, a fire or explosion may result, causing property damage, personal injury, or loss of life.

- Do not store or use gasoline or other flammable vapors and liquids in the vicinity of this or any other appliance.

WHAT TO DO IF YOU SMELL GAS:

- Open a window.
- Do not try to light any appliance.
- Do not touch any electrical switch; do not use any phone in the building.
- Immediately call the gas supplier from a neighbor's phone. Follow the gas supplier's instructions.
- If you cannot reach the gas supplier, call the fire department.
- **Installation and service must be performed by a qualified installer, service agency, or the gas supplier.**

Important: Read these instructions carefully before starting installation.

**BE SURE DAMPER IS FULLY OPEN
WHEN OPERATING THE LOG SET**

PETERSON VENTED GAS LOG SETS ARE TO BE OPERATED ONLY IN A FULLY VENTED, NONCOMBUSTIBLE FIREPLACE WITH DAMPER AND CHIMNEY FREE OF ANY OBSTRUCTIONS. THE FIREPLACE MUST BE DESIGNED AND APPROVED TO BURN WOOD. Like burning natural firewood, the Peterson log set is designed to burn with a yellow, smoky flame. For this reason, it must be adequately vented. Be sure the fireplace damper is fully open when you burn the gas log set. The smallest dimension of the chimney flue must be at least 8". If it is smaller, **DO NOT USE A PETERSON LOG SET.** If fumes from the burner emerge into the room when the damper is fully open, creating a smell like a smoldering oil lamp, it indicates that the fireplace draft is defective. Check chimney flue for obstructions. **DO NOT OPERATE LOGS UNTIL THE FIREPLACE DRAFT IS CORRECTED.** Check with your dealer or installer. Do not use firewood with this unit.

This safety pilot system contains a control certified by C.S.A.

IMPORTANT INFORMATION

The installation, including provisions for combustion and ventilation air, must conform with local codes or, in the absence of local codes, with the National Fuel Gas Code, ANSI Z223.1 (latest edition).

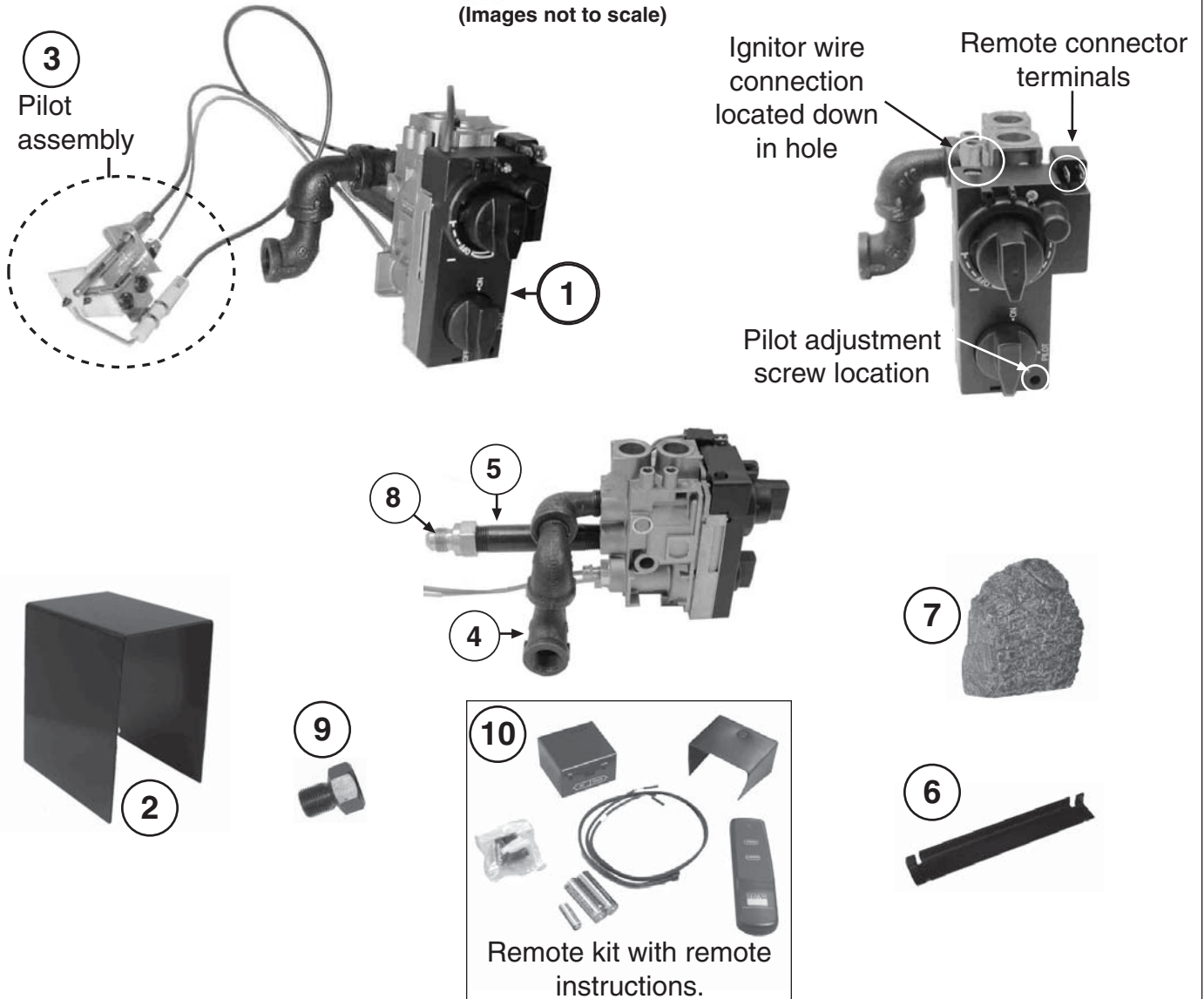
This appliance and its individual shutoff valve must be disconnected from the gas supply piping system when testing at pressures exceeding 1/2 psig. Do this by closing the gas supply valve, required by NFPA 54.

This appliance must be isolated from the gas supply piping system by closing its individual manual shutoff valve during any testing of the gas supply system at test pressures up to and including 1/2 psig.

WHEN GLASS FIREPLACE ENCLOSURES (DOORS) ARE USED, OPERATE THE GAS LOG SET WITH THE GLASS DOORS OPEN; BOTH SIDES IF FIREPLACE IS SEE-THRU TYPE.

PARTS LIST

(Images not to scale)



Item No.	Description
----------	-------------

1.	Safety pilot valve (natural gas) or Safety pilot valve (propane gas)
2.	Heat shield (fits over valve)
3.	Pilot assembly (natural gas) or Pilot assembly (propane)
4.	Street elbow 3/8" (black)

Item No.	Description
----------	-------------

5.	Nipple, 3/8" x 3 1/2" (black)
6.	Flame diverter bracket
7.	Wood chip
8.	Adaptor
9.	Fuel injector (natural) or air mixer (propane)
10.	VR-1A Remote kit

HOW TO INSTALL YOUR APK-15(P) SAFETY PILOT SYSTEM

This safety pilot system must be installed by a qualified professional installer or the gas supplier. Installer: Follow instructions carefully to ensure safety and the proper performance of the safety pilot system and gas log set.

These instructions must be used as a supplement to the instructions supplied with your Peterson gas log set. Follow the gas log set instructions and make adjustments as appropriate for the addition of a safety pilot system. Use gas pipe sealing compound that is resistant to all gases, or Teflon tape, and apply to all male pipe connections except brass compression fittings. Make sure that all connections are tight.

Note: On 24" & 30" burners, remove existing fuel injector and replace with the supplied air injector.

CONNECTING THE APK-15(P) TO THE BURNER (STANDARD)

1. Follow the instructions supplied with your Peterson gas log set for proper burner placement.
2. Connect the $\frac{3}{8}$ " street elbow (PARTS LIST item 4) to the fuel injector or air mixer supplied with your burner. Be sure all connections are tight.
3. The APK-15(P) valve should be angled slightly upwards to allow for the burner pan to sit flush against the fireplace floor.
4. To connect the APK-15(P) to the gas supply, the CK-4 connector kit and its component parts will be needed, which are included with your burner system.
5. Attach the hearth elbow to the gas supply stub in your fireplace. Use Teflon tape or pipe compound on the stub. Tighten securely.
6. Attach the smaller connector elbow to the nipple on the APK-15(P) control valve. Use Teflon tape or pipe compound. Tighten securely.
7. Connect the hearth elbow to the connector elbow with aluminum tubing. Tighten both ends securely.

Test for leaks at all connections with soapy water solution. **Never use an open flame to check for leaks.**

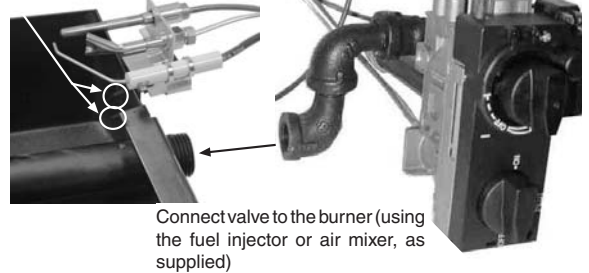
INSTALLING THE FLAME DIVERTER BRACKET

The flame diverter bracket, when properly installed onto Peterson burner pans equipped with a safety control system, will promote quicker ignition of your Peterson gas log set and protect the safety control system from overheating.

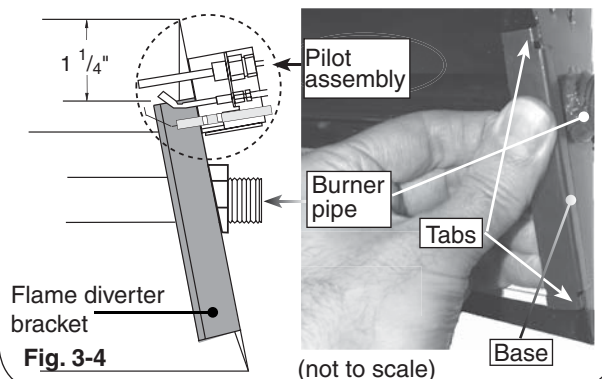
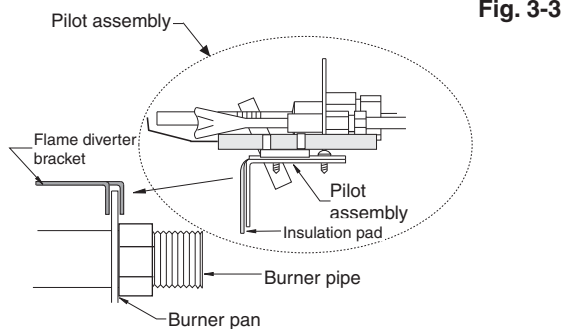
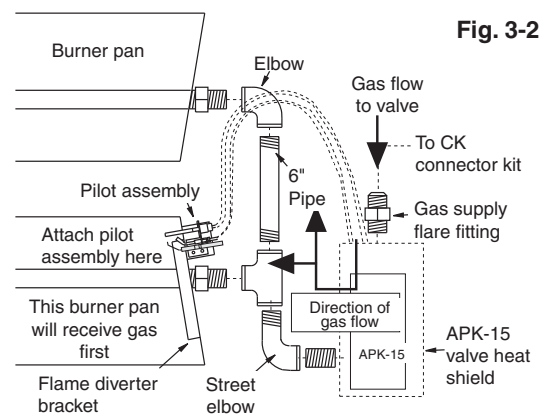
8. **Install the flame diverter bracket before installing the pilot assembly.**
9. Place the flame diverter bracket (see PARTS LIST Item 6) over the side edge of the burner pan where the pilot bracket will be attached so that the tabs are inside the burner pan and the rest of the bracket base is on the outside (see Fig. 3-4 photo). The bracket should be placed approximately $1\frac{1}{4}$ " from the back of the burner pan (see Fig. 3-4 drawing).

CAUTION: Be careful not to kink the pilot supply tube or thermocouple.

Fasten pilot assembly to the side of the burner pan with 2 X #10 screws



Connect valve to the burner (using the fuel injector or air mixer, as supplied)



HOW TO INSTALL THE APK-15(P) SAFETY PILOT SYSTEM (CONT.)

CAUTION: Keep granules and all foreign objects away from pilot burner assembly.

CAUTION: Route the pilot supply tube and thermocouple lead as required so that they curve gradually. DO NOT KINK.

INSTALL THE PILOT ASSEMBLY TO THE BURNER

Refer to the PARTS LIST when following these instructions.

GLOWING EMBER - G4, GX4, and G45 SERIES

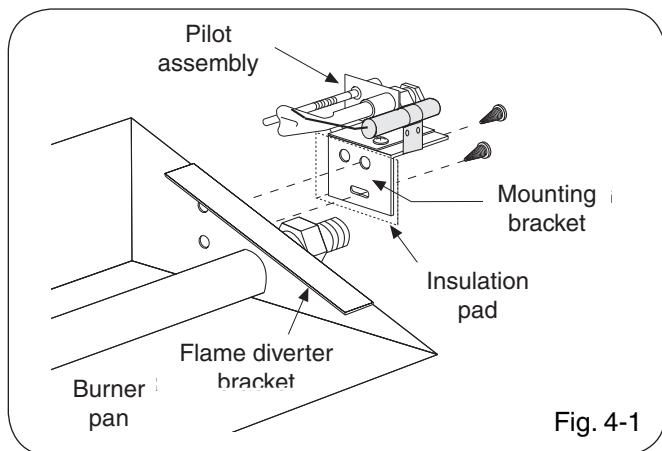


Fig. 4-1

1. Attach the mounting bracket to the pilot assembly with the screws provided.

Note: The bracket and pilot assembly are shown attached in the above illustration.

2. Carefully bend the thermocouple lead and the pilot gas supply line so the pilot assembly is positioned as illustrated above.
3. **Place the insulating pad** between the bracket and the pan. Insert the screws through the pilot bracket and the holes in the end of the pan.

FLAME PAN - P SERIES

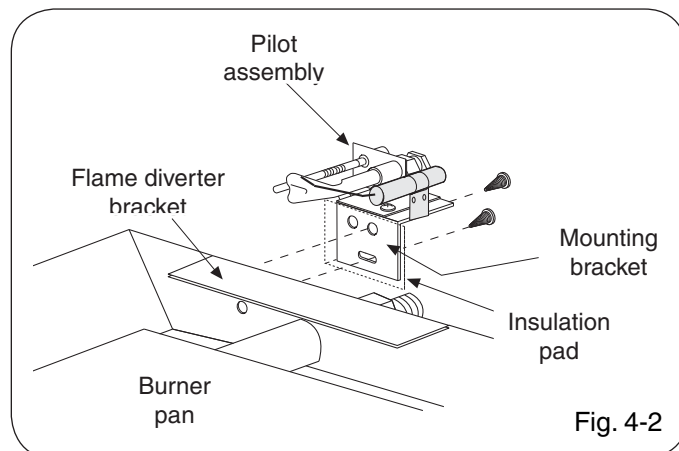


Fig. 4-2

1. Attach the mounting bracket with the screws provided to the pilot assembly as illustrated above.

Note: The bracket and pilot assembly are shown attached in the above illustration.

2. Carefully bend the thermocouple lead and the pilot gas supply line so the pilot assembly is positioned at end of the pan as illustrated.
3. **Place the insulating pad** between the bracket and the pan. Insert the screws through the pilot bracket and the holes in the end of pan.

CONNECT THE REMOTE RECEIVER TO THE APK-15(P) VALVE

Turn the ignitor control knob is in the **OFF** position.

1. The APK-15(P) receiver has two female connector clips attached to the leads; one large and one small. Connect the female connector clips to the corresponding male connector terminals (one large, one small) on the APK-15(P) valve. The male connector terminals are located on the front upper right hand corner of the valve (Fig. 4-3).

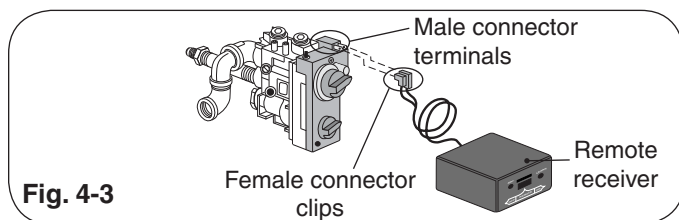


Fig. 4-3

2. Place the receiver on the hearth, outside the fireplace, with the switch facing forward.

Note: It is recommended to place the receiver as far from the gas log set as possible.

HEAT SHIELD PLACEMENT

Cover the APK-15(P) safety valve with the heat shield (PARTS LIST item 2) as shown in Fig. 4-4.

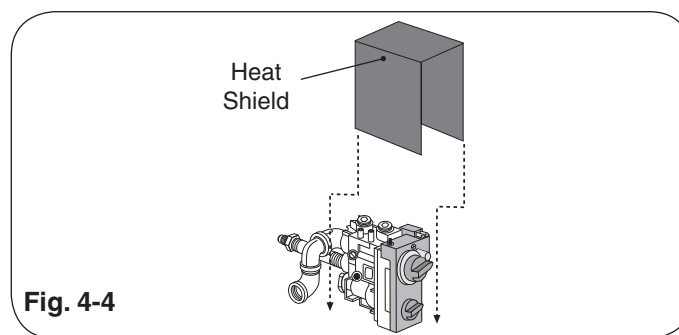


Fig. 4-4

WOOD CHIP PLACEMENT

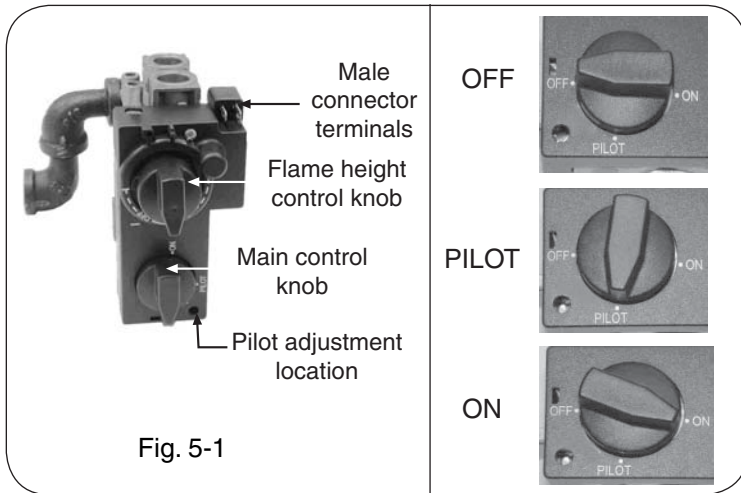
The designer wood chip (PARTS LIST Item 7) is provided for aesthetics and does not affect operation of the APK-15(P). The wood chip should be placed in front of the valve, with at least 1" between the wood chip and the valve.

CAUTION: The wood chip may be HOT during and directly after operation of the gas log set.

APK-15(P) OPERATING INSTRUCTIONS

HOW TO LIGHT THE PILOT

1. To light the pilot, turn the control knob (see Fig. 5-1), from the **OFF** position, counter-clockwise towards **PILOT** until reaching stop. Press the control knob in and hold for 5 seconds (only pilot gas will flow).
2. Continue pressing in and manually light the pilot using a long neck butane lighter or long match. Continue to hold the main control knob in for 10 seconds after the pilot has been lit. If the pilot does not light, steps A and B can be immediately repeated.
3. After lighting, release the main control knob and turn to the **ON** position. If the pilot does not stay lit, turn the main control knob to the full **OFF** I. Wait five minutes and repeat lighting instructions.



HOW TO OPERATE THE APK-15(P)

Your gas log set with the APK-15(P) has options which allow you to turn your gas log set ON, control flame height and to turn your gas log set OFF.

MANUAL OPERATION ON THE VALVE

1. **Turning ON your gas log set:**
 - a. With the pilot lit, turn the flame height control knob towards **ON** (counterclockwise ↶); see Fig. 5-2.
 - b. Adjust the flame height control knob to the desired flame height and heat output.
2. **Turning OFF your gas log set:**
 - a. Turn the flame height control knob towards **OFF** (clockwise ↷) until fully reaching stop (Fig. 5-3). The pilot flame will remain lit.
 - b. For full shut-down, turn the main control knob towards **OFF** (clockwise ↷) until reaching stop. Press down slightly and continue turning towards **OFF** from the **PILOT** position to the **OFF** position. **The pilot will be extinguished.**

For remote lighting, see the remote kit instructions.

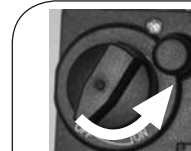


Fig. 5-2

For manual control, turn flame height control knob counterclockwise to increase flame height.

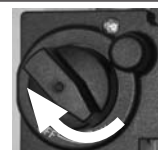


Fig. 5-3

For manual control turn flame height control knob clockwise to decrease flame height.

TROUBLESHOOTING THE APK-15(P) SAFETY PILOT KIT

PROBLEM	CAUSE	SOLUTION
1. Pilot will not light.	<ol style="list-style-type: none"> a. Obstruction in pilot gas supply/pilot gas supply line is kinked. b. Inadequate gas supply. c. Air in line. 	<ol style="list-style-type: none"> a. Clear out obstruction. Replace pilot gas supply line if kinked. b. Have gas pressure checked by installer or gas supplier. c. Air should clear, attempt to relight.
2. Pilot will not stay lit after releasing knob.	<ol style="list-style-type: none"> a. Thermocouple connection to valve either too tight or too loose. b. Bad thermocouple. 	<ol style="list-style-type: none"> a. Thermocouple should be finger tight and then 1/8" turn with a wrench. b. Replace thermocouple.
3. Log set extinguishes a few minutes after lighting.	<ol style="list-style-type: none"> a. Inadequate gas supply causes pilot flame to reduce after burner lights. 	<ol style="list-style-type: none"> a. Using pilot adjustment, increase gas to pilot. Pilot flame must be in contact with the thermocouple tip.
4. Log set extinguishes after burning for some time (approximately 10 minutes to 1 hour).	<ol style="list-style-type: none"> a. Thermocouple has overheated; glass doors are closed. b. Thermocouple has overheated; insulation pad is not in place. c. Thermocouple has overheated; burner flames are heating the thermocouple cold junction. 	<ol style="list-style-type: none"> a. Be sure glass doors are open during operation. b. Be sure that the insulation pad is in place between the burner pan and the pilot bracket. c. Be sure the pilot assembly and the flame diverter are in their proper position. Rearrange logs so that flame is not deflected to the thermocouple.
5. Valve will not turn "OFF" with remote.	<ol style="list-style-type: none"> a. Valve over heated. b. Low batteries. 	<ol style="list-style-type: none"> a. Ensure that the valve heat shield is properly placed and no gas leaks are present at the valve gas fittings. b. Replace batteries in remote receiver.

WARRANTY

PETERSON VENTED DECORATIVE GAS APPLIANCE LIMITED WARRANTY

Robert H. Peterson Co. ("RHP") warrants your Real Fyre® vented decorative gas appliance to be free from defects in material and workmanship.

Peterson vented gas logs are warranted for **as long as you own them (lifetime)**.

Peterson vented burner assemblies are **WARRANTED for TEN (10) YEARS**. Peterson vented outdoor stainless-steel burner assemblies are warranted for **FIVE (5) YEARS**.

Peterson glass, gems, nuggets are warranted for **FIVE (5) YEARS**.

SPK-26 controls are warranted for **THREE (3) YEARS**.

APK-17 controls (including -17 valve) are warranted for **TWO (2) YEARS**.

All other Peterson valves, pilots, and controls are warranted for **ONE (1) YEAR (excluding batteries)**.

A COPY OF YOUR SALES SLIP FOR PROOF OF PURCHASE IS REQUIRED

This warranty applies to the original purchaser for products installed in the United States or Canada and operated and maintained as intended for single family residential usage. It commences on the date of purchase and is valid only with proof of purchase.

This warranty **does not** cover components becoming defective through negligence, misuse, use not in compliance with the Installation & Owner's Manual, accidental damage, improper handling, improper storage, improper installation, lack of required routine maintenance (as specified in the Installation & Owner's Manual), electrical damage, local gas impurities or failure to protect against combustibles. Product must be installed (and gas must be connected) as specified in the Installation & Owner's Manual by a **qualified professional installer**. Modifications which are not specifically authorized will void this warranty. Accessories, parts, valves, remotes, etc when used must be Peterson product or warranty is void. Warrantied items will be repaired or replaced at Peterson's sole discretion.

This warranty **does not** apply to rust, corrosion, oxidation, or discoloration unless the affected component becomes inoperable. This warranty **does not** cover labor or labor related charges.

This warranty specifically excludes liability for **indirect, incidental, or consequential** damages. Some states and provinces do not allow the exclusion or limitation of incidental or consequential damages, so the above exclusion may not apply to you. This warranty gives you specified legal rights, and you may have other rights that vary from state to state or province.

For additional information regarding this warranty, or to place a warranty claim, contact the R. H. Peterson dealer where the product was purchased.

**TO REGISTER YOUR PRODUCT ONLINE GO TO: WWW.RHPETERSON.COM,
AND CLICK ON PRODUCT REGISTRATION. THANK YOU FOR YOUR PURCHASE.**

Quality Check			Date: _____		
Burner Orifices	Nat.	L.P.	Leak Test: _____	Model#:	_____
Main:	_____	_____	Burn Test: _____	Serial#:	_____
Other:	_____	_____	Gas Type: <u>Nat. / L.P.</u>	Air Shutter:	_____
				Inspector:	_____